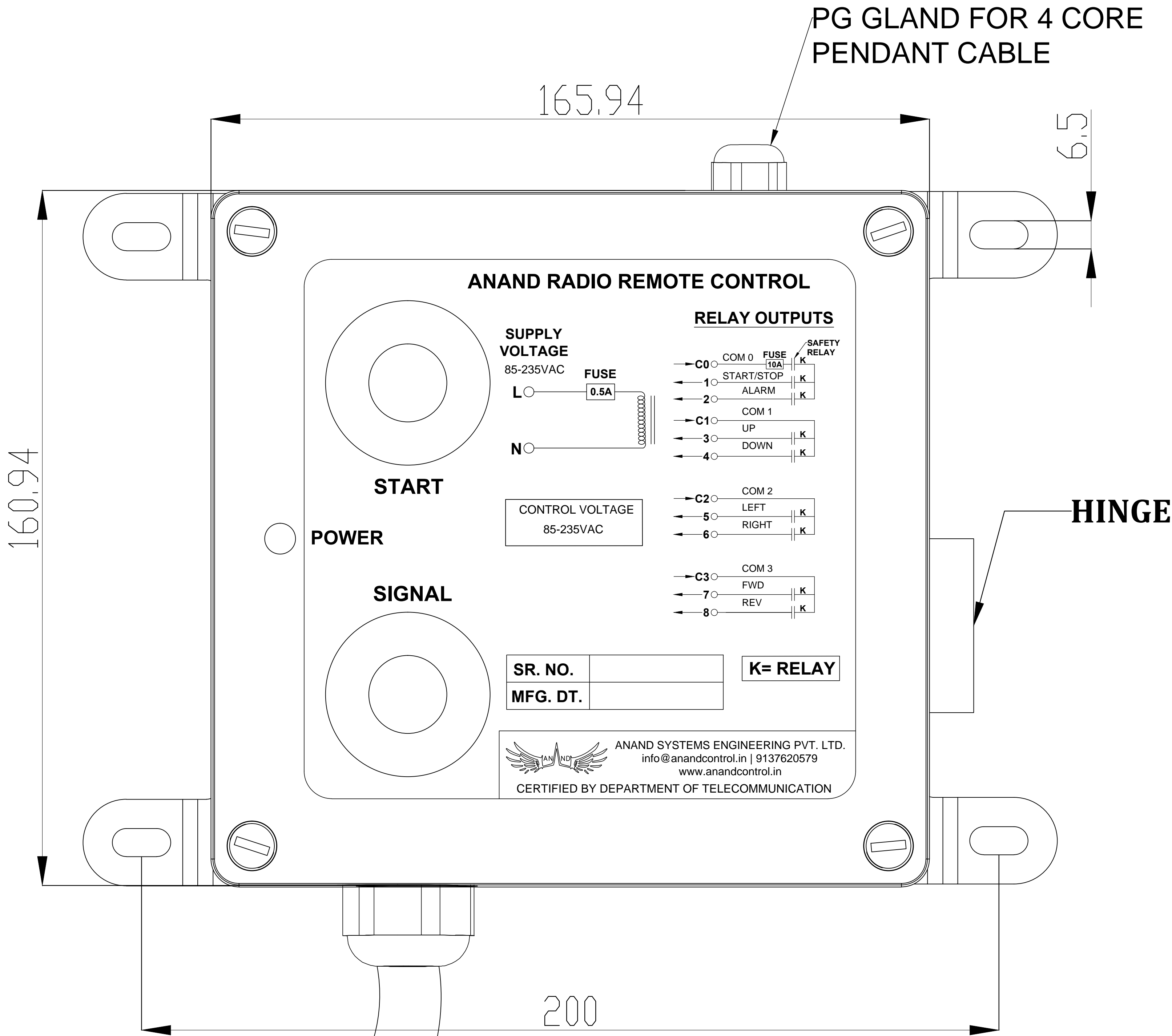
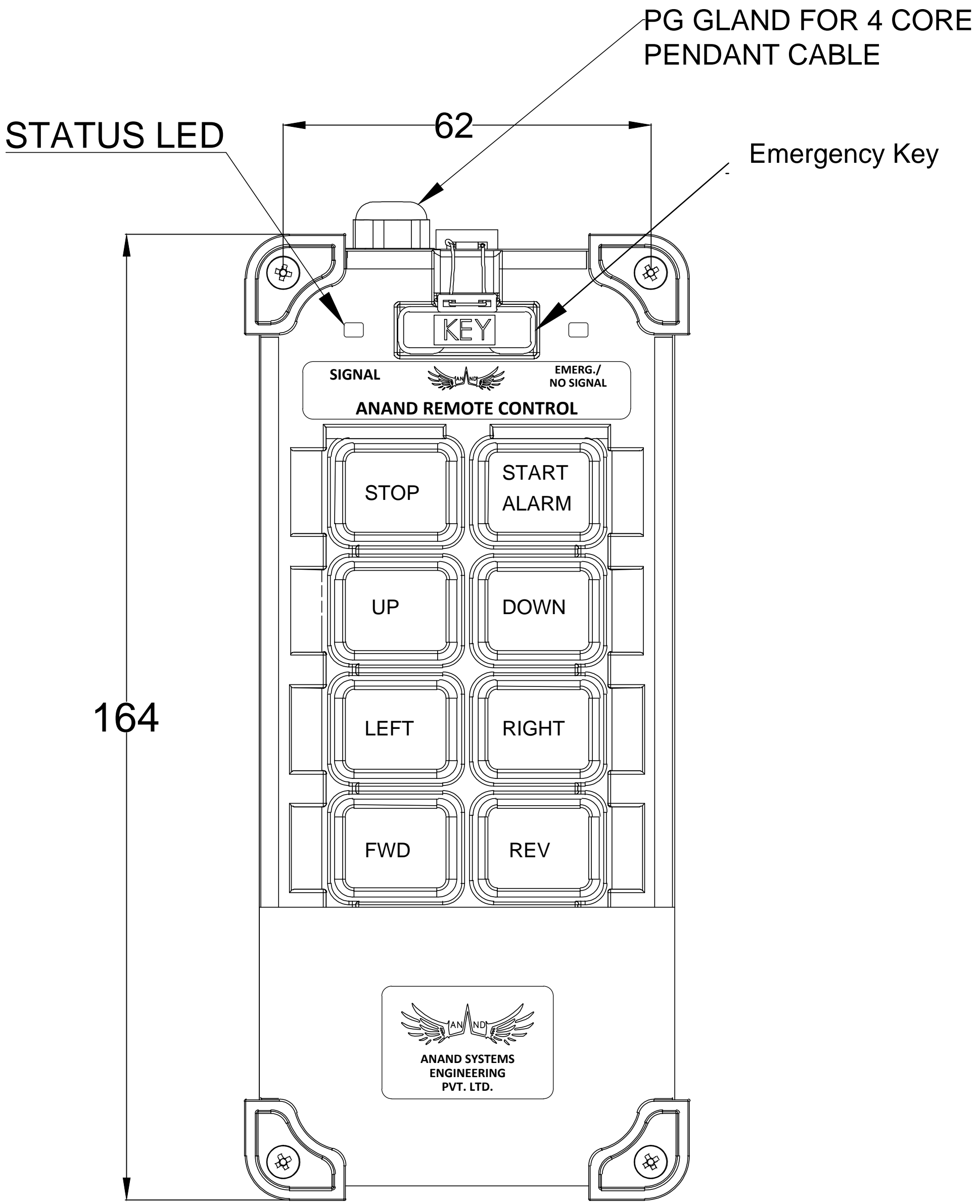


# GA DRAWING

|                     |     |
|---------------------|-----|
| NO. OF RELAYS       | 9   |
| NO. OF PUSH BUTTONS | 8   |
| SAFETY TIMER        | YES |



## RECEIVER



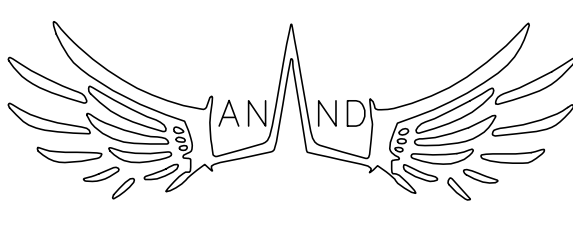
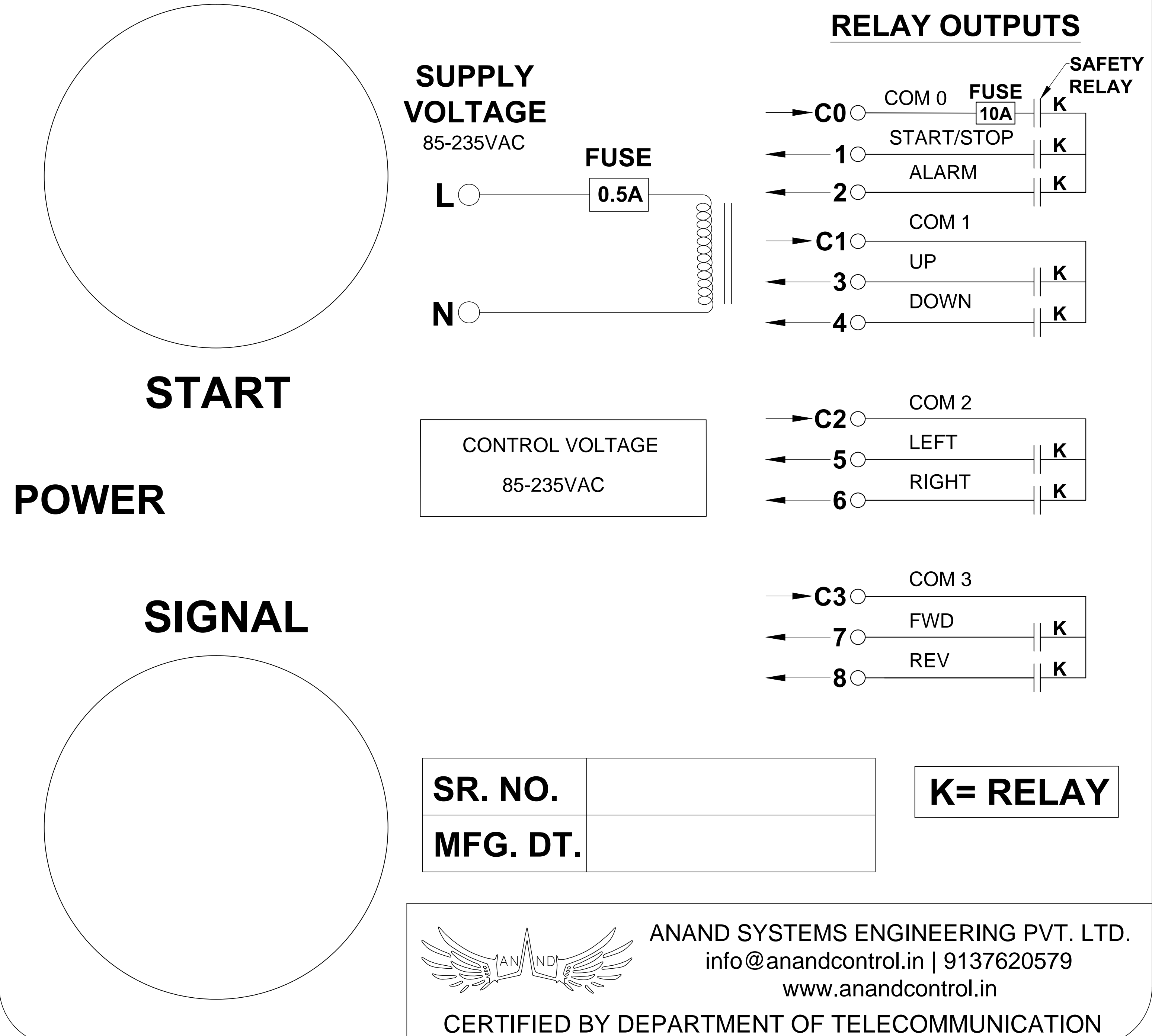
## PENDANT

TO CLIENT:

|  |       |            |                          |
|--|-------|------------|--------------------------|
| <b>ANAND SYSTEMS ENGINEERING PVT. LTD.</b> |       |            |                          |
| MUMBAI- 400 072.                           |       |            |                          |
| Prepared by                                | vivek | 23-03-2024 | TITLE:                   |
| Checked by                                 |       |            | 8 BUTTON 1 SPEED PENDANT |
| Approved by                                |       |            |                          |
| REV.                                       | SIZE  | MODEL:-    | SCALE: 1:2               |
| R0   | A4    | APC-801    | SHEET: 1 OF 2            |
| Ref. Drawing No.: SL NO- ASE-22-           |       |            | Cad file:                |

# WIRING DIAGRAM

## ANAND RADIO REMOTE CONTROL



ANAND SYSTEMS ENGINEERING PVT. LTD.  
 info@anandcontrol.in | 9137620579  
 www.anandcontrol.in

CERTIFIED BY DEPARTMENT OF TELECOMMUNICATION

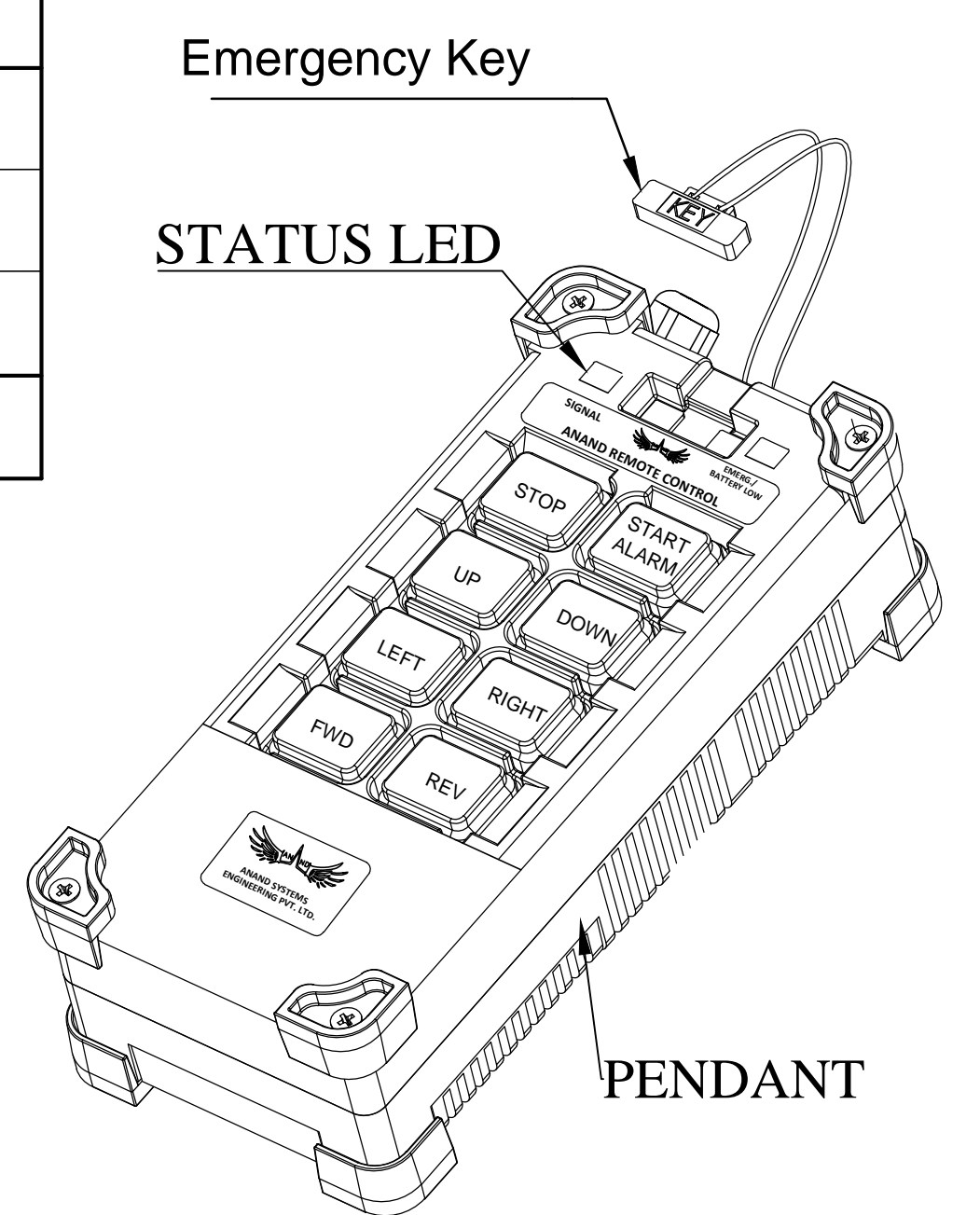
## PUSH BUTTON - RELAY MAP

| PUSH BUTTON | RELAY ON |
|-------------|----------|
| START/STOP  | 0,1      |
| ALARM       | 2        |
| UP          | 3        |
| DOWN        | 4        |
| LEFT        | 5        |
| RIGHT       | 6        |
| FWD         | 7        |
| REV         | 8        |

## INTERLOCK

| MOTION                          |
|---------------------------------|
| STOP ALONG WITH START ALARM KEY |
| UP ALONG WITH DOWN KEY          |
| LEFT ALONG WITH RIGHT KEY       |
| FWD ALONG WITH REV KEY          |

## EMERGENCY



## TO CLIENT:

| ANAND SYSTEMS ENGINEERING PVT. LTD. |       |            |                          |
|-------------------------------------|-------|------------|--------------------------|
| MUMBAI- 400 072.                    |       |            |                          |
| Prepared by                         | vivek | 23-03-2024 | TITLE:                   |
| Checked by                          |       |            | 8 BUTTON 1 SPEED PENDANT |
| Approved by                         |       |            |                          |
| REV.                                | SIZE  | MODEL:-    | SCALE: 1:2               |
| R0                                  | A4    | APC-801    | SHEET: 2 OF 2            |
| Ref. Drawing No.: SL NO- ASE-22-    |       |            | Cad file:                |