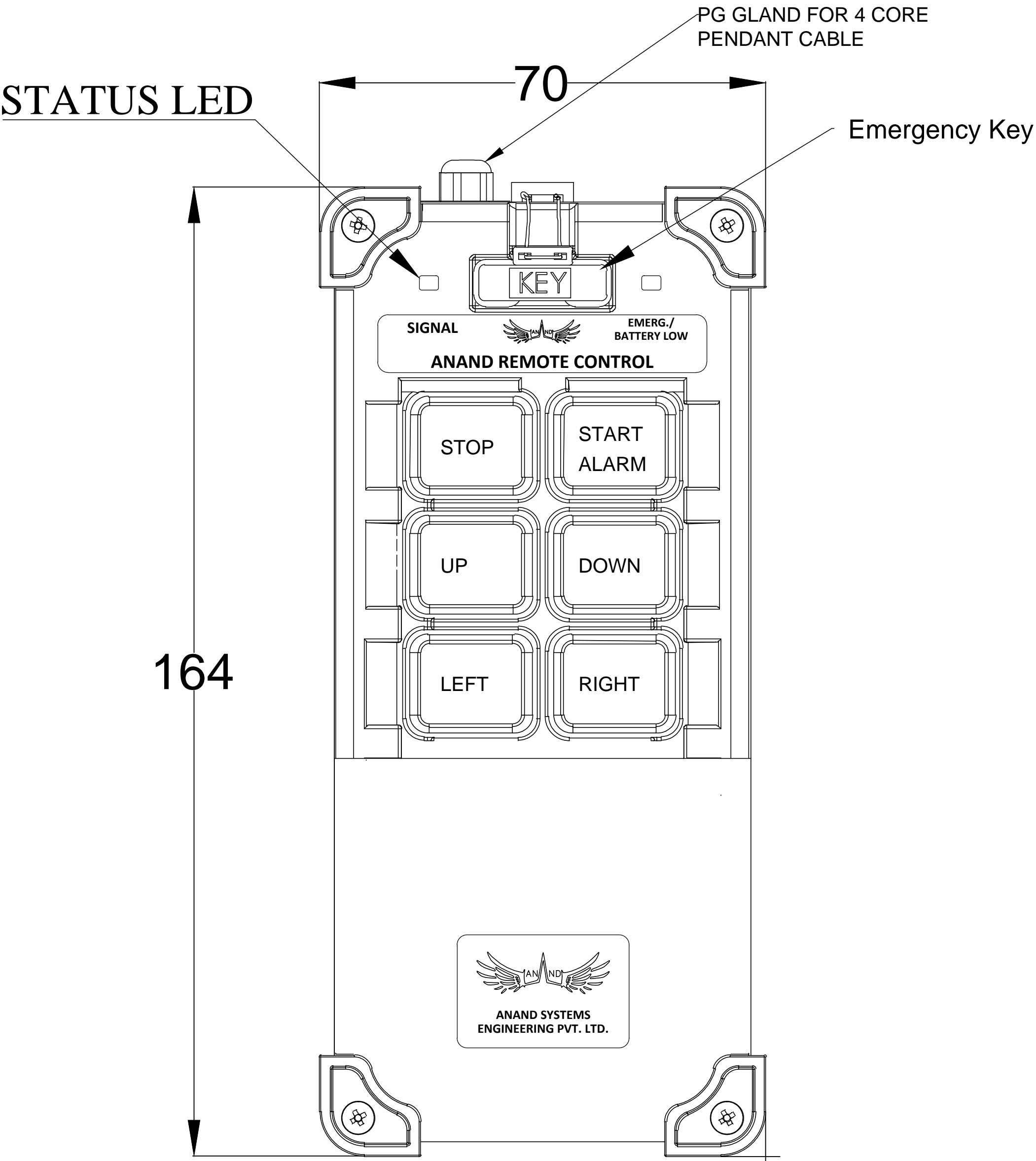
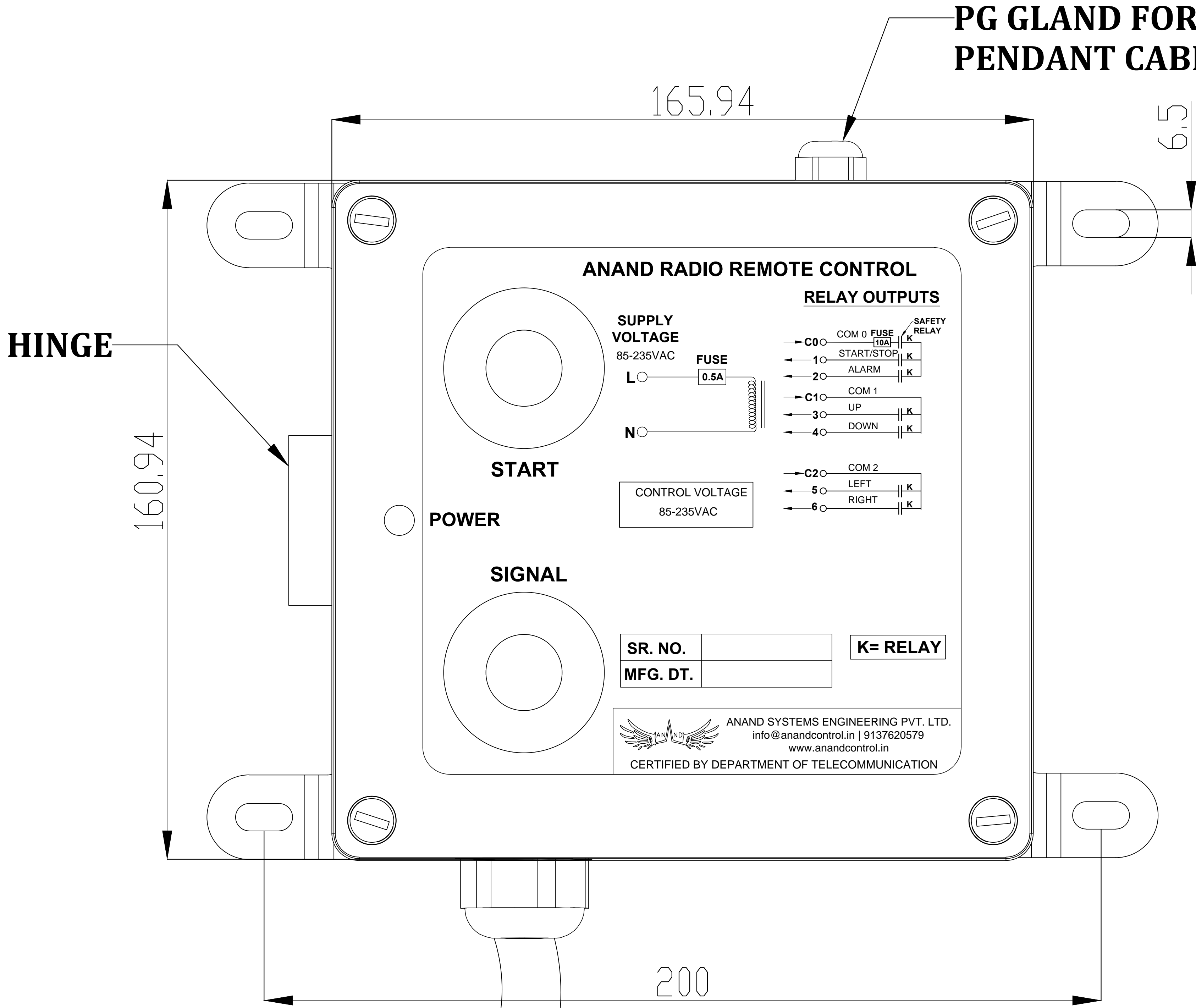


# GA DRAWING

NO. OF RELAYS	7
NO. OF BUTTONS	6
SAFETY RELAY	YES

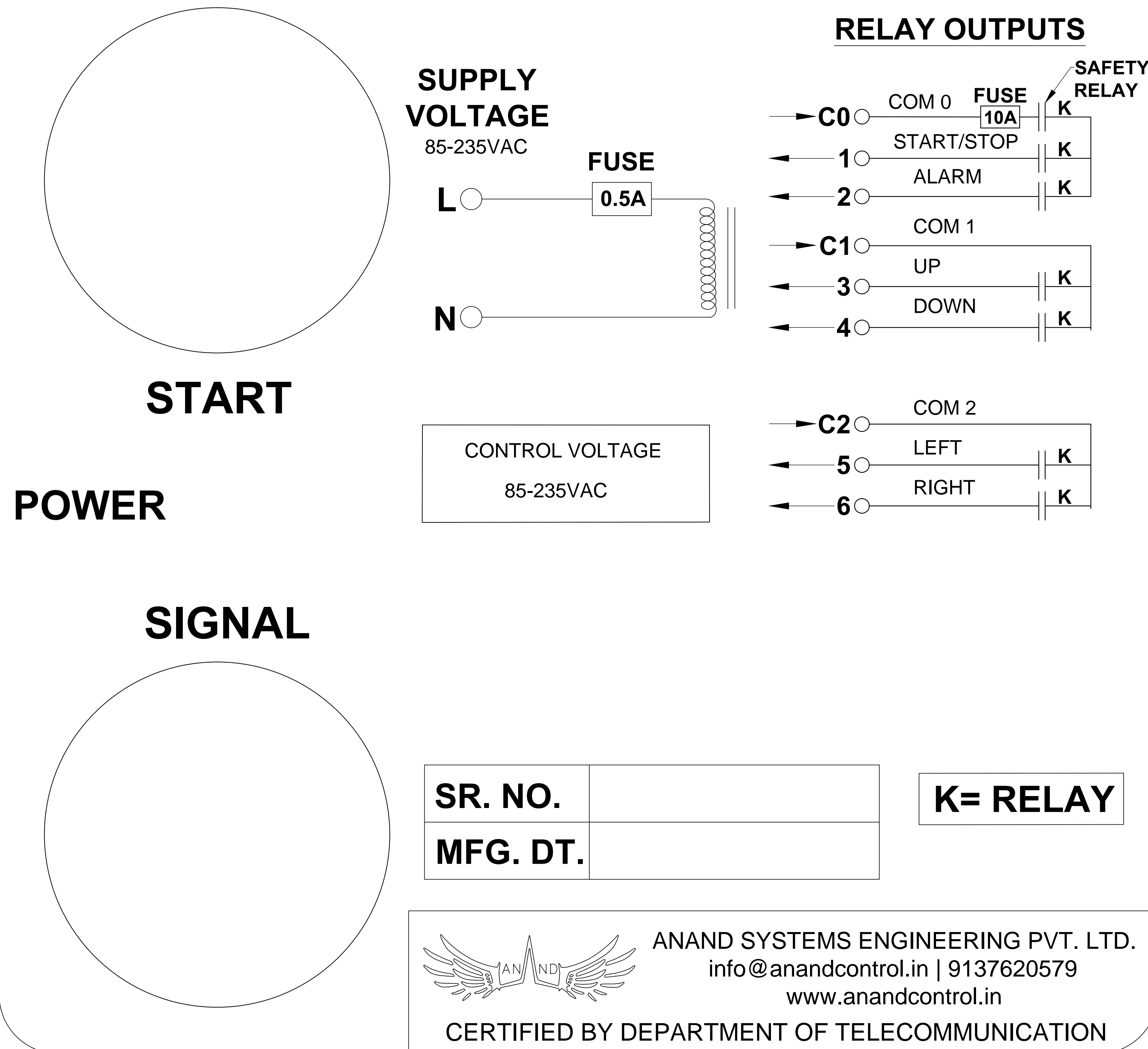


TO CLIENT:

<b>ANAND SYSTEMS ENGINEERING PVT. LTD.</b>			
MUMBAI- 400 072.			
Prepared by	vivek	23-03-2024	TITLE:
Checked by			6 BUTTON 1 SPEED PENDANT
Approved by			
REV.	SIZE	MODEL:-	SCALE: 1:2
R0	A4	APC-601	SHEET: 1 OF 2
Ref. Drawing No.: SL NO-			Cad file:

# WIRING DIAGRAM

## ANAND RADIO REMOTE CONTROL

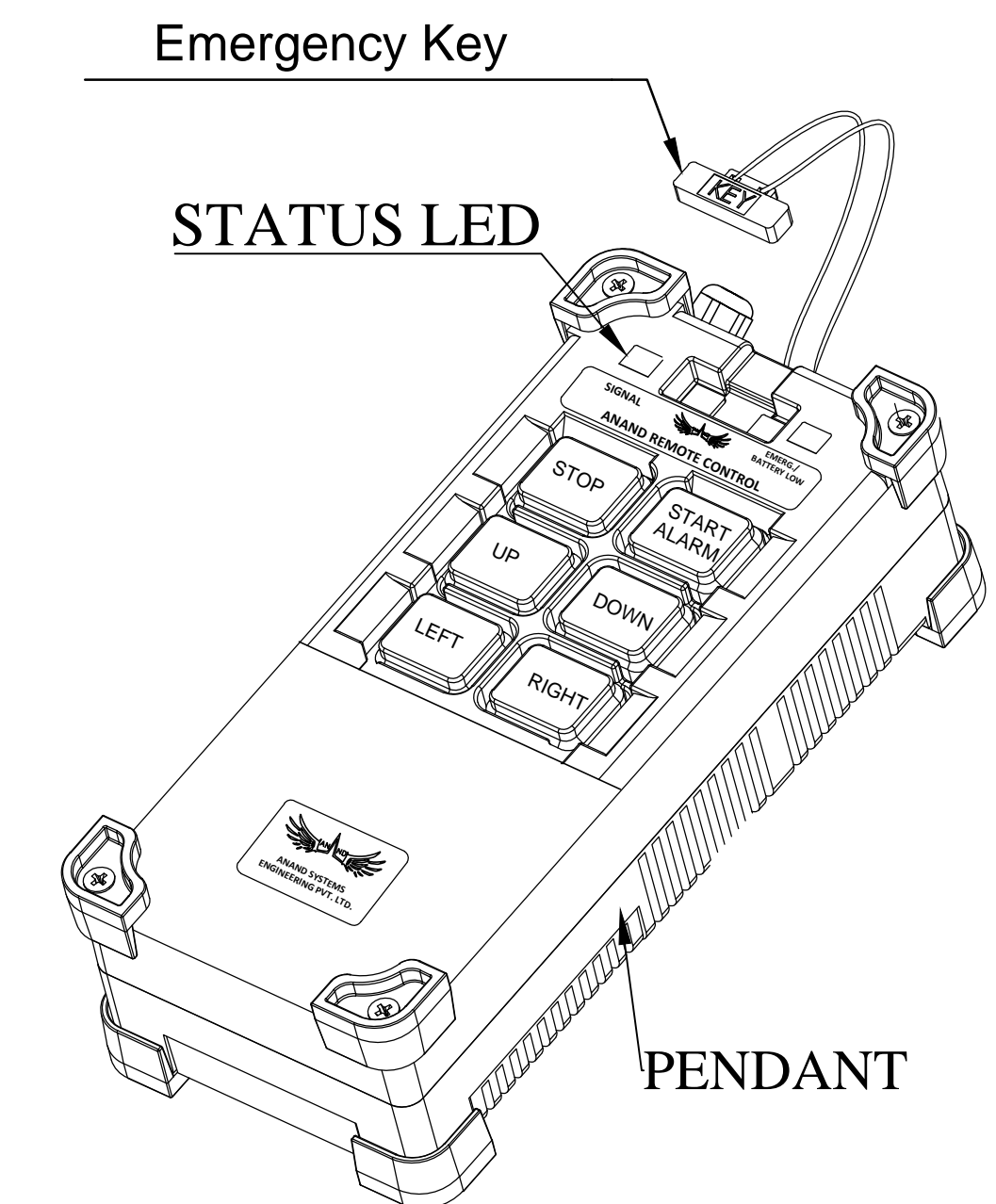


# PUSH BUTTON - RELAY MAP

PUSH BUTTON	RELAY ON
START/STOP	0,1
ALARM	2
UP	3
DOWN	4
LEFT	5
RIGHT	6

## INTERLOCK

MOTION
STOP ALONG WITH START ALARM KEY
UP ALONG WITH DOWN KEY
LEFT ALONG WITH RIGHT KEY



**TO CLIENT:**

ANAND SYSTEMS ENGINEERING PVT. LTD.			
MUMBAI-400 072.			
Prepared by	vivek	23-03-2024	TITLE:
Checked by			6 BUTTON 1 SPEED PENDANT
Approved by			
REV.	SIZE	MODEL:-	SCALE: 1:2
R0	A4	APC-601	SHEET: 2 OF 2
Ref. Drawing No.: SL NO-			Cad file: