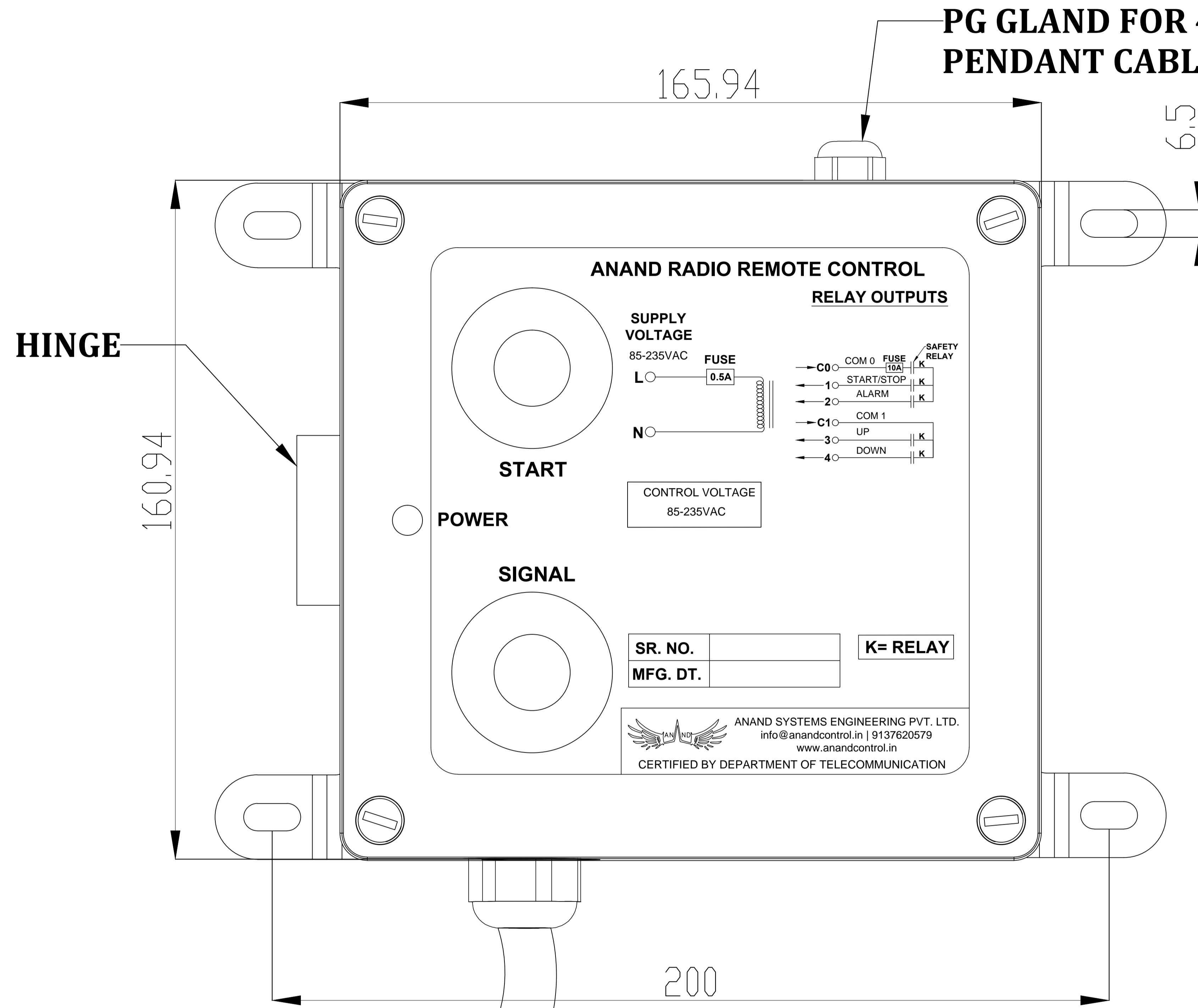
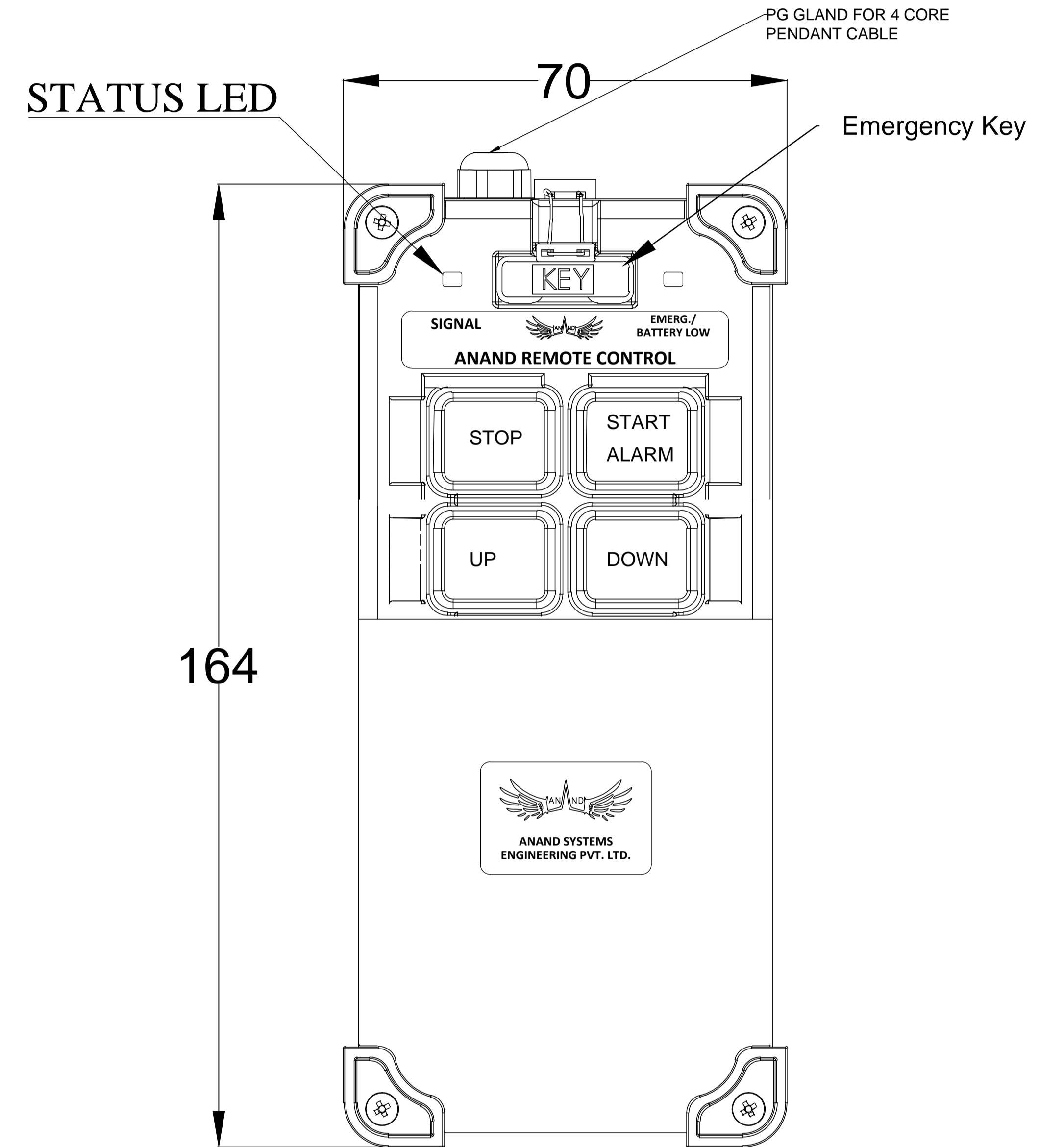


# GA DRAWING

<b>NO. OF RELAYS</b>	5
<b>NO. OF BUTTONS</b>	4
<b>SAFETY TIMER</b>	YES



**1 Sq. mm  
08 CORE  
PVC CABLE**

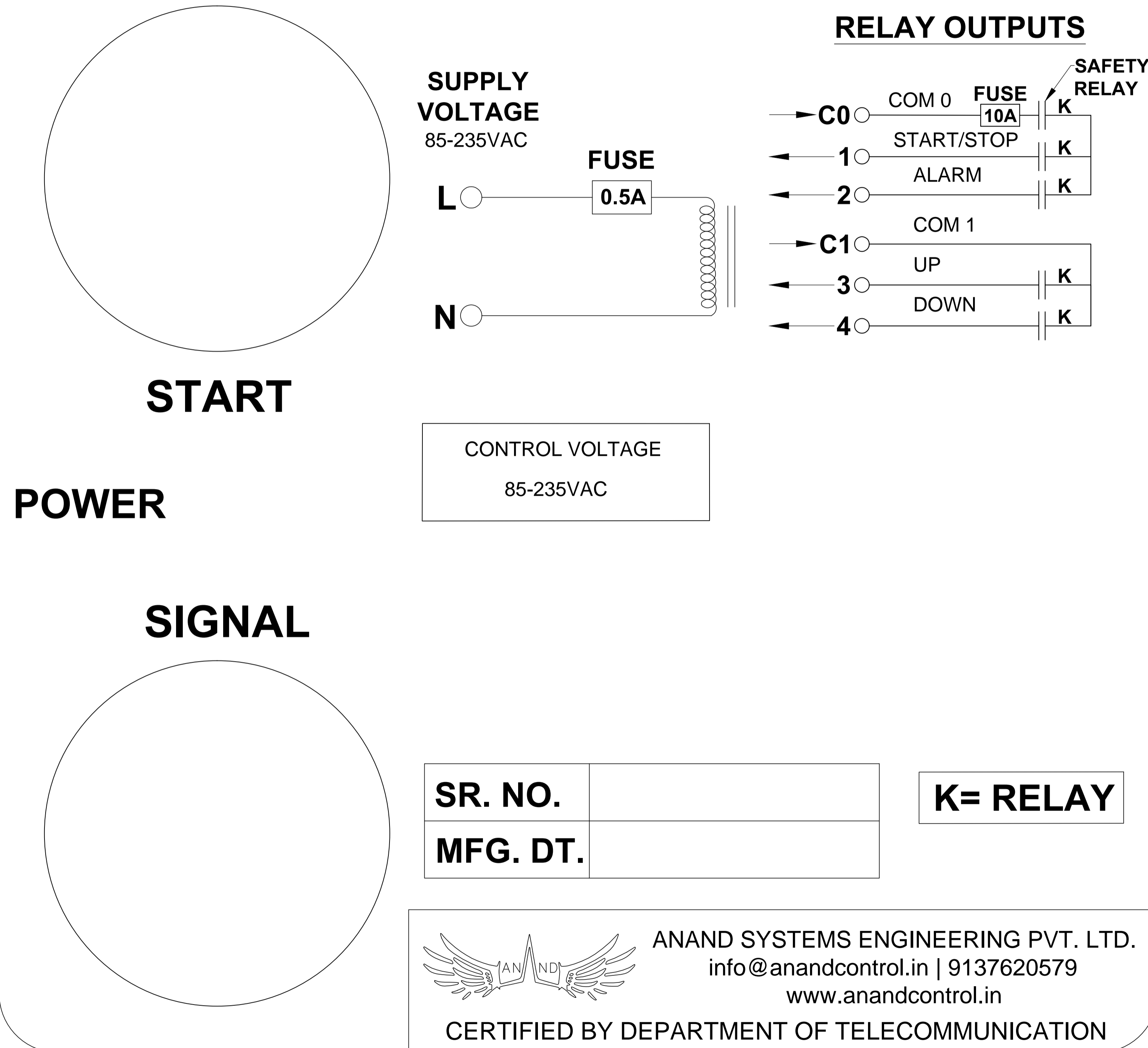


**TO CLIENT:**

<b>ANAND SYSTEMS ENGINEERING PVT. LTD.</b>			
MUMBAI- 400 072.			
Prepared by	vivek	23-03-2024	TITLE:
Checked by			4 BUTTON 1 SPEED PENDANT
Approved by			
REV.	SIZE	MODEL:-	SCALE: 1:2
R0	A4	APC-401	SHEET: 1 OF 2
Ref. Drawing No.: SL NO-			Cad file:

# WIRING DIAGRAM

## ANAND RADIO REMOTE CONTROL



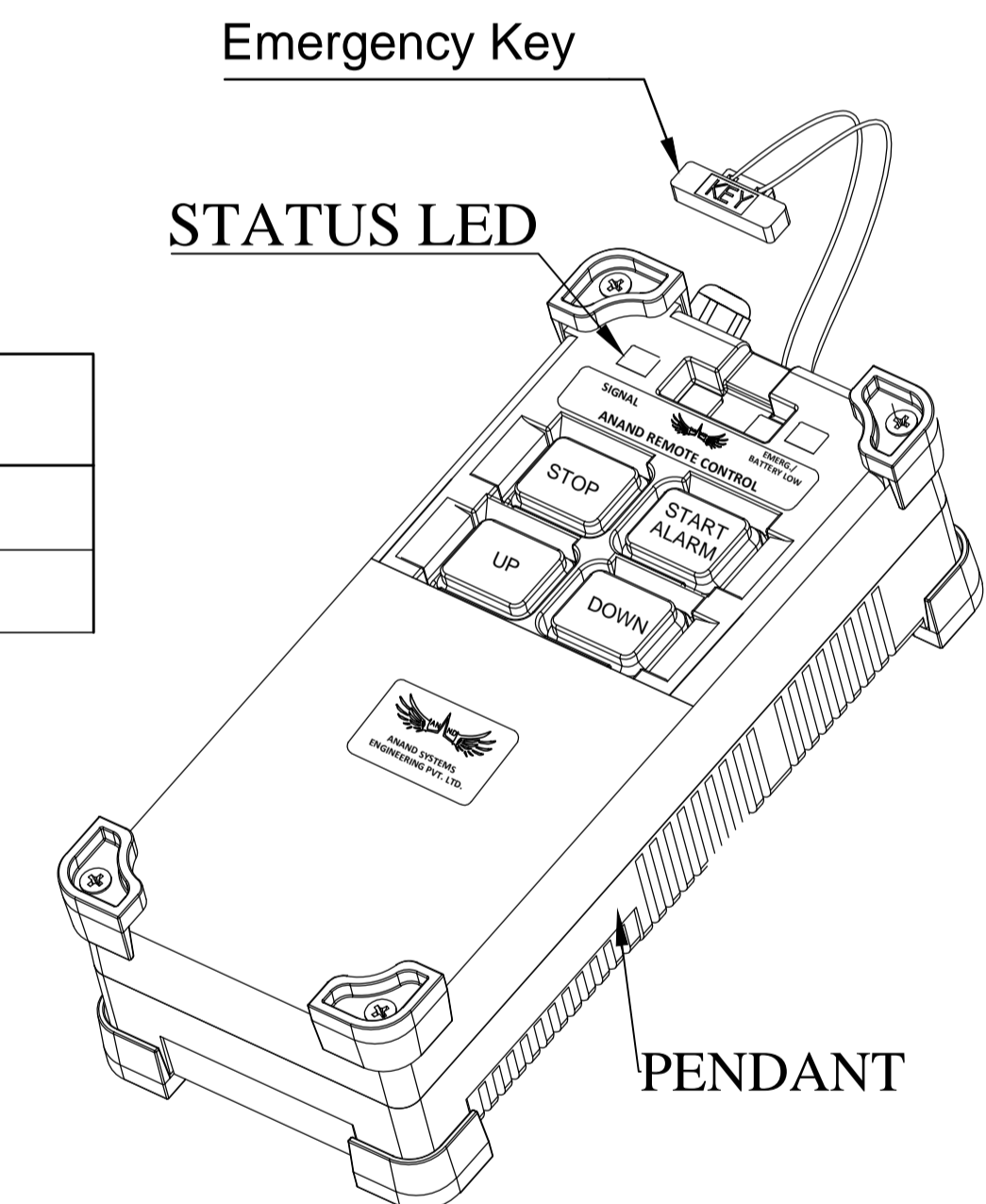
## PUSH BUTTON - RELAY MAP

PUSH BUTTON	RELAY ON
START/STOP	0,1
ALARM	2
UP	3
DOWN	4

## INTERLOCK

MOTION
STOP ALONG WITH START ALARM KEY
UP ALONG WITH DOWN KEY

## EMERGENCY



**TO CLIENT:**

ANAND SYSTEMS ENGINEERING PVT. LTD.			
MUMBAI-400 072.			
Prepared by	vivek	23-03-2024	TITLE:
Checked by			4 BUTTON 1 SPEED PENDANT
Approved by			
REV.	SIZE	MODEL:-	SCALE: 1:2
R0	A4	APC-401	SHEET: 2 OF 2
Ref. Drawing No.: SL NO-			Cad file: