

4

3

2

1

F

F

ALUMINIUM

PVC SLEEVE

27

19

22

16.01

E

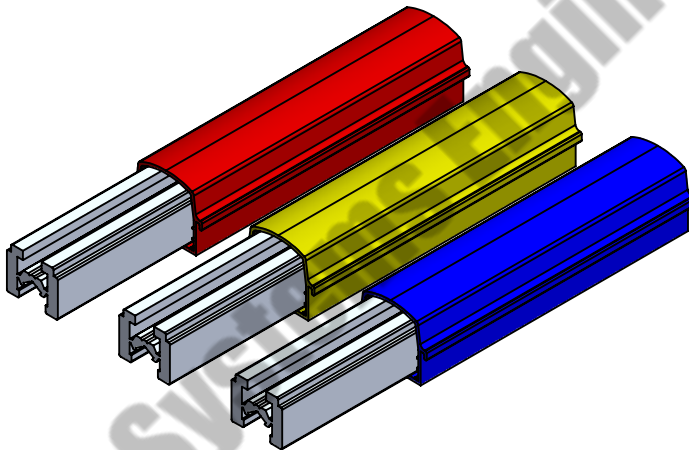
E

D

D

C

C



**400AMP- ALUMINIUM- 03
 BAR BOLTED(W) TYPE
 RED YELLOW BLUE COLOUR
 PVC**

B

B

COMPANY NAME:



**ANAND SYSTEM
 ENGINEERING PVT LTD**

DO NOT SCALE DRAWING.

REVISION:

TITLE:

**Safelink W
 400Amp ALU
 RYB 2D**

DWG NO.

Email id: info@anandcontrol.in

CONTACT NO: 9137620579

FINISH:

DATE:

SIGNATURE:

A

A

DRAWN	SAURABH
CHK'D	
APP'D	
MFG	

MATERIAL:	
WEIGHT:	

SCALE:	
SHEET: 1 OF 1	

4

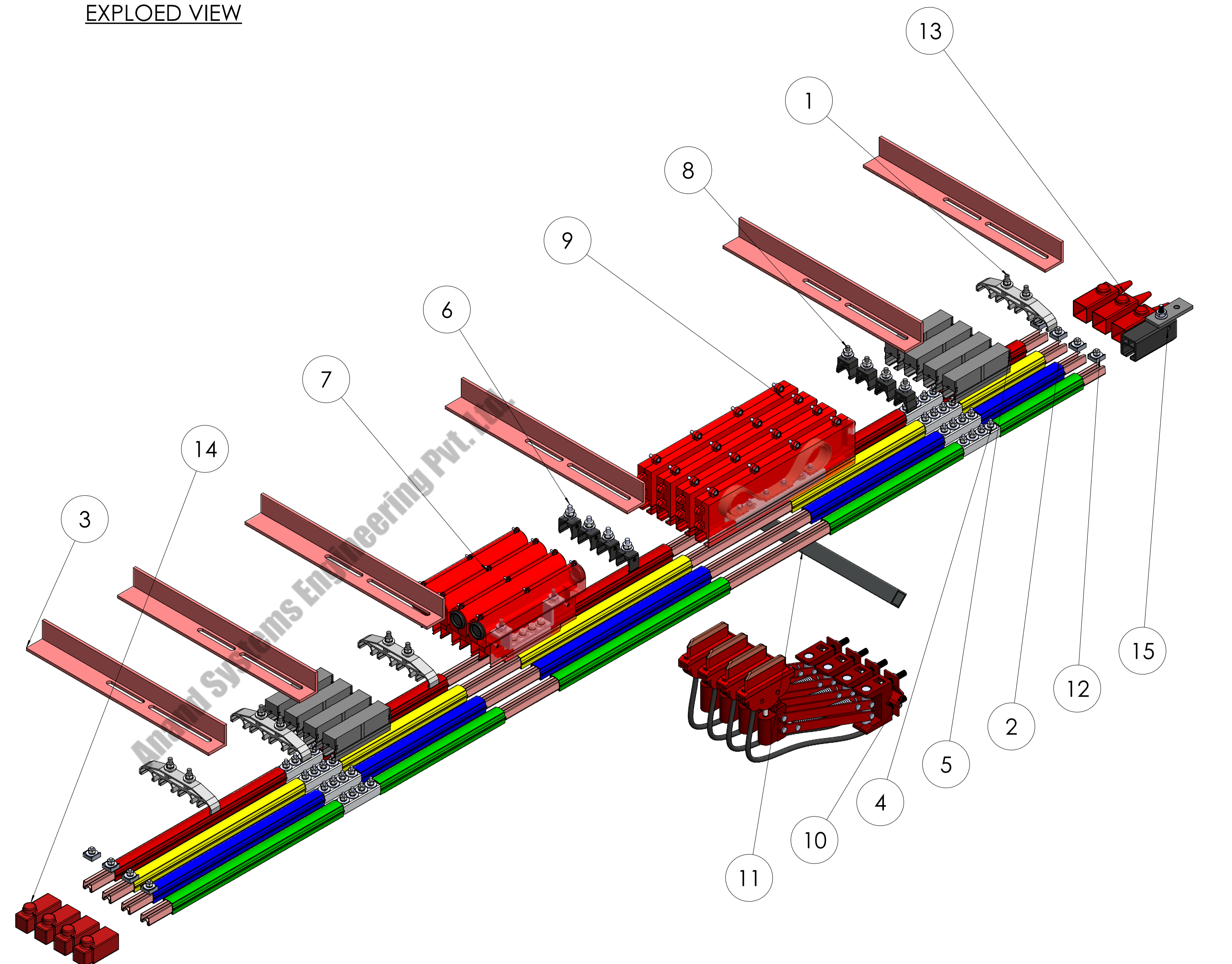
3

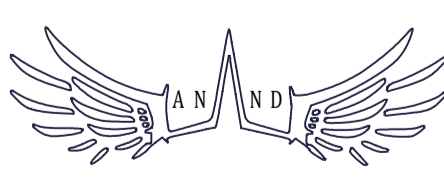
2

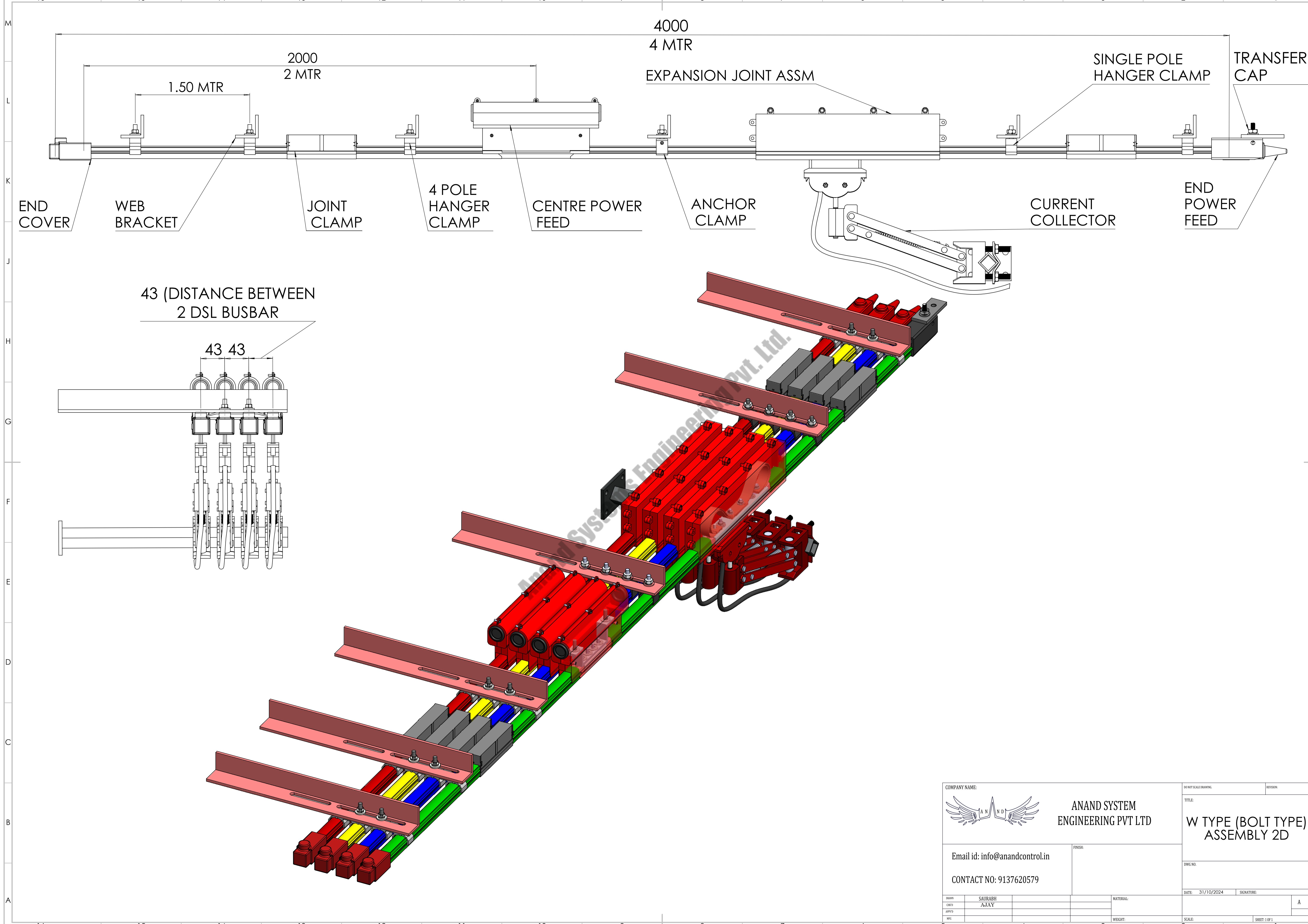
1

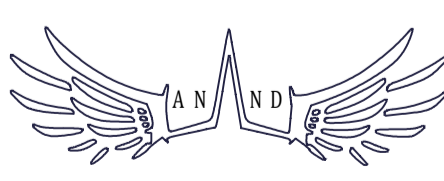
ITEM NO.	PART NAME	DESCRIPTION	MATERIAL	QTY.	
1	4 POLE HANGER CLAMP W TYPE.ASSEMBLY	158X29X20	DELTRIN	4	
	4 POLE HANGER CLAMP CC	158X29X20	DELTRIN	1	
	HEX BOLT	M8, 8X20, END COVER FIXING	M.S.	2	
	PLAIN WASHER	19X8.5X1.5	M.S.	2	
	HEX NUT	M6	M.S.	2	
	SPRING WASHER	M8	SPRING STEEL 4454 GRADE-02	2	
2	BUSBAR ASSEMBLY W TYPE	40X40X400, THK-5 MM		4	
	AL-W-type	4500X19X16.5	ALUMINIUM	1	
	SLEEVE W TYPE	4415X26X22	PVC	1	
3	Web-Bracket W TYPE	35X35, THK-5 MM	M.S.	6	
	JOINT CLAMP ASSEMBLY W TYPE	70X28X40	G.I	8	
4	HEX NUT	M6	M.S.	4	
	PLAIN WASHER	M8	M.S.	4	
	POWERFEED CLAMP W-TYPE	16.3X22X81	ALUMINIUM	1	
	SPRING WASHER M6 W TYPE	M6	SPRING STEEL 4454 GRADE-02	4	
	SQUARE HEAD BOLT W- TYPE	18XM6	M.S.	4	
5	JOINT COVER W-TYPE	42X26X102	DELTRIN	8	
	ANCHOR CLAMP ASSEMBLY W TYPW	28X30X20	DELTRIN	4	
6	ANCHOR CLAMP W TYPE		DELTRIN	2	
	HEX_BOLT	M8X25	M.S.	1	
	HEX NUT	M8	M.S.	1	
	PLAIN WASHER	M8	M.S.	1	
	SPRING WASHER	M8	SPRING STEEL 4454 GRADE-02	1	
7	HEX BOLT	M5X35	M.S.	1	
	LOCK NUT	M5	M.S.	1	
	CENTER POWERFEED ASSEMBLY W-TYPE	219X105.6X37		4	
	CENTER POWERFEED W-TYPE-1		DELTRIN	2	
	NUT	M8	M.S.	2	
8	PAN HEADED SCREW	SELF THREAD SCREW	M.S.	3	
	PAN HEADED SCREW	SELF THREAD SCREW	M.S.	2	
	PLAIN WASHER W TYPE	18.5X9X1.5	M.S.	6	
	POWER FEED ALU BRACKET	144X37X5.5	ALUMINIUM	1	
	GRUMET	Ø 30	RUBBER	2	
	POWERFEED CLAMP W-TYPE	16.3X22X81	ALUMINIUM	1	
	SPRING WASHER	M8	SPRING STEEL 4454 GRADE-02	6	
	SQUARE HEAD BOLT W- TYPE	18XM6	M.S.	4	
	HEX BOLT	M8, 8X20	M.S.	2	
	HEX NUT	M6	M.S.	4	
9	SINGLE POLE HANGER CLAMP W-TYPE ASSM	28X37X19.3		4	
	SINGLE POLE HANGER CLAMP W-TYPE			1	
	HEX BOLT	M8, 8X20	M.S.	1	
	HEX NUT	M8	M.S.	1	
	PLAIN WASHER	M8	M.S.	1	
10	SPRING WASHER	M8	SPRING STEEL 4454 GRADE-02	1	
	EXPANSION JOINT ASSEMBLY W-TYPE	321X80X30		4	
	CLAMP EXPANSION W-TYPE			1	
	END CLAM EXPANSION	16.5X23.5X22	G.I	6	
	DSL_NEW-1	DSL BUSBAR WITH SLEEVE		1	
	WASHER-1	18X8X1.5	M.S.	1	
	COPPER SLEEVE	20X20	COPPER	4	
	COPPER SLEEVE 2	20X59	COPPER	2	
	PLAIN WASHER	M6	M.S.	1	
	NUT	M6	M.S.	1	
	COPPER-FLAT-COIL 2 W-TYPE		COPPER	2	
	COPPER-FLAT-COIL-1 W-TYPE		COPPER	2	
	EXPANSION JOINT COVER W-TYPW		DELTRIN	2	
	SQUARE HEAD BOLT W- TYPE	18XM6	M.S.	6	
	11	HEX BOLT	M4X10	M.S.	4
HEX NUT		M4	M.S.	4	
CURRENT COLLECTOR 100 AMP ASSM		230X332		4	
ARM 1		220X15.5X3	M.S.	4	
LOWER BRACKET		56X73X30	CASTING	1	
LOWER PIN		16X70	M.S.	1	
VERTICAL LEVER CC		50X61X24	CASTING	1	
SPACER PIN		26X Ø 6	M.S.	6	
UPPER BRACKET		108.5X43X10	PLASTIC	2	
VERTICAL STUD		104X Ø 7	M.S.	1	
SHOE HOLDER		108.5X20X40	PLASTIC	1	
CONTACT PATTI		87X47X3	COPPER	1	
SPRING		Ø 13.5X22	SPRING STEEL 4454 GRADE-02	1	
LOWER BRACKET CC 2		70X30X3	M.S.	1	
12		HEX BOLT	8X40	M.S.	2
	NUT	M8	M.S.	2	
	PLAIN WASHER W TYPE	18.5X9X1.5	M.S.	2	
	HEX NUT	M4	M.S.	2	
	TENSION SPRING	Ø 15X115	SPRING STEEL 4454 GRADE-02	1	
	wire	105 SQ MM, 1mtr		1	
	C.C-Bracket 100 AMP	80X60XTHK-6, SQ-25X25X400	M.S.	1	
	END CLAMP ASSEMBLY W TYPE			8	
	END CLAMP W TYPE			8	
	SQUARE HEAD BOLT W- TYPE	18XM6	M.S.	8	
	HEX NUT	M6	M.S.	8	
	SPRING WASHER M6 W TYPE	M6	SPRING STEEL 4454 GRADE-02	8	
	PLAIN WASHER	M8	M.S.	8	
	13	END POWER FEED COVER W-TYPE	112X30X35	PVC	3
		END COVER W TYPE	73X39X30	PVC	4
15	TRANSFER CAP ASSM W-TYPE			1	
	HEX BOLT	M8X50	M.S.	1	
	NUT	M8	M.S.	2	
	PLAIN WASHER	M8	M.S.	1	
	SPRING WASHER	M8	SPRING STEEL 4454 GRADE-02	1	
TRANSFER CAP BODY W-TYPE	37.5X33.5X89.3		1		
TRANSFER CAP M.S. PLATE W-TYPE 2D.PDF	75 X36X6		M.S.	1	

EXPLODED VIEW



COMPANY NAME:		ANAND SYSTEM ENGINEERING PVT LTD		DO NOT SCALE DRAWING	REVISION:
		ANAND SYSTEM ENGINEERING PVT LTD		TITLE: W TYPE (BOLT TYPE) ASSEMBLY 2D	
Email id: info@anandcontrol.in		FENISE:		DWG. NO.	
CONTACT NO: 9137620579				DATE: SIGNATURE:	
DRWN: SAURABH	CHKD: AJAY	APPRD:	MATERIAL:	A	
SCALE:		WEIGHT:		SHEET: 1 OF 1	



COMPANY NAME:		ANAND SYSTEM ENGINEERING PVT LTD		DO NOT SCALE DRAWING	REVISION:
		Email id: info@anandcontrol.in CONTACT NO: 9137620579		TITLE: W TYPE (BOLT TYPE) ASSEMBLY 2D	
DATE:	31/10/2024	SIGNATURE:		DWG NO:	
SCALE:		WEIGHT:		SHEET: 1 OF 1	
DRWN:	SAURABH	MATERIAL:		A	
CHKD:	AJAY				
APPD:					
MFC:					

4

3

2

1

F

F

E

E

D

D

C

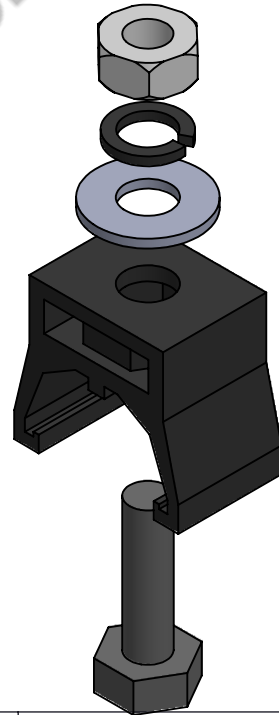
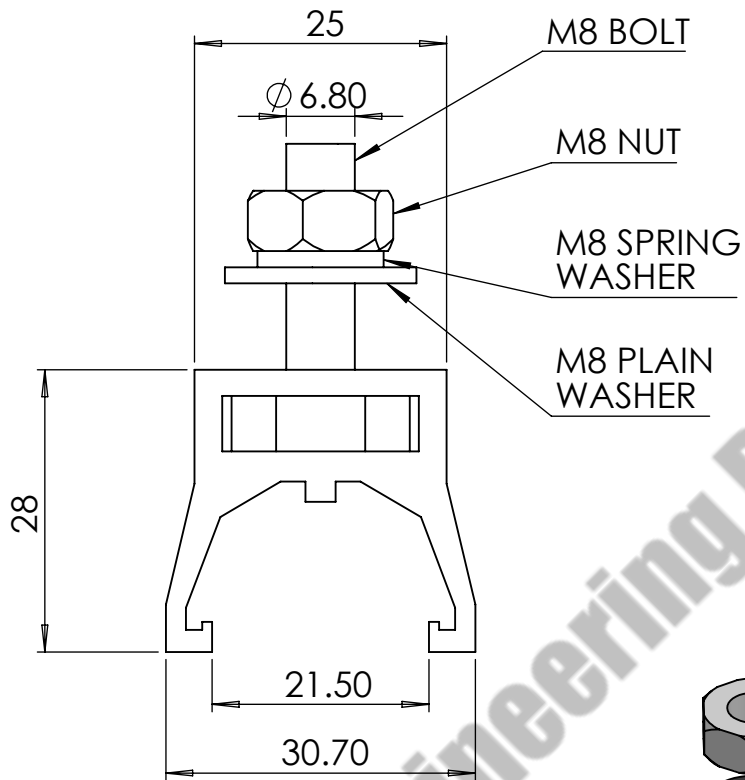
C

B

B

A

A



COMPANY NAME:



ANAND SYSTEM
ENGINEERING PVT LTD

DO NOT SCALE DRAWING

REVISION:

TITLE:

SINGLE POLE
HANGER CLAMP
W-TYPE ASSM 2D

Email id: info@anandcontrol.in

CONTACT NO: 9137620579

FINISH:

DWG NO.

DATE:

SIGNATURE:

DRAWN	SAURABH
CHK'D	
APP'D	
MFG	

MATERIAL:

WEIGHT:

SCALE:

SHEET: 1 OF 1

4

3

2

1

4

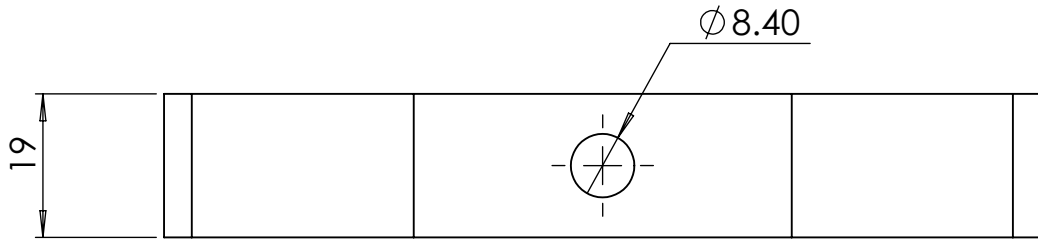
3

2

1

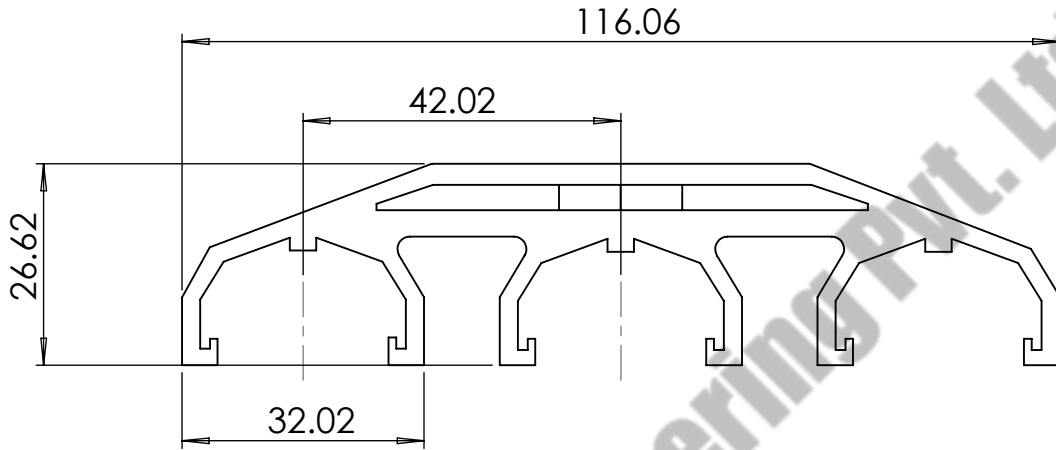
F

F



E

E

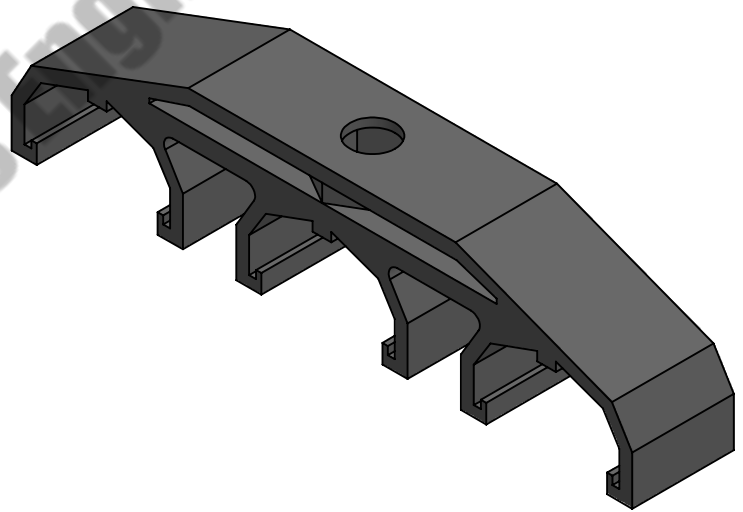


D

D

C

C



B

B

COMPANY NAME:



ANAND SYSTEM
ENGINEERING PVT LTD

DO NOT SCALE DRAWING.

REVISION:

TITLE:

3 POLE HANGER
CLAMP W TYPE
2D

Email id: info@anandcontrol.in

FINISH:

CONTACT NO: 9137620579

DWG NO.

DATE:

SIGNATURE:

A

A

DRAWN	SAURABH
CHK'D	
APP'D	
MFG	

MATERIAL:

WEIGHT:

SCALE:

SHEET: 1 OF 1

4

3

2

1

4

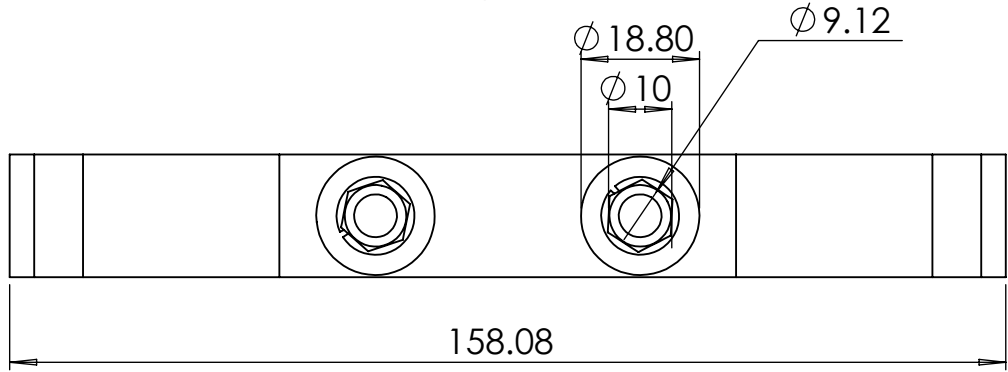
3

2

1

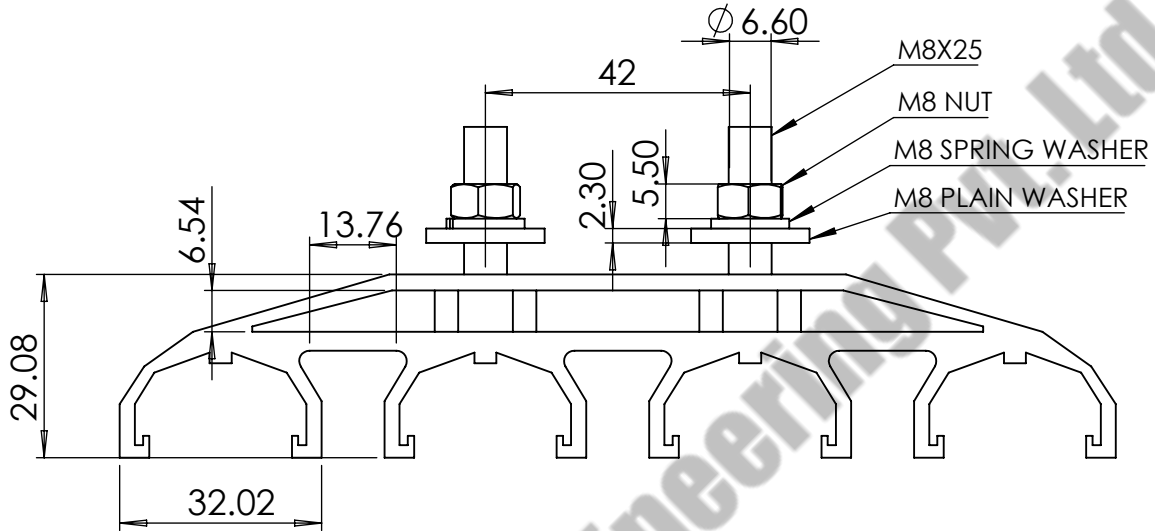
F

F



E

E

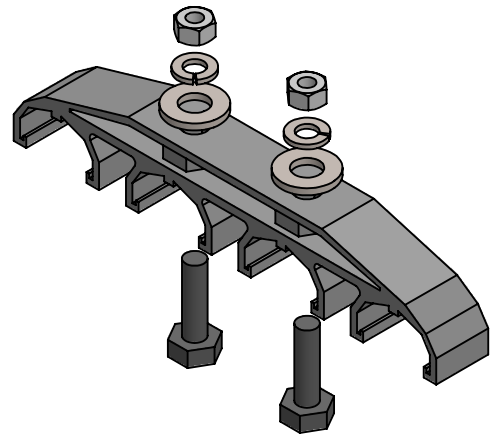


D

D

C

C



B

B

COMPANY NAME:



ANAND SYSTEM
ENGINEERING PVT LTD

DO NOT SCALE DRAWING.

REVISION:

TITLE:

4 POLE HANGER
CLAMP W
TYPE.ASSEMBLY 2D

Email id: info@anandcontrol.in

CONTACT NO: 9137620579

FINISH:

DWG NO.

DATE:

SIGNATURE:

A

A

DRAWN	SAURABH
CHK'D	
APP'D	
MFG	

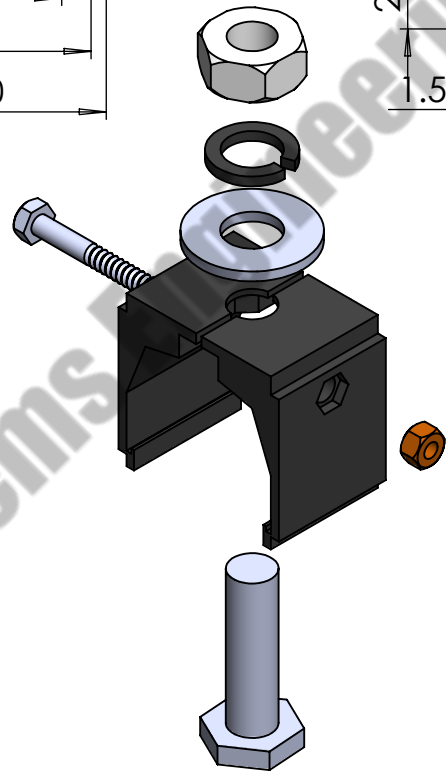
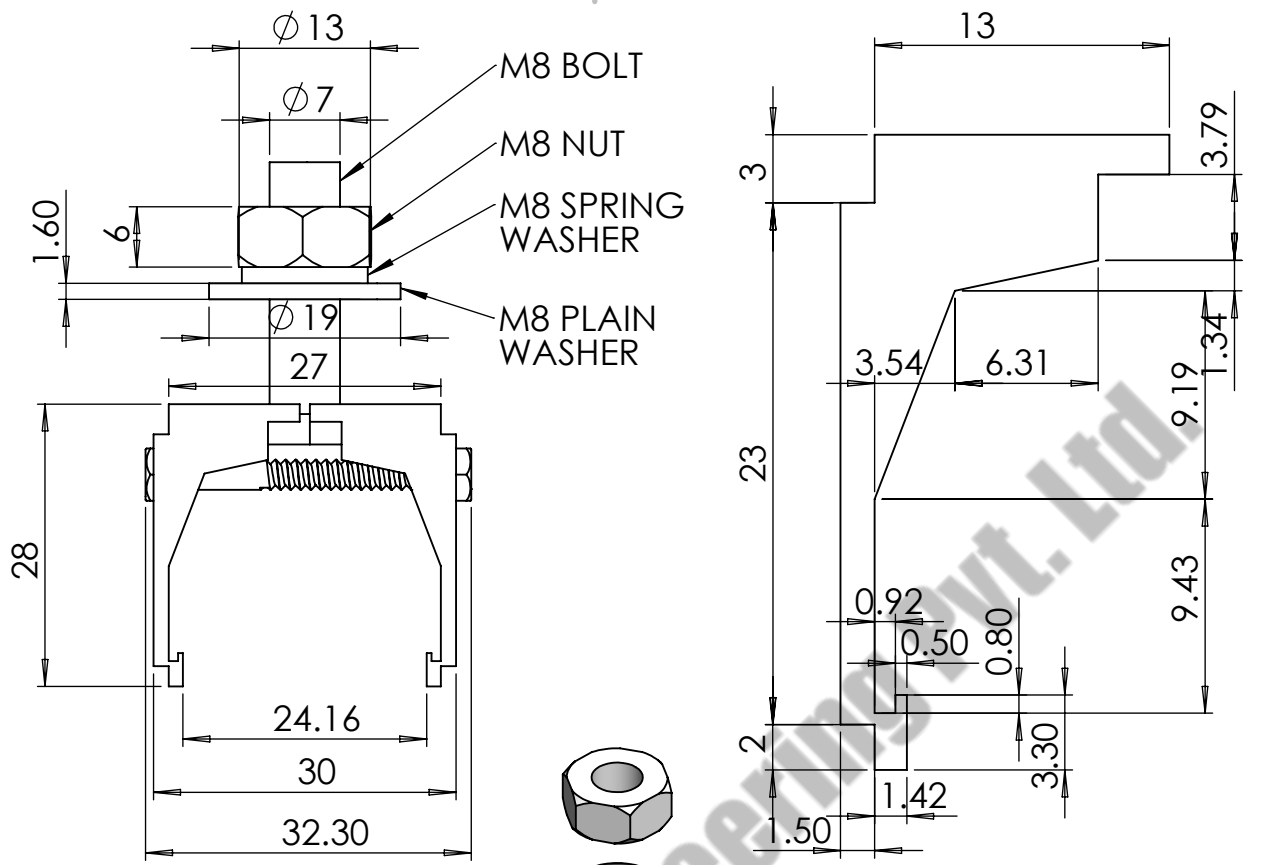
MATERIAL:	
WEIGHT:	
SCALE:	
SHEET: 1 OF 1	

4

3

2

1



COMPANY NAME:



ANAND SYSTEM
ENGINEERING PVT LTD

DO NOT SCALE DRAWING.

REVISION:

TITLE:

ANCHOR CLAMP
ASSEMBLY W TYPE
2D

Email id: info@anandcontrol.in

CONTACT NO: 9137620579

FINISH:

DWG NO.

28X30X20

DATE:

SIGNATURE:

DRAWN	SAURABH
CHK'D	
APP'D	
MFG	

MATERIAL:

WEIGHT:

SCALE:

SHEET: 1 OF 1

A

4

3

2

1

F

F

E

E

D

D

C

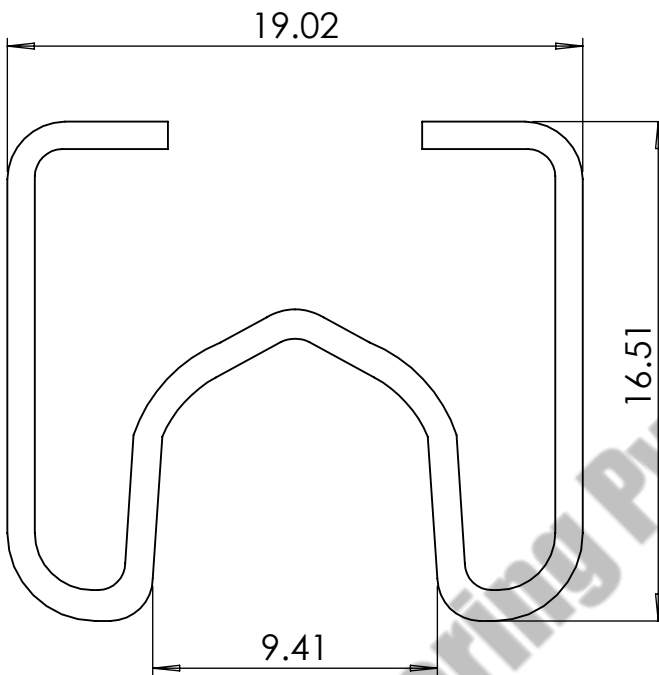
C

B

B

A

A



COMPANY NAME:



**ANAND SYSTEM
ENGINEERING PVT LTD**

DO NOT SCALE DRAWING.

REVISION:

TITLE:

**AL-CU W TYPE
DSL 2D**

Email id: info@anandcontrol.in

CONTACT NO: 9137620579

FINISH:

DWG NO.

DATE:

SIGNATURE:

A

DRAWN	SAURABH
CHK'D	
APP'D	
MFG	

MATERIAL:

WEIGHT:

SCALE:

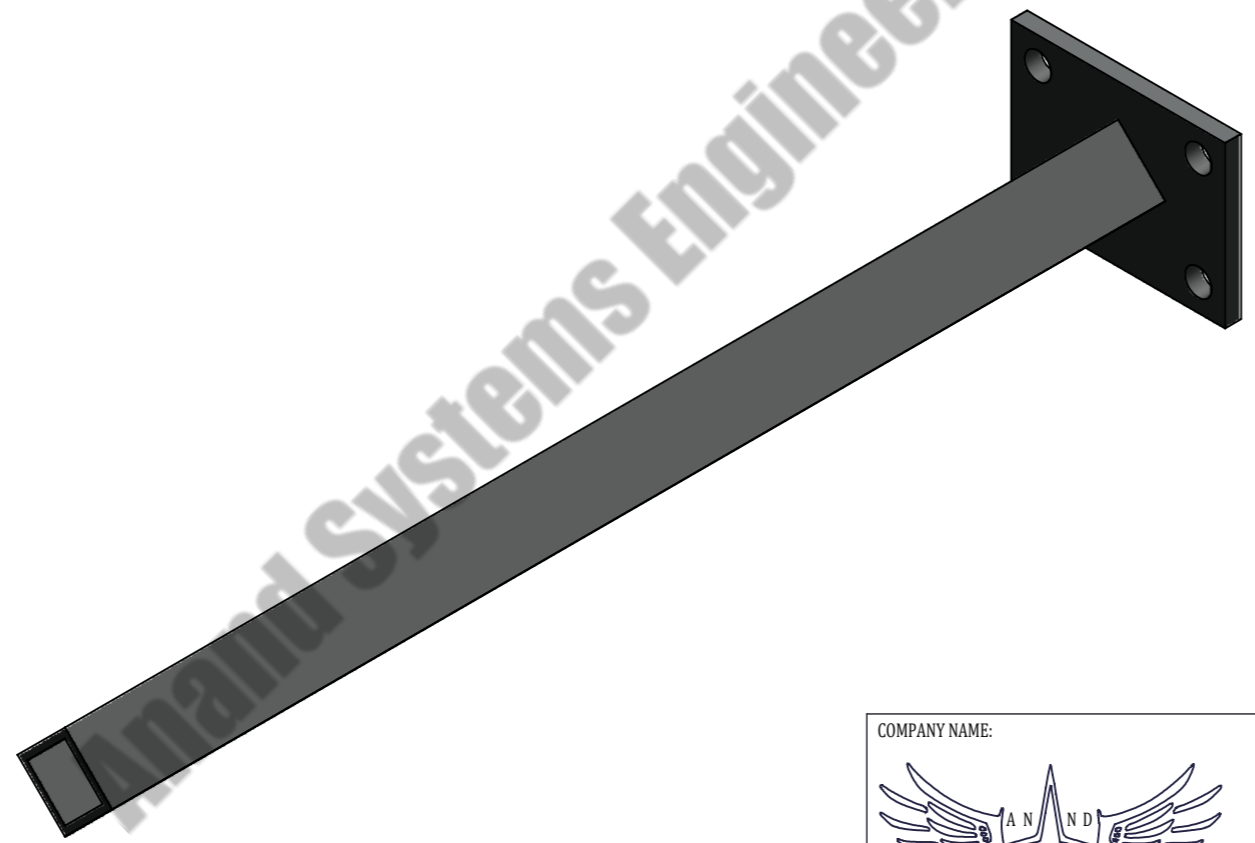
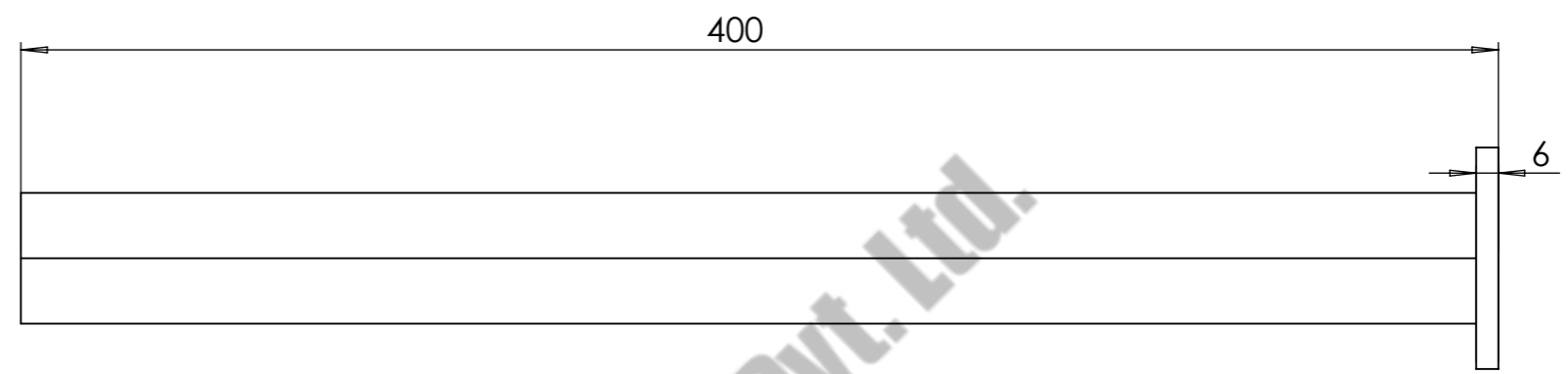
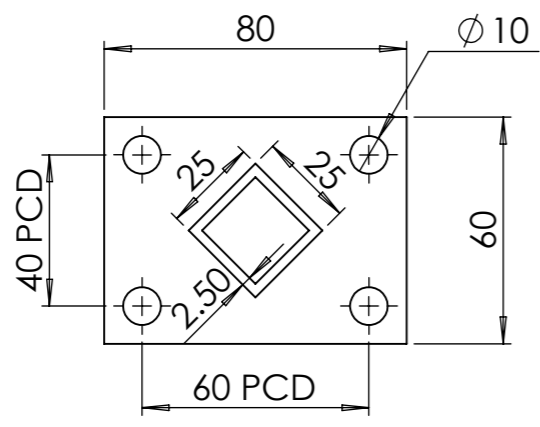
SHEET: 1 OF 1


4

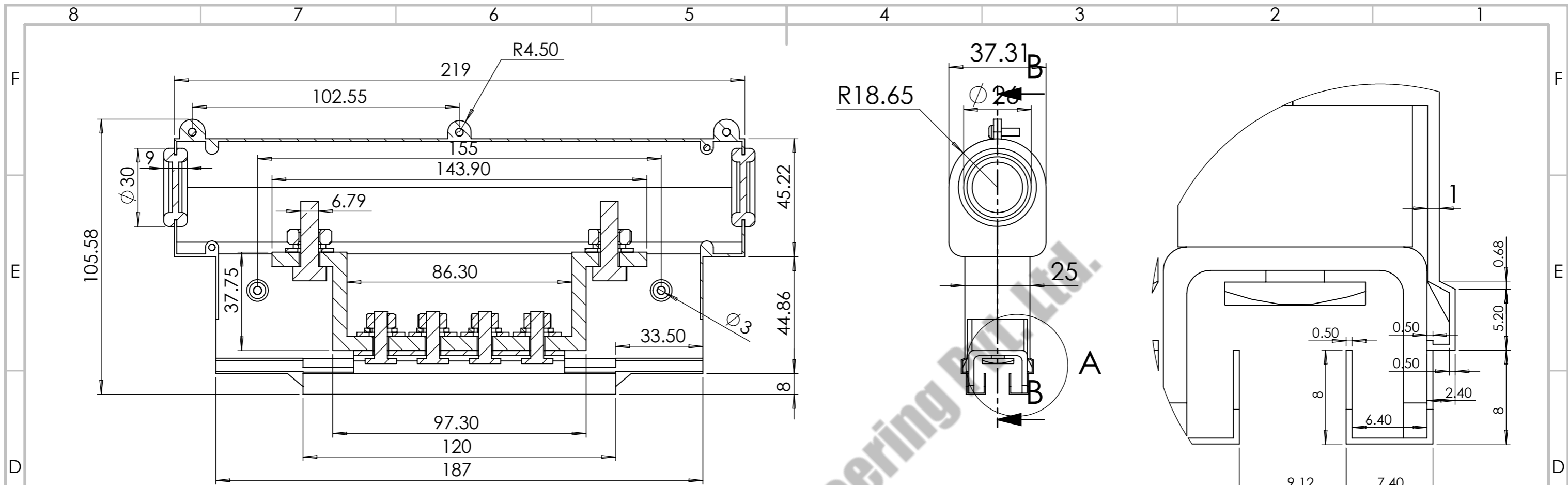
3

2

1

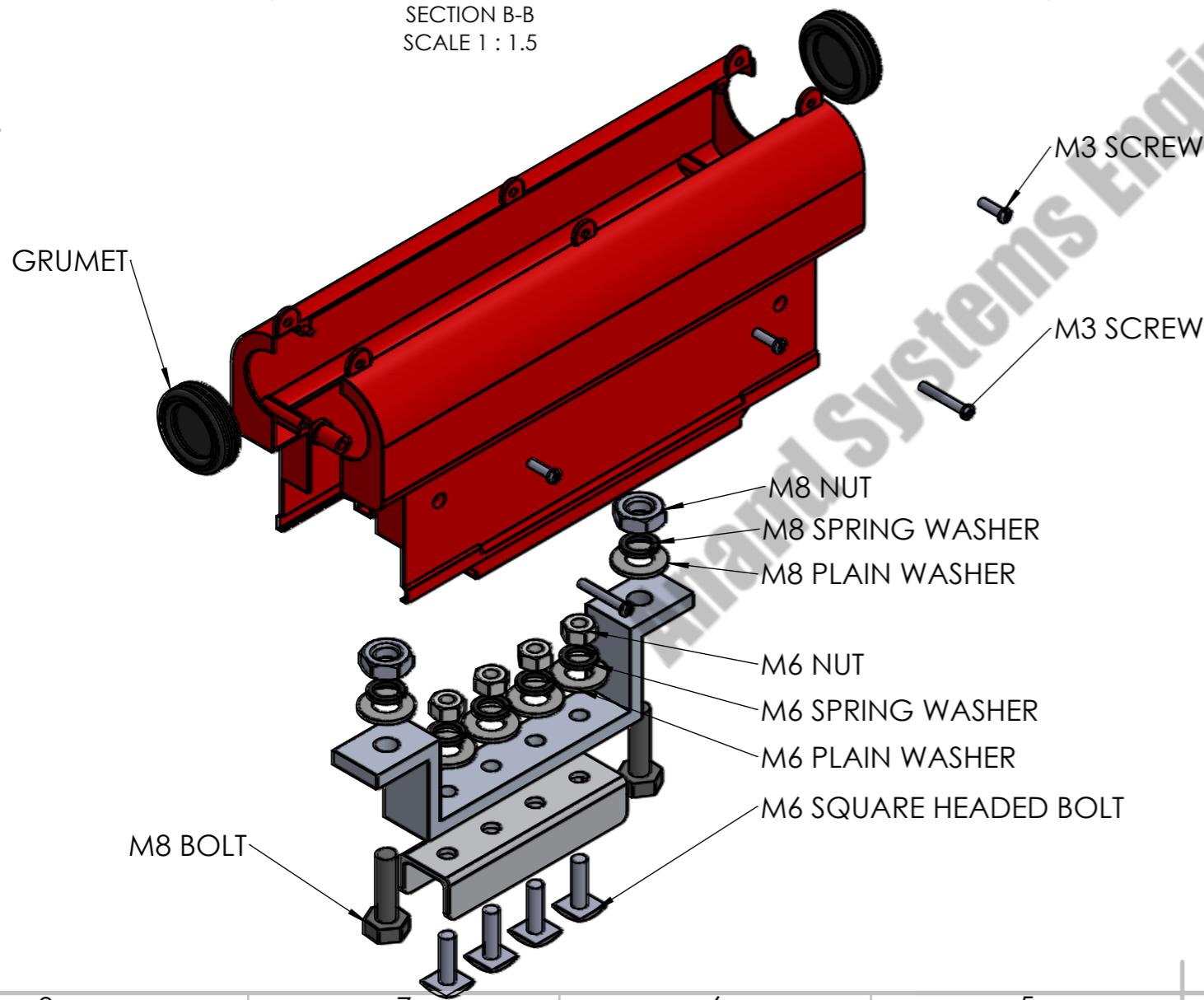



COMPANY NAME:		ANAND SYSTEM ENGINEERING PVT LTD		DO NOT SCALE DRAWING.	REVISION:
		<p>Email id: info@anandcontrol.in</p> <p>CONTACT NO: 9137620579</p>		<p>TITLE:</p> <h1>C.C-Bracket 100 AMP</h1>	
FINISH:		DATE:		SIGNATURE:	
DRAWN	SAURABH	MATERIAL:	A		
CHK'D					
APP'VD					
MFG		WEIGHT:	SCALE:	SHEET: 1 OF 1	

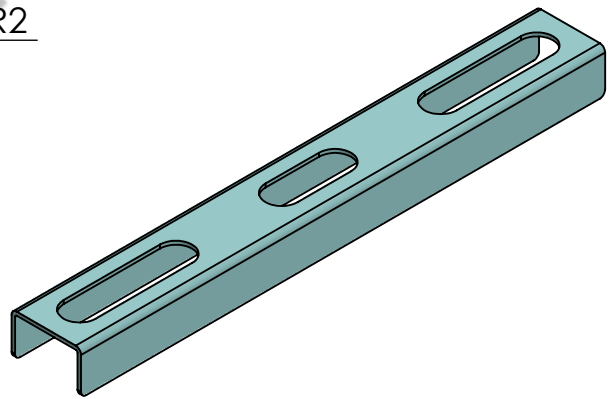
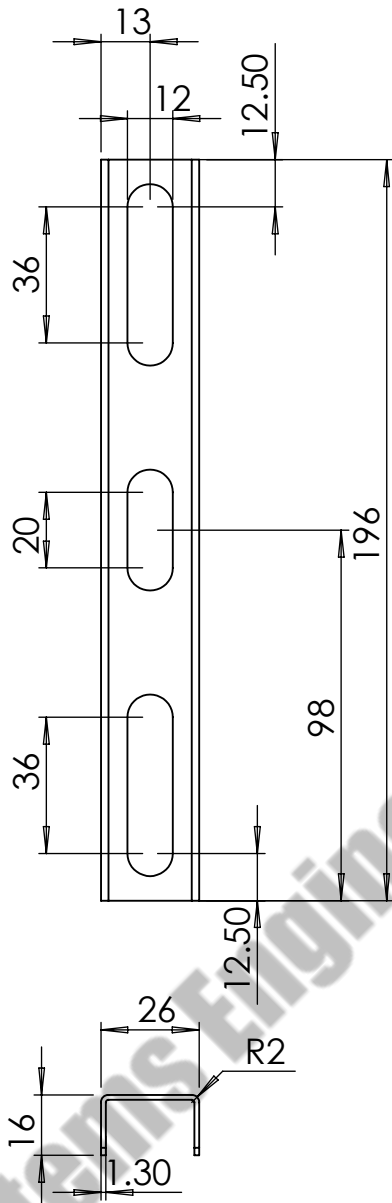


SECTION B-B
SCALE 1 : 1.5

DETAIL A
SCALE 3 : 1



COMPANY NAME:		ANAND SYSTEM ENGINEERING PVT LTD		DO NOT SCALE DRAWING:	REVISION:
		Email id: info@anandcontrol.in CONTACT NO: 9137620579		TITLE: CENTER POWERFEED ASSEMBLY W-TYPE 2D	
FINISH:		DWG NO:		219X105.6X37	
DATE:		SIGNATURE:		A	
DRAWN:	SAURABH	MATERIAL:		SCALE:	
CHK'D:		WEIGHT:		SHEET: 1 OF 1	
APP'D:					
MFG:					



COMPANY NAME:



**ANAND SYSTEM
ENGINEERING PVT LTD**

Email id: info@anandcontrol.in

CONTACT NO: 9137620579

FINISH:

DO NOT SCALE DRAWING.

REVISION:

TITLE:

**CLAMP
EXPANSION
W-TYPE 2D**

DWG NO.

DATE:

SIGNATURE:

A

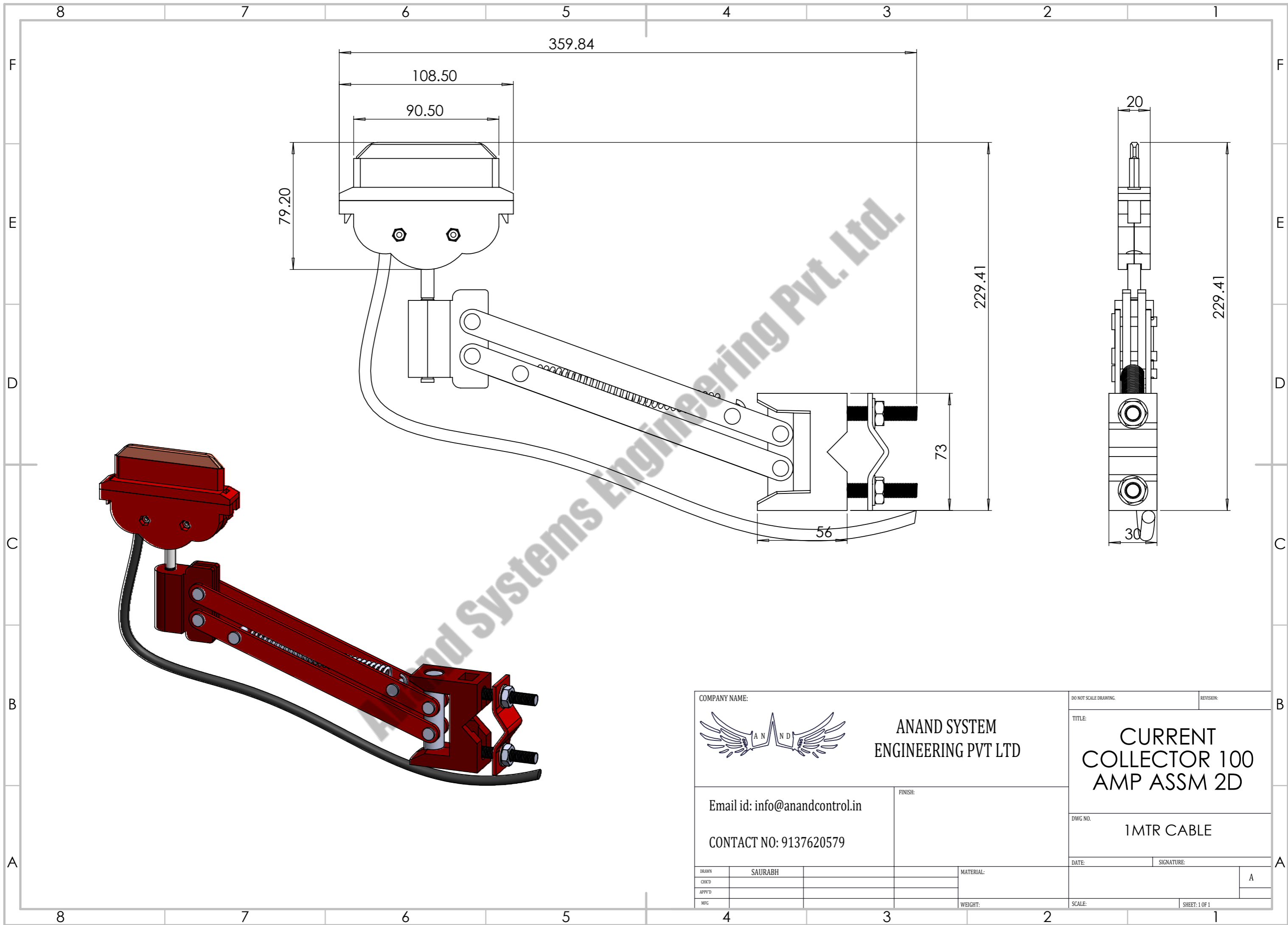
DRAWN	SAURABH
CHK'D	
APP'D	
MFG	


MATERIAL:

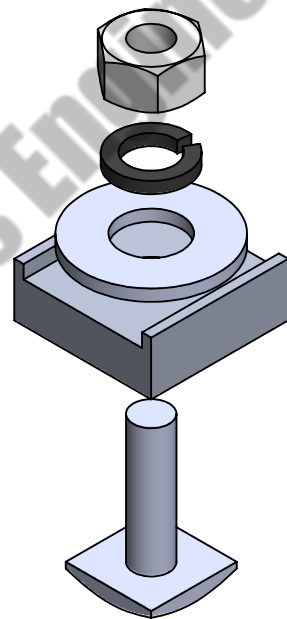
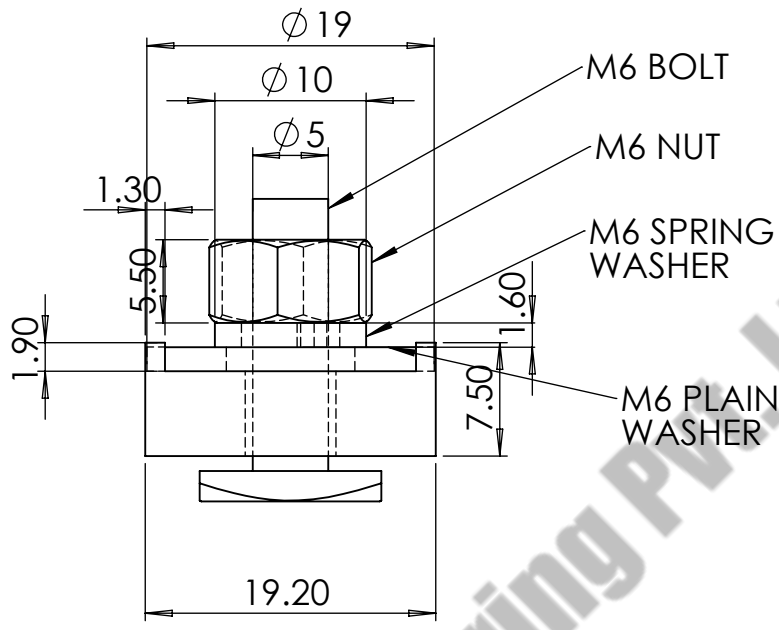
WEIGHT:

SCALE:

SHEET: 1 OF 1



COMPANY NAME:		ANAND SYSTEM ENGINEERING PVT LTD		DO NOT SCALE DRAWING.	REVISION:
		Email id: info@anandcontrol.in CONTACT NO: 9137620579		TITLE: CURRENT COLLECTOR 100 AMP ASSM 2D	
FINISH:		MATERIAL:		DWG NO. 1MTR CABLE	
DATE:		SIGNATURE:		A	
DRAWN	SAURABH			SCALE:	
CHK'D				SHEET: 1 OF 1	
APPY'D					
MFG					



COMPANY NAME:



**ANAND SYSTEM
ENGINEERING PVT LTD**

DO NOT SCALE DRAWING.

REVISION:

TITLE:

**END CLAMP
ASSEMBLY W
TYPE 2D**

Email id: info@anandcontrol.in

CONTACT NO: 9137620579

FINISH:

DWG NO.

DATE:

SIGNATURE:

DRAWN	SAURABH
CHK'D	
APP'D	
MFG	

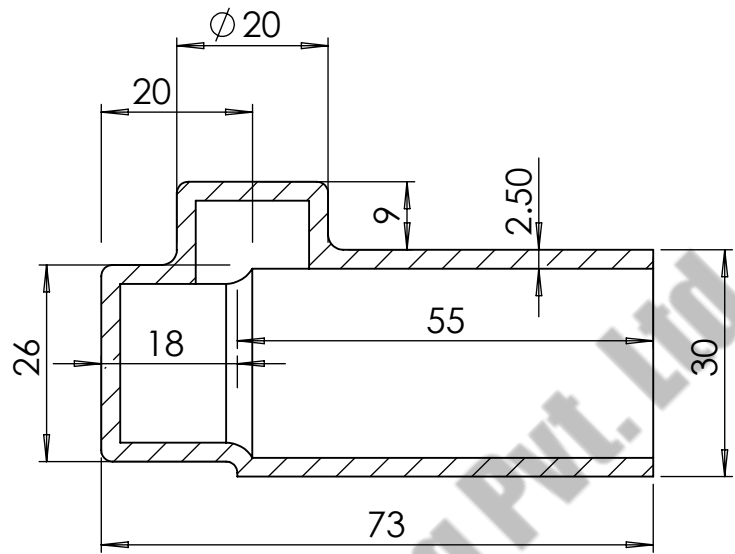
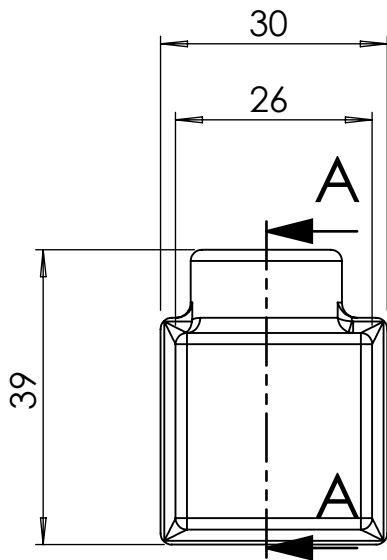
MATERIAL:

WEIGHT:

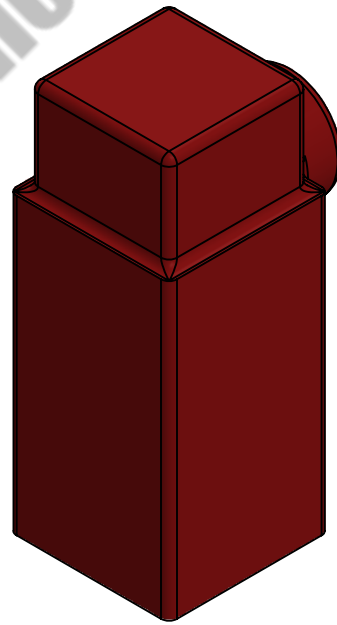
SCALE:

SHEET: 1 OF 1

A



SECTION A-A



COMPANY NAME:



**ANAND SYSTEM
ENGINEERING PVT LTD**

DO NOT SCALE DRAWING.

REVISION:

TITLE:

**END COVER
W TYPE 2D**

Email id: info@anandcontrol.in

CONTACT NO: 9137620579

FINISH:

DWG NO.

DATE:

SIGNATURE:

DRAWN	SAURABH
CHK'D	
APP'D	
MFG	

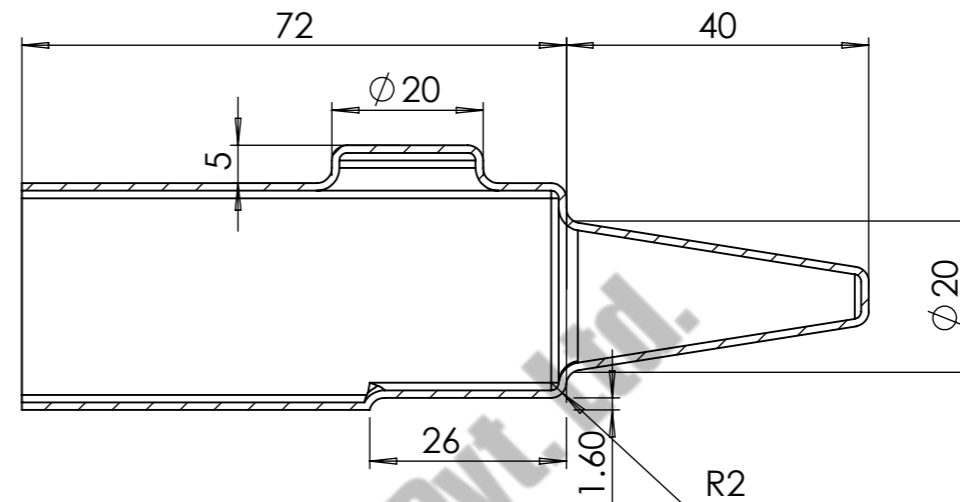
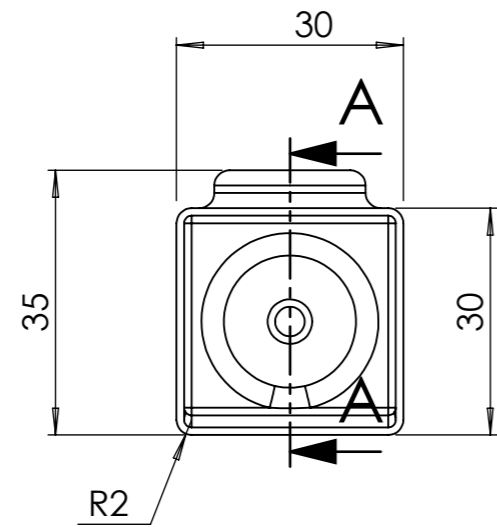
MATERIAL:

WEIGHT:

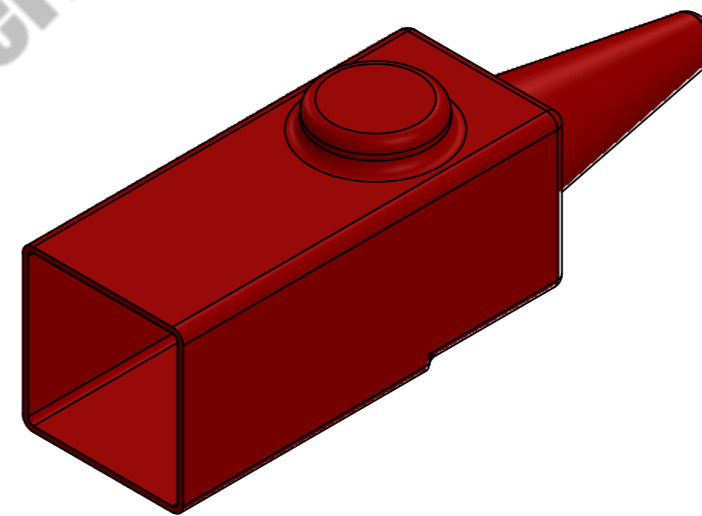
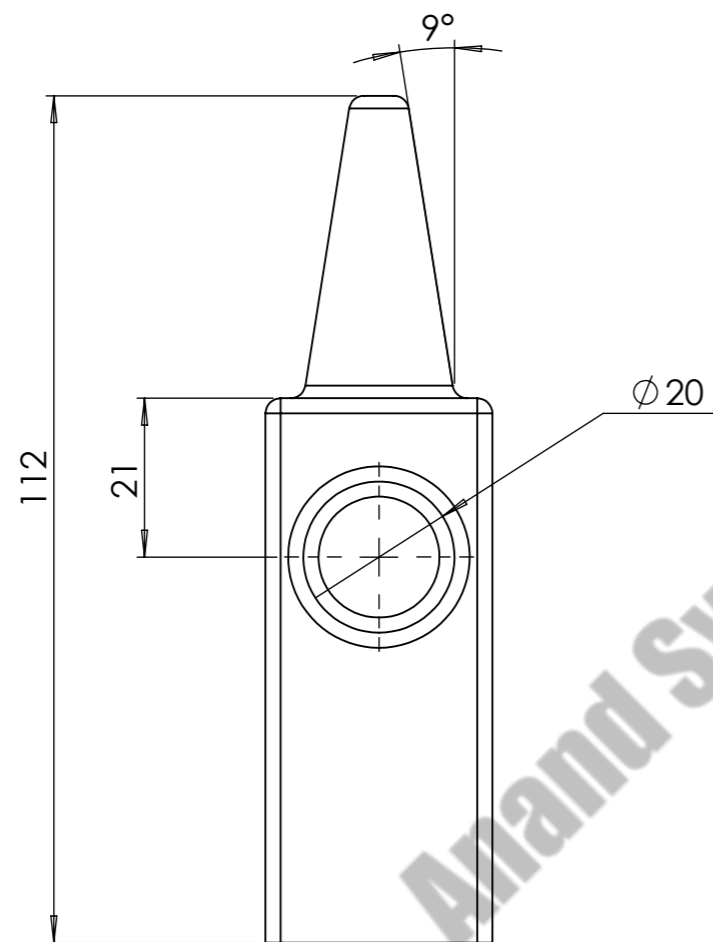
SCALE:

SHEET: 1 OF 1

A



SECTION A-A



COMPANY NAME:



**ANAND SYSTEM
ENGINEERING PVT LTD**

Email id: info@anandcontrol.in

CONTACT NO: 9137620579

FINISH:

DO NOT SCALE DRAWING.

REVISION:

TITLE:

**END POWER FEED
W-TYPE 2D**

DWG NO.

DATE:

SIGNATURE:

DRAWN
CHK'D
APPV'D
MFG

SAURABH

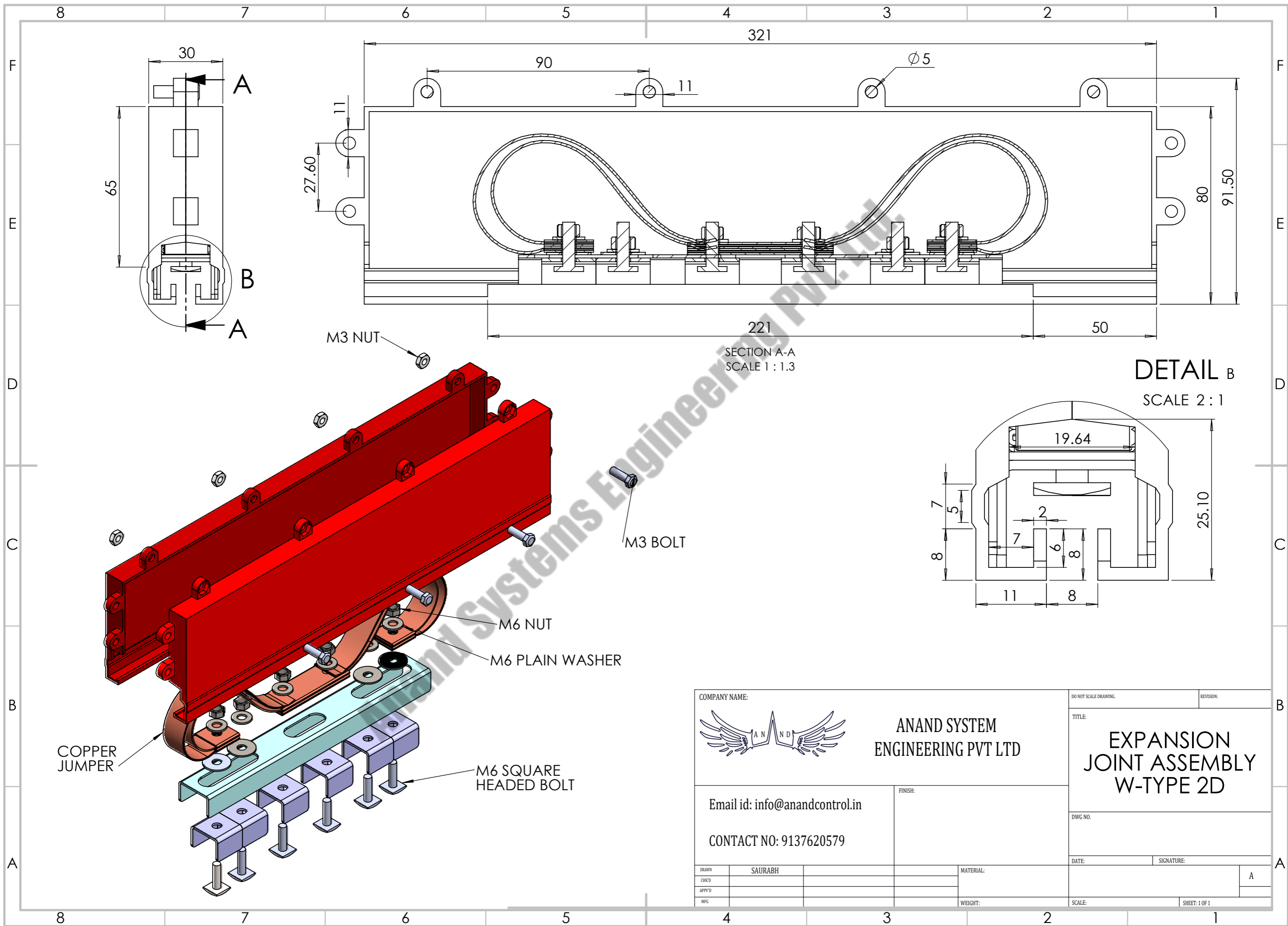
MATERIAL:

WEIGHT:

SCALE:


SHEET: 1 OF 1

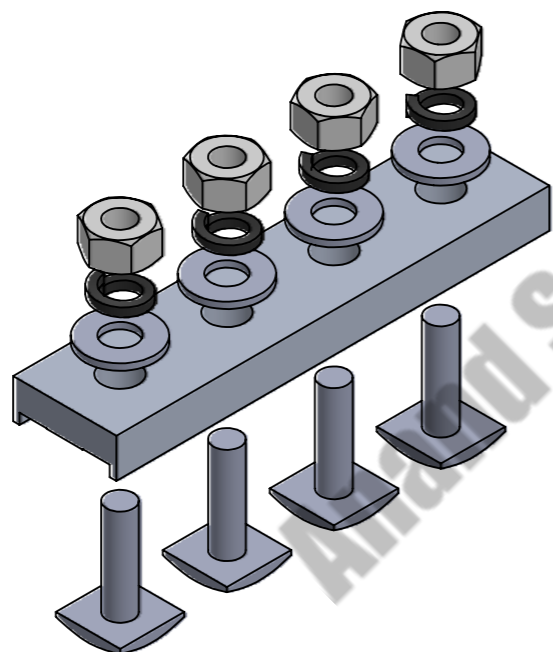
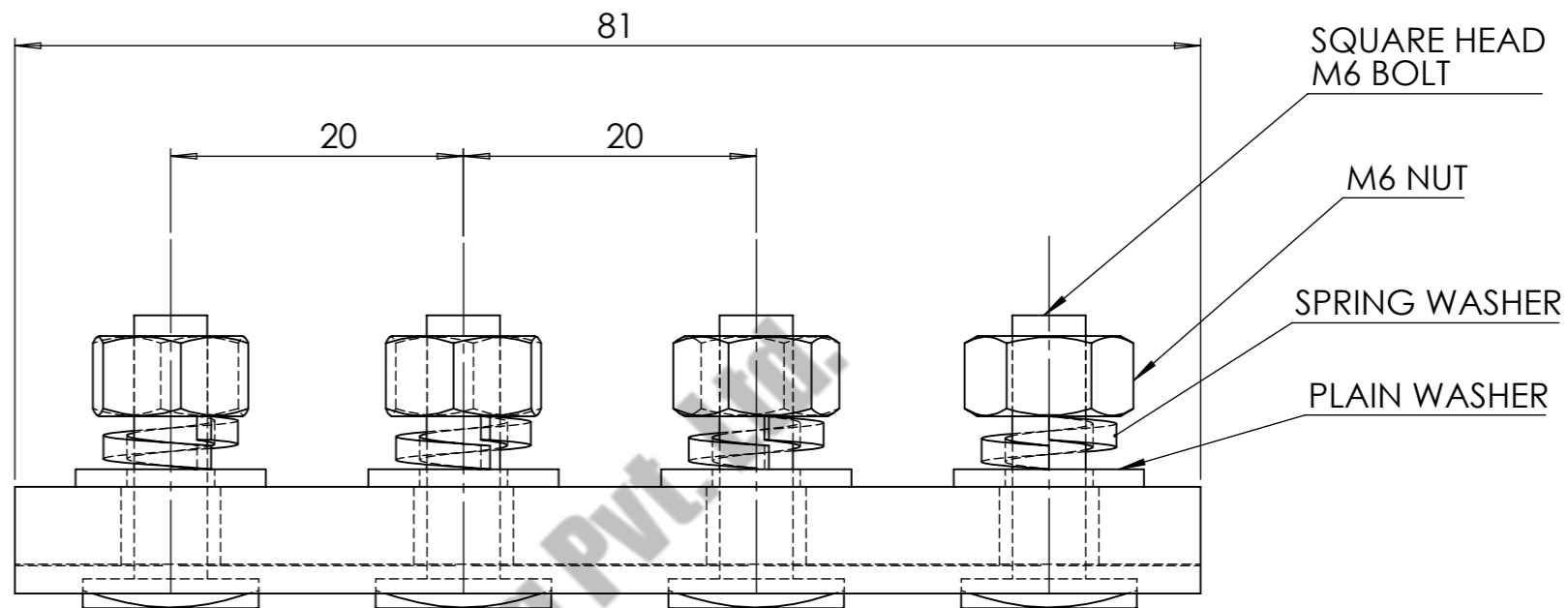
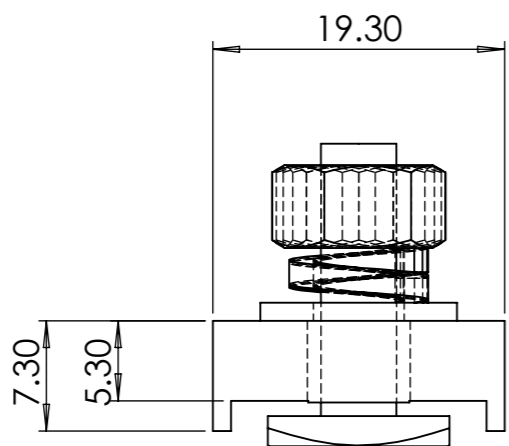
A




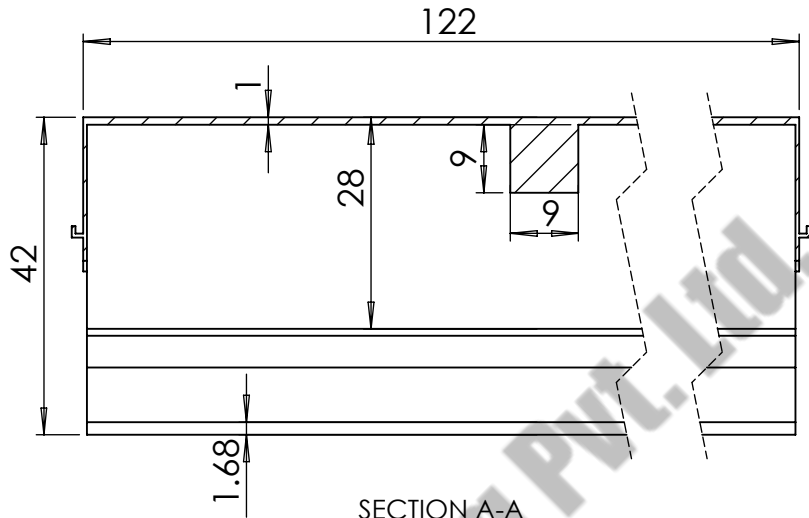
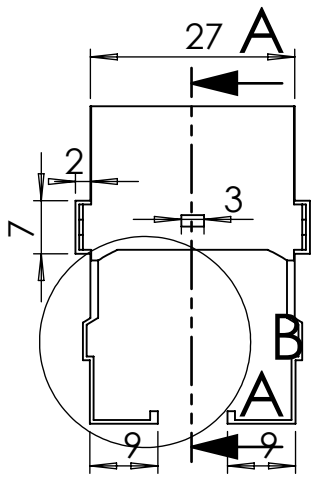
SECTION A-A
SCALE 1 : 1.3

DETAIL B
SCALE 2 : 1

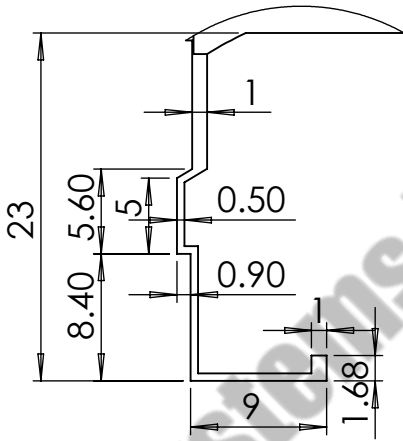
COMPANY NAME:		ANAND SYSTEM ENGINEERING PVT LTD		DO NOT SCALE DRAWING.	REVISION:
		Email id: info@anandcontrol.in CONTACT NO: 9137620579		TITLE: EXPANSION JOINT ASSEMBLY W-TYPE 2D	
FINISH:		DATE:		SIGNATURE:	
MATERIAL:		SCALE:		SHEET: 1 OF 1	
WEIGHT:		DRAWN: SAURABH		A	
		CHK'D:			
		APP'D:			
		MFG:			



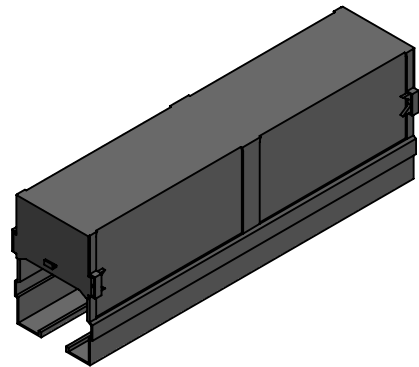
COMPANY NAME:		ANAND SYSTEM ENGINEERING PVT LTD		DO NOT SCALE DRAWING.	REVISION:
		<p>ANAND SYSTEM ENGINEERING PVT LTD</p>		TITLE: JOINT CLAMP ASSEMBLY W TYPE 2D ALU 1	
Email id: info@anandcontrol.in		FINISH:		DWG NO.	
CONTACT NO: 9137620579				DATE:	
DRAWN	SAURABH			SIGNATURE:	
CHK'D					
APPY'D					
MFG				SCALE:	
		WEIGHT:		SHEET: 1 OF 1	



SECTION A-A
SCALE 1 : 1



DETAIL B
SCALE 2 : 1



COMPANY NAME:



**ANAND SYSTEM
ENGINEERING PVT LTD**

DO NOT SCALE DRAWING.

REVISION:

TITLE:

**JOINT COVER
W-TYPE 2D**

Email id: info@anandcontrol.in

CONTACT NO: 9137620579

FINISH:

DWG NO.

DATE:

SIGNATURE:

DRAWN	SAURABH
CHK'D	
APP'D	
MFG	

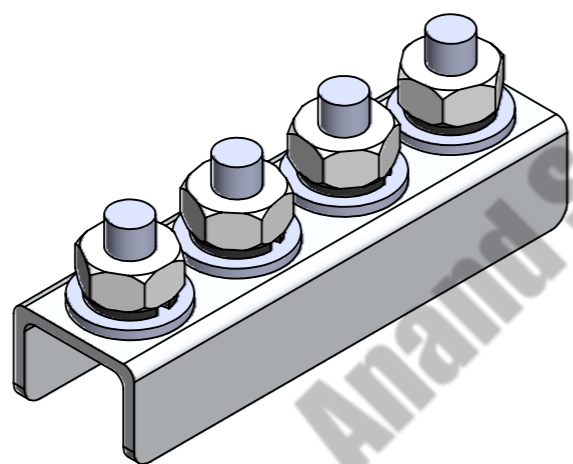
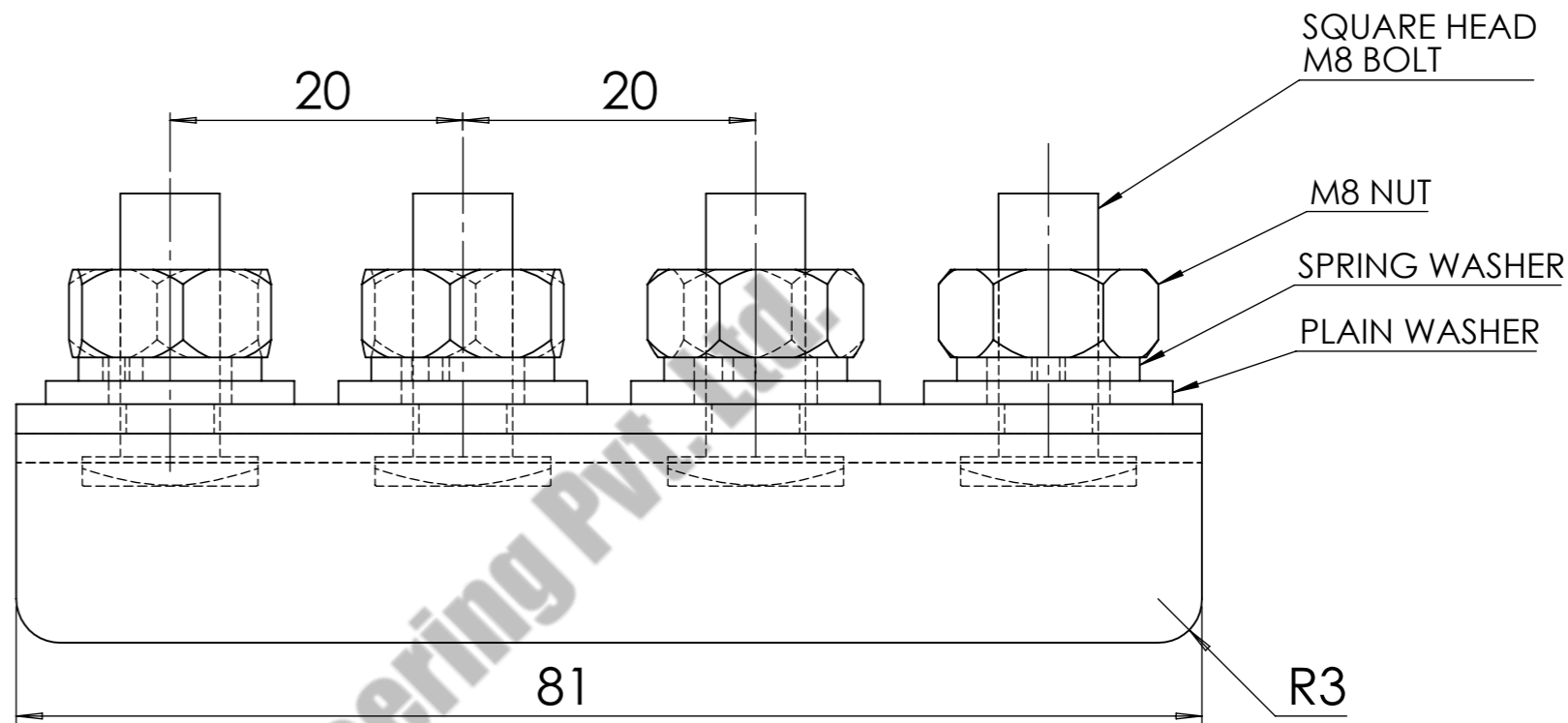
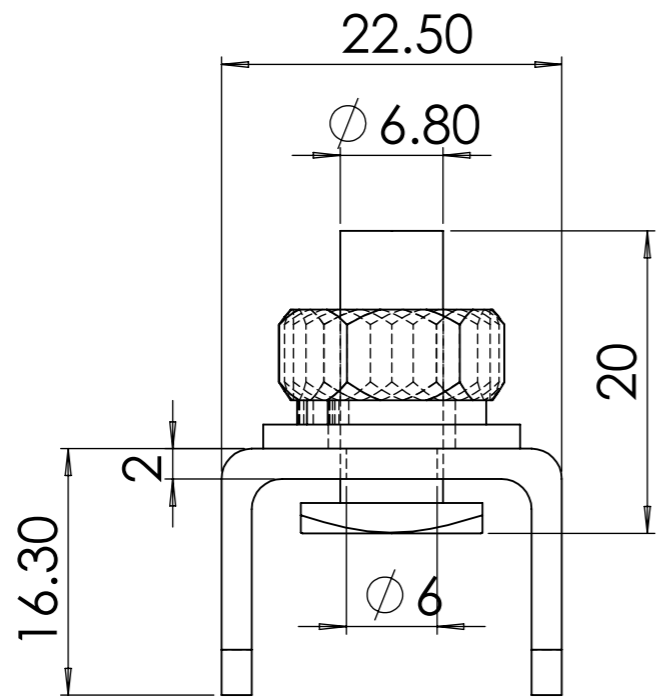
MATERIAL:


WEIGHT:

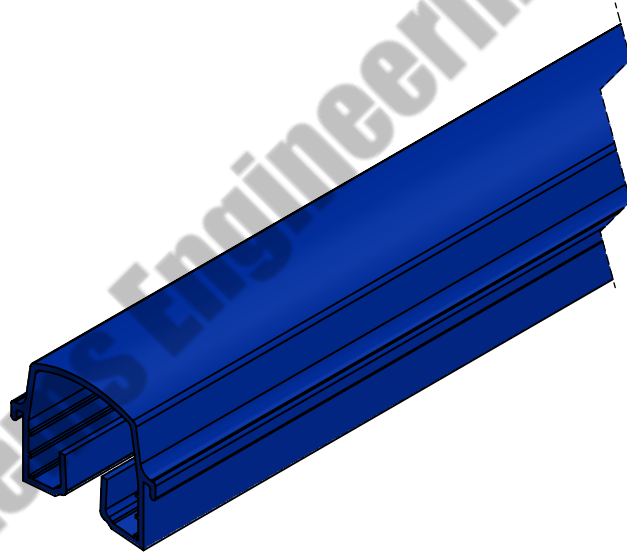
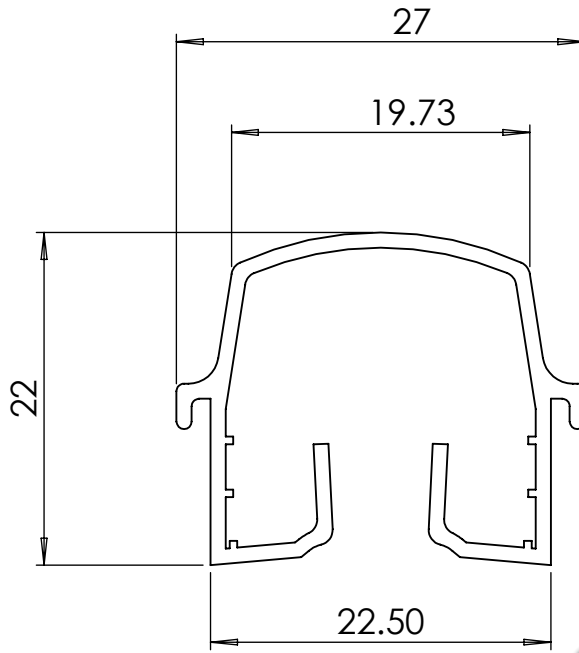
SCALE:

SHEET: 1 OF 1

A



COMPANY NAME:		DO NOT SCALE DRAWING.		REVISION:	
 ANAND SYSTEM ENGINEERING PVT LTD		TITLE:			
		POWER FEED CLAMP ASSEMBLY W TYPE 2D ALU			
Email id: info@anandcontrol.in		FINISH:		DWG NO.	
CONTACT NO: 9137620579				DATE:	
DRAWN: SAURABH		MATERIAL:		SIGNATURE:	
CHK'D:				A	
APPY'D:					
MFG:		WEIGHT:		SCALE:	SHEET: 1 OF 1



COMPANY NAME:



ANAND SYSTEM
ENGINEERING PVT LTD

DO NOT SCALE DRAWING.

REVISION:

TITLE:

SLEEVE W
TYPE 2D

Email id: info@anandcontrol.in

CONTACT NO: 9137620579

FINISH:

DWG NO.

DATE:

SIGNATURE:

DRAWN	SAURABH
CHK'D	
APP'D	
MFG	

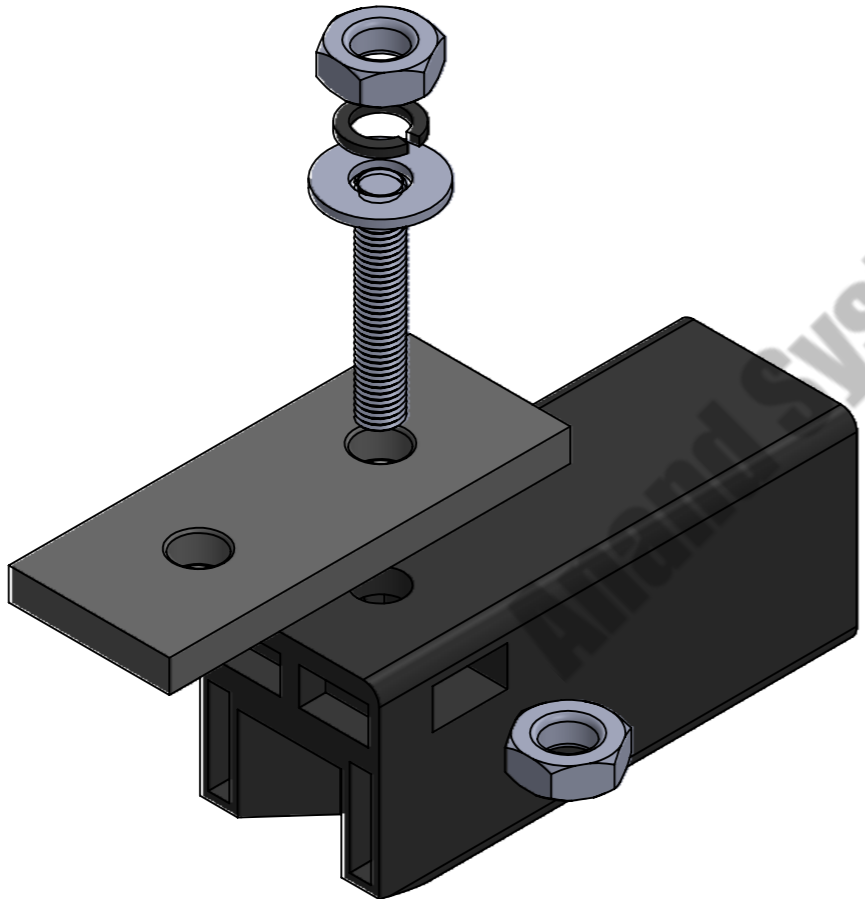
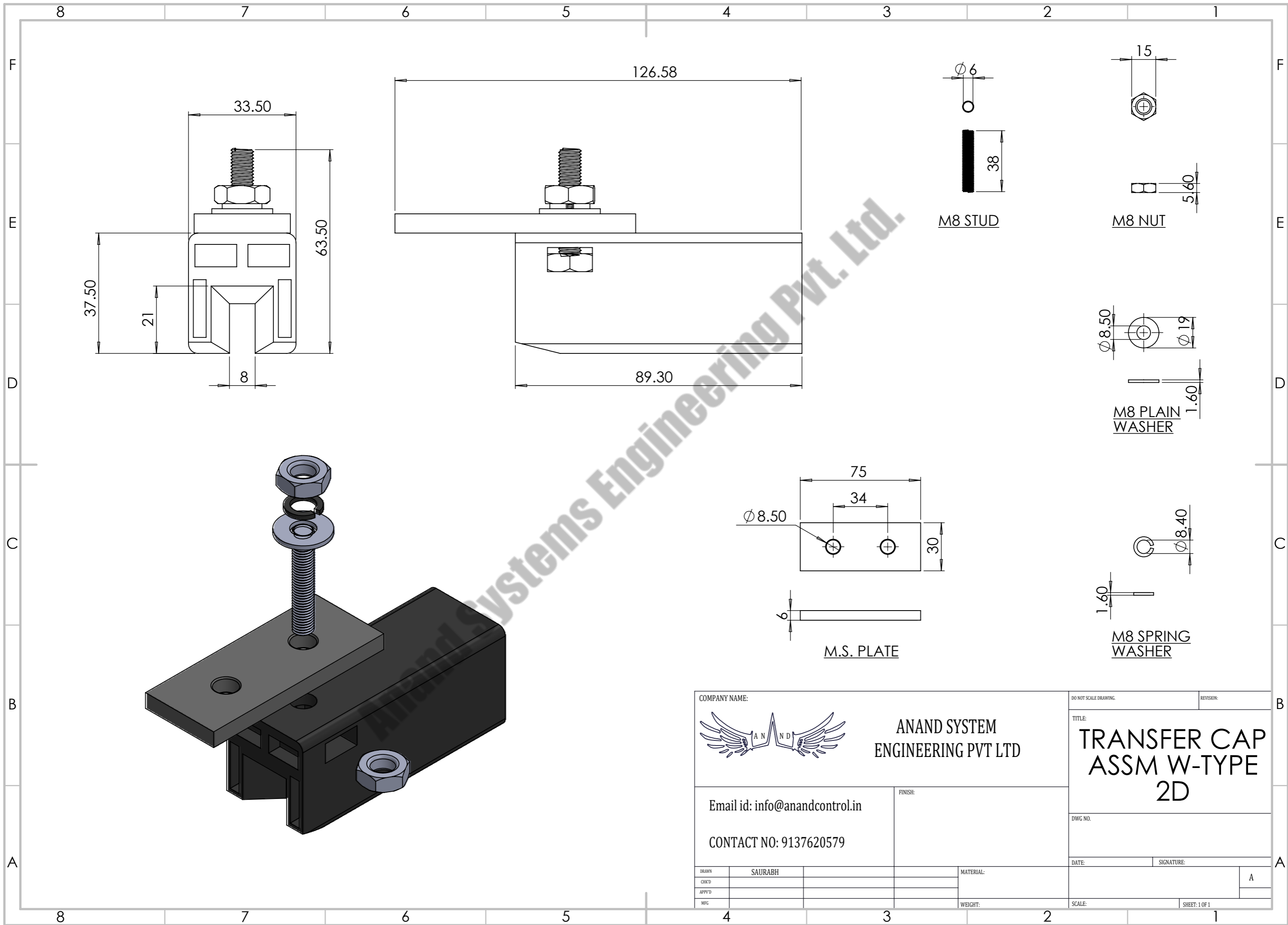
MATERIAL:


WEIGHT:

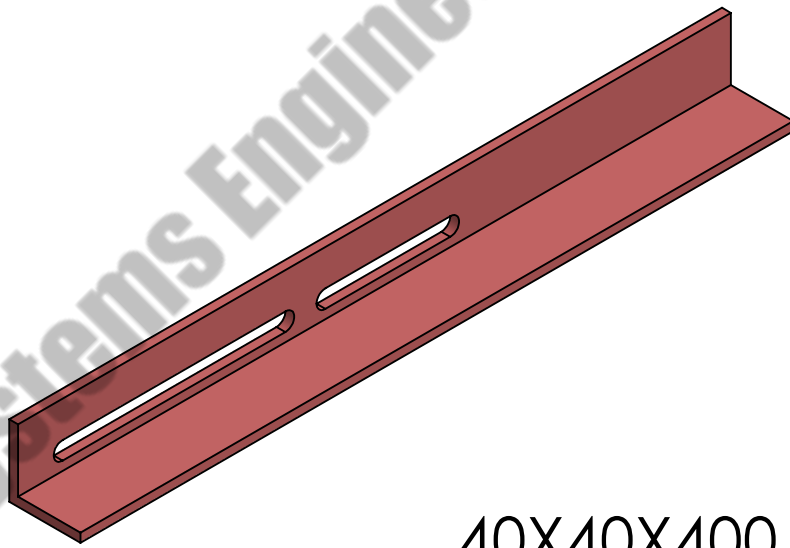
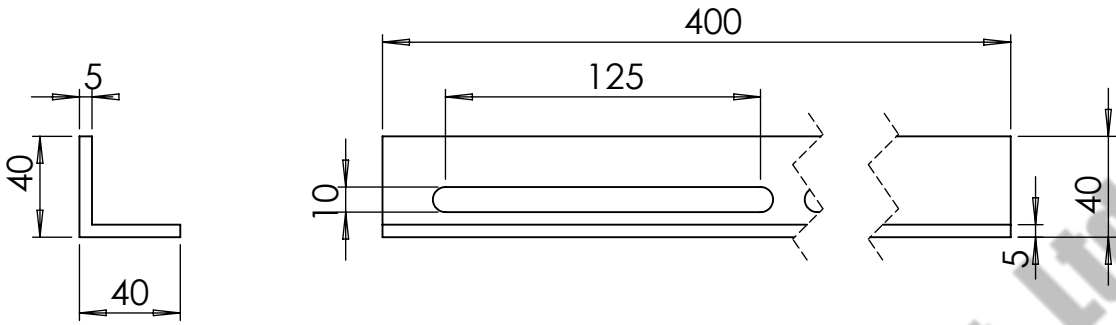
SCALE:

SHEET: 1 OF 1

A



COMPANY NAME:		ANAND SYSTEM ENGINEERING PVT LTD		DO NOT SCALE DRAWING.	REVISION:
		Email id: info@anandcontrol.in CONTACT NO: 9137620579		TITLE: TRANSFER CAP ASSM W-TYPE 2D	
FINISH:		MATERIAL:		DWG NO.	
DATE:		SIGNATURE:		A	
DRAWN: SAURABH	CHK'D:	APPY'D:	MFG:	WEIGHT:	SCALE:
				SHEET: 1 OF 1	



40X40X400, THK-5
MM

COMPANY NAME:



ANAND SYSTEM
ENGINEERING PVT LTD

DO NOT SCALE DRAWING.

REVISION:

TITLE:

Web-Bracket
400 W TYPE 2D

Email id: info@anandcontrol.in

CONTACT NO: 9137620579

FINISH:

DWG NO.

DATE:

SIGNATURE:

DRAWN	SAURABH	
CHK'D		
APP'D		
MFG		

MATERIAL:

WEIGHT:

SCALE:

SHEET: 1 OF 1

A