

4 3 2 1

F

F

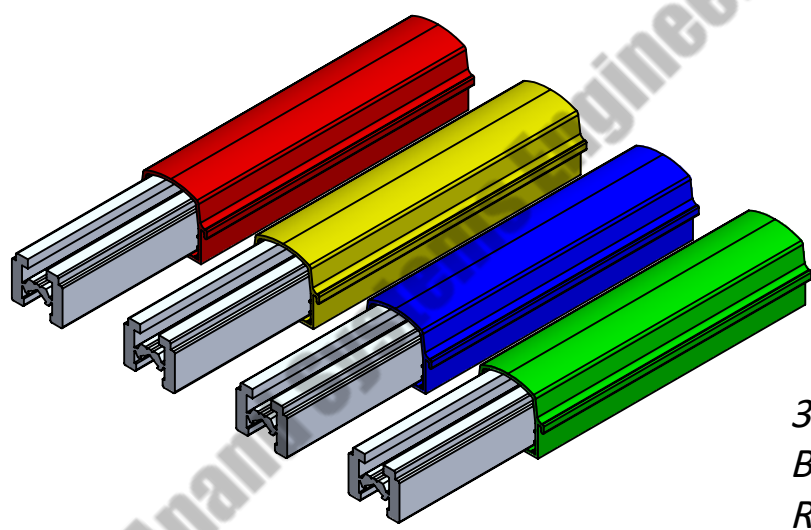
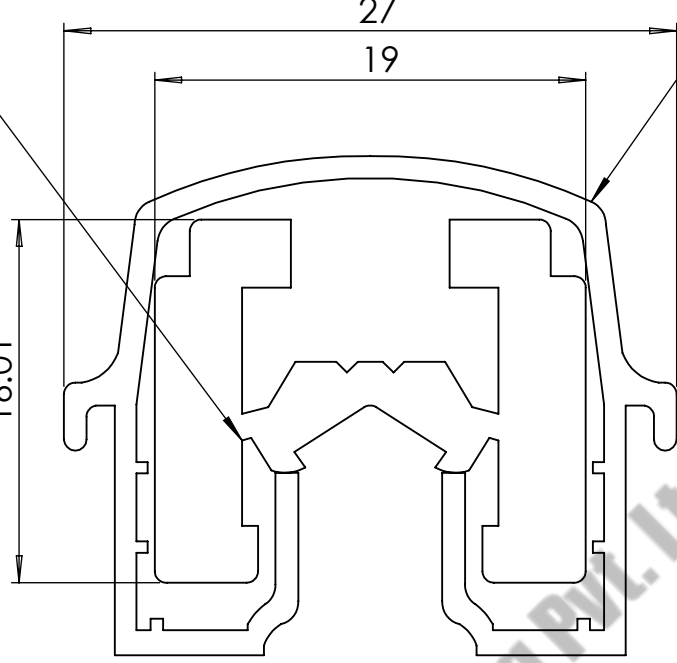
ALUMINIUM

PVC SLEEVE

27

19

16.01



*315AMP- ALUMINIUM- 04
 BAR BOLTED(W) TYPE
 RED YELLOW BLUE GREEN
 COLOUR PVC*

C

C

B

B

COMPANY NAME:



**ANAND SYSTEM
 ENGINEERING PVT LTD**

DO NOT SCALE DRAWING.

REVISION:

TITLE:

**Safelink W
 315Amp ALU
 RYBG 2D**

Email id: info@anandcontrol.in

CONTACT NO: 9137620579

FINISH:

DWG NO.

DATE:

SIGNATURE:

A

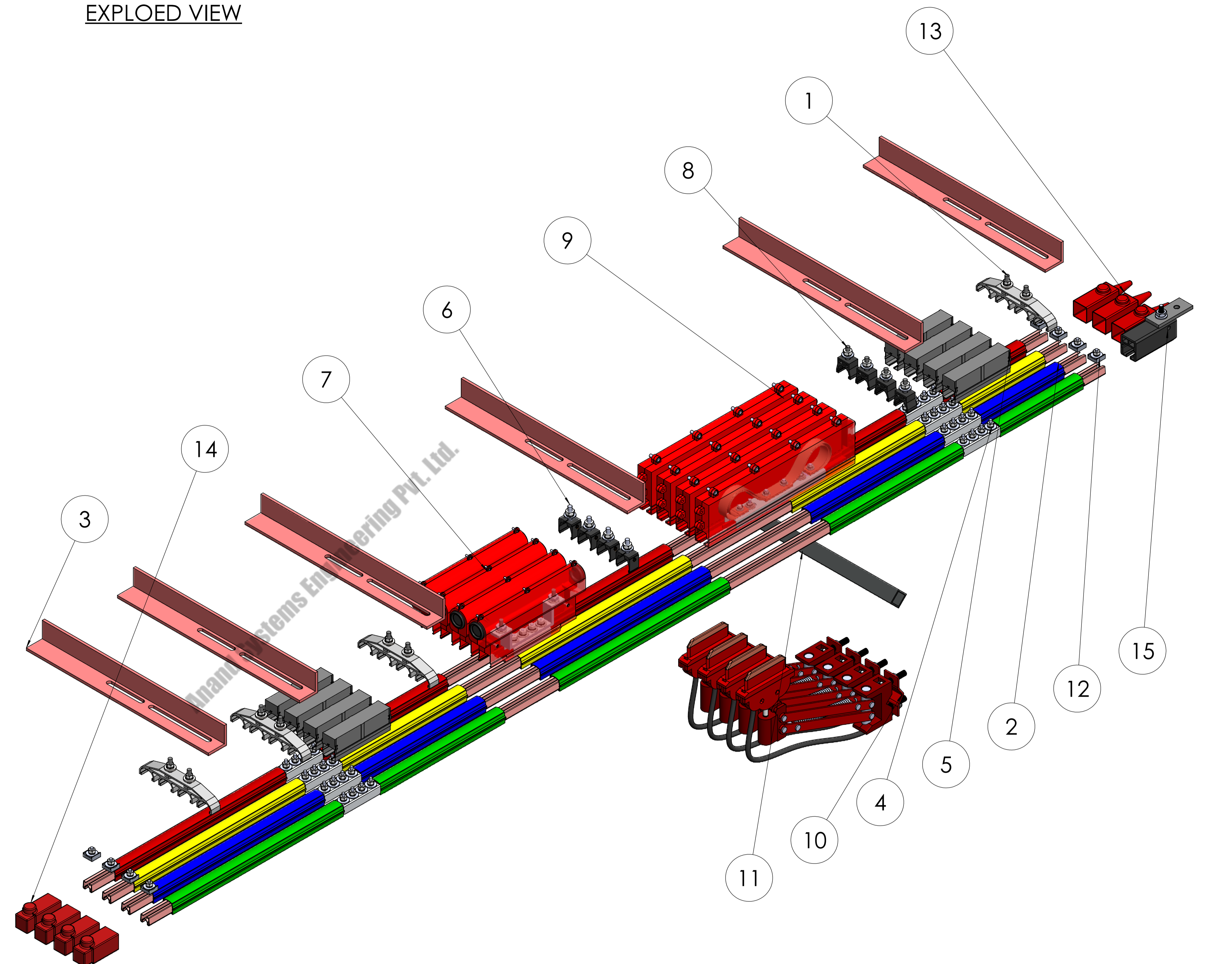
A

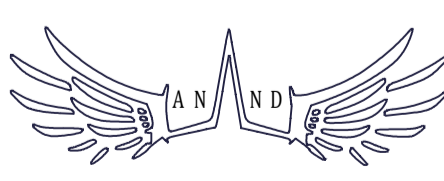
DRAWN	SAURABH			MATERIAL:			
CHK'D							A
APP'D							
MFG				WEIGHT:		SCALE:	SHEET: 1 OF 1

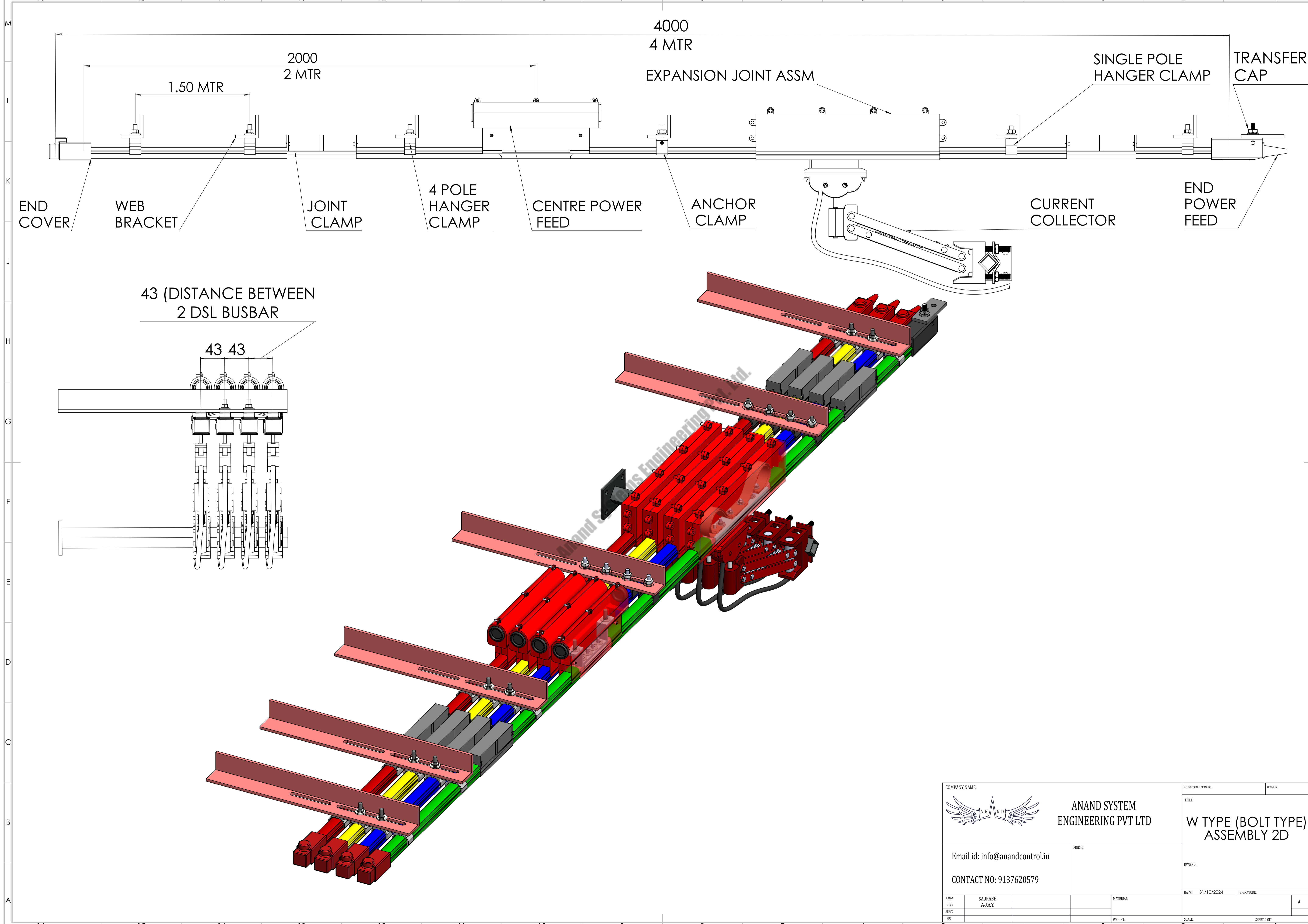
4 3 2 1

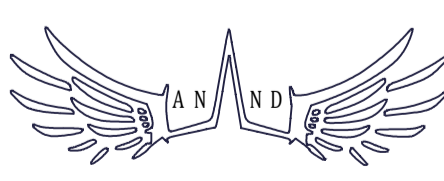
ITEM NO.	PART NAME	DESCRIPTION	MATERIAL	QTY.
1	4 POLE HANGER CLAMP W TYPE.ASSEMBLY	158X29X20	DELTRIN	4
	4 POLE HANGER CLAMP CC	158X29X20	DELTRIN	1
	HEX BOLT	M8, 8X20, END COVER FIXING	M.S.	2
	PLAIN WASHER	19X8.5X1.5	M.S.	2
	HEX NUT	M6	M.S.	2
	SPRING WASHER	M8	SPRING STEEL 4454 GRADE-02	2
2	BUSBAR ASSEMBLY W TYPE	40X40X400, THK-5 MM		4
	AL-W-type	4500X19X16.5	ALUMINIUM	1
	SLEEVE W TYPE	4415X26X22	PVC	1
3	Web-Bracket W TYPE	35X35, THK-5 MM	M.S.	6
	JOINT CLAMP ASSEMBLY W TYPE	70X28X40	G.I	8
4	HEX NUT	M6	M.S.	4
	PLAIN WASHER	M8	M.S.	4
	POWERFEED CLAMP W-TYPE	16.3X22X81	ALUMINIUM	1
	SPRING WASHER M6 W TYPE	M6	SPRING STEEL 4454 GRADE-02	4
	SQUARE HEAD BOLT W- TYPE	18XM6	M.S.	4
5	JOINT COVER W-TYPE	42X26X102	DELTRIN	8
	ANCHOR CLAMP ASSEMBLY W TYPW	28X30X20	DELTRIN	4
6	ANCHOR CLAMP W TYPE		DELTRIN	2
	HEX_BOLT	M8X25	M.S	1
	HEX NUT	M8	M.S.	1
	PLAIN WASHER	M8	M.S.	1
	SPRING WASHER	M8	SPRING STEEL 4454 GRADE-02	1
7	HEX BOLT	M5X35	M.S.	1
	LOCK NUT	M5	M.S.	1
	CENTER POWERFEED ASSEMBLY W-TYPE	219X105.6X37		4
	CENTER POWERFEED W-TYPE-1		DELTRIN	2
	NUT	M8	M.S.	2
8	PAN HEADED SCREW	SELF THREAD SCREW	M.S.	3
	PAN HEADED SCREW	SELF THREAD SCREW	M.S.	2
	PLAIN WASHER W TYPE	18.5X9X1.5	M.S.	6
	POWER FEED ALU BRACKET	144X37X5.5	ALUMINIUM	1
	GRUMET	Ø 30	RUBBER	2
	POWERFEED CLAMP W-TYPE	16.3X22X81	ALUMINIUM	1
	SPRING WASHER	M8	SPRING STEEL 4454 GRADE-02	6
	SQUARE HEAD BOLT W- TYPE	18XM6	M.S.	4
	HEX BOLT	M8, 8X20	M.S.	2
	HEX NUT	M6	M.S.	4
9	SINGLE POLE HANGER CLAMP W-TYPE ASSM	28X37X19.3		4
	SINGLE POLE HANGER CLAMP W-TYPE			1
	HEX BOLT	M8, 8X20	M.S.	1
	HEX NUT	M8	M.S.	1
	PLAIN WASHER	M8	M.S.	1
10	SPRING WASHER	M8	SPRING STEEL 4454 GRADE-02	1
	EXPANSION JOINT ASSEMBLY W-TYPE	321X80X30		4
	CLAMP EXPANSION W-TYPE			1
	END CLAM EXPANSION	16.5X23.5X22	G.I	6
	DSL_NEW-1	DSL BUSBAR WITH SLEEVE		1
	WASHER-1	18X8X1.5	M.S.	1
	COPPER SLEEVE	20X20	COPPER	4
	COPPER SLEEVE 2	20X59	COPPER	2
	PLAIN WASHER	M6	M.S.	1
	NUT	M6	M.S.	1
11	COPPER-FLAT-COIL 2 W-TYPE		COPPER	2
	COPPER-FLAT-COIL-1 W-TYPE		COPPER	2
	EXPANSION JOINT COVER W-TYPW		DELTRIN	2
	SQUARE HEAD BOLT W- TYPE	18XM6	M.S.	6
	HEX BOLT	M4X10	M.S	4
	HEX NUT	M4	M.S.	4
	CURRENT COLLECTOR 100 AMP ASSM	230X332		4
	ARM 1	220X15.5X3	M.S.	4
	LOWER BRACKET	56X73X30	CASTING	1
	LOWER PIN	16X70	M.S.	1
12	VERTICAL LEVER CC	50X61X24	CASTING	1
	SPACER PIN	26X Ø 6	M.S.	6
	UPPER BRACKET	108.5X43X10	PLASTIC	2
	VERTICAL STUD	104X Ø 7	M.S.	1
	SHOE HOLDER	108.5X20X40	PLASTIC	1
	CONTACT PATTI	87X47X3	COPPER	1
	SPRING	Ø 13.5X22	SPRING STEEL 4454 GRADE-02	1
	LOWER BRACKET CC 2	70X30X3	M.S.	1
	HEX BOLT	8X40	M.S.	2
	NUT	M8	M.S.	2
13	PLAIN WASHER W TYPE	18.5X9X1.5	M.S.	2
	HEX NUT	M4	M.S.	2
	TENSION SPRING	Ø 15X115	SPRING STEEL 4454 GRADE-02	1
	wire	105 SQ MM, 1mtr		1
	C.C-Bracket 100 AMP	80X60XTHK-6, SQ-25X25X400	M.S.	1
14	END CLAMP ASSEMBLY W TYPE			8
	END CLAMP W TYPE			8
	SQUARE HEAD BOLT W- TYPE	18XM6	M.S.	8
	HEX NUT	M6	M.S.	8
	SPRING WASHER M6 W TYPE	M6	SPRING STEEL 4454 GRADE-02	8
15	PLAIN WASHER	M8	M.S.	8
	END POWER FEED COVER W-TYPE	112X30X35	PVC	3
16	END COVER W TYPE	73X39X30	PVC	4
	TRANSFER CAP ASSM W-TYPE			1
	HEX BOLT	M8X50	M.S.	1
	NUT	M8	M.S.	2
	PLAIN WASHER	M8	M.S.	1
17	SPRING WASHER	M8	SPRING STEEL 4454 GRADE-02	1
	TRANSFER CAP BODY W-TYPE	37.5X33.5X89.3		1
	TRANSFER CAP M.S. PLATE W-TYPE 2D.PDF	75 X36X6	M.S.	1

EXPLODED VIEW



COMPANY NAME:  ANAND SYSTEM ENGINEERING PVT LTD		DO NOT SCALE DRAWING REVISION:
Email id: info@anandcontrol.in CONTACT NO: 9137620579		TITLE: W TYPE (BOLT TYPE) ASSEMBLY 2D
DRAWN: SAURABH CKD: AJAY APPD: MFC:	MATERIAL: WEIGHT:	DWG NO: DATE: SIGNATURE:
SCALE:		SHEET: 1 OF 1



COMPANY NAME:		ANAND SYSTEM ENGINEERING PVT LTD		DO NOT SCALE DRAWING	REVISION:
		Email id: info@anandcontrol.in CONTACT NO: 9137620579		TITLE: W TYPE (BOLT TYPE) ASSEMBLY 2D	
DATE:	31/10/2024	SIGNATURE:		DWG NO.	
SCALE:		WEIGHT:		SHEET: 1 OF 1	
DRWN:	SAURABH	MATERIAL:		A	
CHKD:	AJAY				
APPD:					
MFC:					

4

3

2

1

F

F

E

E

D

D

C

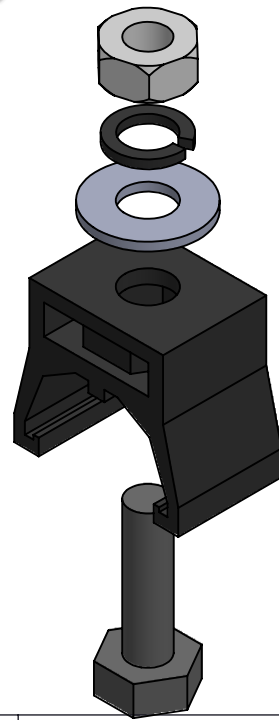
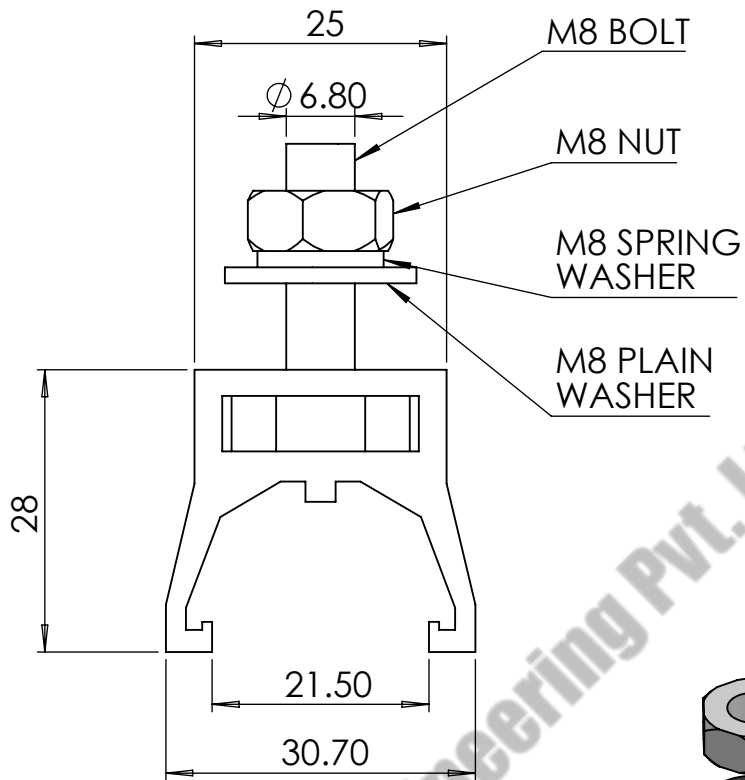
C

B

B

A

A



Anand Systems Engineering Pvt. Ltd.

COMPANY NAME:



**ANAND SYSTEM
ENGINEERING PVT LTD**

DO NOT SCALE DRAWING

REVISION:

TITLE:

**SINGLE POLE
HANGER CLAMP
W-TYPE ASSM 2D**

Email id: info@anandcontrol.in

CONTACT NO: 9137620579

FINISH:

DWG NO.

DATE:

SIGNATURE:

DRAWN	SAURABH
CHK'D	
APP'D	
MFG	

MATERIAL:

WEIGHT:

SCALE:

SHEET: 1 OF 1

4

3

2

1

4

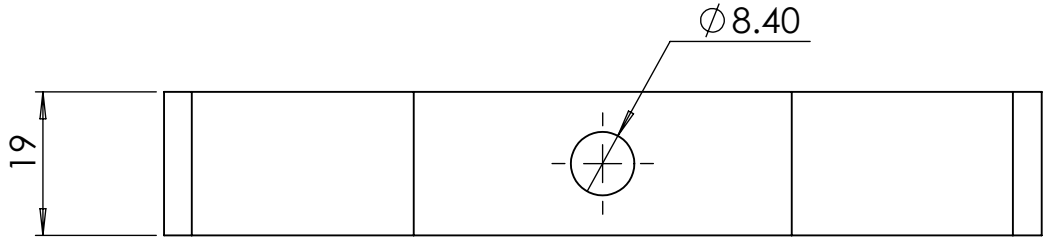
3

2

1

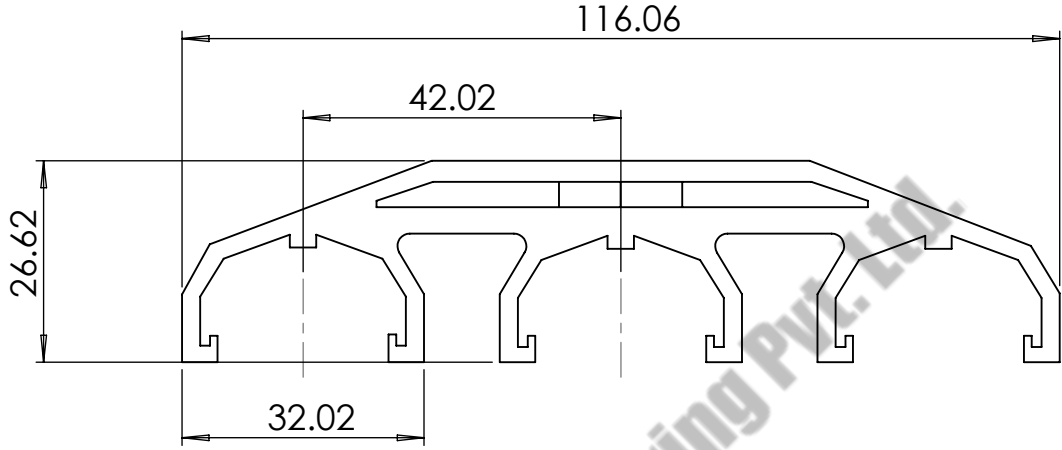
F

F



E

E

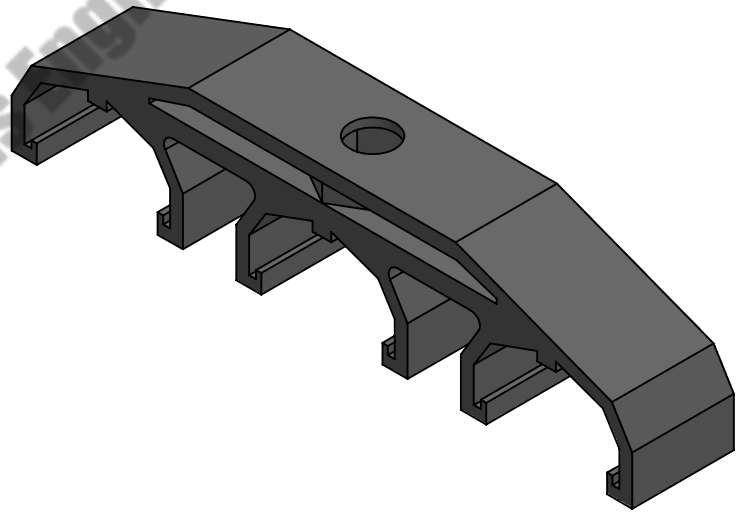


D

D

C

C



B

B

COMPANY NAME:



ANAND SYSTEM
ENGINEERING PVT LTD

DO NOT SCALE DRAWING.

REVISION:

TITLE:

3 POLE HANGER
CLAMP W TYPE
2D

Email id: info@anandcontrol.in

FINISH:

CONTACT NO: 9137620579

DWG NO.

A

A

DRAWN	SAURABH
CHK'D	
APP'D	
MFG	

MATERIAL:

DATE:

SIGNATURE:

A

WEIGHT:

SCALE:

SHEET: 1 OF 1

4

3

2

1

4

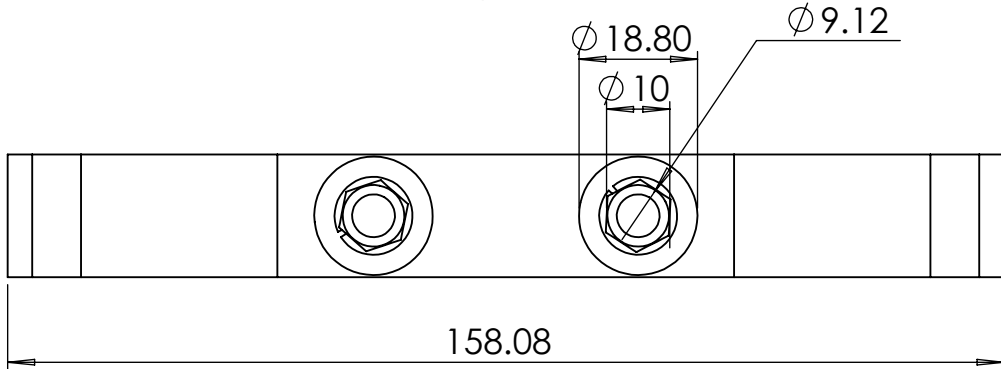
3

2

1

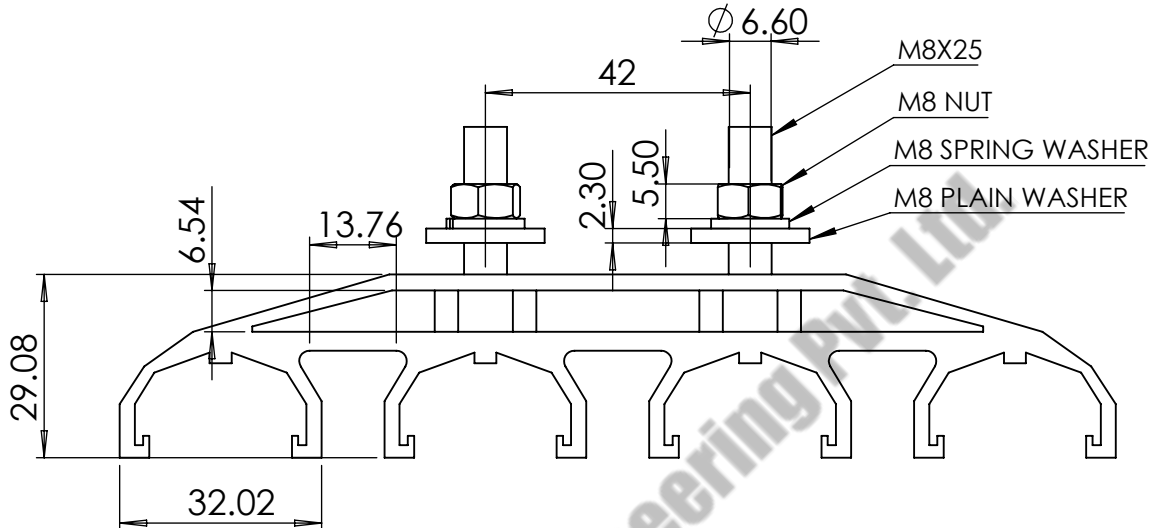
F

F



E

E

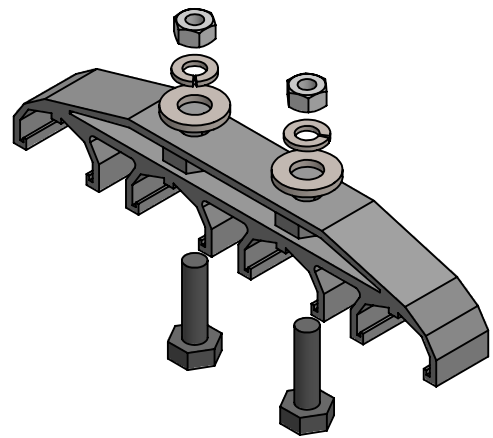


D

D

C

C



Anand Systems Engineering Pvt Ltd

B

B

COMPANY NAME:



**ANAND SYSTEM
ENGINEERING PVT LTD**

DO NOT SCALE DRAWING.

REVISION:

TITLE:

**4 POLE HANGER
CLAMP W
TYPE.ASSEMBLY 2D**

A

A

Email id: info@anandcontrol.in

CONTACT NO: 9137620579

FINISH:

DWG NO.

DATE:

SIGNATURE:

A

DRAWN	SAURABH
CHK'D	
APP'D	
MFG	

MATERIAL:

WEIGHT:

SCALE:

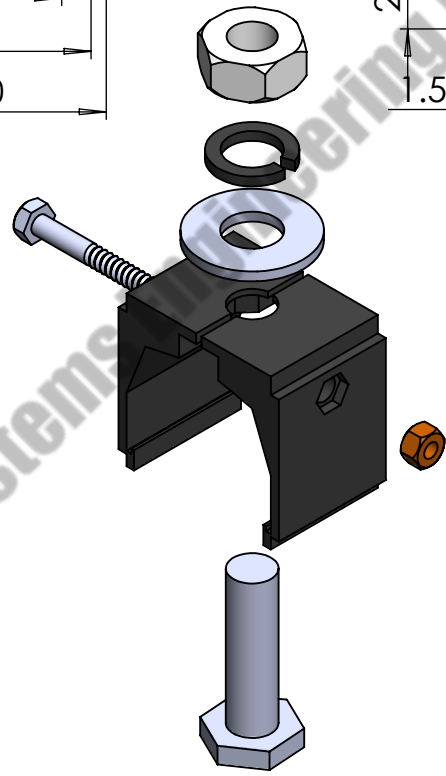
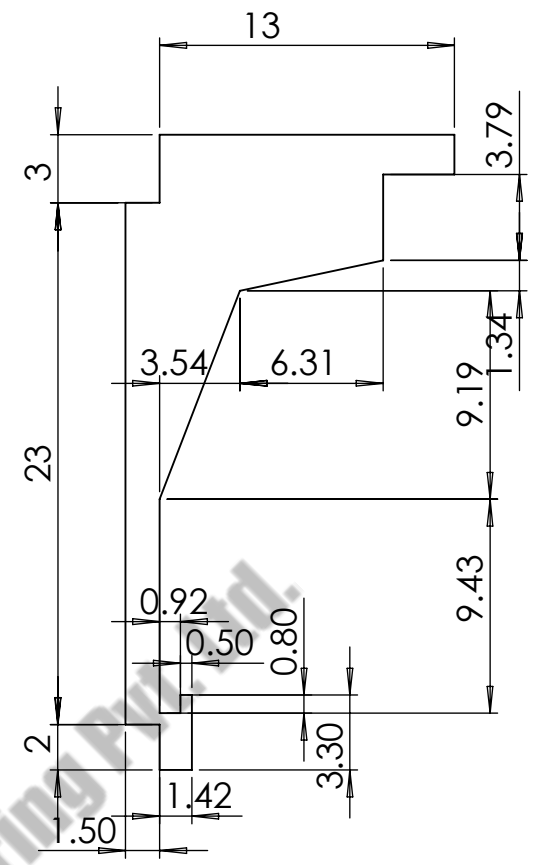
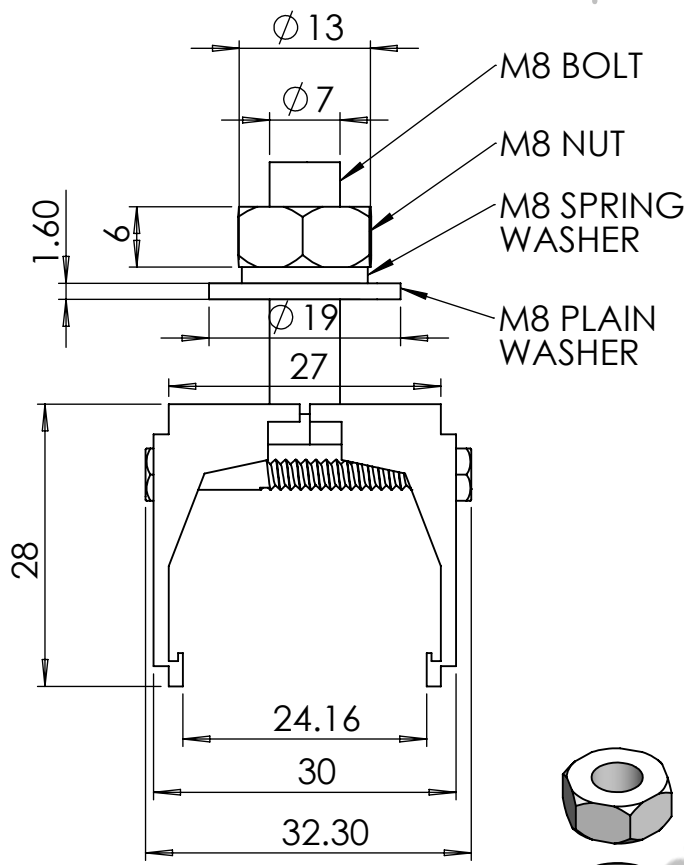
SHEET: 1 OF 1

4


3

2

1



Anand Systems Engineering Pvt Ltd

COMPANY NAME:		DO NOT SCALE DRAWING.		REVISION:	
		ANAND SYSTEM ENGINEERING PVT LTD		TITLE: ANCHOR CLAMP ASSEMBLY W TYPE 2D	
Email id: info@anandcontrol.in CONTACT NO: 9137620579		FINISH:		DWG NO. 28X30X20	
DRAWN: SAURABH		MATERIAL:		DATE: SIGNATURE:	
CHK'D:		WEIGHT:		SCALE: SHEET: 1 OF 1	
APP'D:				A	
MFG:					

4

3

2

1

F

F

E

E

D

D

C

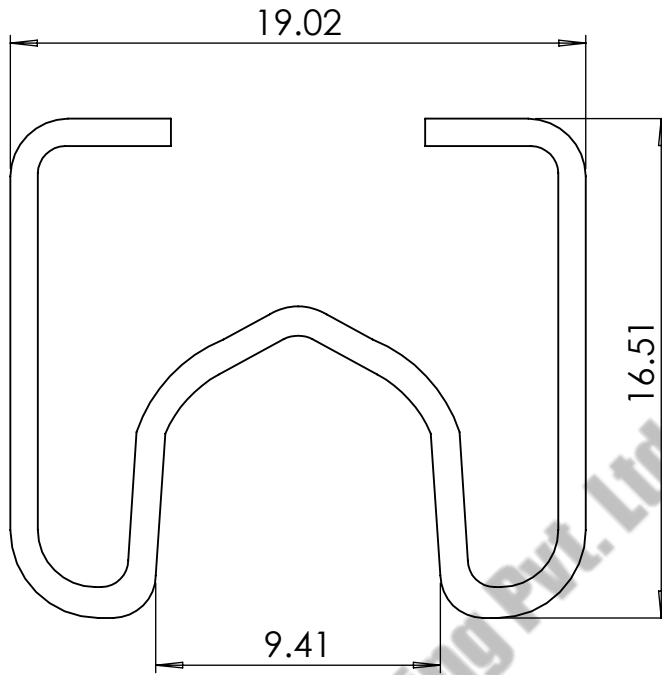
C

B

B

A

A



Anand Systems Engineering Pvt. Ltd.

COMPANY NAME:



**ANAND SYSTEM
ENGINEERING PVT LTD**

DO NOT SCALE DRAWING.

REVISION:

TITLE:

**AL-CU W TYPE
DSL 2D**

Email id: info@anandcontrol.in

CONTACT NO: 9137620579

FINISH:

DWG NO.

DATE:

SIGNATURE:

DRAWN	SAURABH
CHK'D	
APP'D	
MFG	

MATERIAL:

WEIGHT:

SCALE:

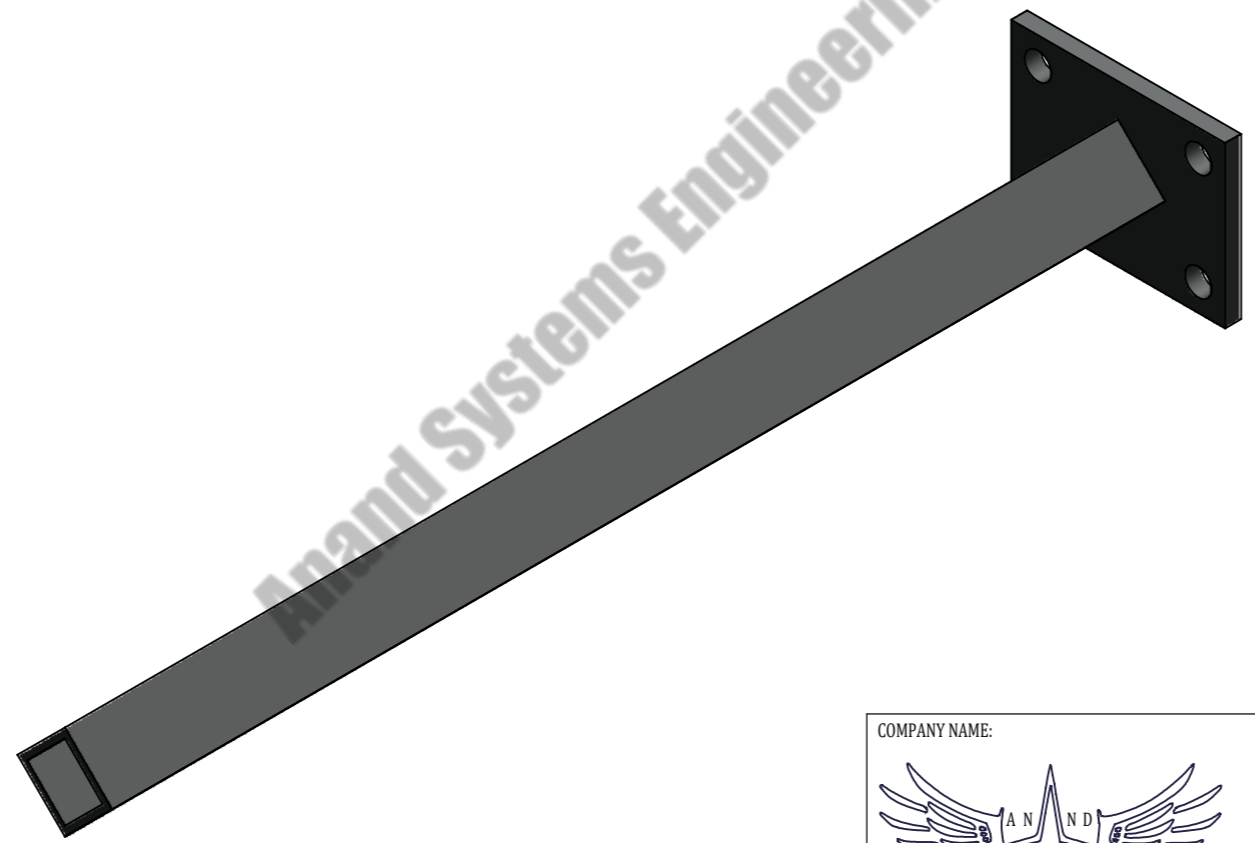
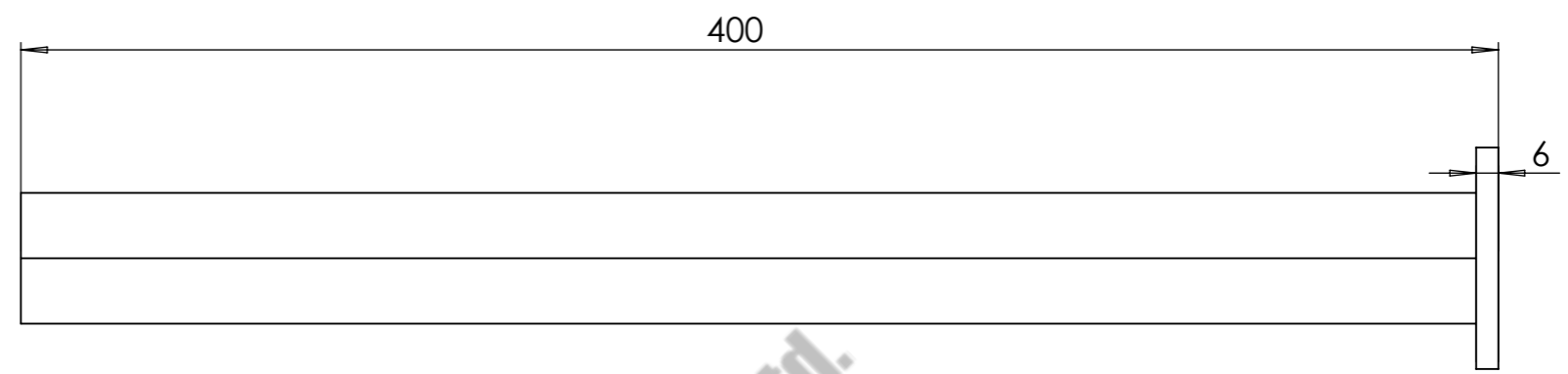
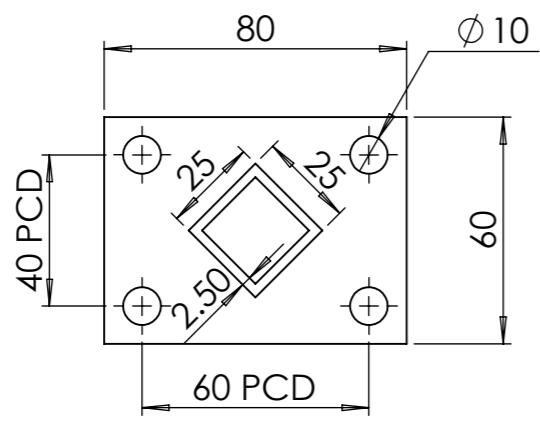
SHEET: 1 OF 1

4


3

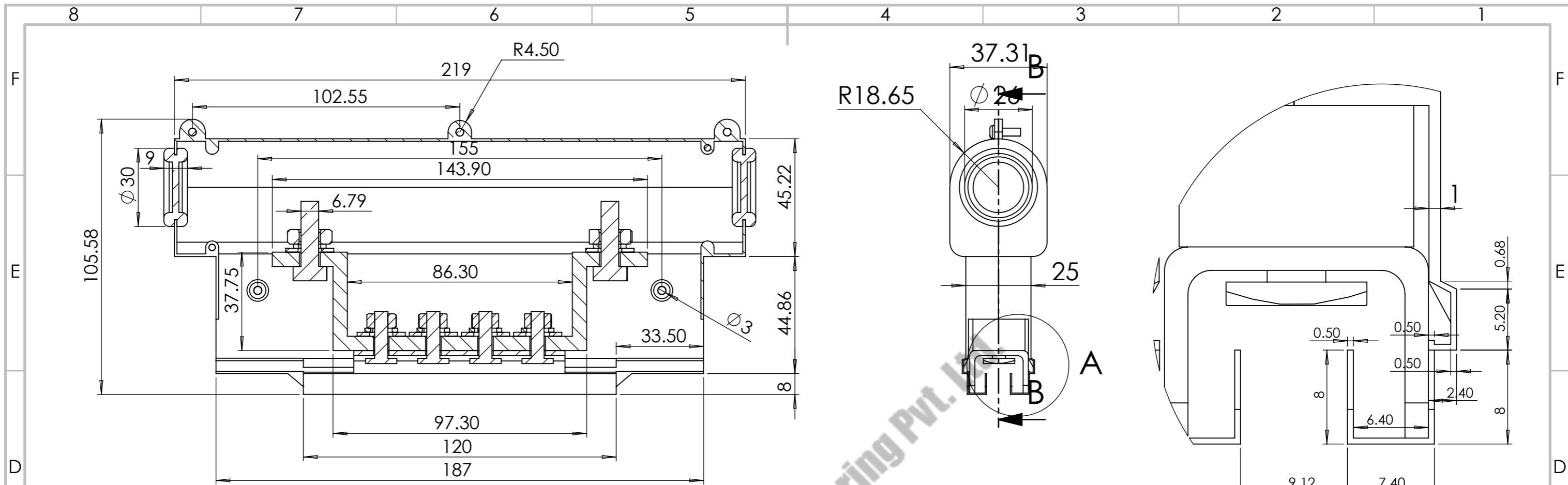
2

1



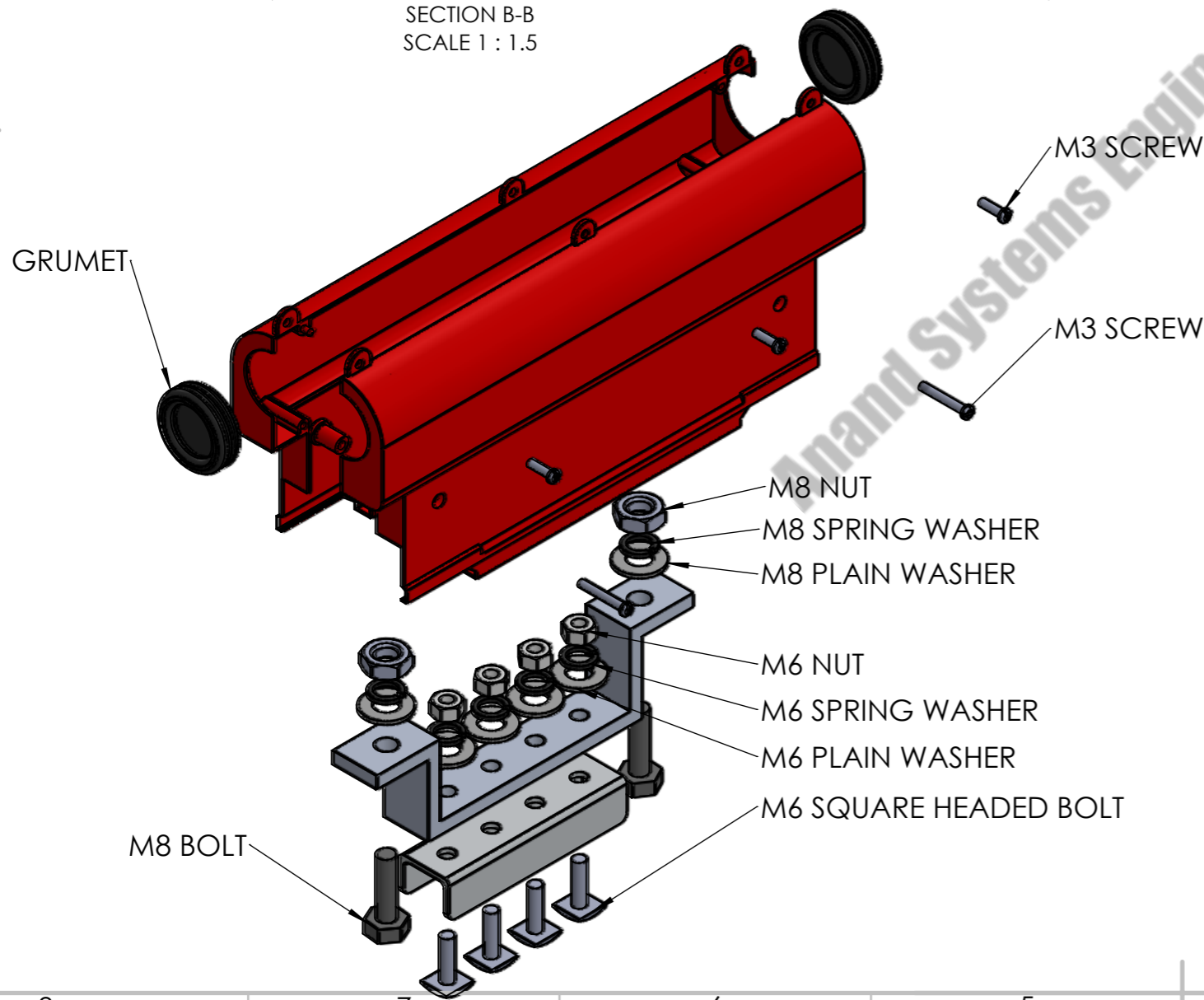
Anand Systems Engineering Pvt. Ltd.


COMPANY NAME:		ANAND SYSTEM ENGINEERING PVT LTD		DO NOT SCALE DRAWING.	REVISION:
		Email id: info@anandcontrol.in CONTACT NO: 9137620579		TITLE: <h1>C.C-Bracket 100 AMP</h1>	
FINISH:		MATERIAL:		DWG NO.	
DATE:		SIGNATURE:		A	
DRAWN	SAURABH			SCALE:	
CHK'D				SHEET: 1 OF 1	
APP'VD					
MFG					



SECTION B-B
SCALE 1 : 1.5

DETAIL A
SCALE 3 : 1



COMPANY NAME:		ANAND SYSTEM ENGINEERING PVT LTD		DO NOT SCALE DRAWING:	REVISION:
		<p>Email id: info@anandcontrol.in</p> <p>CONTACT NO: 9137620579</p>		<p>TITLE:</p> <p>CENTER POWERFEED ASSEMBLY W-TYPE 2D</p>	
FINISH:		DWG NO:		219X105.6X37	
DATE:		SIGNATURE:		A	
DRAWN:	SAURABH	MATERIAL:	SCALE:		
CHK'D:		WEIGHT:	SHEET: 1 OF 1		
APP'D:					
MFG:					

4

3

2

1

F

F

E

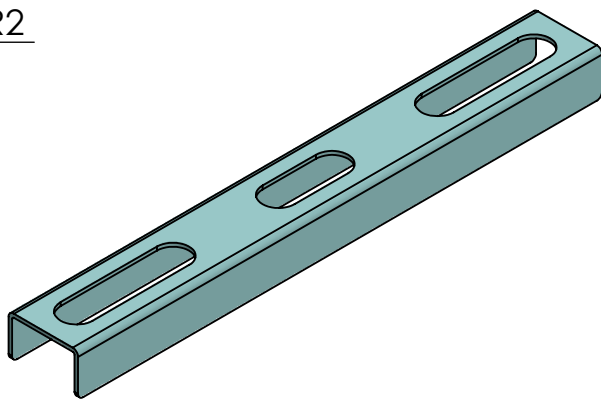
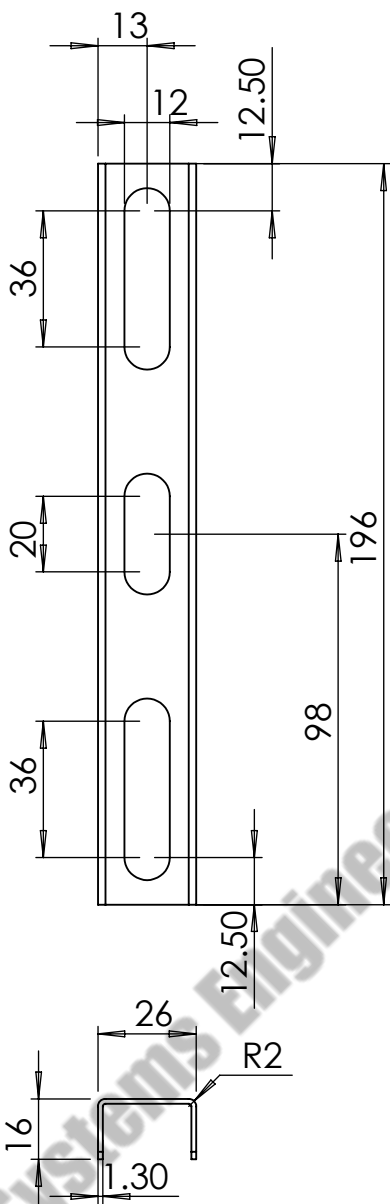
E

D

D

C

C



Anand Systems Engineering Pvt. Ltd.

B

B

COMPANY NAME:



ANAND SYSTEM
ENGINEERING PVT LTD

DO NOT SCALE DRAWING.

REVISION:

TITLE:

CLAMP
EXPANSION
W-TYPE 2D

DWG NO.

A

A

Email id: info@anandcontrol.in

CONTACT NO: 9137620579

FINISH:

DATE:

SIGNATURE:

A

A

DRAWN	SAURABH
CHK'D	
APP'D	
MFG	

MATERIAL:

WEIGHT:

SCALE:

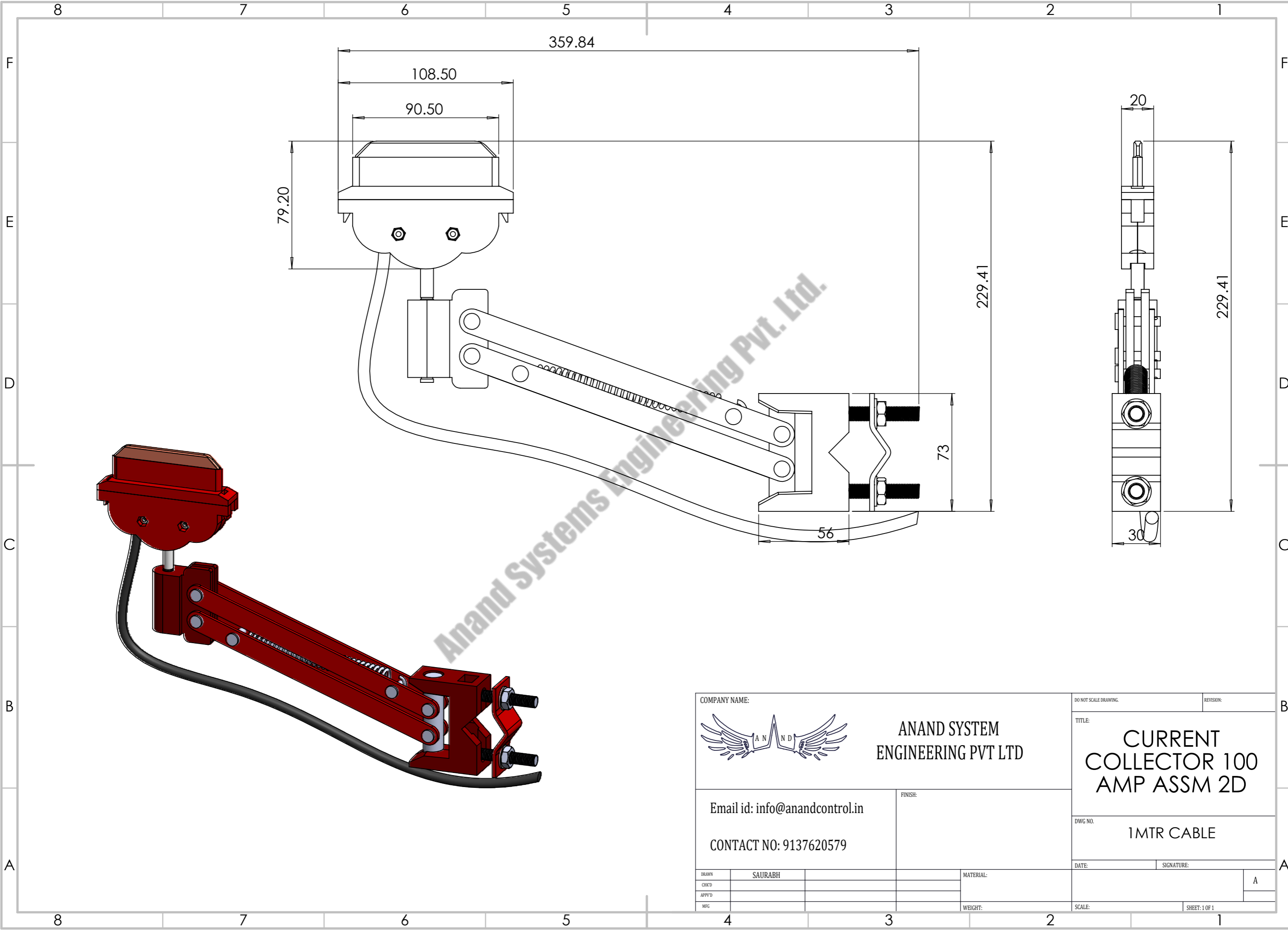
SHEET: 1 OF 1

4


3

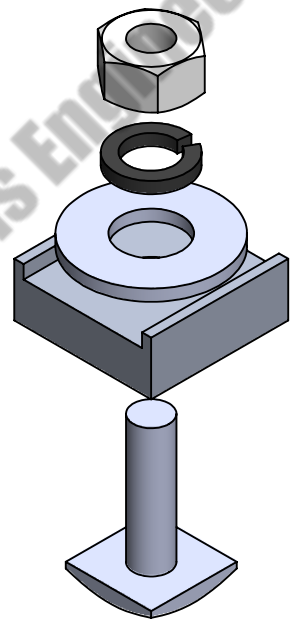
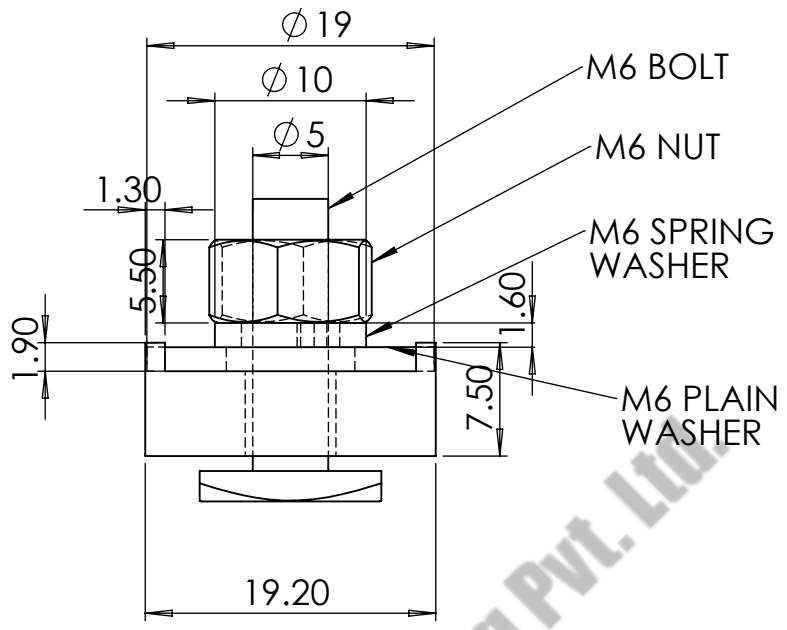
2

1



Anand Systems Engineering Pvt. Ltd.

COMPANY NAME:		ANAND SYSTEM ENGINEERING PVT LTD		DO NOT SCALE DRAWING.	REVISION:
		Email id: info@anandcontrol.in CONTACT NO: 9137620579		TITLE: CURRENT COLLECTOR 100 AMP ASSM 2D	
FINISH:		MATERIAL:		DWG NO. 1MTR CABLE	
DATE:	SIGNATURE:			A	
SCALE:	SHEET: 1 OF 1				



Anand Systems Engineering Pvt. Ltd.

COMPANY NAME:



ANAND SYSTEM
ENGINEERING PVT LTD

DO NOT SCALE DRAWING.

REVISION:

TITLE:

END CLAMP
ASSEMBLY W
TYPE 2D

Email id: info@anandcontrol.in

CONTACT NO: 9137620579

FINISH:

DWG NO.

DATE:

SIGNATURE:

DRAWN	SAURABH
CHK'D	
APP'D	
MFG	

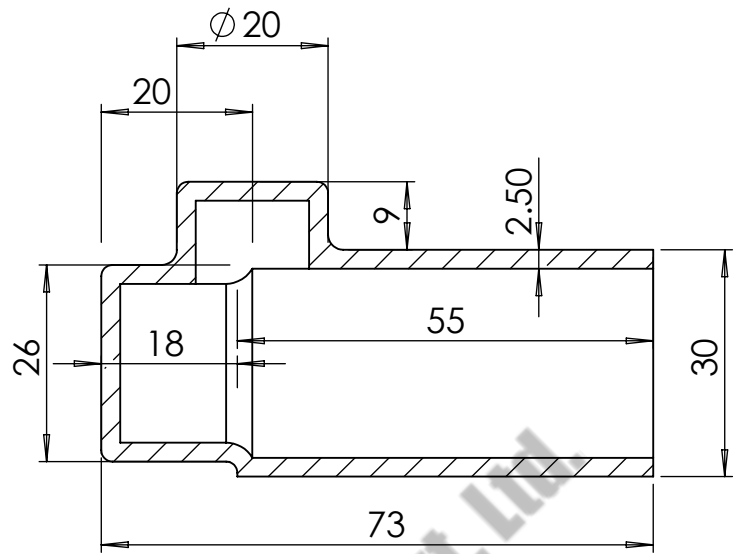
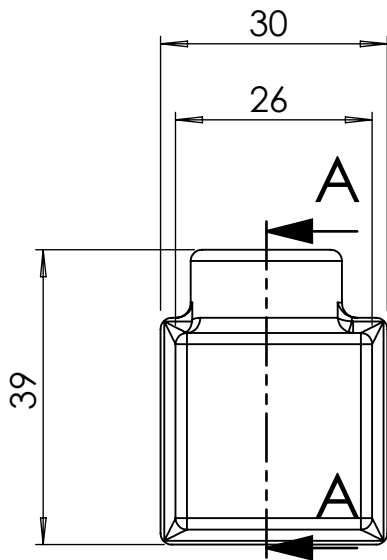
MATERIAL:

WEIGHT:

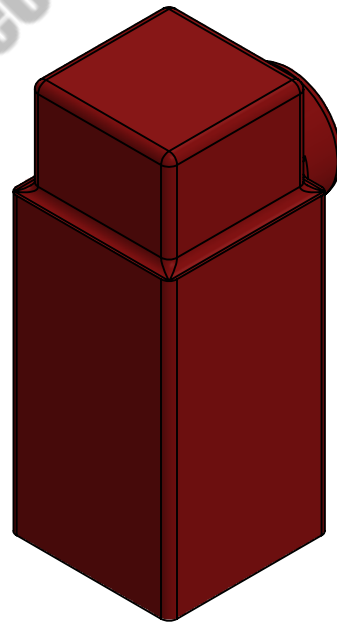
SCALE:

SHEET: 1 OF 1

A



SECTION A-A



Anand Systems Engineering Pvt. Ltd.

COMPANY NAME:



ANAND SYSTEM
ENGINEERING PVT LTD

DO NOT SCALE DRAWING.

REVISION:

TITLE:

END COVER
W TYPE 2D

Email id: info@anandcontrol.in

CONTACT NO: 9137620579

FINISH:

DWG NO.

DATE:

SIGNATURE:

DRAWN	SAURABH
CHK'D	
APP'D	
MFG	

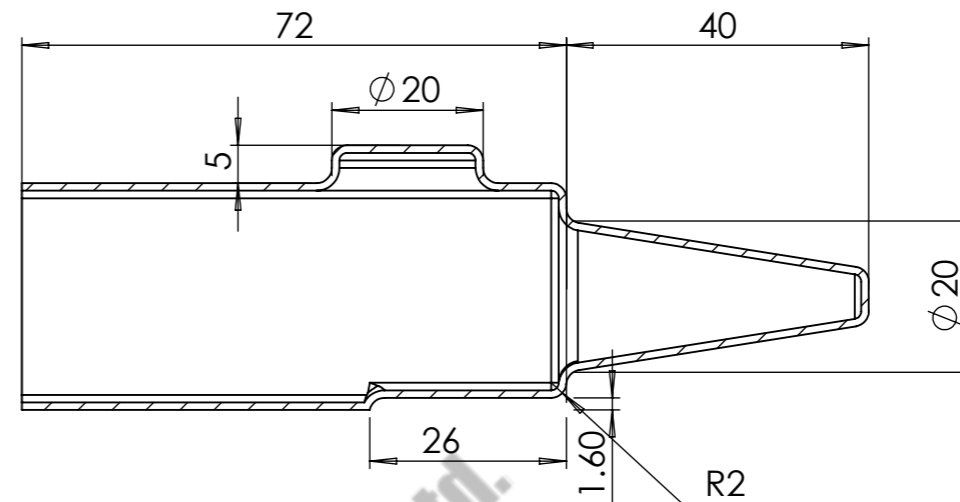
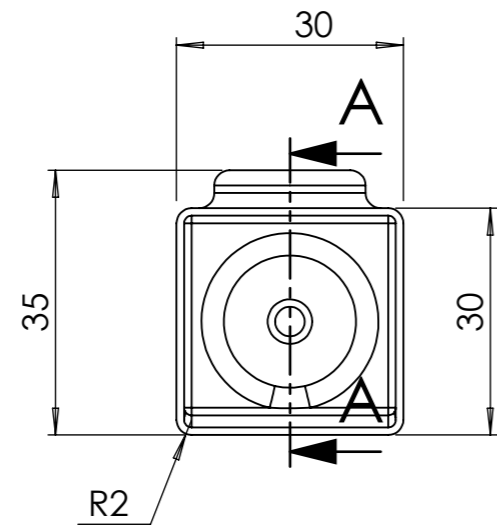
MATERIAL:

WEIGHT:

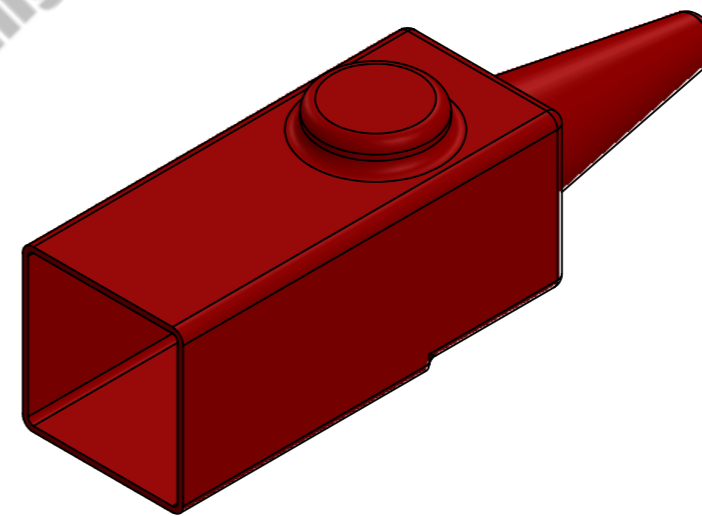
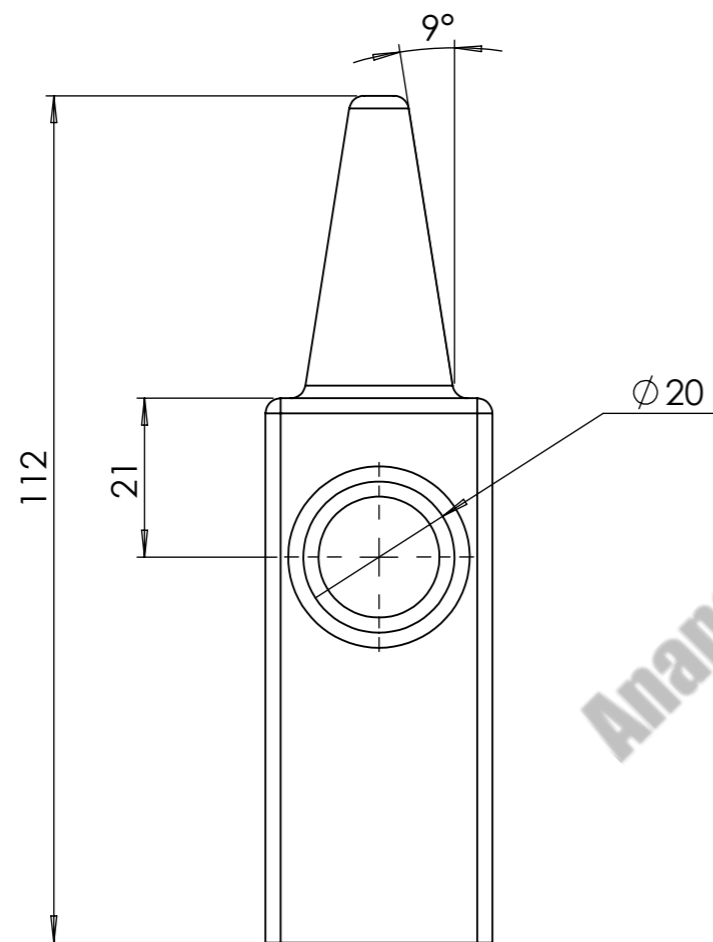
SCALE:

SHEET: 1 OF 1

A



SECTION A-A



Anand Systems Engineering Pvt.Ltd.

COMPANY NAME:



**ANAND SYSTEM
ENGINEERING PVT LTD**

Email id: info@anandcontrol.in

CONTACT NO: 9137620579

FINISH:

DO NOT SCALE DRAWING.

REVISION:

TITLE:

**END POWER FEED
W-TYPE 2D**

DWG NO.

DATE:

SIGNATURE:

DRAWN
CHK'D
APPV'D
MFG

SAURABH

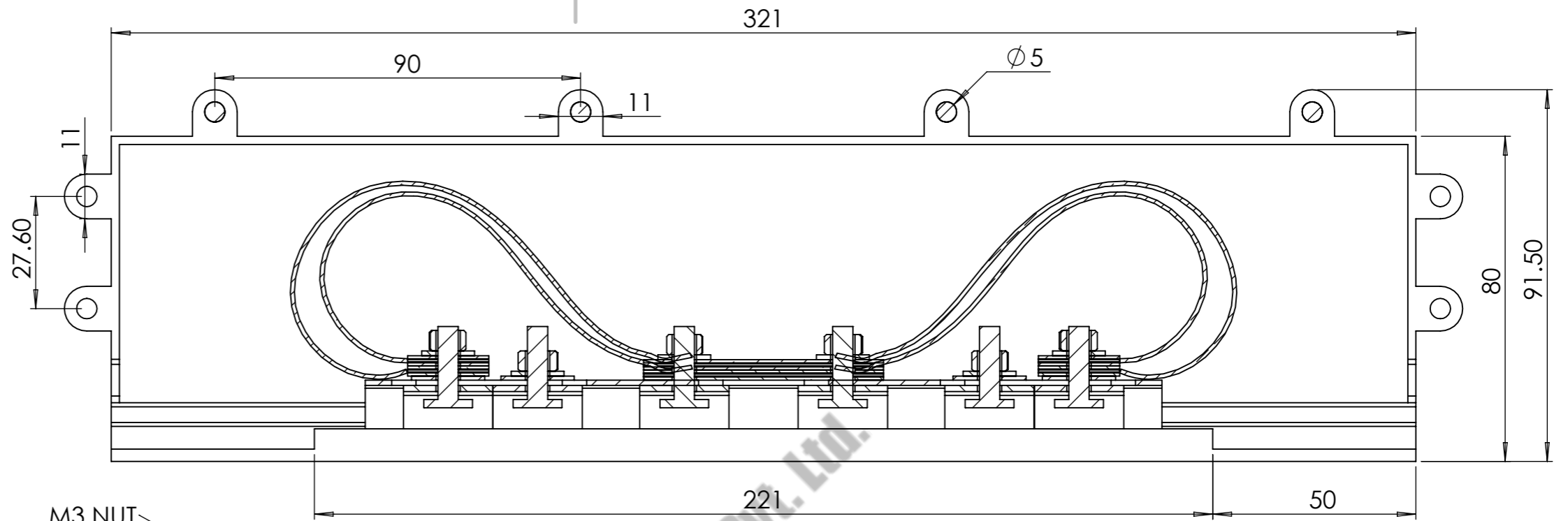
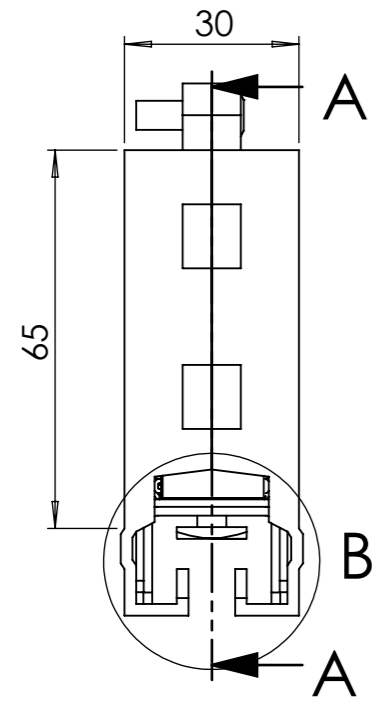
MATERIAL:

WEIGHT:

SCALE:

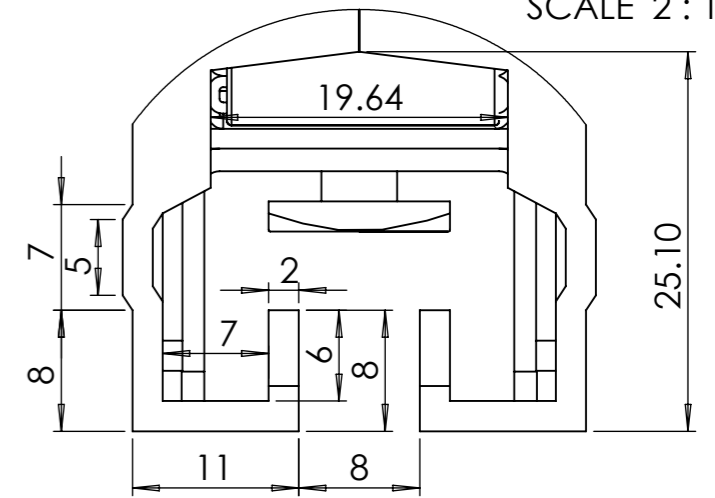
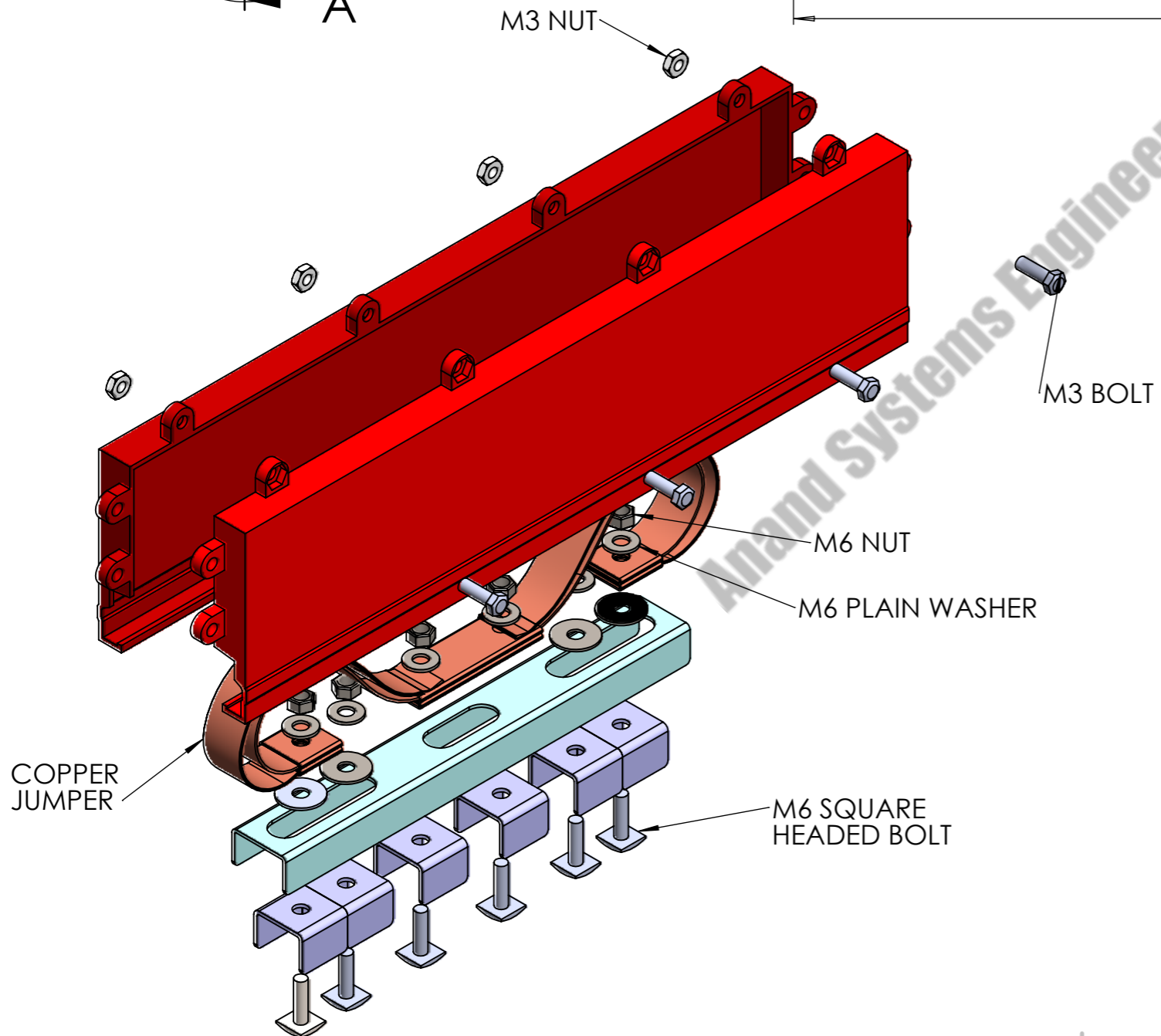
SHEET: 1 OF 1


A

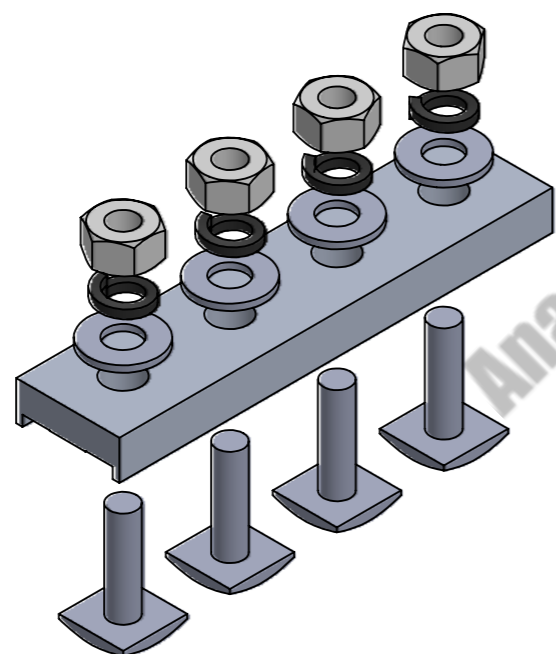
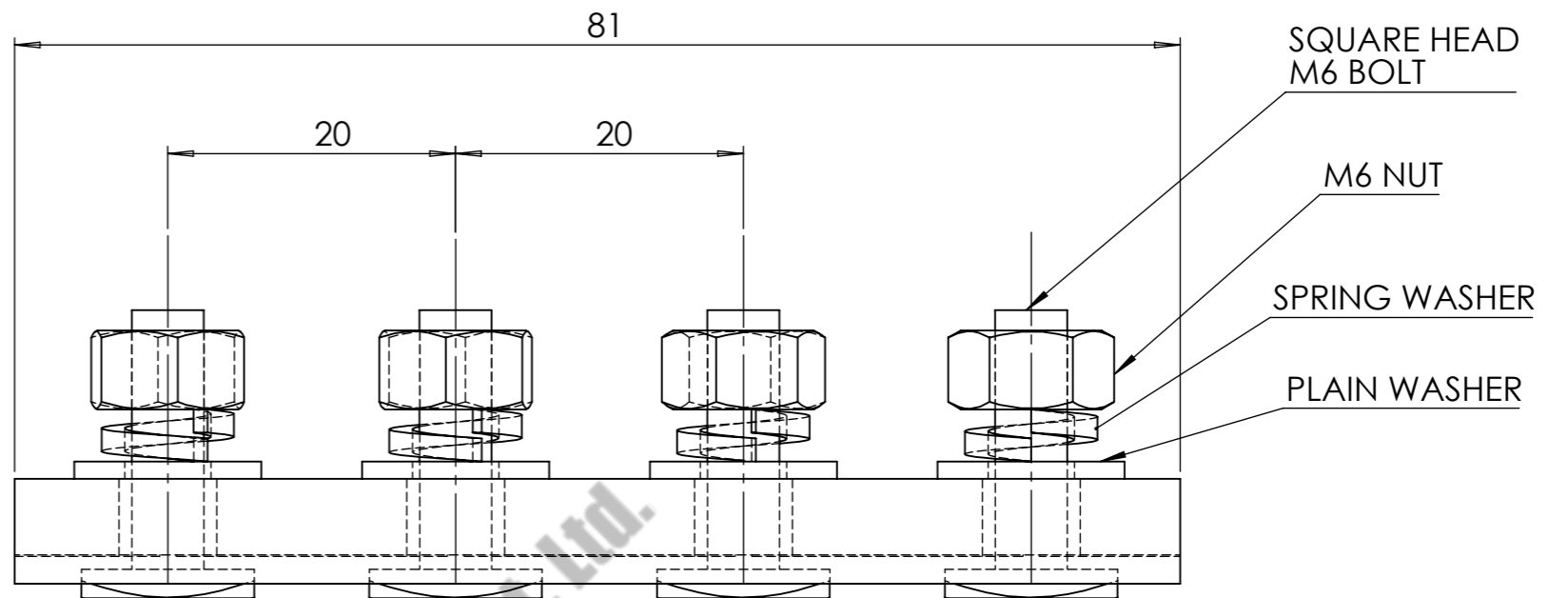
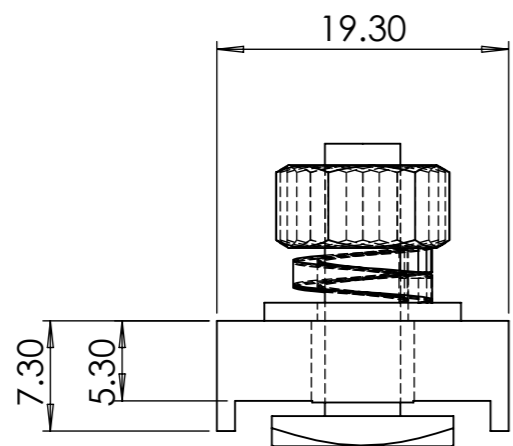



SECTION A-A
SCALE 1 : 1.3

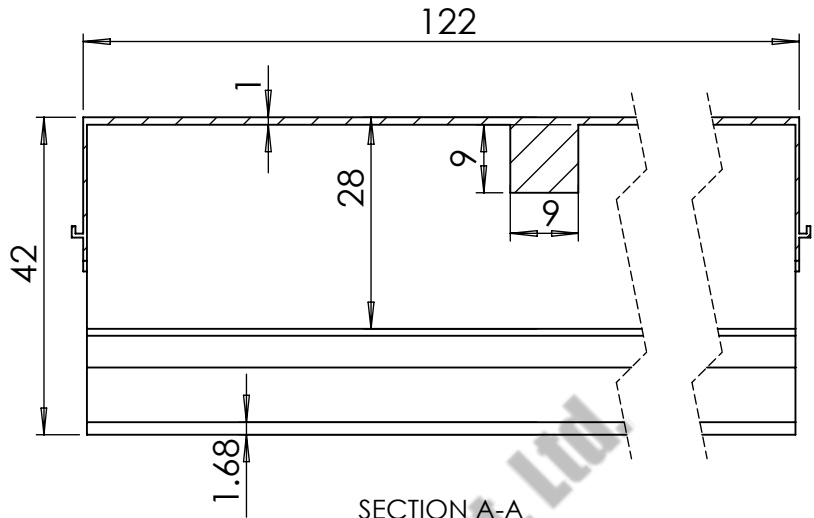
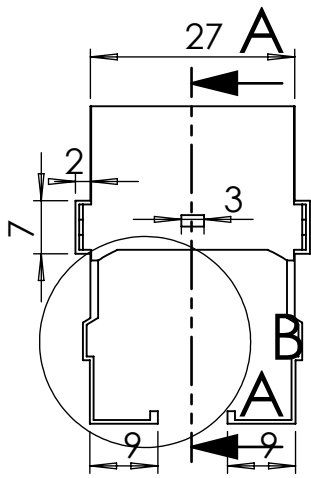
DETAIL B
SCALE 2 : 1



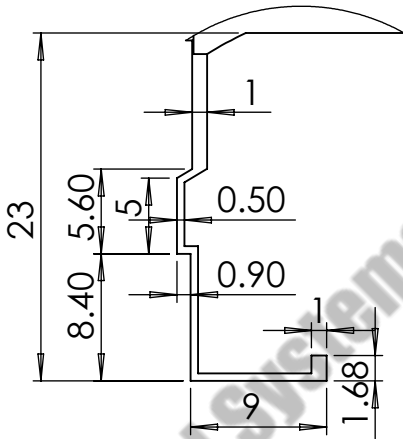
COMPANY NAME:		ANAND SYSTEM ENGINEERING PVT LTD		DO NOT SCALE DRAWING.	REVISION:
		<p>Email id: info@anandcontrol.in</p> <p>CONTACT NO: 9137620579</p>		<p>TITLE:</p> <p>EXPANSION JOINT ASSEMBLY W-TYPE 2D</p>	
FINISH:		MATERIAL:		DWG NO.	
MFG		WEIGHT:		DATE:	
SAURABH				SIGNATURE:	
				A	
				SCALE:	
				SHEET: 1 OF 1	



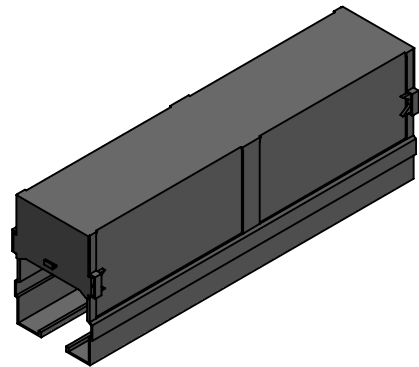
COMPANY NAME:		ANAND SYSTEM ENGINEERING PVT LTD		DO NOT SCALE DRAWING.	REVISION:
		Email id: info@anandcontrol.in CONTACT NO: 9137620579		TITLE: JOINT CLAMP ASSEMBLY W TYPE 2D ALU 1	
FINISH:		MATERIAL:		DWG NO.	
DATE:		SIGNATURE:		A	
DRAWN: SAURABH				SCALE:	SHEET: 1 OF 1
CHK'D:					
APP'D:					
MFG:					



SECTION A-A
SCALE 1 : 1



DETAIL B
SCALE 2 : 1



COMPANY NAME:



**ANAND SYSTEM
ENGINEERING PVT LTD**

DO NOT SCALE DRAWING.

REVISION:

TITLE:

**JOINT COVER
W-TYPE 2D**

Email id: info@anandcontrol.in

CONTACT NO: 9137620579

FINISH:

DWG NO.

DATE:

SIGNATURE:

DRAWN	SAURABH
CHK'D	
APP'D	
MFG	

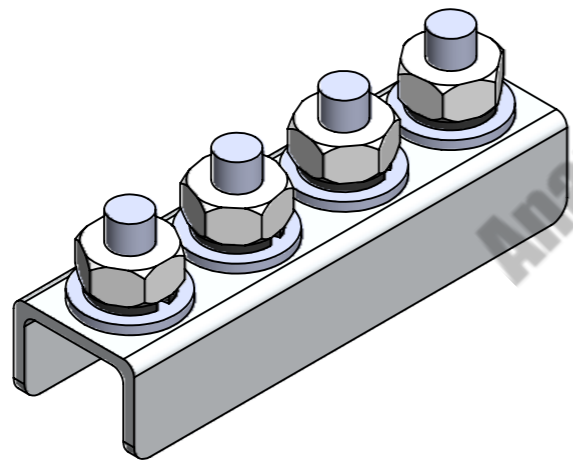
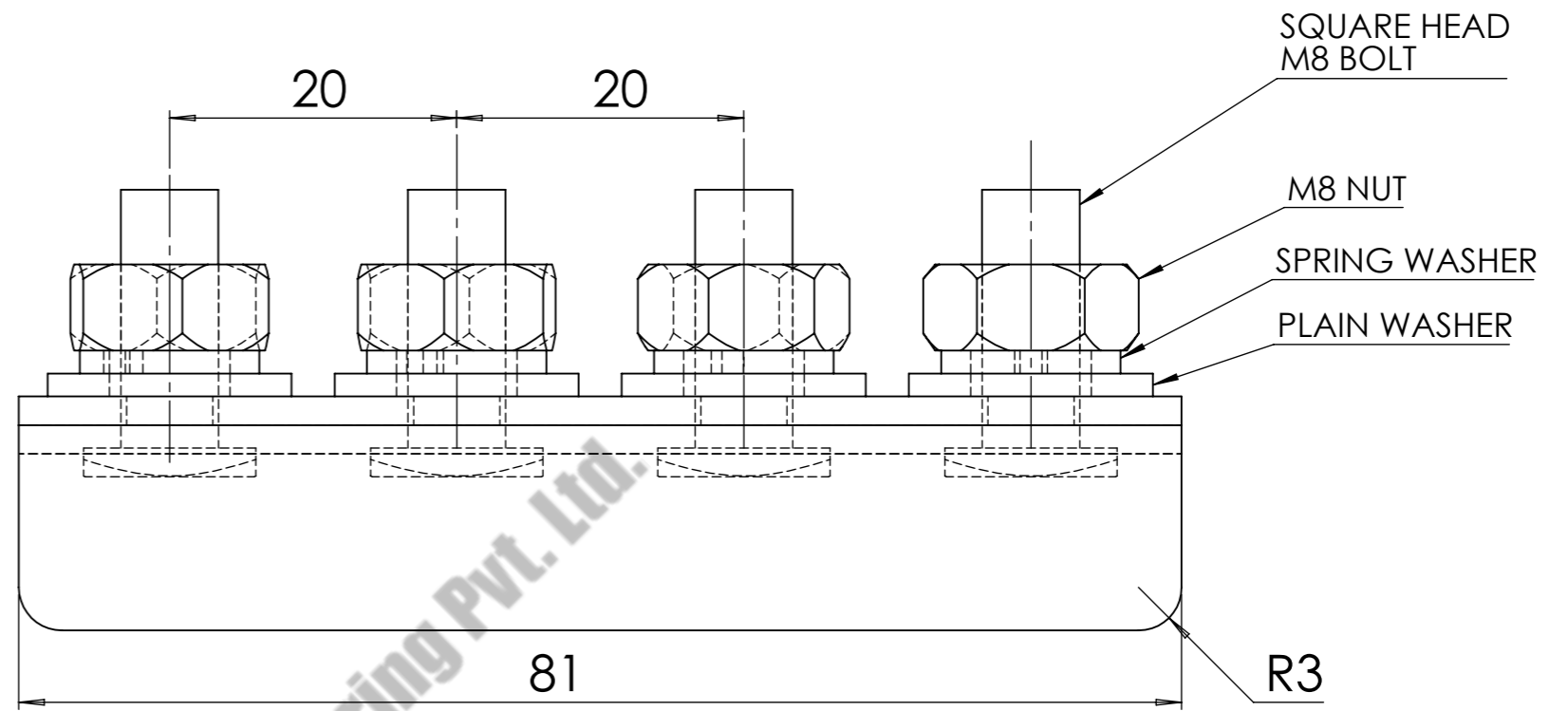
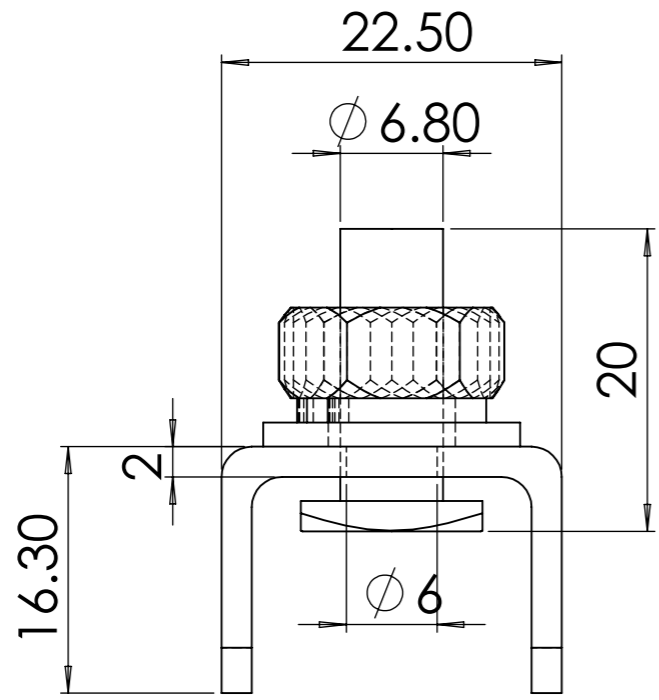
MATERIAL:


WEIGHT:

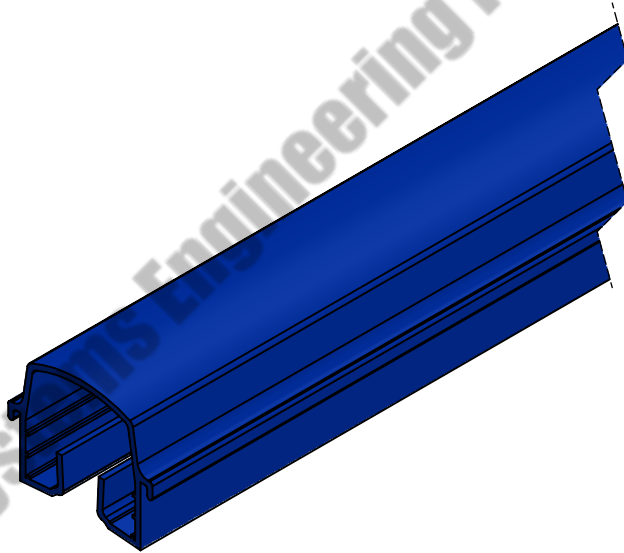
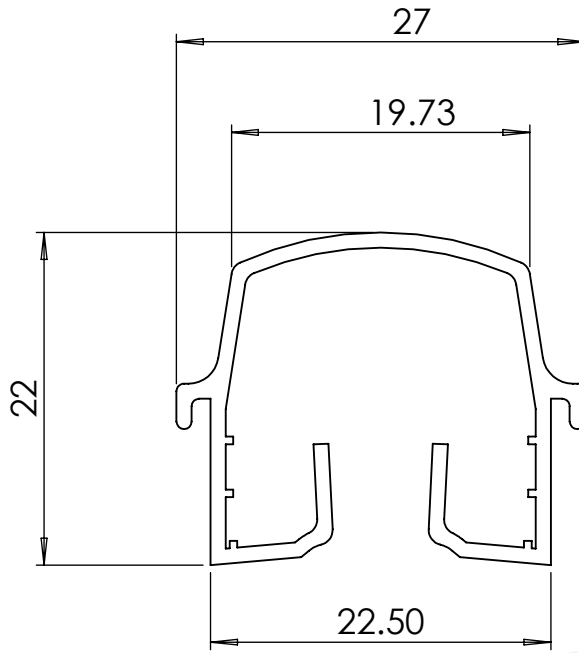
SCALE:

SHEET: 1 OF 1


A

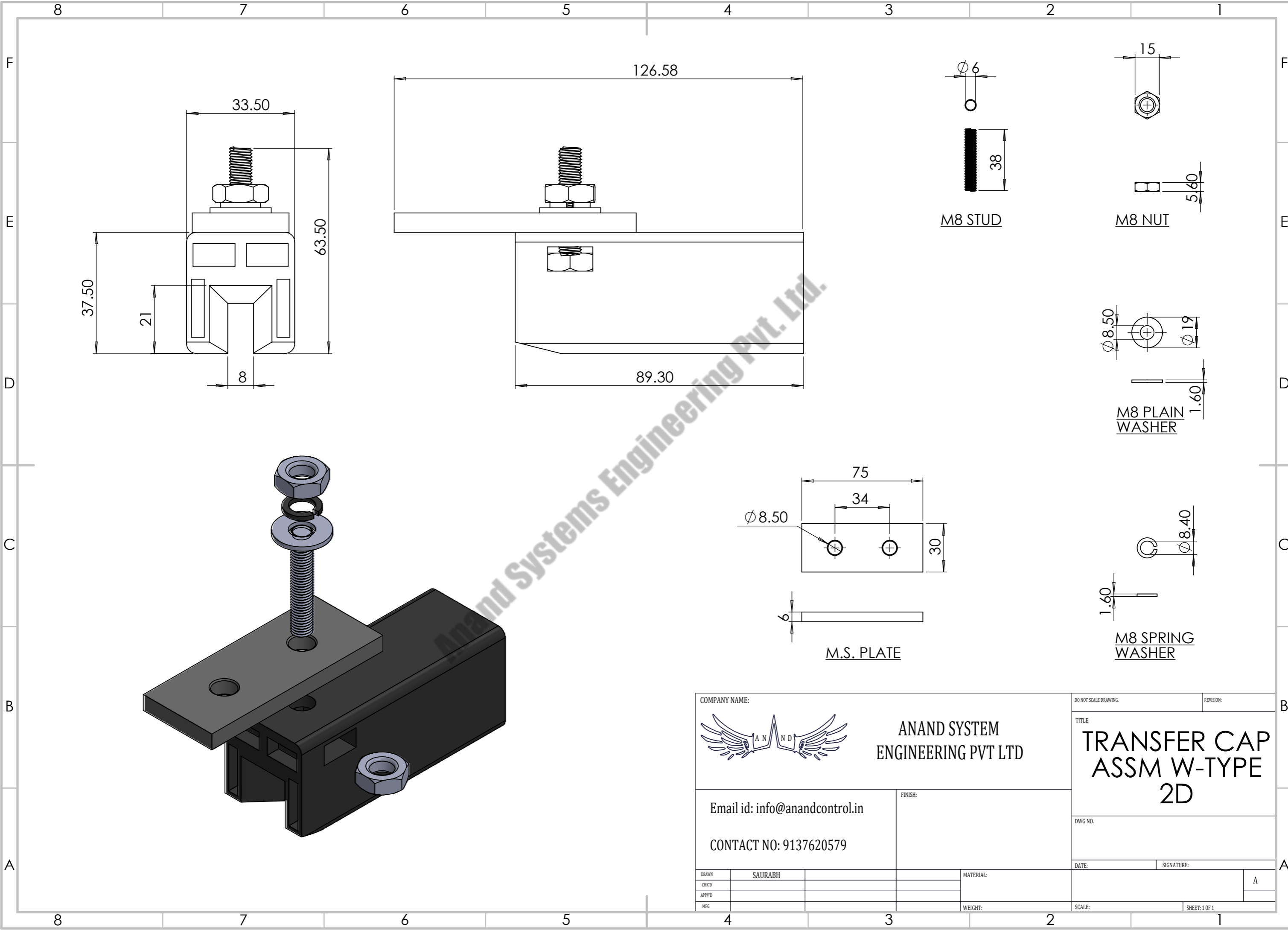


COMPANY NAME:		DO NOT SCALE DRAWING.		REVISION:	
 ANAND SYSTEM ENGINEERING PVT LTD		TITLE:			
		POWER FEED CLAMP ASSEMBLY W TYPE 2D ALU			
Email id: info@anandcontrol.in		FINISH:		DWG NO.	
CONTACT NO: 9137620579				DATE:	
DRAWN	SAURABH	MATERIAL:		SIGNATURE:	
CHK'D					
APPY'D					
MFG		WEIGHT:		SCALE:	
				SHEET: 1 OF 1	

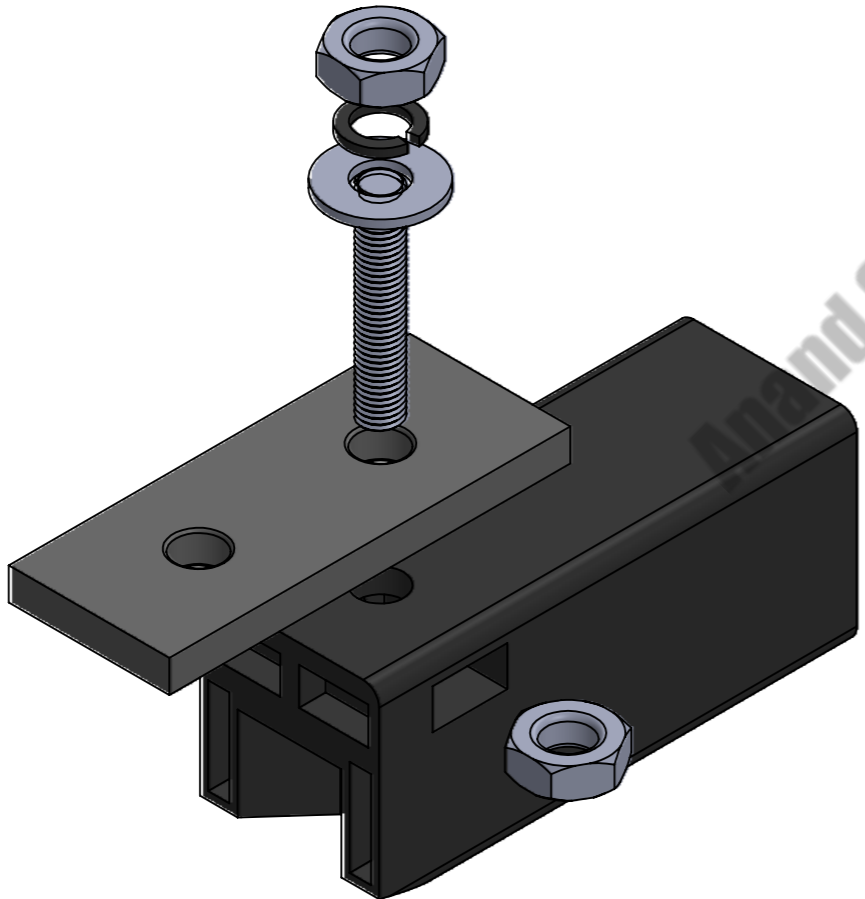



Anand System's Engineering Pvt. Ltd.

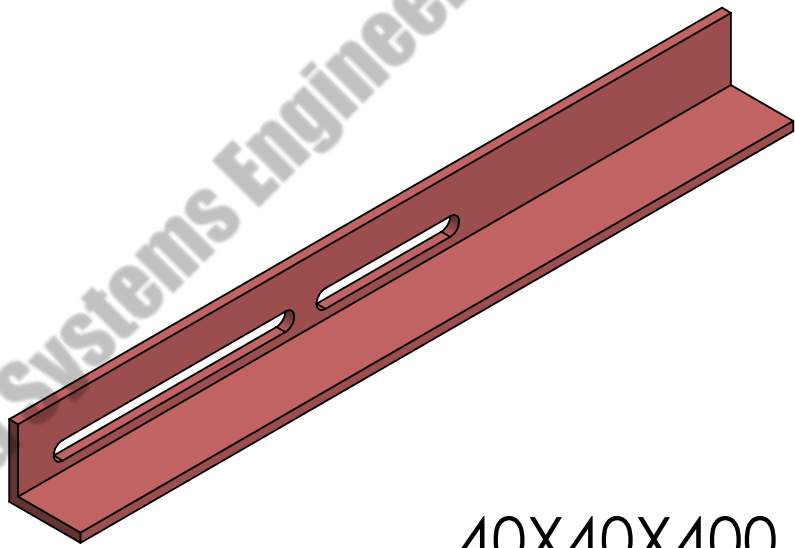
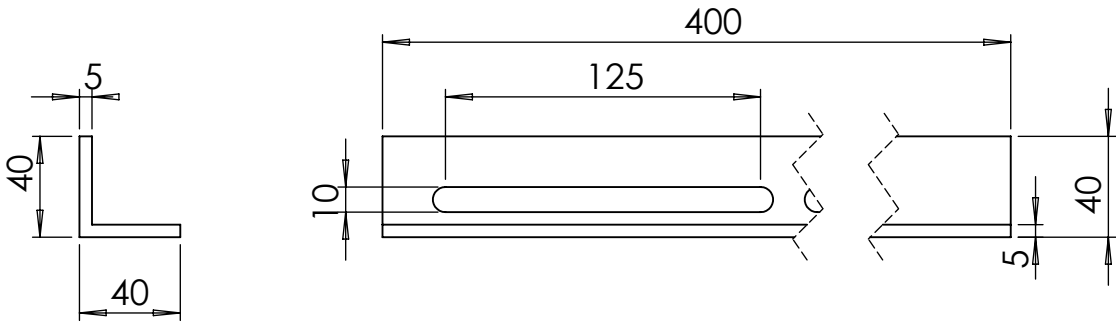
COMPANY NAME:		DO NOT SCALE DRAWING:		REVISION:	
		ANAND SYSTEM ENGINEERING PVT LTD		TITLE: SLEEVE W TYPE 2D	
Email id: info@anandcontrol.in		FINISH:		DWG NO.:	
CONTACT NO: 9137620579				DATE:	
DRAWN: SAURABH		MATERIAL:		SIGNATURE:	
CHK'D:				A	
APP'D:					
MFG:		WEIGHT:		SCALE:	
				SHEET: 1 OF 1	




Anand Systems Engineering Pvt. Ltd.



COMPANY NAME:		DO NOT SCALE DRAWING.		REVISION:	
 ANAND SYSTEM ENGINEERING PVT LTD		TRANSFER CAP ASSM W-TYPE 2D			
		Email id: info@anandcontrol.in CONTACT NO: 9137620579		FINISH:	
DRAWN: SAURABH		DATE:		SIGNATURE:	
CHK'D:		MATERIAL:		A	
APP'VD:		WEIGHT:			
MFG:		SCALE:		SHEET: 1 OF 1	



40X40X400, THK-5
MM

COMPANY NAME:		DO NOT SCALE DRAWING:		REVISION:	
 <p>ANAND SYSTEM ENGINEERING PVT LTD</p>		TITLE:			
Email id: info@anandcontrol.in		Web-Bracket 400 W TYPE 2D			
CONTACT NO: 9137620579		DWG NO.			
FINISH:		DATE:		SIGNATURE:	
DRAWN	SAURABH	MATERIAL:		A	
CHK'D		WEIGHT:		SCALE:	
APP'D		SHEET: 1 OF 1			
MFG					