

4

3

2

1

F

F

E

E

D

D

C

C

B

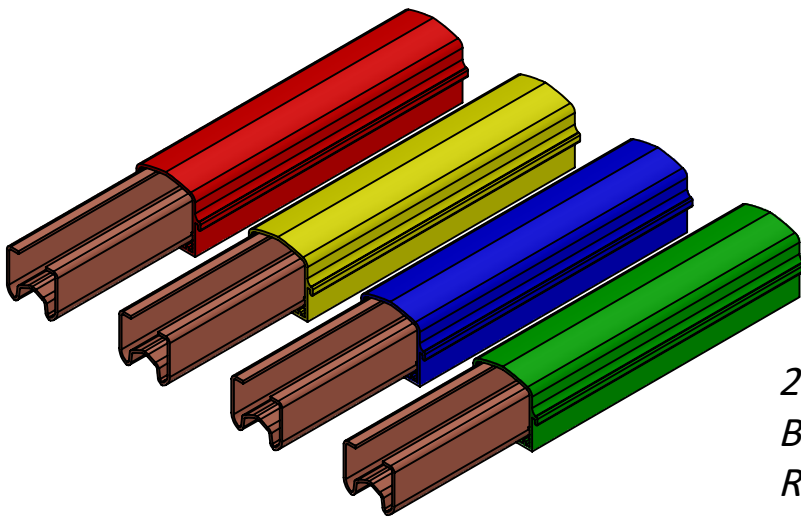
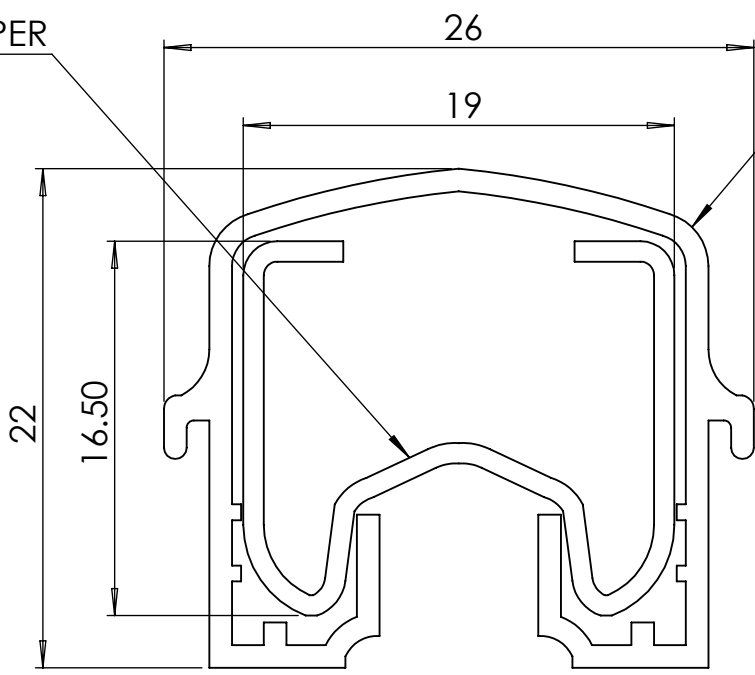
B

A

A

COPPER

PVC SLEEVE



*250AMP- COPPER- 04 BAR
BOLTED(W) TYPE
RED YELLOW BLUE GREEN
COLOUR PVC*

COMPANY NAME:



**ANAND SYSTEM
ENGINEERING PVT LTD**

DO NOT SCALE DRAWING.

REVISION:

TITLE:

**Safelink W
250Amp CU
RYBG 2D**

Email id: info@anandcontrol.in

CONTACT NO: 9137620579

FINISH:

DWG NO.

DATE:

SIGNATURE:

DRAWN	SAURABH
CHK'D	
APP'D	
MFG	

MATERIAL:

WEIGHT:

SCALE:

SHEET: 1 OF 1

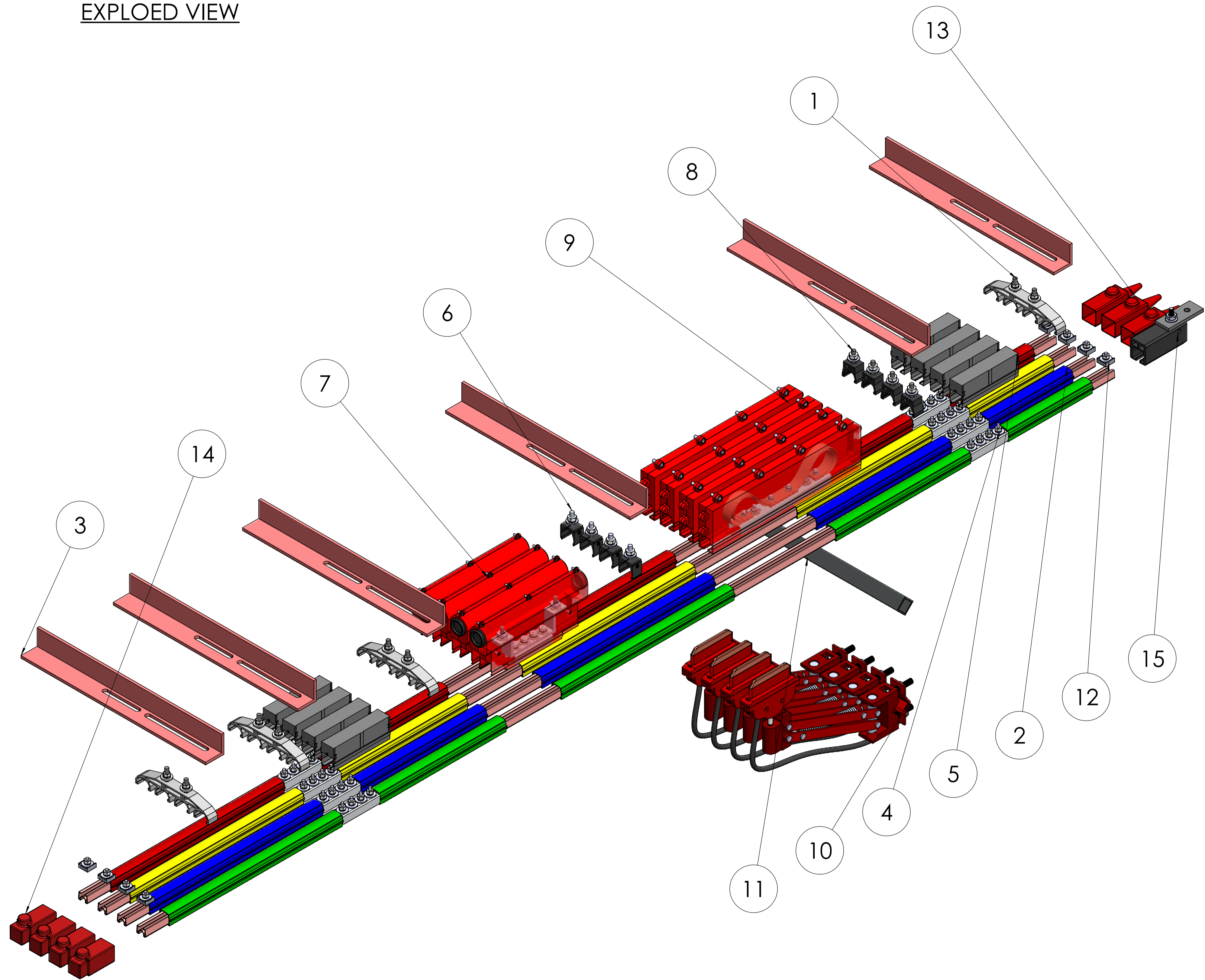
4

3

2

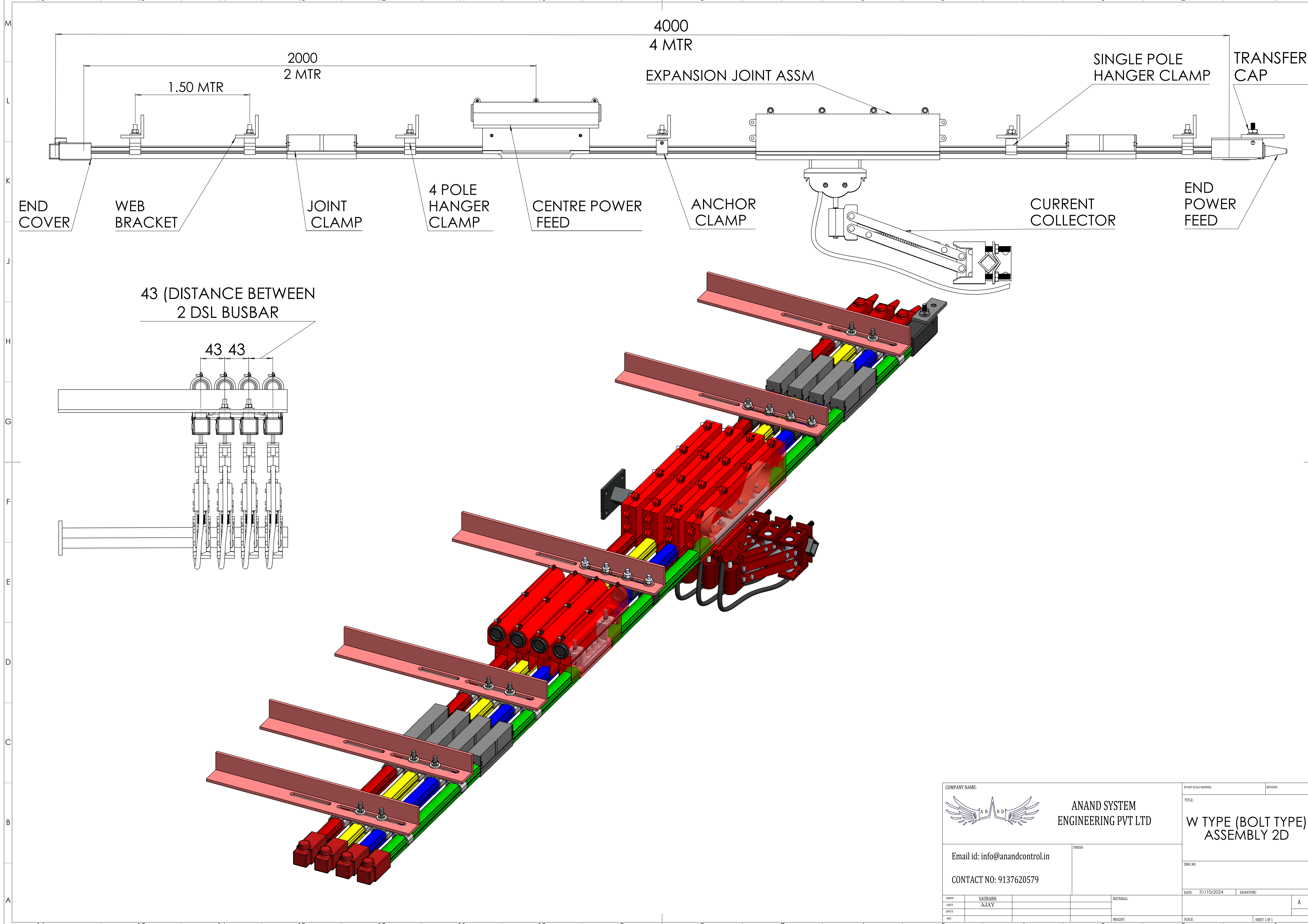
1

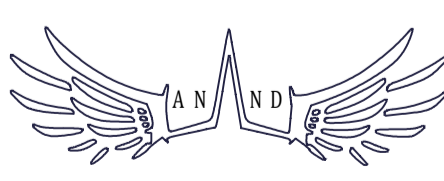
EXPLODED VIEW



ITEM NO.	PART NAME	DESCRIPTION	MATERIAL	QTY.
1	4 POLE HANGER CLAMP W TYPE.ASSEMBLY	158X29X20	DELFIN	4
	4 POLE HANGER CLAMP CC	158X29X20	DELFIN	1
	HEX BOLT	M8, 8X20, END COVER FIXING	M.S.	2
	PLAIN WASHER	19X8.5X1.5	M.S.	2
	HEX NUT	M6	M.S.	2
	SPRING WASHER	M8	SPRING STEEL 4454 GRADE-02	2
2	BUSBAR ASSEMBLY W TYPE	40X40X400, THK-5 MM		4
	AL-W-type	4500X19X16.5	ALUMINIUM	1
	SLEEVE W TYPE	4415X26X22	PVC	1
3	Web-Bracket W TYPE	35X35, THK-5 MM	M.S.	6
	JOINT CLAMP ASSEMBLY W TYPE	70X28X40	G.I	8
4	HEX NUT	M6	M.S.	4
	PLAIN WASHER	M8	M.S.	4
	POWERFEED CLAMP W-TYPE	16.3X22X81	ALUMINIUM	1
	SPRING WASHER M6 W TYPE	M6	SPRING STEEL 4454 GRADE-02	4
	SQUARE HEAD BOLT W- TYPE	18XM6	M.S.	4
5	JOINT COVER W-TYPE	42X26X102	DELFIN	8
	ANCHOR CLAMP ASSEMBLY W TYPW	28X30X20	DELFIN	4
6	ANCHOR CLAMP W TYPE		DELFIN	2
	HEX BOLT	M8X25	M.S	1
	HEX NUT	M8	M.S.	1
	PLAIN WASHER	M8	M.S.	1
	SPRING WASHER	M8	SPRING STEEL 4454 GRADE-02	1
	HEX BOLT	M5X35	M.S.	1
7	LOCK NUT	M5	M.S.	1
	CENTER POWERFEED ASSEMBLY W-TYPE	219X105.6X37		4
	CENTER POWERFEED W-TYPE-1		DELFIN	2
8	NUT	M8	M.S.	2
	PAN HEADED SCREW	SELF THREAD SCREW	M.S.	3
	PAN HEADED SCREW	SELF THREAD SCREW	M.S.	2
	PLAIN WASHER W TYPE	18.5X9X1.5	M.S.	6
	POWER FEED ALU BRACKET	144X37X5.5	ALUMINIUM	1
	GRUMET	Ø 30	RUBBER	2
	POWERFEED CLAMP W-TYPE	16.3X22X81	ALUMINIUM	1
	SPRING WASHER	M8	SPRING STEEL 4454 GRADE-02	6
	SQUARE HEAD BOLT W- TYPE	18XM6	M.S.	4
	HEX BOLT	M8, 8X20	M.S.	2
9	HEX NUT	M6	M.S.	4
	SINGLE POLE HANGER CLAMP W-TYPE ASSM	28X37X19.3		4
	SINGLE POLE HANGER CLAMP W-TYPE			1
	HEX BOLT	M8, 8X20	M.S.	1
10	HEX NUT	M8	M.S.	1
	PLAIN WASHER	M8	M.S.	1
	SPRING WASHER	M8	SPRING STEEL 4454 GRADE-02	1
	EXPANSION JOINT ASSEMBLY W-TYPE	321X80X30		4
	CLAMP EXPANSION W-TYPE			1
	END CLAM EXPANION	16.5X23.5X22	G.I	6
	DSL_NEW-1	DSL BUSBAR WITH SLEEVE		1
	WASHER-1	18X8X1.5	M.S.	1
	COPPER SLEEVE	20X20	COPPER	4
	COPPER SLEEVE 2	20X59	COPPER	2
	PLAIN WASHER	M6		1
11	NUT	M6		1
	COPPER-FLAT-COIL 2 W-TYPE		COPPER	2
	COPPER-FLAT-COIL-1 W-TYPE		COPPER	2
	EXPANSION JOINT COVER W-TYPW		DELFIN	2
	SQUARE HEAD BOLT W- TYPE	18XM6	M.S.	6
	HEX BOLT	M4X10	M.S.	4
	HEX NUT	M4	M.S.	4
	CURRENT COLLECTOR 100 AMP ASSM	230X332		4
	ARM 1	220X15.5X3	M.S.	4
	LOWER BRACKET	56X73X30	CASTING	1
	LOWER PIN	16X70	M.S.	1
	VERTICAL LEVER CC	50X61X24	CASTING	1
	SPACER PIN	26X Ø 6	M.S.	6
12	UPPER BRACKET	108.5X43X10	PLASTIC	2
	VERTICAL STUD	104X Ø 7	M.S.	1
	SHOE HOLDER	108.5X20X40	PLASTIC	1
	CONTACT PATTI	87X47X3	COPPER	1
	SPRING	Ø 13.5X22	SPRING STEEL 4454 GRADE-02	1
	LOWER BRACKET CC 2	70X30X3	M.S.	1
	HEX BOLT	8X40	M.S.	2
	NUT	M8	M.S.	2
	PLAIN WASHER W TYPE	18.5X9X1.5	M.S.	2
	HEX NUT	M4	M.S.	2
	TENSION SPRING	Ø 15X115	SPRING STEEL 4454 GRADE-02	1
	wire	105 SQ MM, 1mtr		1
	C.C-Bracket 100 AMP	80X60XTHK-6, SQ-25X25X400	M.S.	1
	13	END CLAMP ASSEMBLY W TYPE		
END CLAMP W TYPE				8
SQUARE HEAD BOLT W- TYPE		18XM6	M.S.	8
HEX NUT		M6	M.S.	8
SPRING WASHER M6 W TYPE		M6	SPRING STEEL 4454 GRADE-02	8
14	PLAIN WASHER	M8	M.S.	8
	END POWER FEED COVER W-TYPE	112X30X35	PVC	3
	END COVER W TYPE	73X39X30	PVC	4
15	TRANSFER CAP ASSM W-TYPE			1
	HEX BOLT	M8X50	M.S.	1
	NUT	M8	M.S.	2
	PLAIN WASHER	M8	M.S.	1
	SPRING WASHER	M8	SPRING STEEL 4454 GRADE-02	1
	TRANSFER CAP BODY W-TYPE	37.5X33.5X89.3		1
TRANSFER CAP M.S. PLATE W-TYPE 2D.PDF	75 X36X6	M.S.	1	

COMPANY NAME:		ANAND SYSTEM ENGINEERING PVT LTD	
Email id: info@anandcontrol.in		CONTACT NO: 9137620579	
DRWN: SAURABH	CHKD: AJAY	DATE: _____	SIGNATURE: _____
APPD: _____	MFC: _____	SCALE: _____	SHEET: 1 OF 1



COMPANY NAME:		ANAND SYSTEM ENGINEERING PVT LTD		DO NOT SCALE DRAWING	REVISION:
		Email id: info@anandcontrol.in CONTACT NO: 9137620579		TITLE: W TYPE (BOLT TYPE) ASSEMBLY 2D	
DATE: 31/10/2024	SIGNATURE:	DWG NO.:		SHEET: 1 OF 1	
DRWN: SAURABH	CHKD: AJAY	MATERIAL:		A	
APPR:		WEIGHT:			
MFC:					

4

3

2

1

F

F

E

E

D

D

C

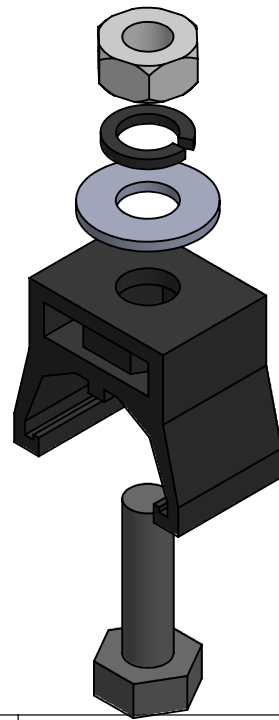
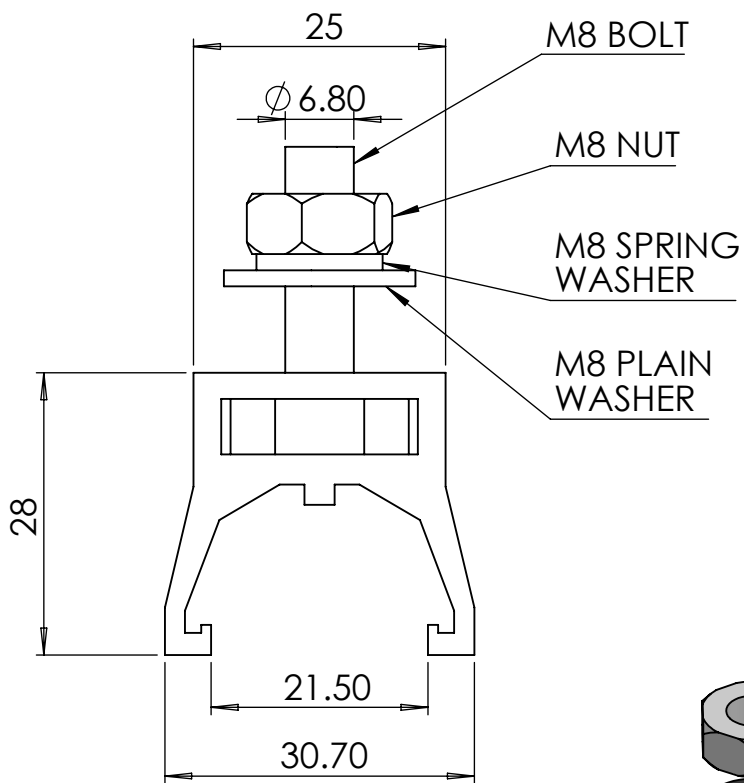
C

B

B

A

A



COMPANY NAME:



**ANAND SYSTEM
ENGINEERING PVT LTD**

DO NOT SCALE DRAWING.

REVISION:

TITLE:

**SINGLE POLE
HANGER CLAMP
W-TYPE ASSM 2D**

Email id: info@anandcontrol.in

CONTACT NO: 9137620579

FINISH:

DWG NO.

DATE:

SIGNATURE:

DRAWN	SAURABH
CHK'D	
APP'D	
MFG	

MATERIAL:

WEIGHT:

SCALE:

SHEET: 1 OF 1

4

3

2

1

4

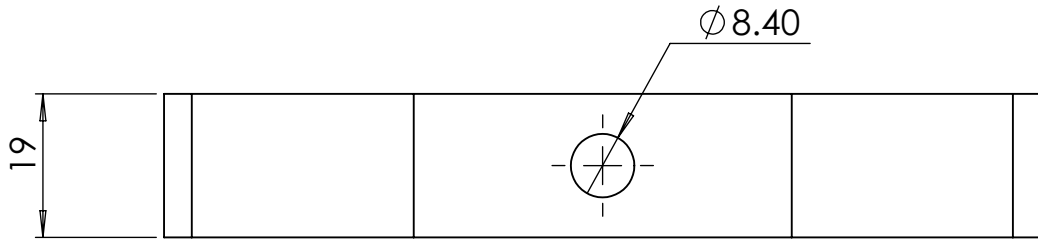
3

2

1

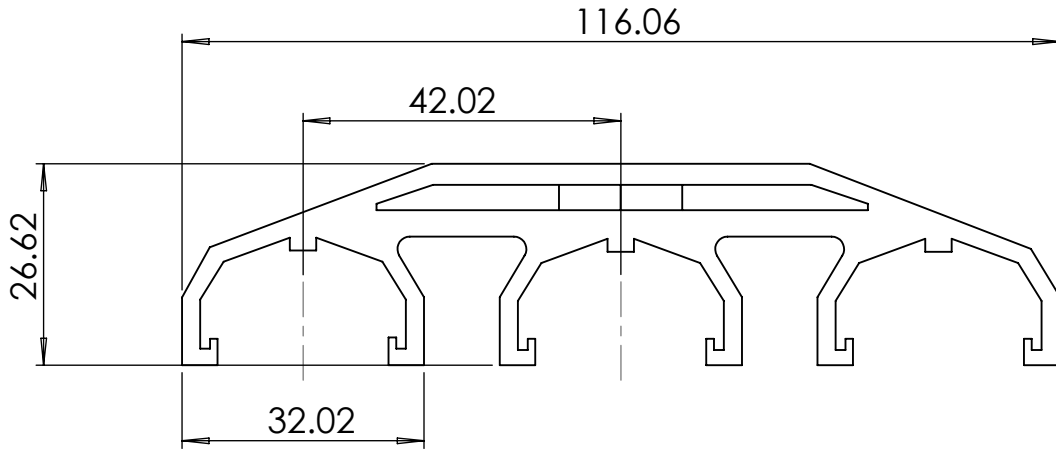
F

F



E

E

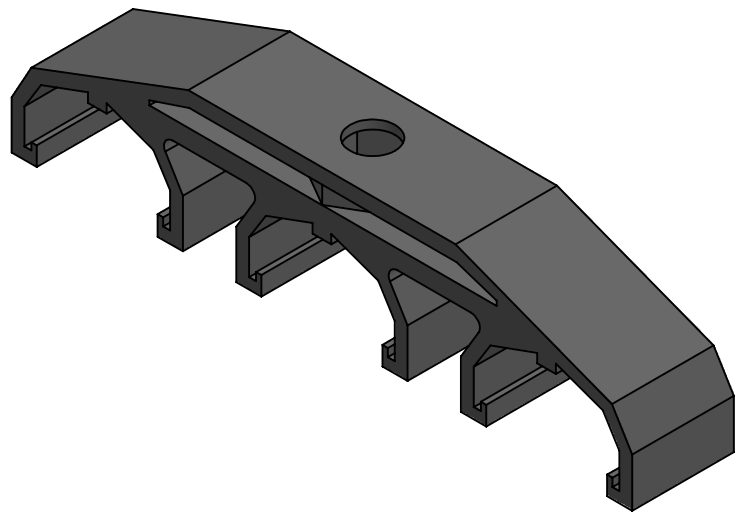


D

D

C

C



B

B

COMPANY NAME:



ANAND SYSTEM
ENGINEERING PVT LTD

DO NOT SCALE DRAWING.

REVISION:

TITLE:

3 POLE HANGER
CLAMP W TYPE
2D

Email id: info@anandcontrol.in

FINISH:

CONTACT NO: 9137620579

DWG NO.

A

A

DRAWN	SAURABH
CHK'D	
APP'D	
MFG	

MATERIAL:

DATE:

SIGNATURE:

A

WEIGHT:

SCALE:

SHEET: 1 OF 1

4

3

2

1

4

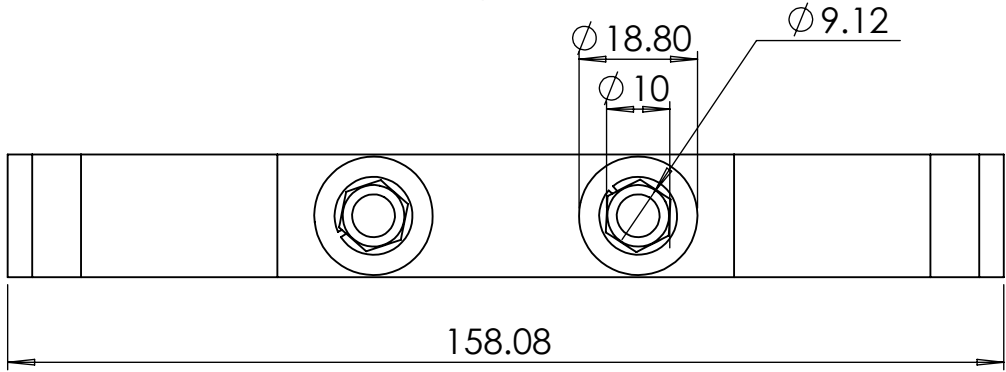
3

2

1

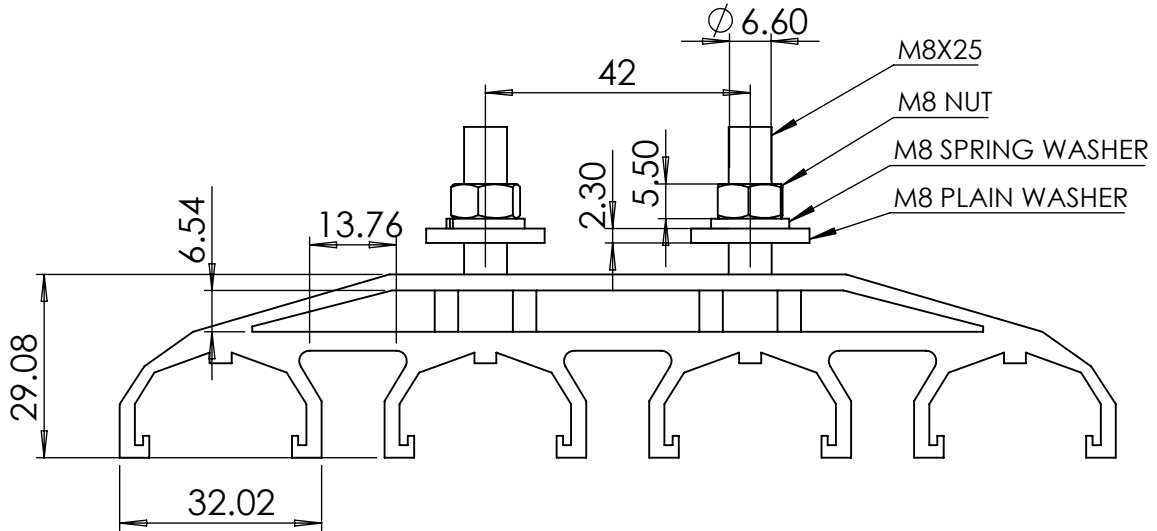
F

F



E

E

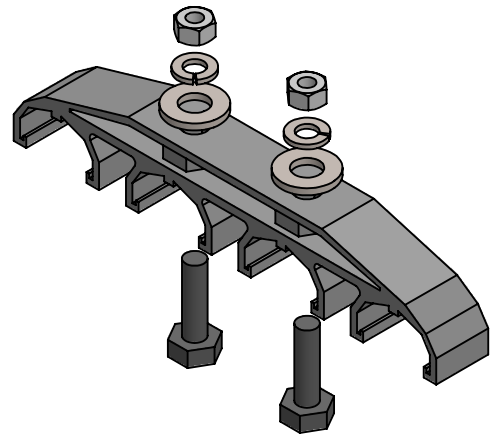


D

D

C

C



B

B

COMPANY NAME:



**ANAND SYSTEM
ENGINEERING PVT LTD**

DO NOT SCALE DRAWING.

REVISION:

TITLE:

**4 POLE HANGER
CLAMP W
TYPE.ASSEMBLY 2D**

Email id: info@anandcontrol.in

CONTACT NO: 9137620579

FINISH:

DWG NO.

DATE:

SIGNATURE:

A

A

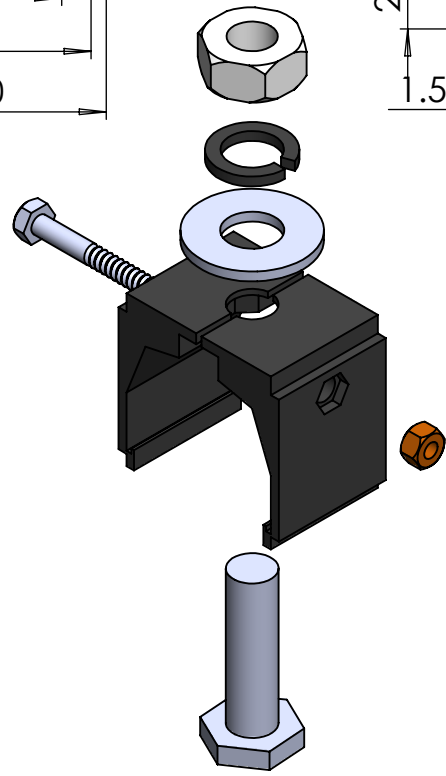
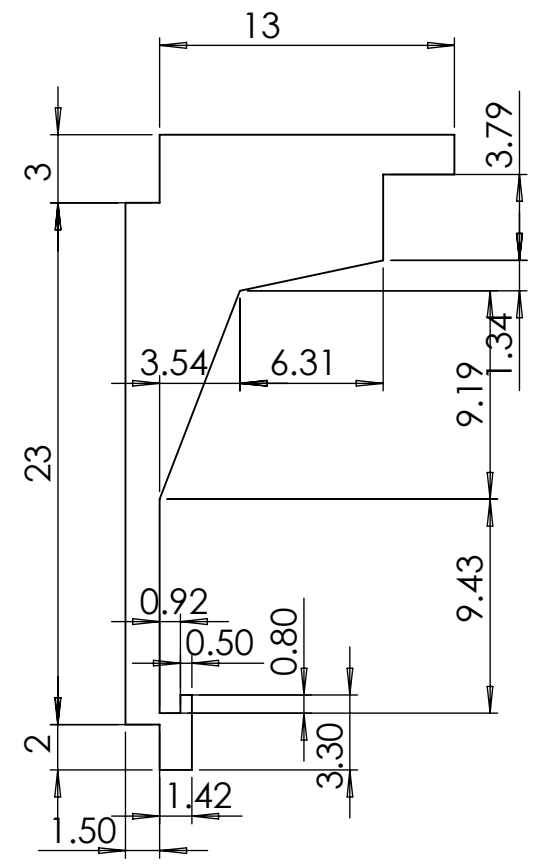
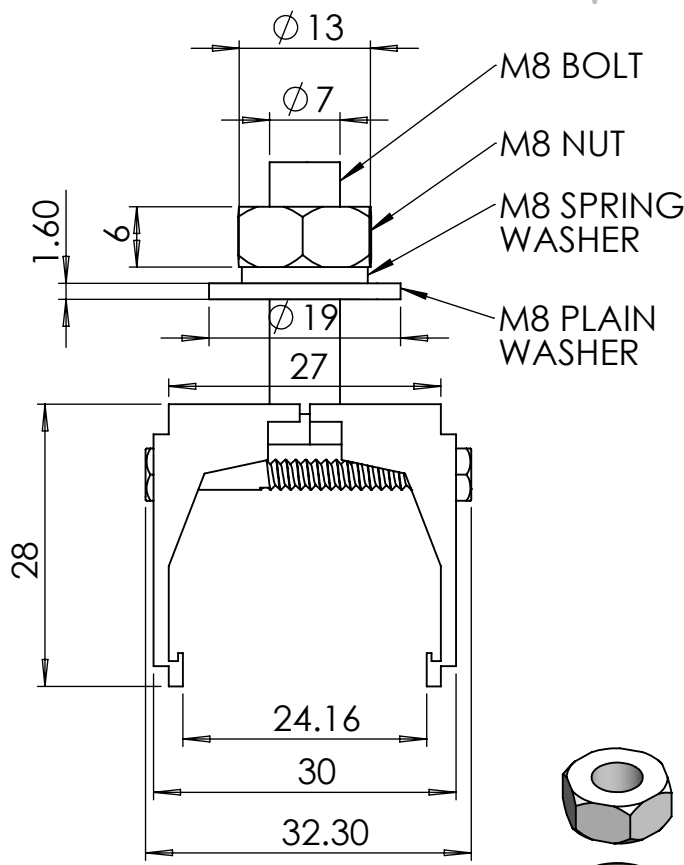
DRAWN	SAURABH			MATERIAL:			
CHK'D							A
APP'D							
MFG				WEIGHT:		SCALE:	SHEET: 1 OF 1


4

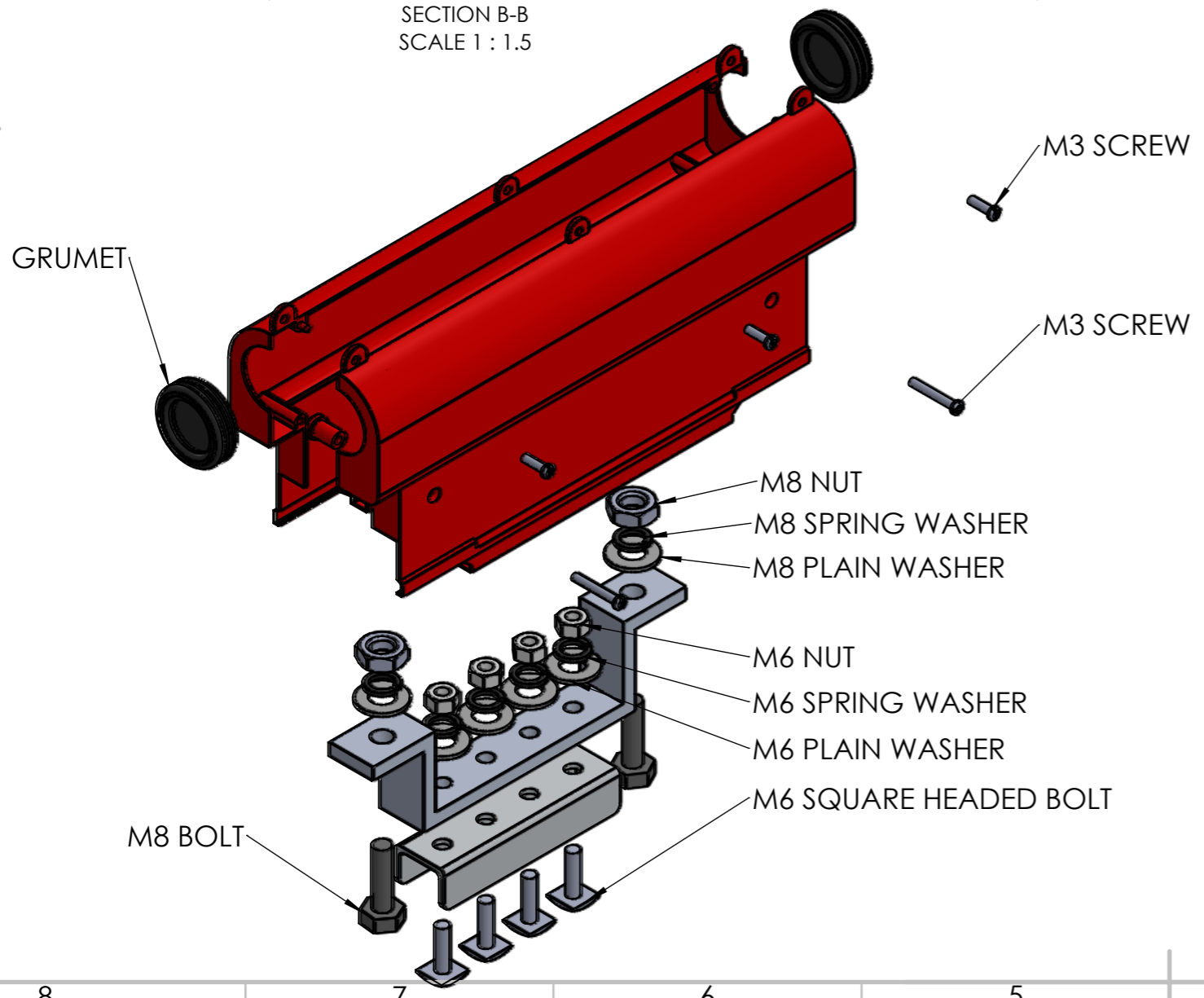
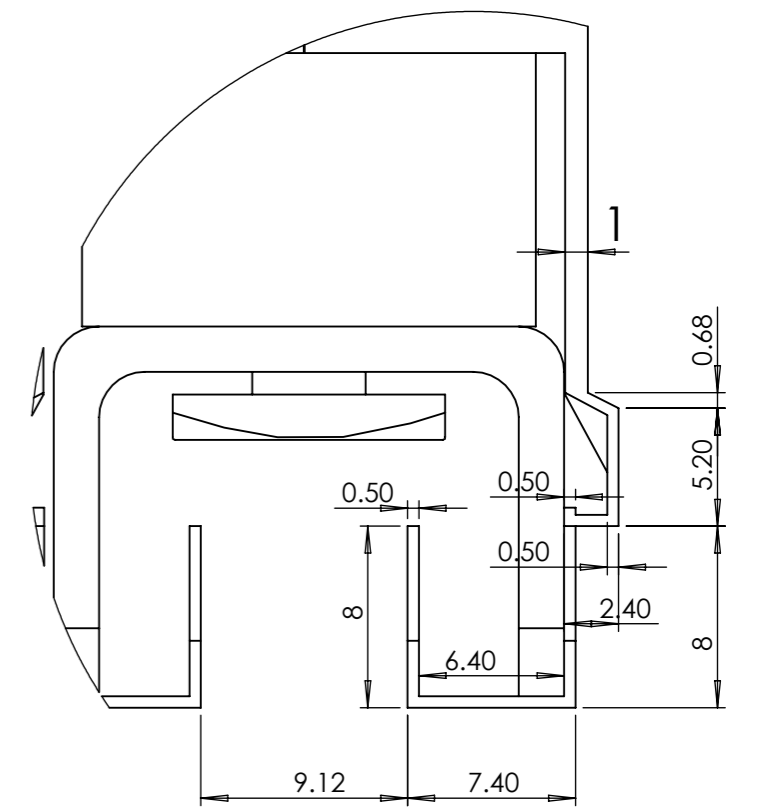
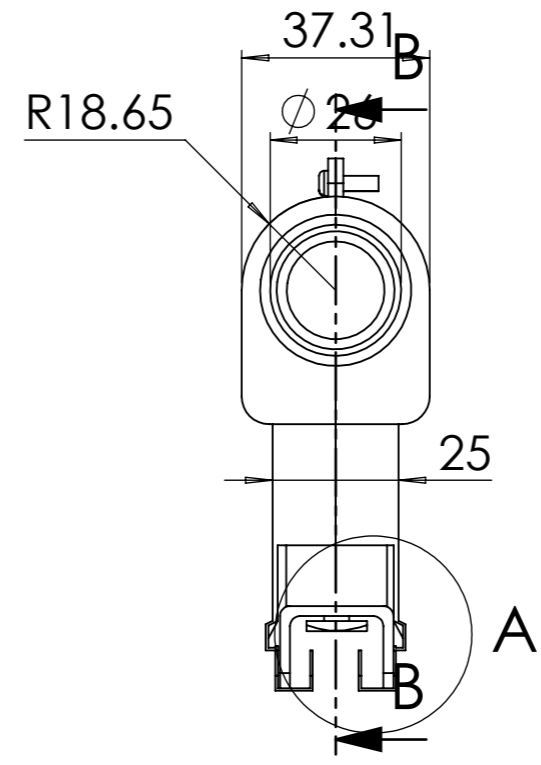
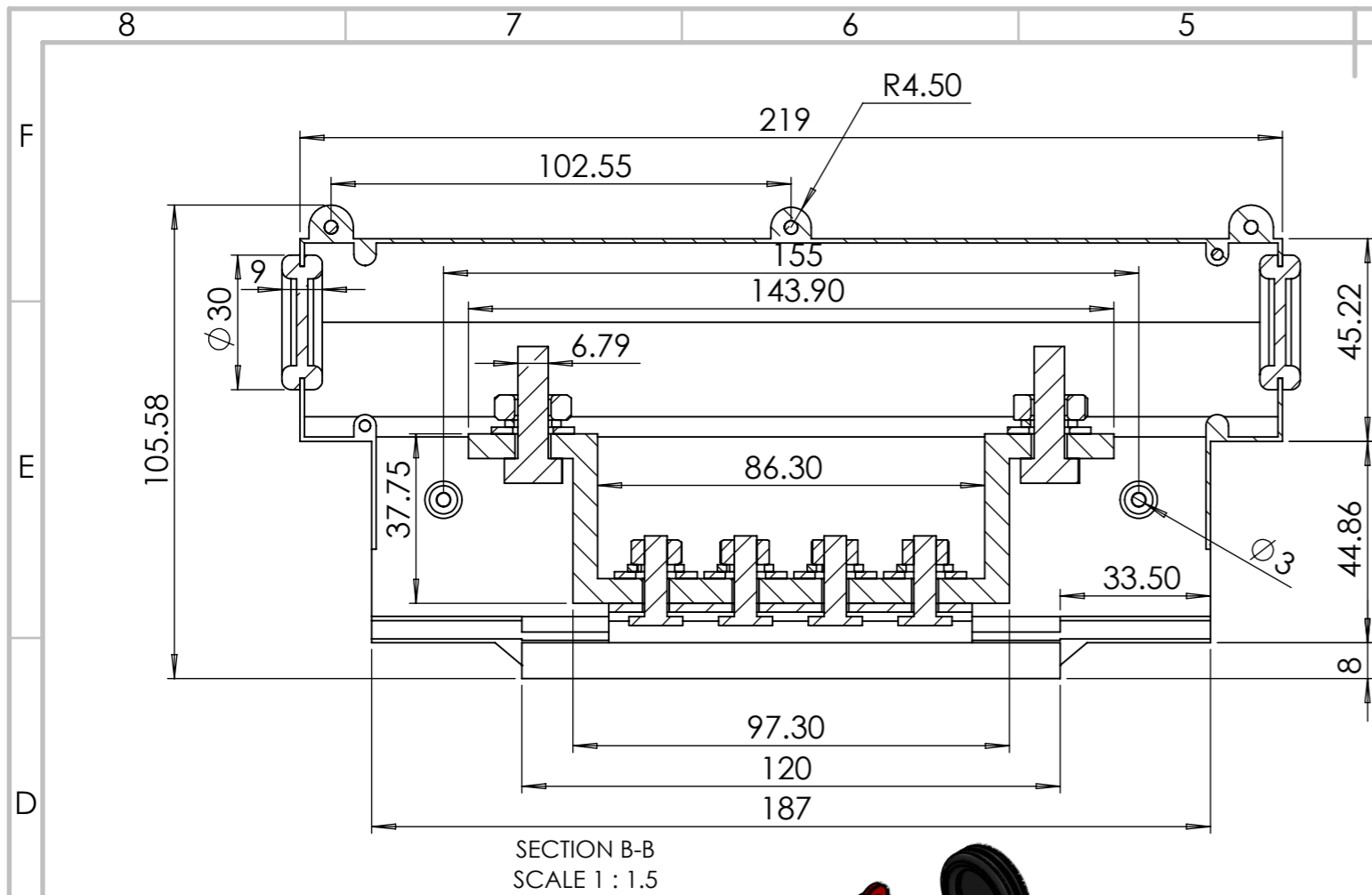
3


2

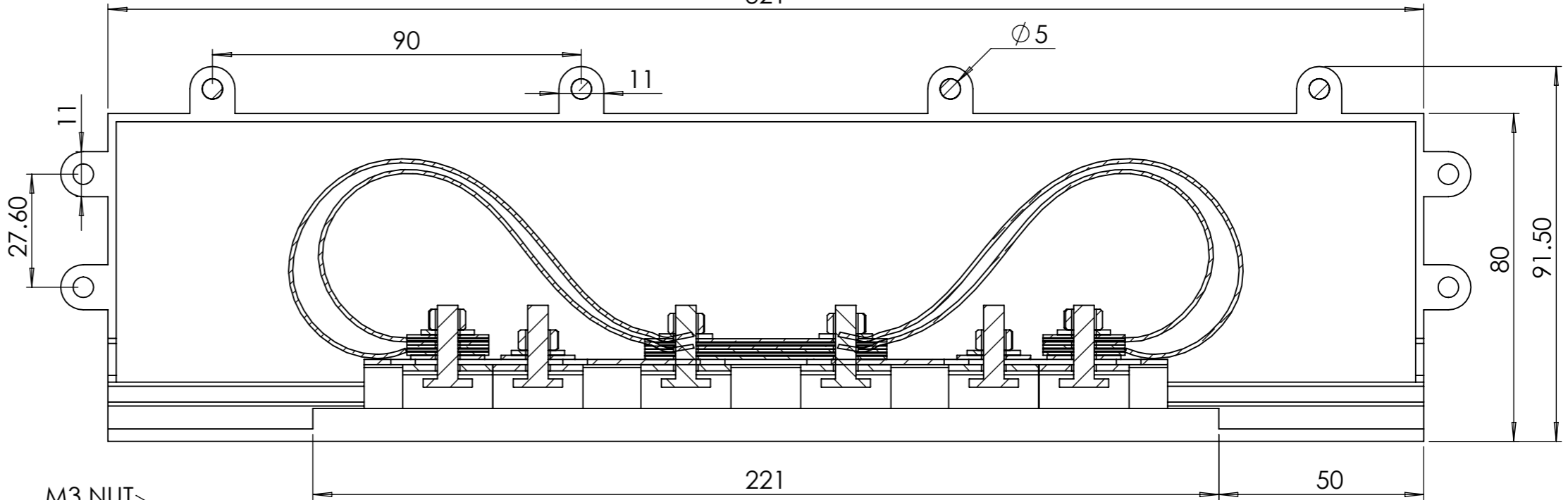
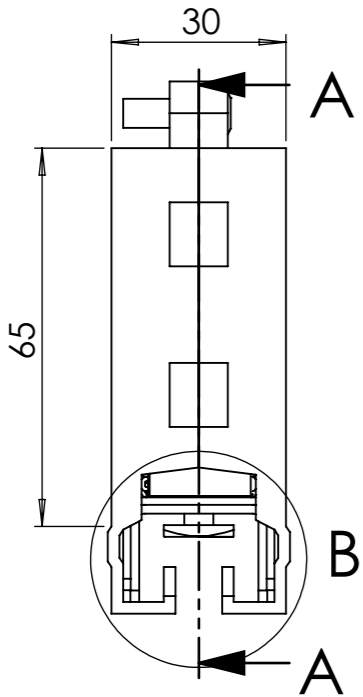
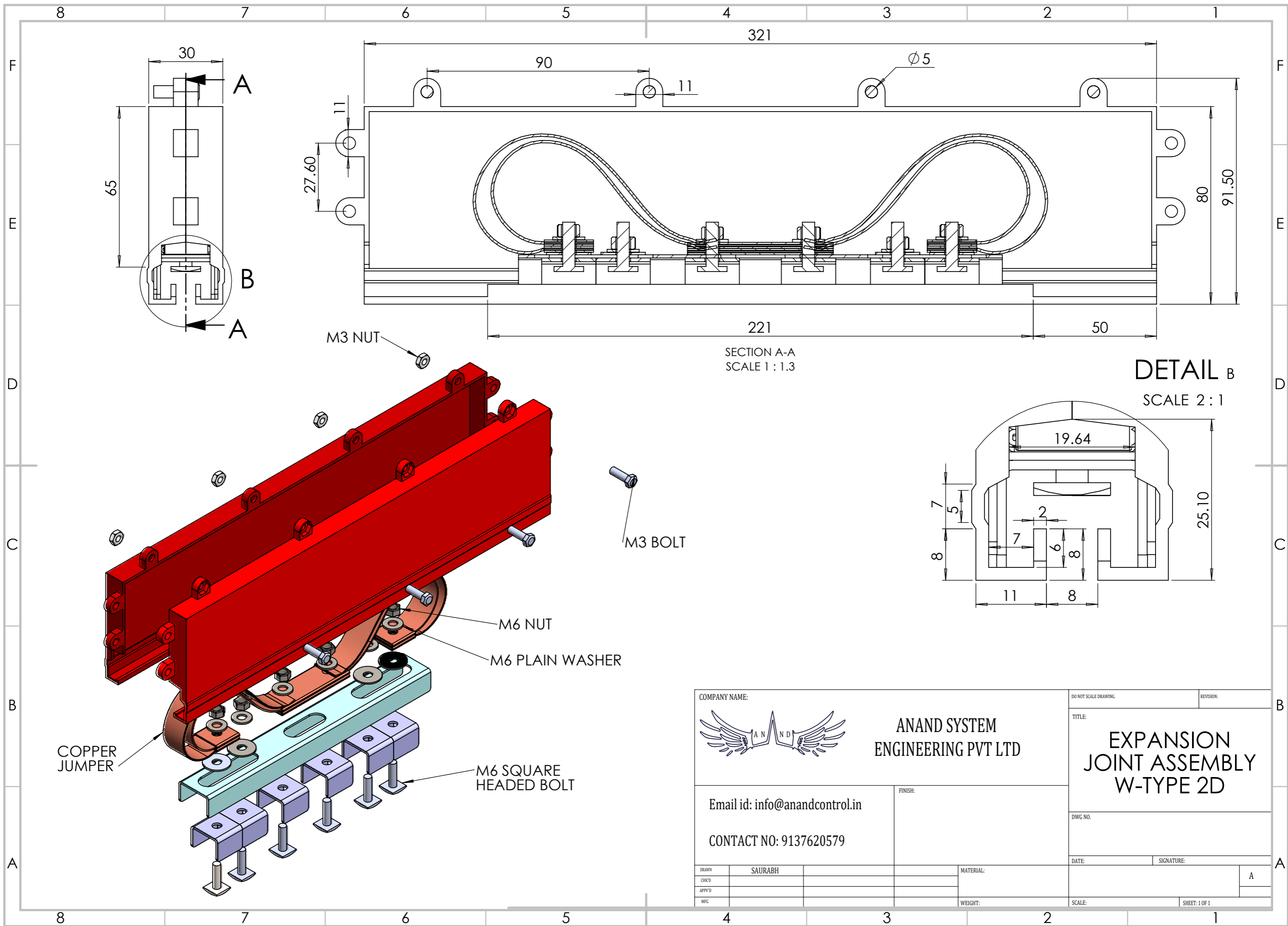
1



COMPANY NAME:  ANAND SYSTEM ENGINEERING PVT LTD		DO NOT SCALE DRAWING.		REVISION:	
Email id: info@anandcontrol.in CONTACT NO: 9137620579		FINISH:		TITLE: ANCHOR CLAMP ASSEMBLY W TYPE 2D	
DRAWN: SAURABH		MATERIAL:		DWG NO: 28X30X20	
CHK'D:		WEIGHT:		DATE:	
APP'D:		SCALE:		SIGNATURE:	
MFG:		SHEET: 1 OF 1		A	

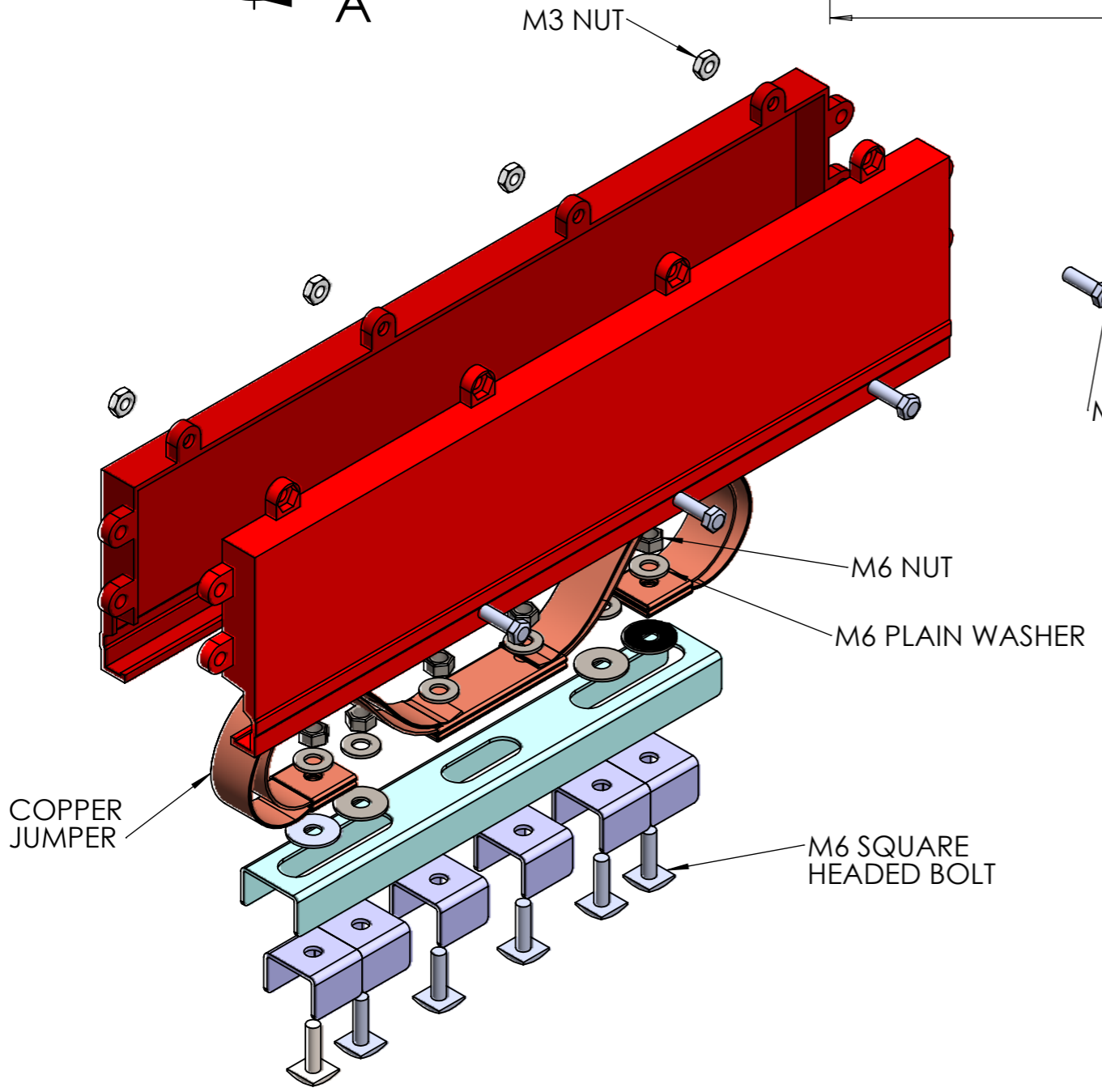
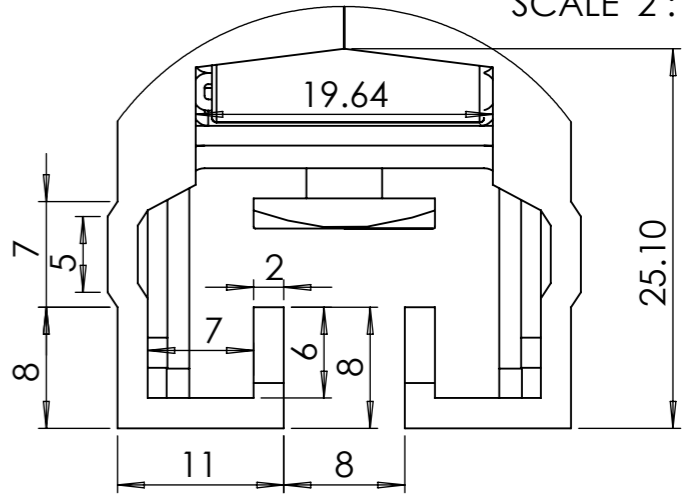



COMPANY NAME:		ANAND SYSTEM ENGINEERING PVT LTD		DO NOT SCALE DRAWING:	REVISION:
		Email id: info@anandcontrol.in CONTACT NO: 9137620579		TITLE: CENTER POWERFEED ASSEMBLY W-TYPE 2D	
FINISH:		DWG NO:		219X105.6X37	
DATE:		SIGNATURE:		A	
DRAWN:	SAURABH	MATERIAL:			
CHK'D:		WEIGHT:			
APP'D:		SCALE:	SHEET: 1 OF 1		
MFG:					



SECTION A-A
SCALE 1 : 1.3

DETAIL B
SCALE 2 : 1



COMPANY NAME:		ANAND SYSTEM ENGINEERING PVT LTD		DO NOT SCALE DRAWING.	REVISION:
		<p>Email id: info@anandcontrol.in</p> <p>CONTACT NO: 9137620579</p>		<p>TITLE:</p> <p>EXPANSION JOINT ASSEMBLY W-TYPE 2D</p>	
FINISH:		MATERIAL:		DWG NO.	
WEIGHT:		SCALE:		DATE:	
DRAWN:	SAURABH			SIGNATURE:	
CHKD:				A	
APP'D:				SHEET: 1 OF 1	
MFG:					

4

3

2

1

F

F

E

E

D

D

C

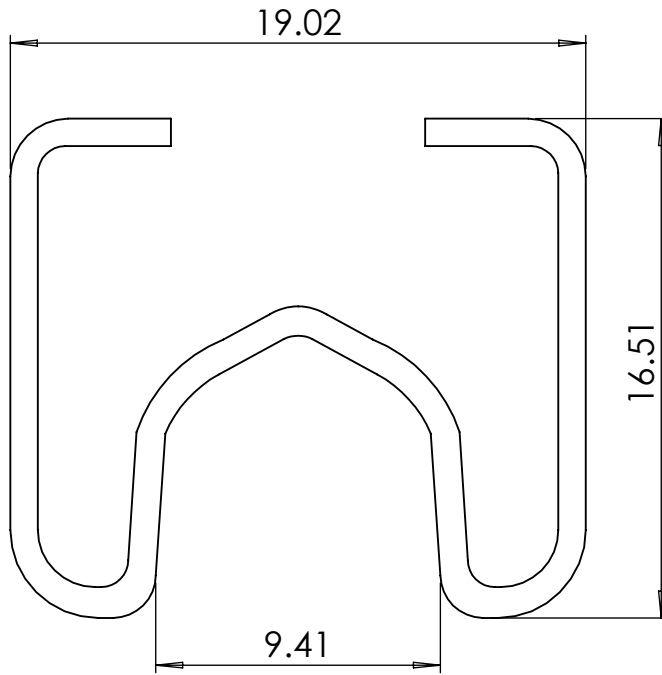
C

B

B

A

A



COMPANY NAME:



ANAND SYSTEM
ENGINEERING PVT LTD

DO NOT SCALE DRAWING.

REVISION:

TITLE:

AL-CU W TYPE
DSL 2D

Email id: info@anandcontrol.in

CONTACT NO: 9137620579

FINISH:

DWG NO.

DATE:

SIGNATURE:

DRAWN	SAURABH
CHK'D	
APP'D	
MFG	

MATERIAL:

WEIGHT:

SCALE:

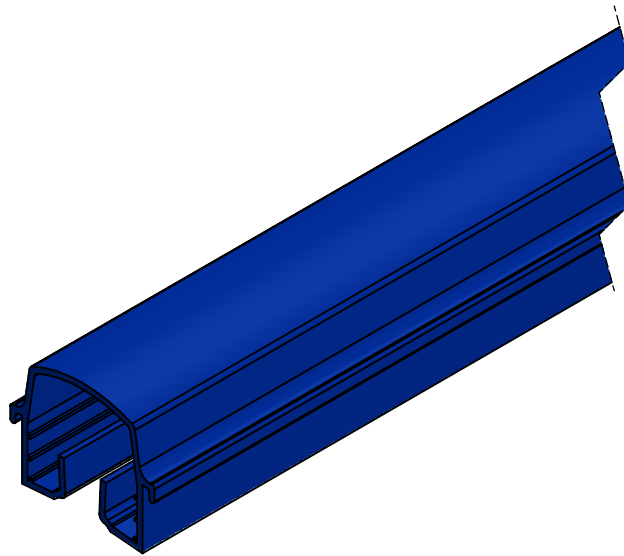
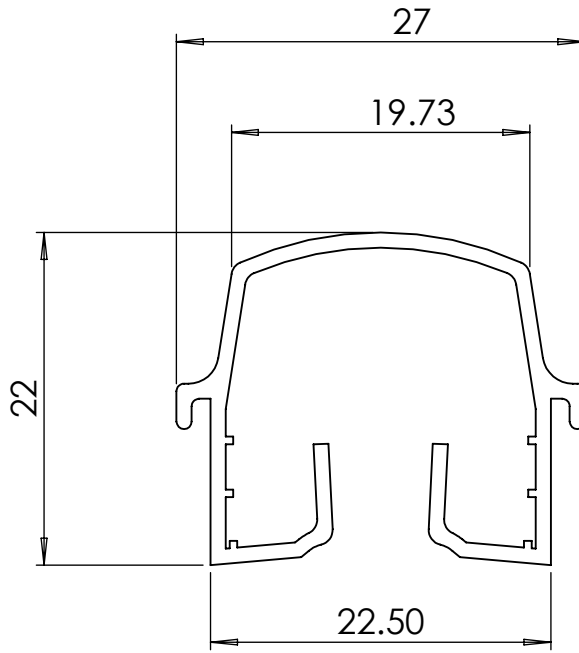
SHEET: 1 OF 1


4

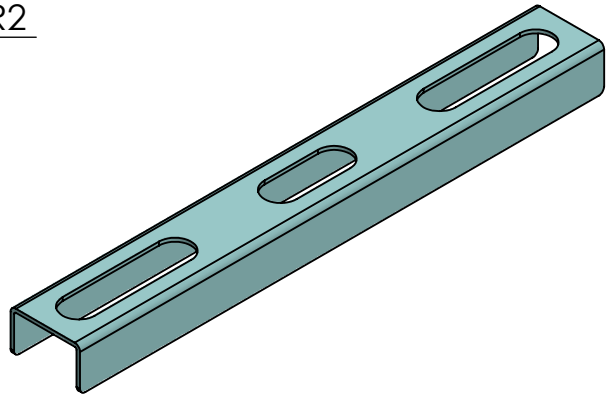
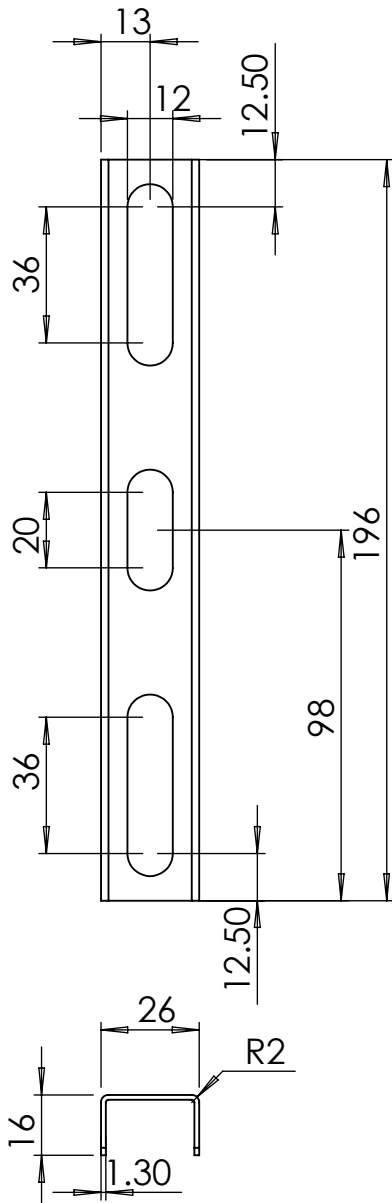
3

2

1



COMPANY NAME:		DO NOT SCALE DRAWING:		REVISION:																	
		ANAND SYSTEM ENGINEERING PVT LTD		TITLE: SLEEVE W TYPE 2D																	
Email id: info@anandcontrol.in CONTACT NO: 9137620579		FINISH:		DWG NO.																	
<table border="1"> <tr> <td>DRAWN</td> <td>SAURABH</td> <td></td> <td></td> </tr> <tr> <td>CHK'D</td> <td></td> <td></td> <td></td> </tr> <tr> <td>APP'D</td> <td></td> <td></td> <td></td> </tr> <tr> <td>MFG</td> <td></td> <td></td> <td></td> </tr> </table>		DRAWN	SAURABH			CHK'D				APP'D				MFG				MATERIAL:		DATE:	
DRAWN	SAURABH																				
CHK'D																					
APP'D																					
MFG																					
		WEIGHT:		SIGNATURE:																	
				SCALE:																	
				SHEET: 1 OF 1																	



B

B

COMPANY NAME:

DO NOT SCALE DRAWING.

REVISION:



**ANAND SYSTEM
ENGINEERING PVT LTD**

TITLE:

**CLAMP
EXPANSION
W-TYPE 2D**

Email id: info@anandcontrol.in

FINISH:

CONTACT NO: 9137620579

DWG NO.

A

A

DRAWN	SAURABH	
CHK'D		
APP'D		
MFG		

MATERIAL:

DATE:

SIGNATURE:

A

WEIGHT:

SCALE:

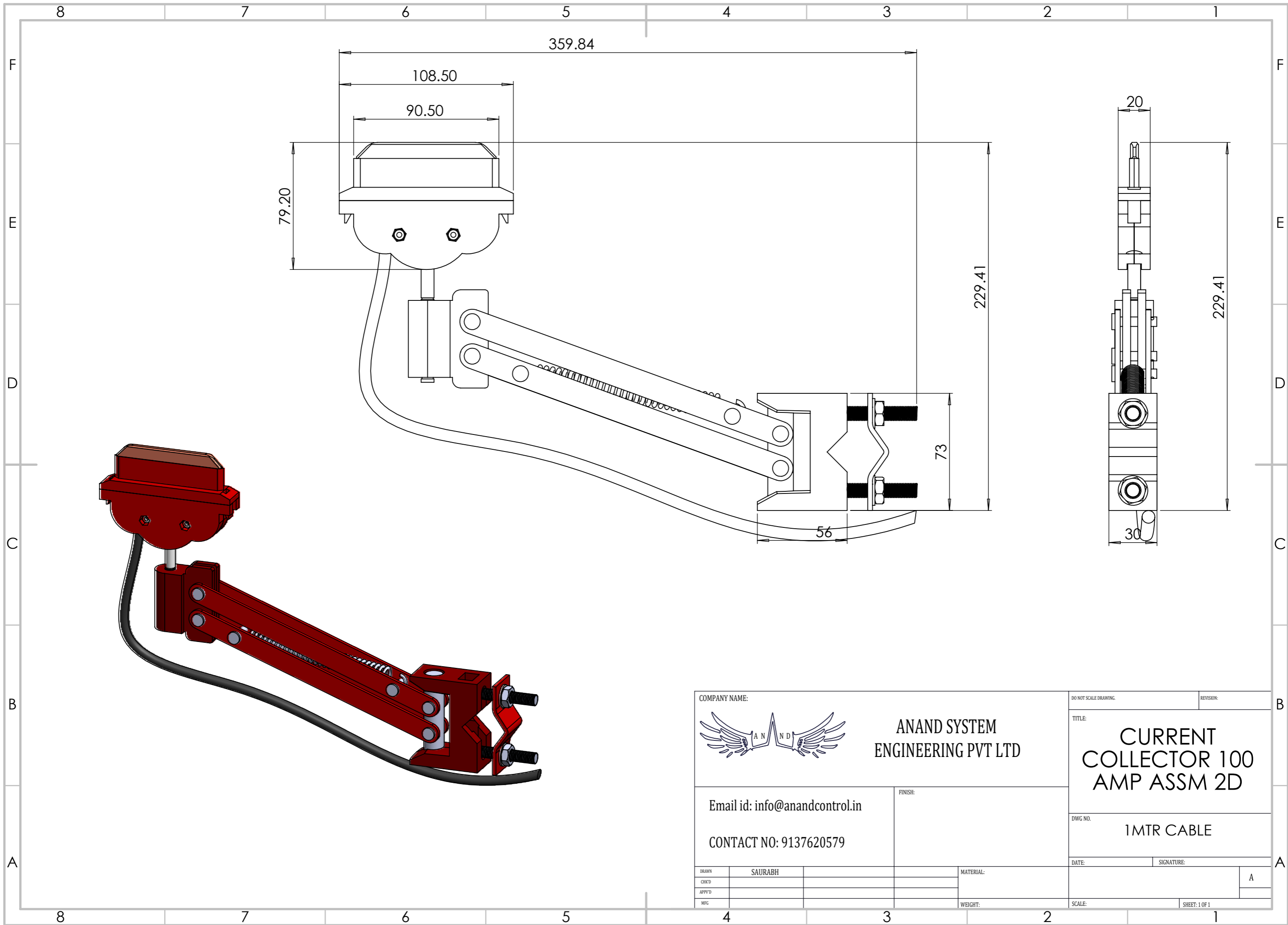
SHEET: 1 OF 1


4

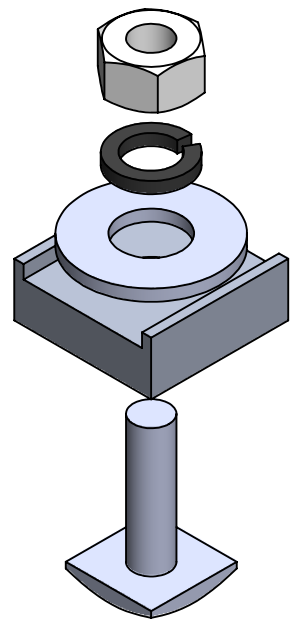
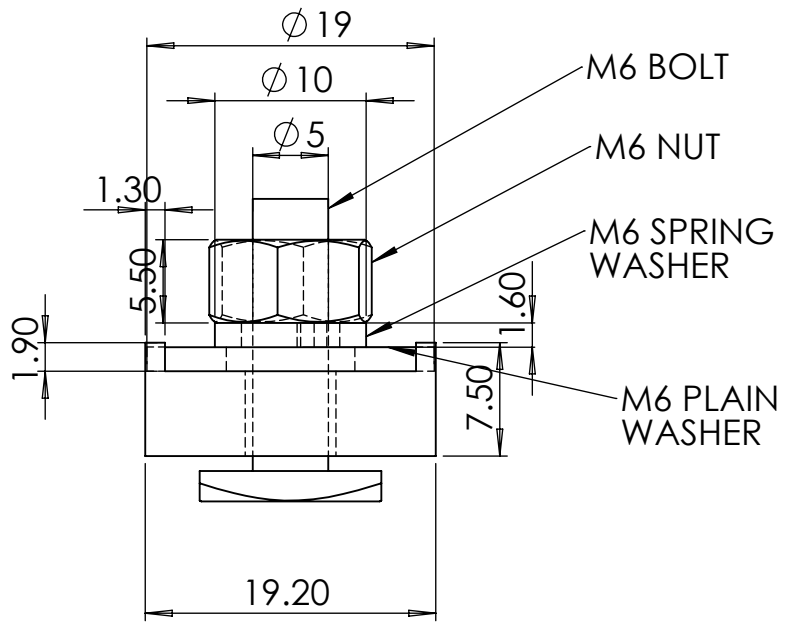
3


2

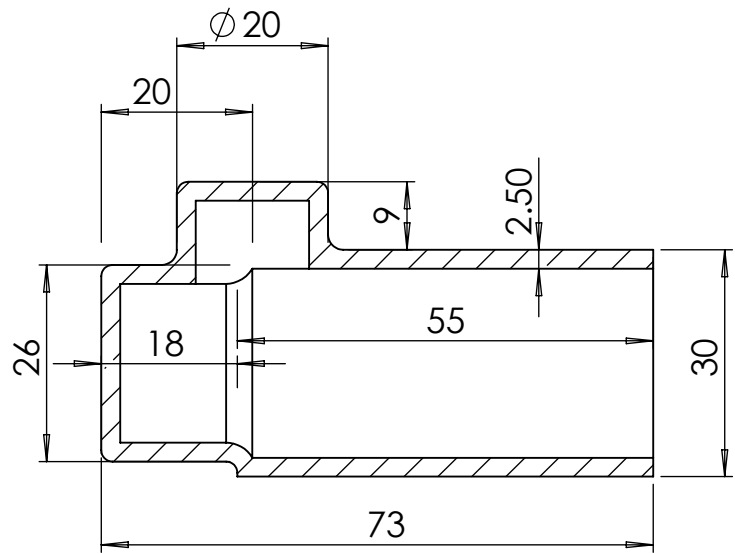
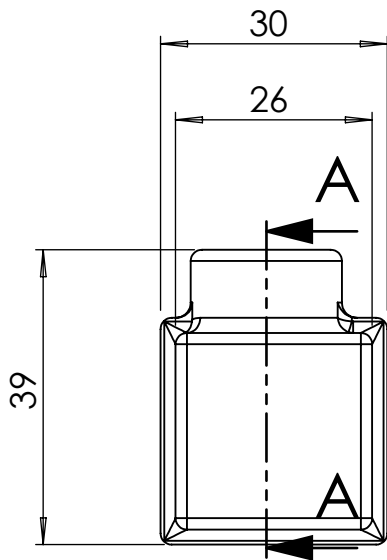
1



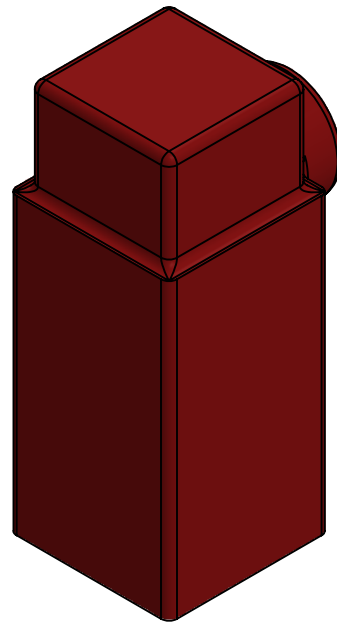
COMPANY NAME:		ANAND SYSTEM ENGINEERING PVT LTD		DO NOT SCALE DRAWING.	REVISION:
		<p>Email id: info@anandcontrol.in</p> <p>CONTACT NO: 9137620579</p>		<p>TITLE:</p> <p>CURRENT COLLECTOR 100 AMP ASSM 2D</p>	
FINISH:		MATERIAL:		<p>DWG NO.</p> <p>1MTR CABLE</p>	
DATE:	SIGNATURE:			A	
SCALE:	SHEET: 1 OF 1				
DRAWN: SAURABH					
CHK'D:					
APPY'D:					
MFG:					



COMPANY NAME:		DO NOT SCALE DRAWING.		REVISION:	
		ANAND SYSTEM ENGINEERING PVT LTD		END CLAMP ASSEMBLY W TYPE 2D	
Email id: info@anandcontrol.in		FINISH:		DWG NO.	
CONTACT NO: 9137620579				DATE:	
DRAWN: SAURABH		MATERIAL:		SIGNATURE:	
CHK'D:				A	
APP'D:					
MFG:		WEIGHT:		SCALE:	
				SHEET: 1 OF 1	



SECTION A-A



COMPANY NAME:



**ANAND SYSTEM
ENGINEERING PVT LTD**

DO NOT SCALE DRAWING.

REVISION:

TITLE:

**END COVER
W TYPE 2D**

Email id: info@anandcontrol.in

CONTACT NO: 9137620579

FINISH:

DWG NO.

DATE:

SIGNATURE:

DRAWN	SAURABH
CHK'D	
APP'D	
MFG	

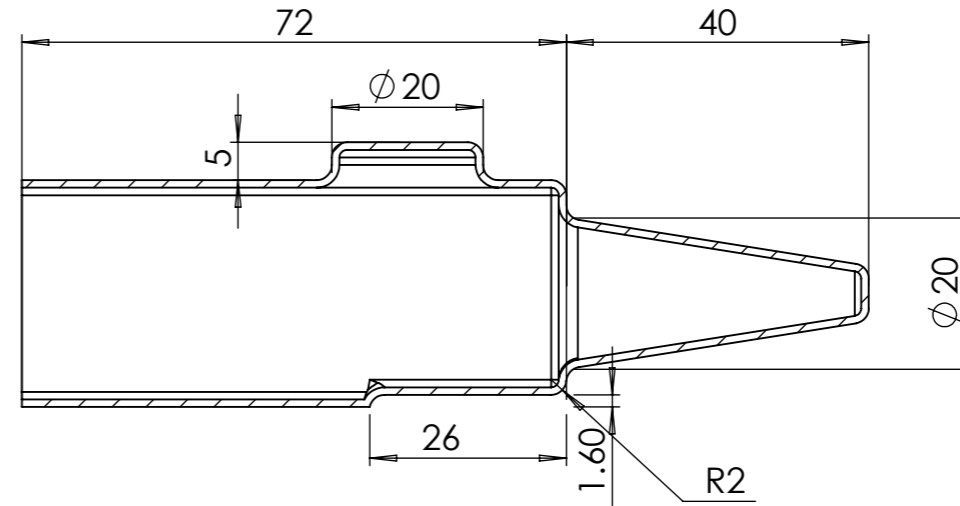
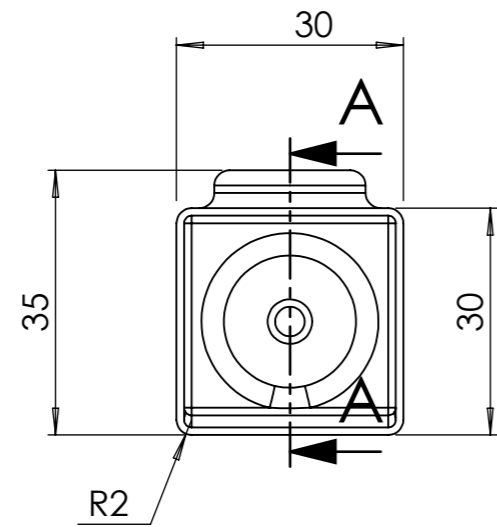
MATERIAL:

WEIGHT:

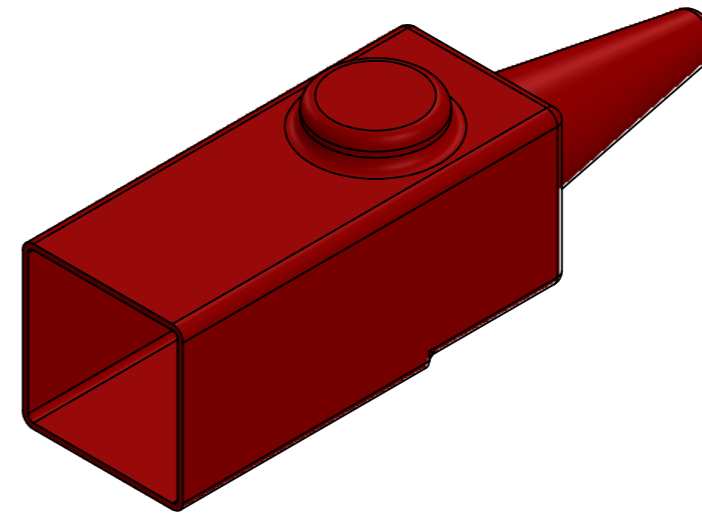
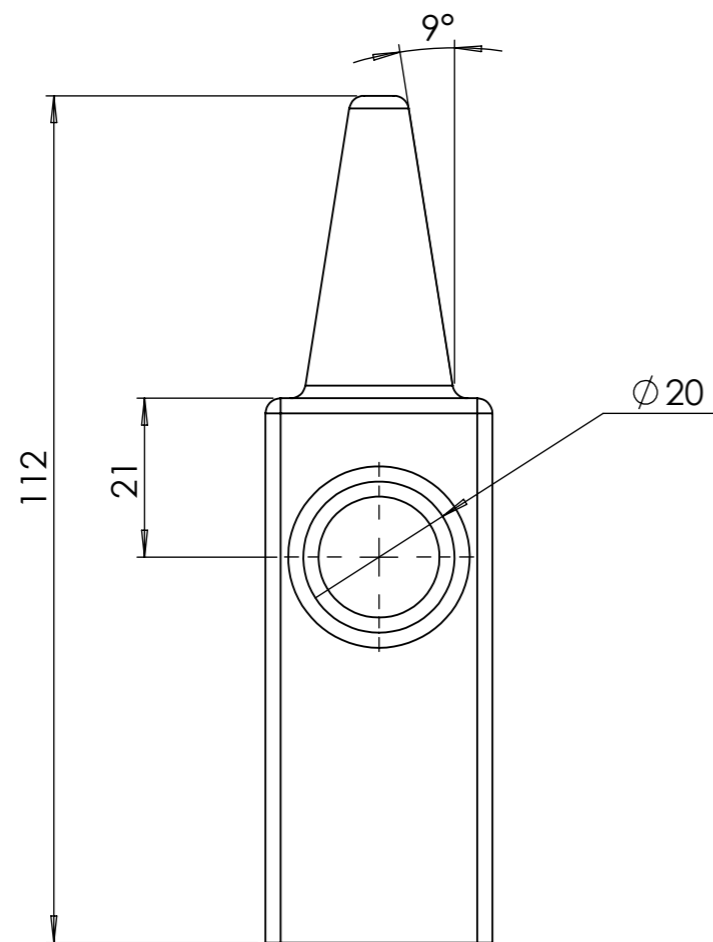
SCALE:

SHEET: 1 OF 1

A



SECTION A-A



COMPANY NAME:



**ANAND SYSTEM
ENGINEERING PVT LTD**

Email id: info@anandcontrol.in

CONTACT NO: 9137620579

FINISH:

DO NOT SCALE DRAWING.

REVISION:

TITLE:

**END POWER FEED
W-TYPE 2D**

DWG NO.

DATE:

SIGNATURE:

DRAWN
CHK'D
APPV'D
MFG

SAURABH

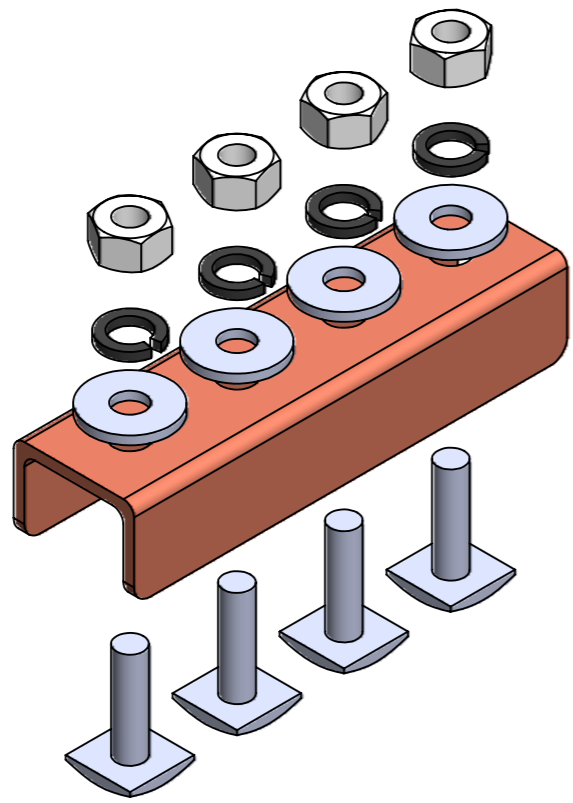
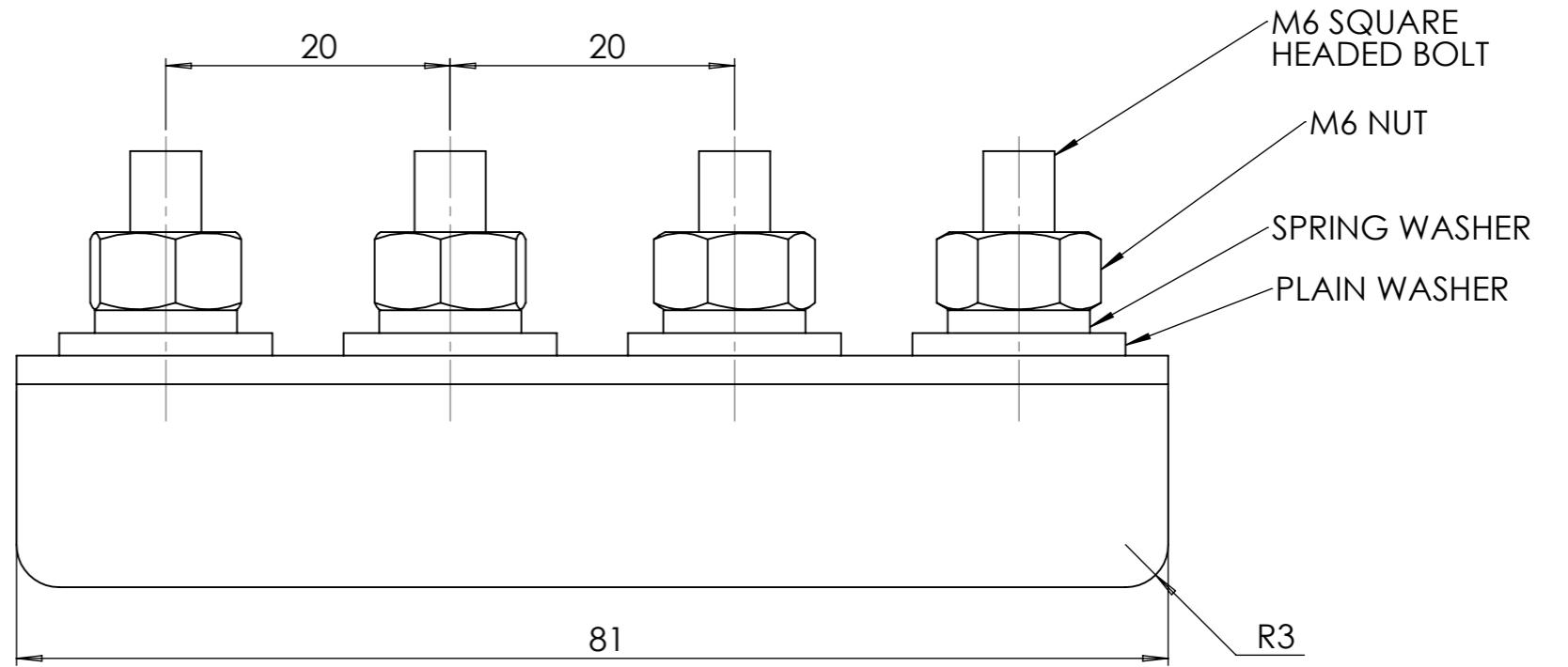
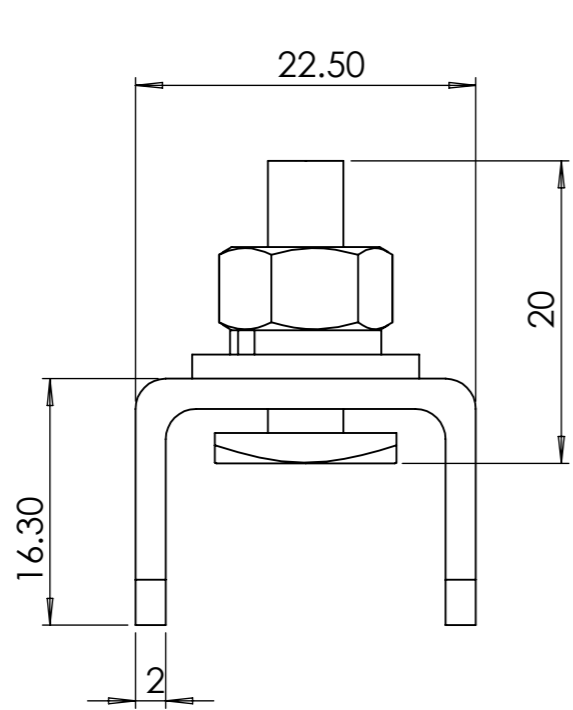
MATERIAL:


WEIGHT:

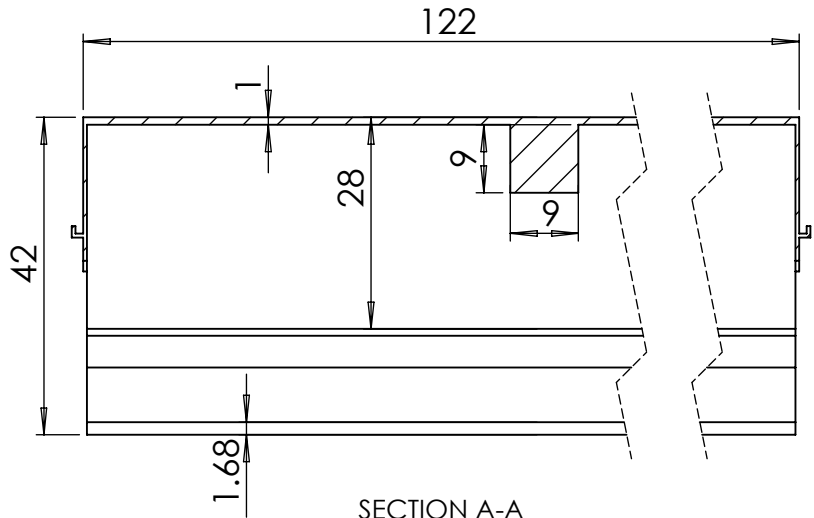
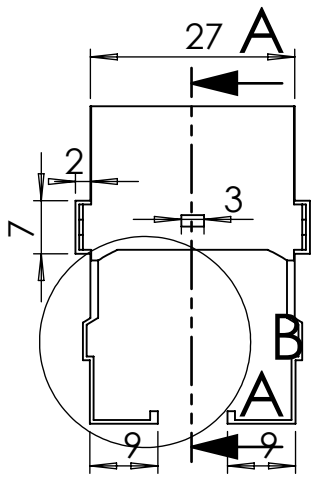
SCALE:

SHEET: 1 OF 1

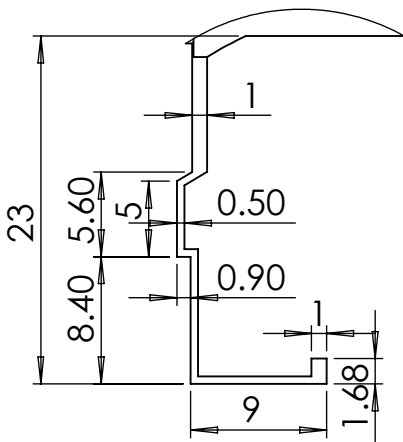
A



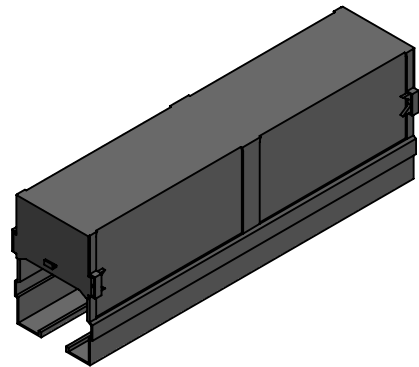
COMPANY NAME:		ANAND SYSTEM ENGINEERING PVT LTD		DO NOT SCALE DRAWING.	REVISION:
		<p>Email id: info@anandcontrol.in</p> <p>CONTACT NO: 9137620579</p>		<p>TITLE:</p> <p>JOINT CLAMP ASSEMBLY CU W TYPE 2D</p>	
FINISH:		DATE:		SIGNATURE:	
DRAWN: SAURABH	CHK'D:	MATERIAL:	A		
APPY'D:		WEIGHT:	SCALE:	SHEET: 1 OF 1	



SECTION A-A
SCALE 1 : 1



DETAIL B
SCALE 2 : 1



COMPANY NAME:



**ANAND SYSTEM
ENGINEERING PVT LTD**

DO NOT SCALE DRAWING.

REVISION:

TITLE:

**JOINT COVER
W-TYPE 2D**

Email id: info@anandcontrol.in

CONTACT NO: 9137620579

FINISH:

DWG NO.

DATE:

SIGNATURE:

DRAWN	SAURABH
CHK'D	
APP'D	
MFG	

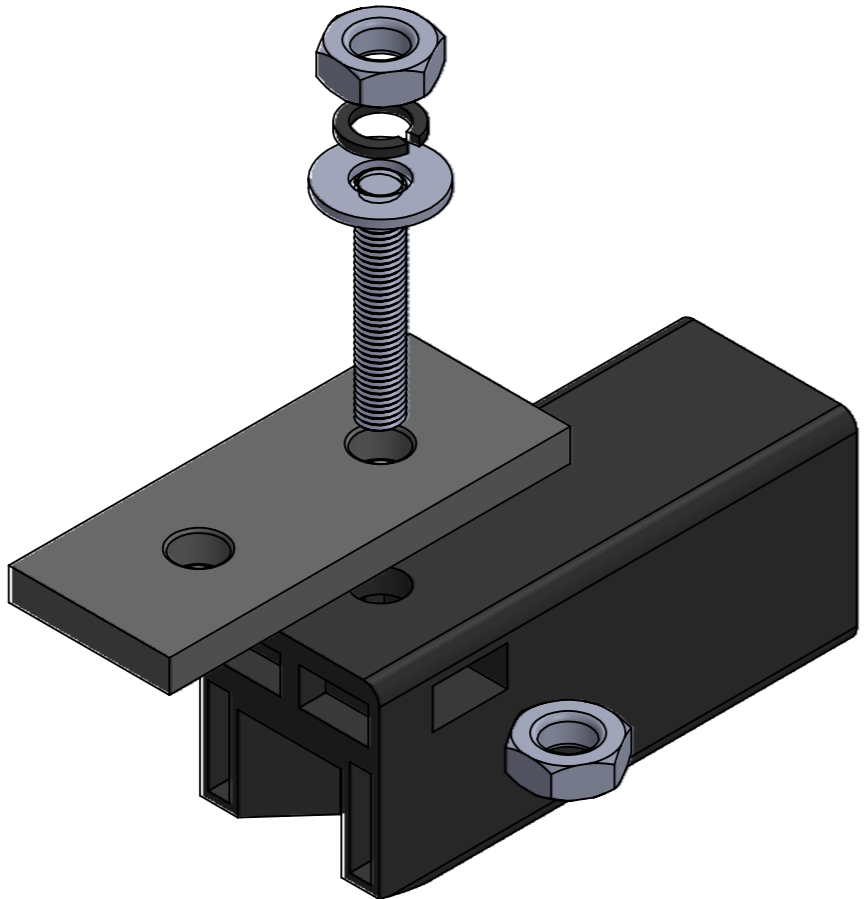
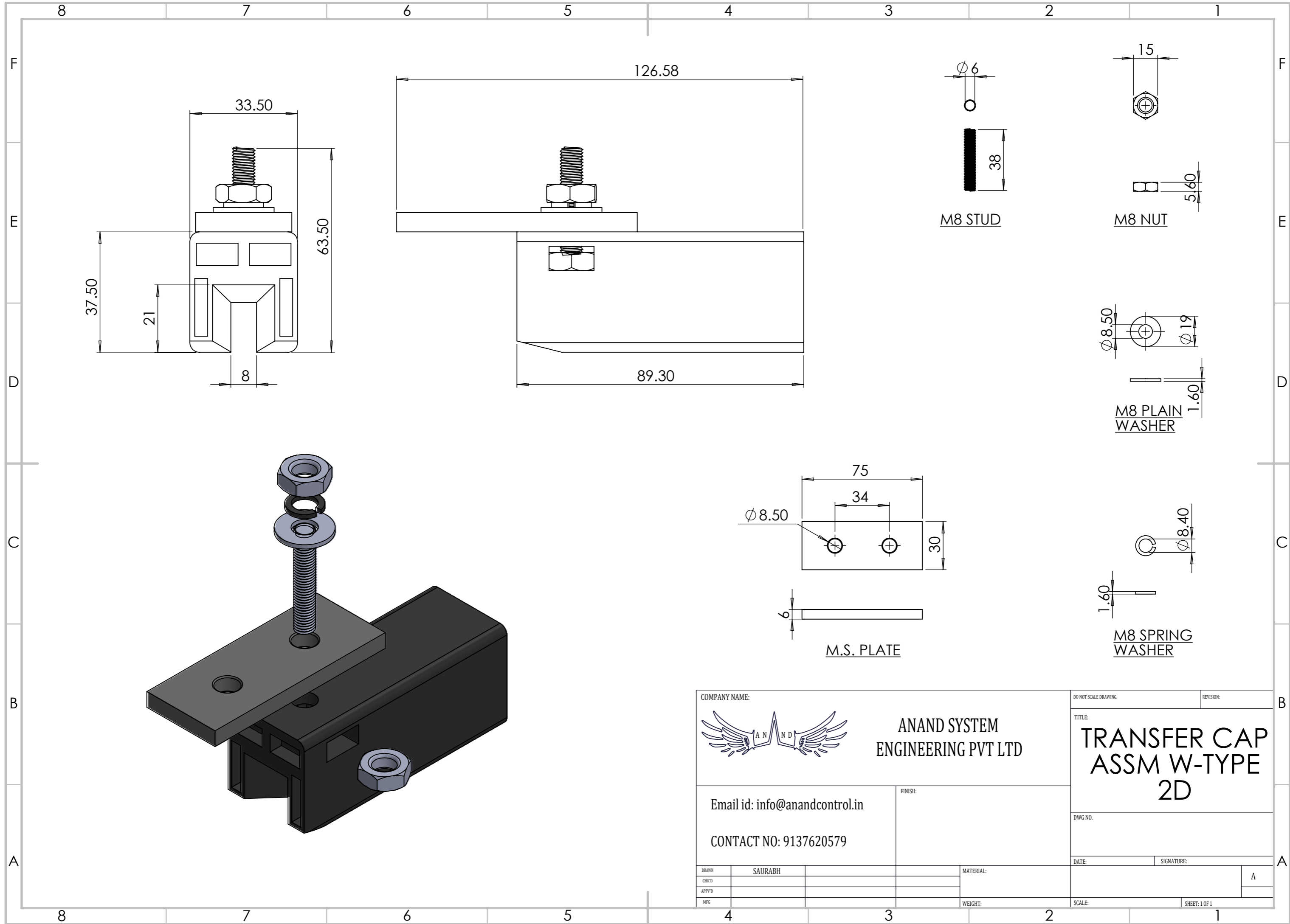
MATERIAL:


WEIGHT:

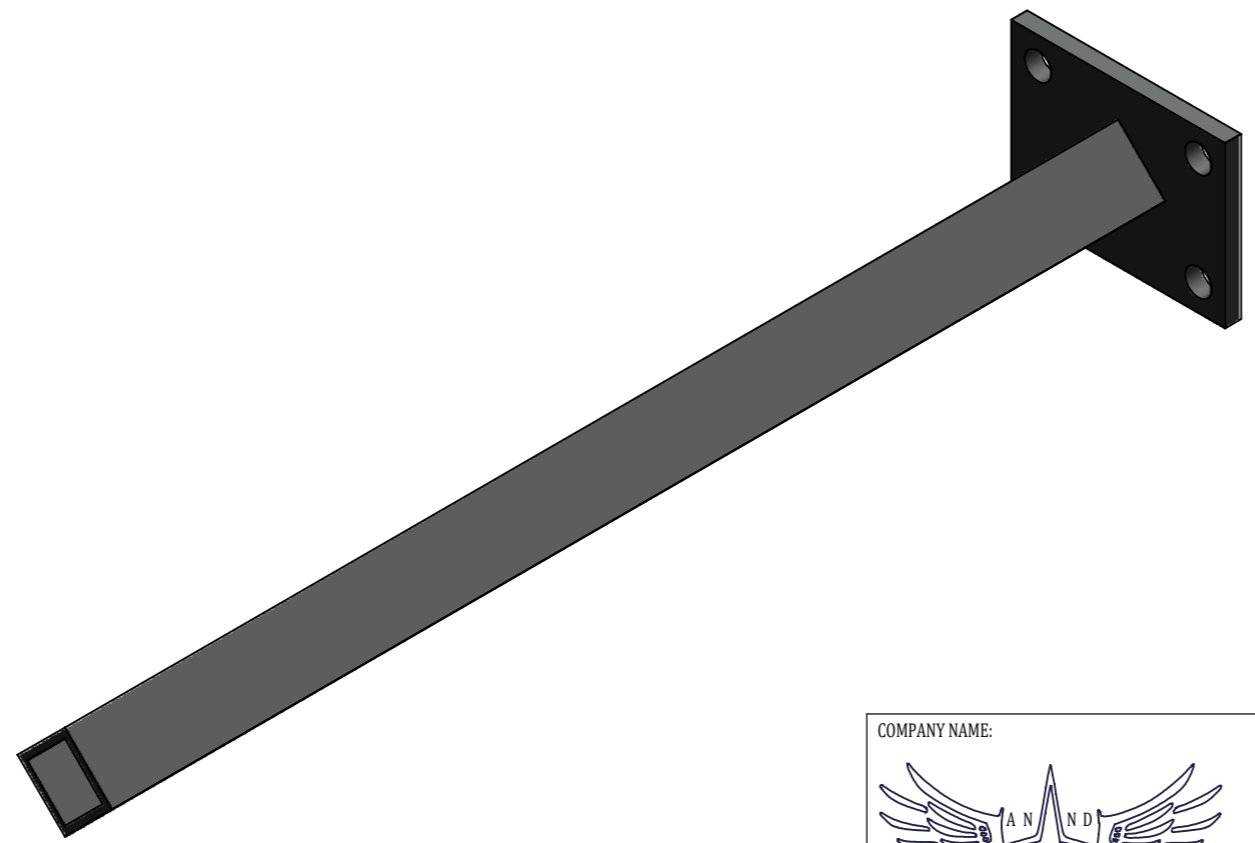
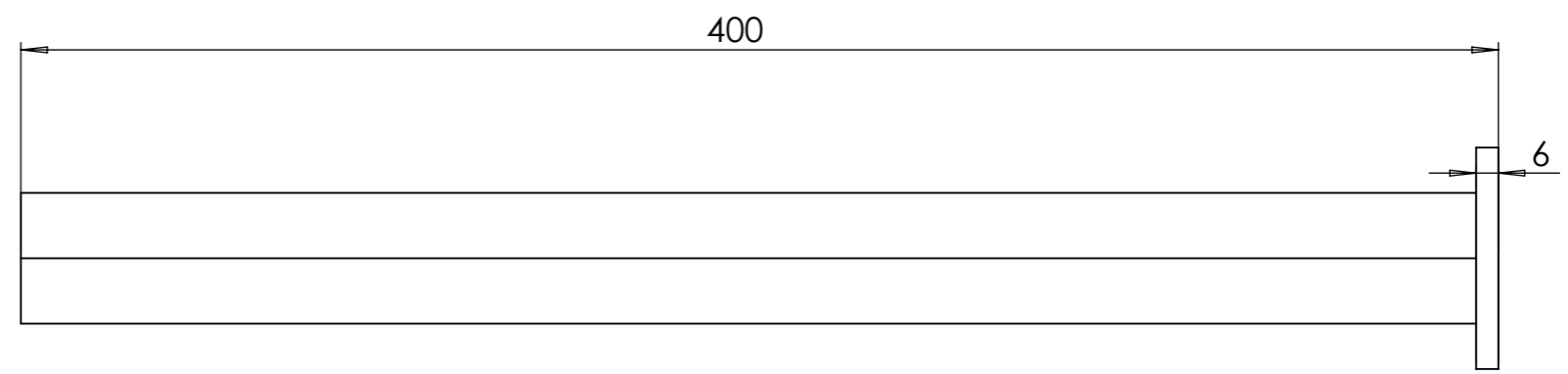
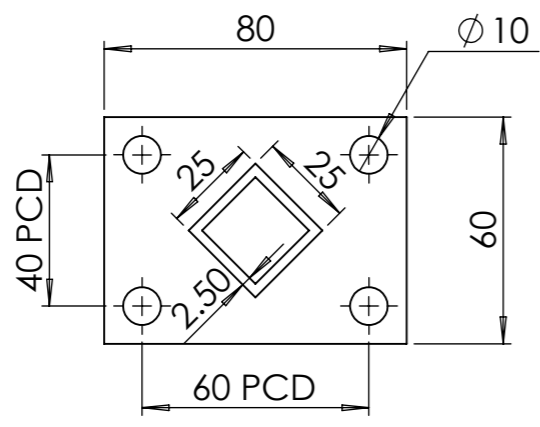
SCALE:


SHEET: 1 OF 1

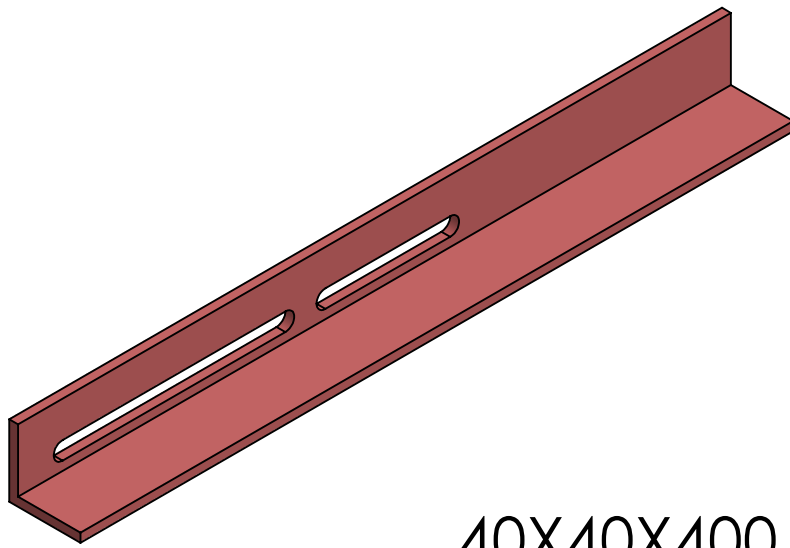
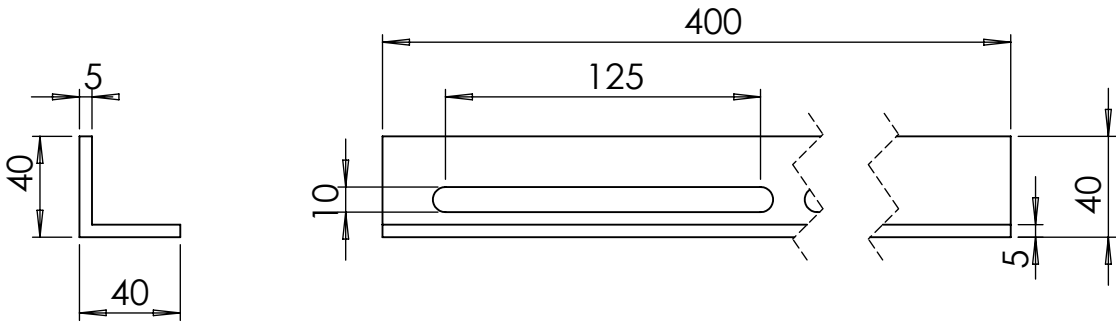
A




COMPANY NAME:		ANAND SYSTEM ENGINEERING PVT LTD		DO NOT SCALE DRAWING.	REVISION:
		Email id: info@anandcontrol.in CONTACT NO: 9137620579		TITLE: TRANSFER CAP ASSM W-TYPE 2D	
FINISH:		MATERIAL:		DWG NO.	
DATE:		SIGNATURE:		A	
DRAWN: SAURABH	CHK'D:	APPY'D:	MFG:	SCALE:	SHEET: 1 OF 1



COMPANY NAME:		ANAND SYSTEM ENGINEERING PVT LTD		DO NOT SCALE DRAWING.	REVISION:
		<p>Email id: info@anandcontrol.in</p> <p>CONTACT NO: 9137620579</p>		<p>TITLE:</p> <h1>C.C-Bracket 100 AMP</h1>	
FINISH:		DATE:		SIGNATURE:	
DRAWN	SAURABH	MATERIAL:	A		
CHK'D					
APPY'D					
MFG		WEIGHT:	SCALE:	SHEET: 1 OF 1	



40X40X400, THK-5
MM

COMPANY NAME:		DO NOT SCALE DRAWING.		REVISION:	
 <p>ANAND SYSTEM ENGINEERING PVT LTD</p>		TITLE:			
Email id: info@anandcontrol.in		Web-Bracket 400 W TYPE 2D			
CONTACT NO: 9137620579		DWG NO.			
FINISH:		DATE:		SIGNATURE:	
DRAWN	SAURABH	MATERIAL:		A	
CHK'D		WEIGHT:			
APP'D		SCALE:			
MFG		SHEET: 1 OF 1			