

4

3

2

1

F

F

ALUMINIUM

PVC SLEEVE

27

19

22

16.01

E

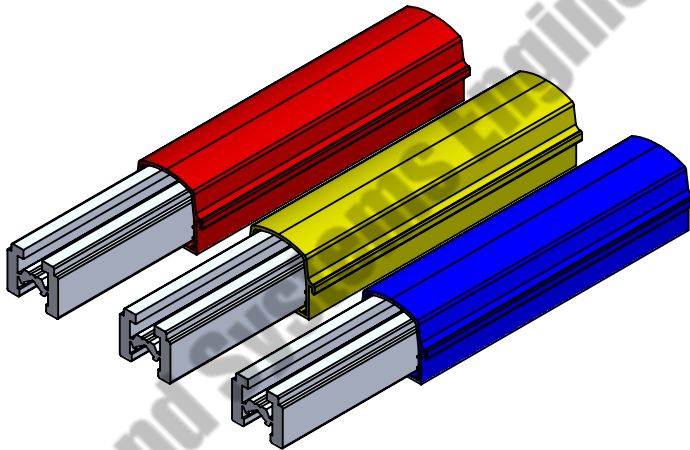
E

D

D

C

C



200AMP- ALUMINIUM-  
03BAR BOLTED(W) TYPE  
RED YELLOW BLUE COLOUR  
PVC

B

B

COMPANY NAME:



ANAND SYSTEM  
ENGINEERING PVT LTD

DO NOT SCALE DRAWING.

REVISION:

TITLE:

Safelink W  
200Amp ALU  
RYB 2D

DWG NO.

Email id: info@anandcontrol.in

FINISH:

CONTACT NO: 9137620579

DATE:

SIGNATURE:

A

A

DRAWN	SAURABH
CHK'D	
APP'D	
MFG	

MATERIAL:	
WEIGHT:	

A

SCALE:

SHEET: 1 OF 1

4

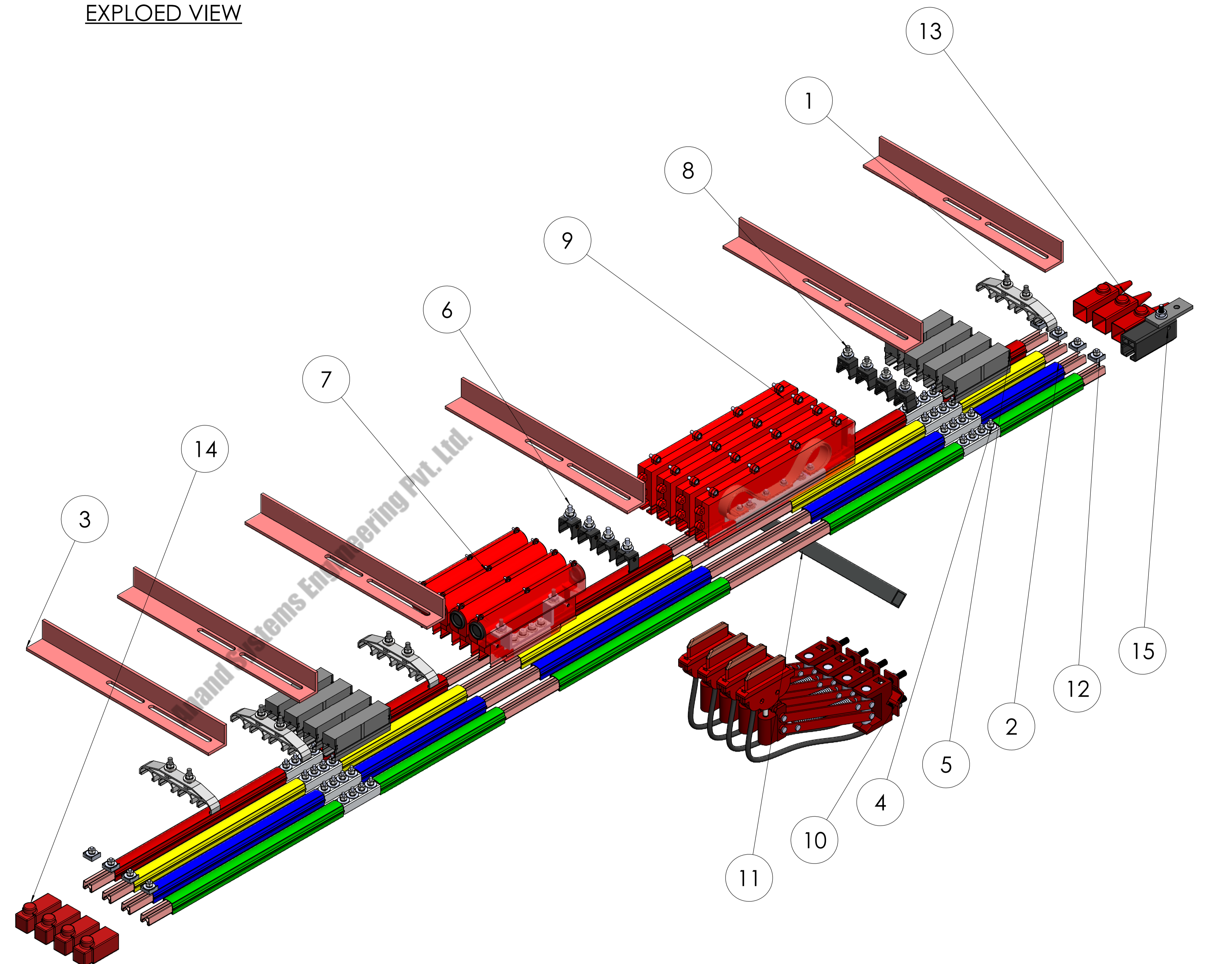
3

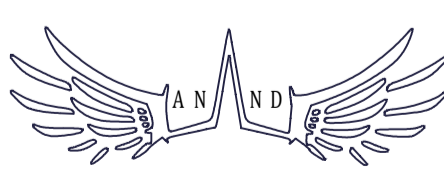
2

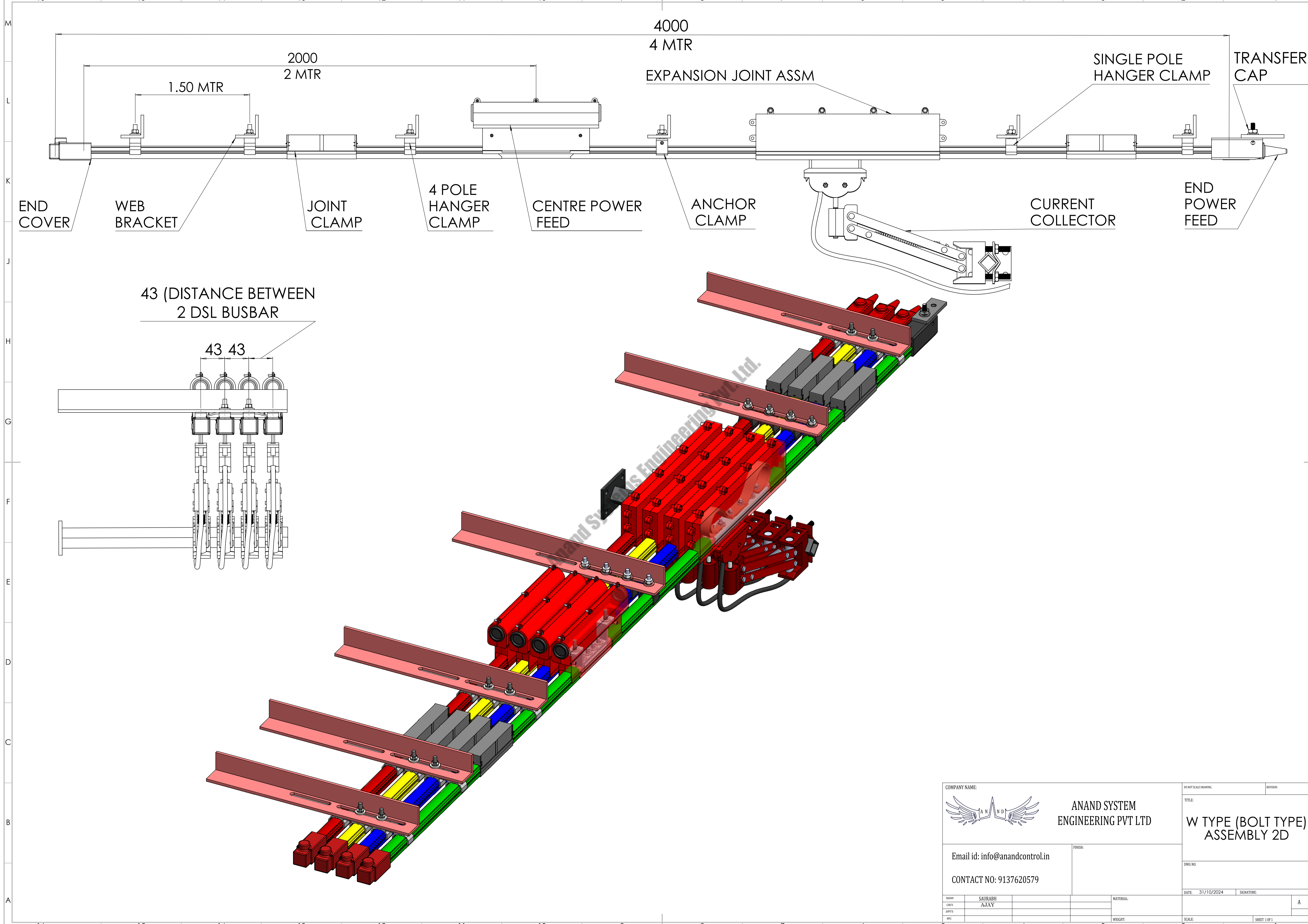
1

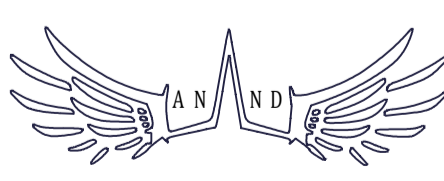
ITEM NO.	PART NAME	DESCRIPTION	MATERIAL	QTY.
1	<b>4 POLE HANGER CLAMP W TYPE.ASSEMBLY</b>	158X29X20	DELTRIN	4
	4 POLE HANGER CLAMP CC	158X29X20	DELTRIN	1
	HEX BOLT	M8, 8X20, END COVER FIXING	M.S.	2
	PLAIN WASHER	19X8.5X1.5	M.S.	2
	HEX NUT	M6	M.S.	2
	SPRING WASHER	M8	SPRING STEEL 4454 GRADE-02	2
2	<b>BUSBAR ASSEMBLY W TYPE</b>	40X40X400, THK-5 MM		4
	AL-W-type	4500X19X16.5	ALUMINIUM	1
	SLEEVE W TYPE	4415X26X22	PVC	1
3	<b>Web-Bracket W TYPE</b>	35X35, THK-5 MM	M.S.	6
	<b>JOINT CLAMP ASSEMBLY W TYPE</b>	70X28X40	G.I	8
4	HEX NUT	M6	M.S.	4
	PLAIN WASHER	M8	M.S.	4
	POWERFEED CLAMP W-TYPE	16.3X22X81	ALUMINIUM	1
	SPRING WASHER M6 W TYPE	M6	SPRING STEEL 4454 GRADE-02	4
	SQUARE HEAD BOLT W- TYPE	18XM6	M.S.	4
5	<b>JOINT COVER W-TYPE</b>	42X26X102	DELTRIN	8
	<b>ANCHOR CLAMP ASSEMBLY W TYPW</b>	28X30X20	DELTRIN	4
6	ANCHOR CLAMP W TYPE		DELTRIN	2
	HEX_BOLT	M8X25	M.S	1
	HEX NUT	M8	M.S.	1
	PLAIN WASHER	M8	M.S.	1
	SPRING WASHER	M8	SPRING STEEL 4454 GRADE-02	1
7	HEX BOLT	M5X35	M.S.	1
	LOCK NUT	M5	M.S.	1
	<b>CENTER POWERFEED ASSEMBLY W-TYPE</b>	219X105.6X37		4
	CENTER POWERFEED W-TYPE-1		DELTRIN	2
	NUT	M8	M.S.	2
8	PAN HEADED SCREW	SELF THREAD SCREW	M.S.	3
	PAN HEADED SCREW	SELF THREAD SCREW	M.S.	2
	PLAIN WASHER W TYPE	18.5X9X1.5	M.S.	6
	POWER FEED ALU BRACKET	144X37X5.5	ALUMINIUM	1
	GRUMET	Ø 30	RUBBER	2
	POWERFEED CLAMP W-TYPE	16.3X22X81	ALUMINIUM	1
	SPRING WASHER	M8	SPRING STEEL 4454 GRADE-02	6
	SQUARE HEAD BOLT W- TYPE	18XM6	M.S.	4
	HEX BOLT	M8, 8X20	M.S.	2
	HEX NUT	M6	M.S.	4
9	<b>SINGLE POLE HANGER CLAMP W-TYPE ASSM</b>	28X37X19.3		4
	SINGLE POLE HANGER CLAMP W-TYPE			1
	HEX BOLT	M8, 8X20	M.S.	1
	HEX NUT	M8	M.S.	1
	PLAIN WASHER	M8	M.S.	1
10	SPRING WASHER	M8	SPRING STEEL 4454 GRADE-02	1
	<b>EXPANSION JOINT ASSEMBLY W-TYPE</b>	321X80X30		4
	CLAMP EXPANSION W-TYPE			1
	END CLAM EXPANSION	16.5X23.5X22	G.I	6
	DSL_NEW-1	DSL BUSBAR WITH SLEEVE		1
	WASHER-1	18X8X1.5	M.S.	1
	COPPER SLEEVE	20X20	COPPER	4
	COPPER SLEEVE 2	20X59	COPPER	2
	PLAIN WASHER	M6	M.S.	1
	NUT	M6	M.S.	1
	COPPER-FLAT-COIL 2 W-TYPE		COPPER	2
	COPPER-FLAT-COIL-1 W-TYPE		COPPER	2
11	EXPANSION JOINT COVER W-TYPW		DELTRIN	2
	SQUARE HEAD BOLT W- TYPE	18XM6	M.S.	6
	HEX BOLT	M4X10	M.S	4
	HEX NUT	M4	M.S.	4
	<b>CURRENT COLLECTOR 100 AMP ASSM</b>	230X332		4
	ARM 1	220X15.5X3	M.S.	4
	LOWER BRACKET	56X73X30	CASTING	1
	LOWER PIN	16X70	M.S.	1
	VERTICAL LEVER CC	50X61X24	CASTING	1
	SPACER PIN	26X Ø 6	M.S.	6
12	UPPER BRACKET	108.5X43X10	PLASTIC	2
	VERTICAL STUD	104X Ø 7	M.S.	1
	SHOE HOLDER	108.5X20X40	PLASTIC	1
	CONTACT PATTI	87X47X3	COPPER	1
	SPRING	Ø 13.5X22	SPRING STEEL 4454 GRADE-02	1
	LOWER BRACKET CC 2	70X30X3	M.S.	1
	HEX BOLT	8X40	M.S.	2
	NUT	M8	M.S.	2
	PLAIN WASHER W TYPE	18.5X9X1.5	M.S.	2
	HEX NUT	M4	M.S.	2
13	TENSION SPRING	Ø 15X115	SPRING STEEL 4454 GRADE-02	1
	wire	105 SQ MM, 1mtr		1
	<b>C.C-Bracket 100 AMP</b>	80X60XTHK-6, SQ-25X25X400	M.S.	1
	<b>END CLAMP ASSEMBLY W TYPE</b>			8
	END CLAMP W TYPE			8
14	SQUARE HEAD BOLT W- TYPE	18XM6	M.S.	8
	HEX NUT	M6	M.S.	8
	SPRING WASHER M6 W TYPE	M6	SPRING STEEL 4454 GRADE-02	8
15	PLAIN WASHER	M8	M.S.	8
	<b>END POWER FEED COVER W-TYPE</b>	112X30X35	PVC	3
15	<b>END COVER W TYPE</b>	73X39X30	PVC	4
	<b>TRANSFER CAP ASSM W-TYPE</b>			1
	HEX BOLT	M8X50	M.S.	1
	NUT	M8	M.S.	2
	PLAIN WASHER	M8	M.S.	1
	SPRING WASHER	M8	SPRING STEEL 4454 GRADE-02	1
15	TRANSFER CAP BODY W-TYPE	37.5X33.5X89.3		1
	TRANSFER CAP M.S. PLATE W-TYPE 2D.PDF	75 X36X6	M.S.	1

### EXPLODED VIEW



COMPANY NAME:		ANAND SYSTEM ENGINEERING PVT LTD		DO NOT SCALE DRAWING	REVISION:
		<b>W TYPE (BOLT TYPE) ASSEMBLY 2D</b>		TITLE:	
Email id: info@anandcontrol.in		FINISH:		DWG. NO.	
CONTACT NO: 9137620579		DATE:		SIGNATURE:	
DRWN: SAURABH	CHKD: AJAY	MATERIAL:		A	
APPD:		WEIGHT:		SCALE:	
MFC:		SHEET: 1 OF 1			



COMPANY NAME:		ANAND SYSTEM ENGINEERING PVT LTD		DO NOT SCALE DRAWING	REVISION:
		Email id: info@anandcontrol.in CONTACT NO: 9137620579		TITLE: W TYPE (BOLT TYPE) ASSEMBLY 2D	
DATE: 31/10/2024	SIGNATURE:	DWG. NO.:		SHEET: 1 OF 1	
DRWN: SAURABH	CHKD: AJAY	MATERIAL:		A	
APPR:		WEIGHT:			
MFC:					

4

3

2

1

F

F

E

E

D

D

C

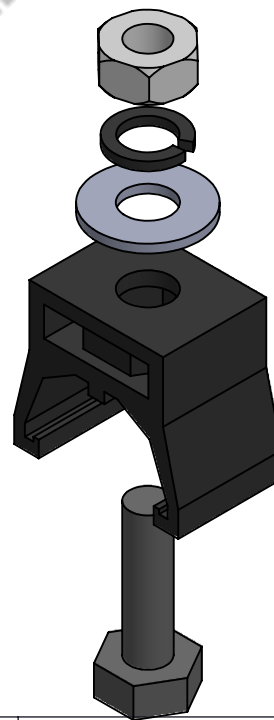
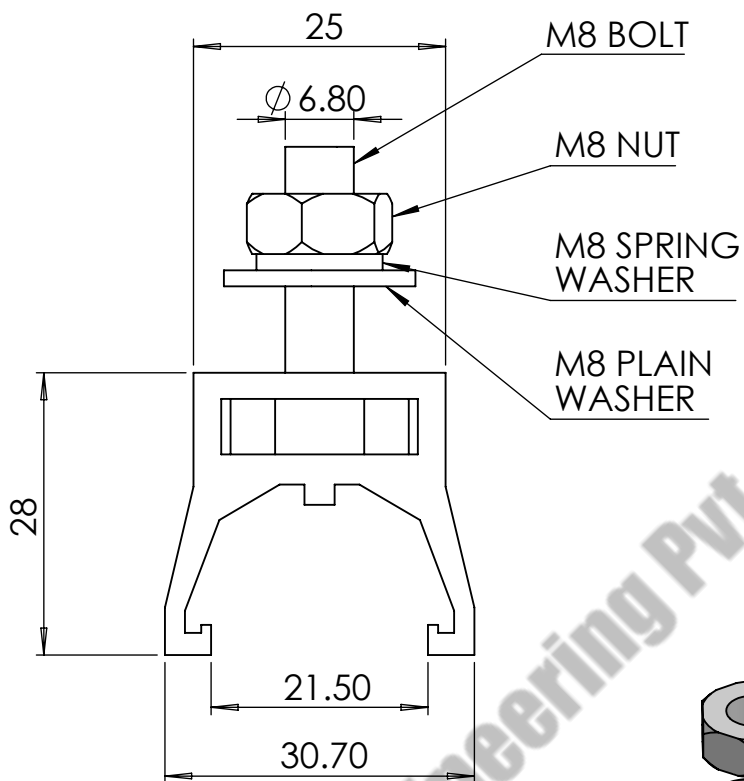
C

B

B

A

A



Anand Systems Engineering Pvt. Ltd.

COMPANY NAME:



ANAND SYSTEM  
ENGINEERING PVT LTD

DO NOT SCALE DRAWING

REVISION:

TITLE:

SINGLE POLE  
HANGER CLAMP  
W-TYPE ASSM 2D

Email id: info@anandcontrol.in

FINISH:

CONTACT NO: 9137620579

DWG NO.

DATE:

SIGNATURE:

DRAWN	SAURABH
CHK'D	
APP'D	
MFG	

MATERIAL:

WEIGHT:

SCALE:

SHEET: 1 OF 1

4

3

2

1

4

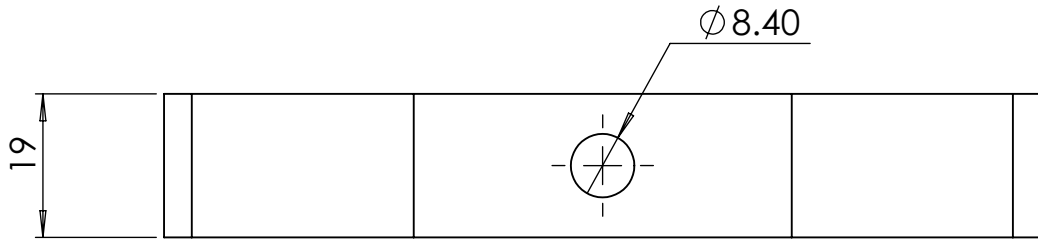
3

2

1

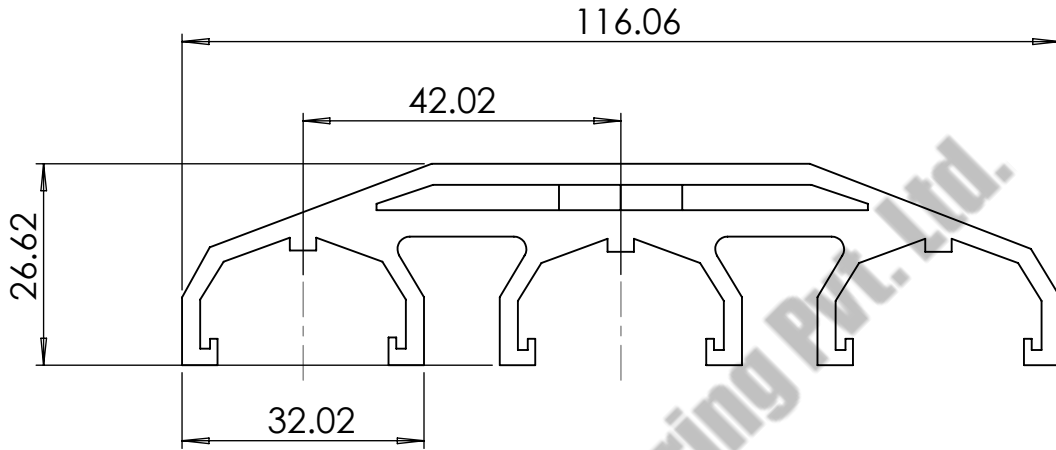
F

F



E

E

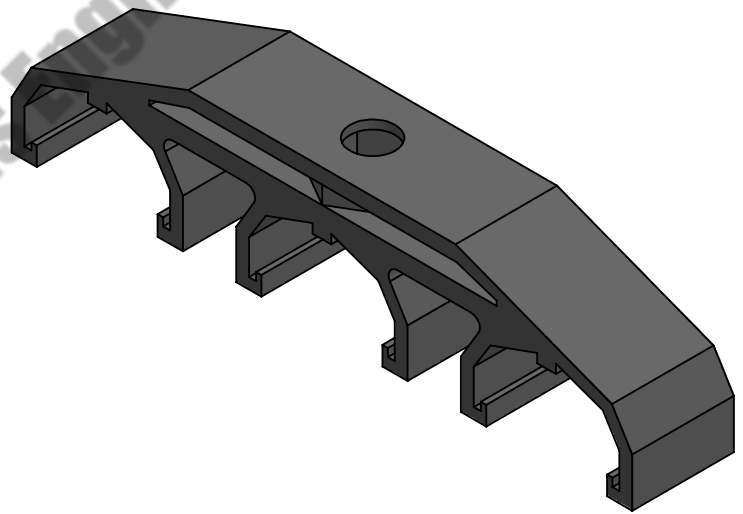


D

D

C

C



B

B

COMPANY NAME:



**ANAND SYSTEM  
ENGINEERING PVT LTD**

DO NOT SCALE DRAWING.

REVISION:

TITLE:

**3 POLE HANGER  
CLAMP W TYPE  
2D**

Email id: info@anandcontrol.in

FINISH:

CONTACT NO: 9137620579

DWG NO.

A

A

DRAWN	SAURABH
CHK'D	
APP'D	
MFG	

MATERIAL:

DATE:

SIGNATURE:

A

WEIGHT:

SCALE:

SHEET: 1 OF 1

4

3

2

1

4

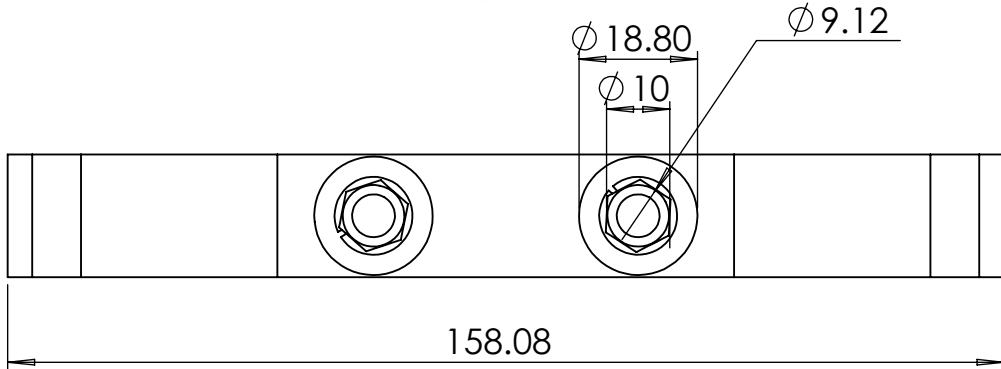
3

2

1

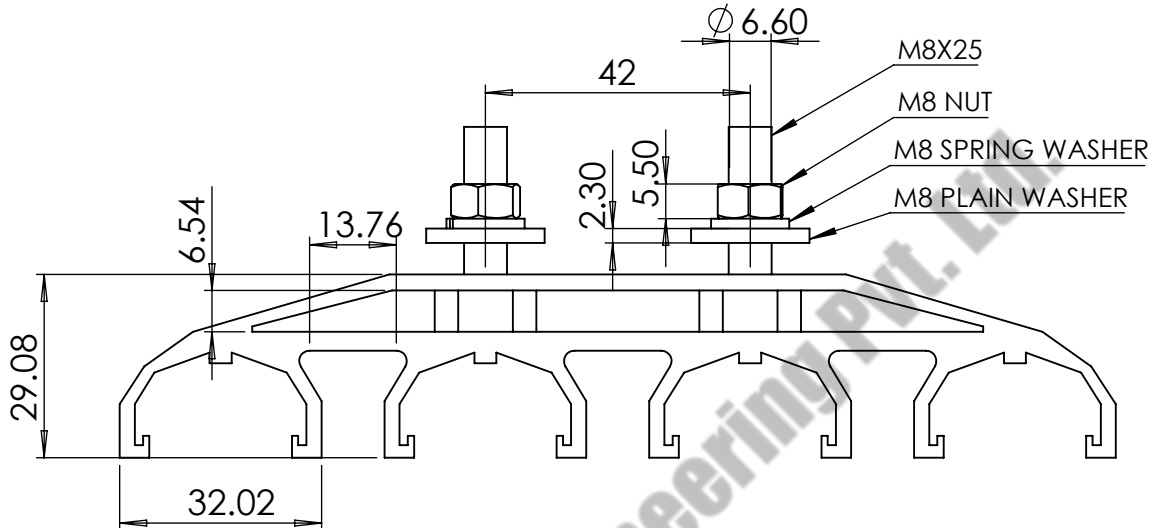
F

F



E

E

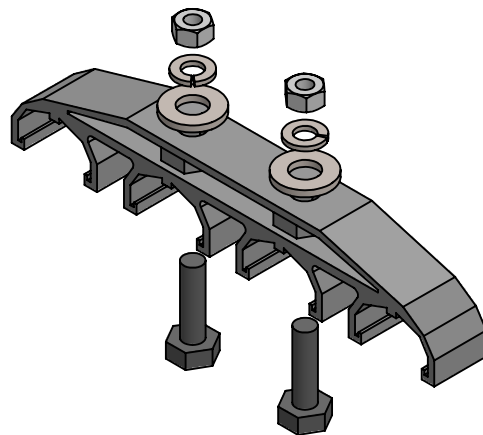


D

D

C

C



Anand Systems Engineering Pvt. Ltd.

B

B

COMPANY NAME:



**ANAND SYSTEM  
ENGINEERING PVT LTD**

DO NOT SCALE DRAWING.

REVISION:

TITLE:

**4 POLE HANGER  
CLAMP W  
TYPE.ASSEMBLY 2D**

A

A

Email id: info@anandcontrol.in

CONTACT NO: 9137620579

FINISH:

DWG NO.

DATE:

SIGNATURE:

A

DRAWN	SAURABH
CHK'D	
APP'D	
MFG	

MATERIAL:

WEIGHT:

SCALE:

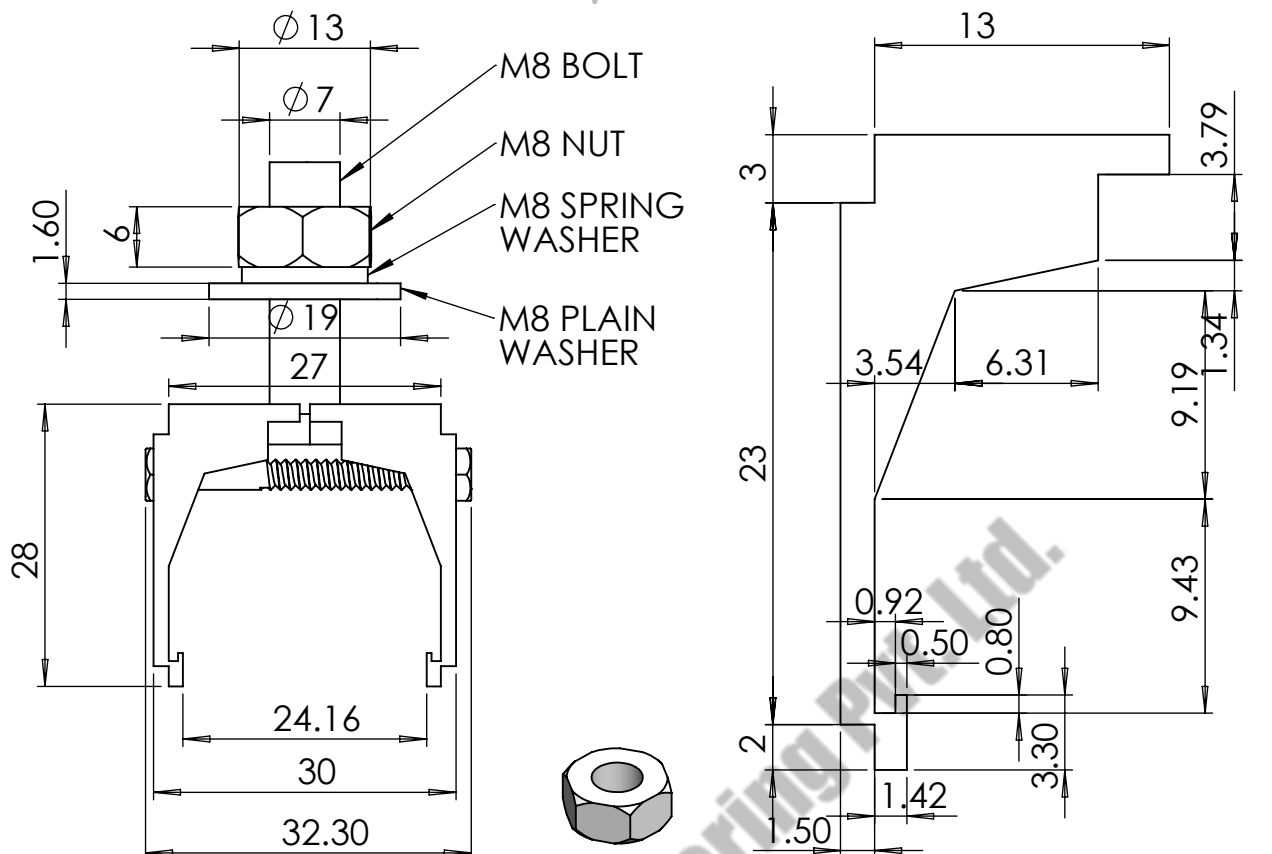
SHEET: 1 OF 1

4


3

2

1



Anand Systems Engineering Pvt Ltd

COMPANY NAME:		DO NOT SCALE DRAWING.		REVISION:																	
		ANAND SYSTEM ENGINEERING PVT LTD		TITLE: <b>ANCHOR CLAMP ASSEMBLY W TYPE 2D</b>																	
Email id: info@anandcontrol.in		FINISH:		DWG NO. <b>28X30X20</b>																	
CONTACT NO: 9137620579				DATE: _____ SIGNATURE: _____																	
<table border="1"> <tr><td>DRAWN</td><td>SAURABH</td><td></td><td></td></tr> <tr><td>CHK'D</td><td></td><td></td><td></td></tr> <tr><td>APP'D</td><td></td><td></td><td></td></tr> <tr><td>MFG</td><td></td><td></td><td></td></tr> </table>	DRAWN	SAURABH			CHK'D				APP'D				MFG					MATERIAL:			A
DRAWN	SAURABH																				
CHK'D																					
APP'D																					
MFG																					
		WEIGHT:		SCALE:	SHEET: 1 OF 1																

4

3

2

1

F

F

E

E

D

D

C

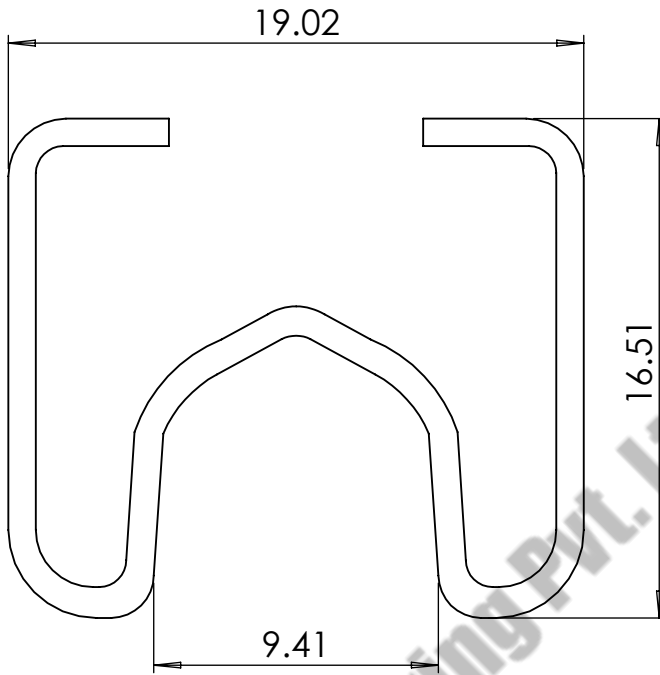
C

B

B

A

A



Anand Systems Engineering Pvt. Ltd.

COMPANY NAME:



**ANAND SYSTEM  
ENGINEERING PVT LTD**

DO NOT SCALE DRAWING.

REVISION:

TITLE:

**AL-CU W TYPE  
DSL 2D**

Email id: info@anandcontrol.in

CONTACT NO: 9137620579

FINISH:

DWG NO.

DATE:

SIGNATURE:

DRAWN	SAURABH
CHK'D	
APP'D	
MFG	

MATERIAL:

WEIGHT:

SCALE:

SHEET: 1 OF 1

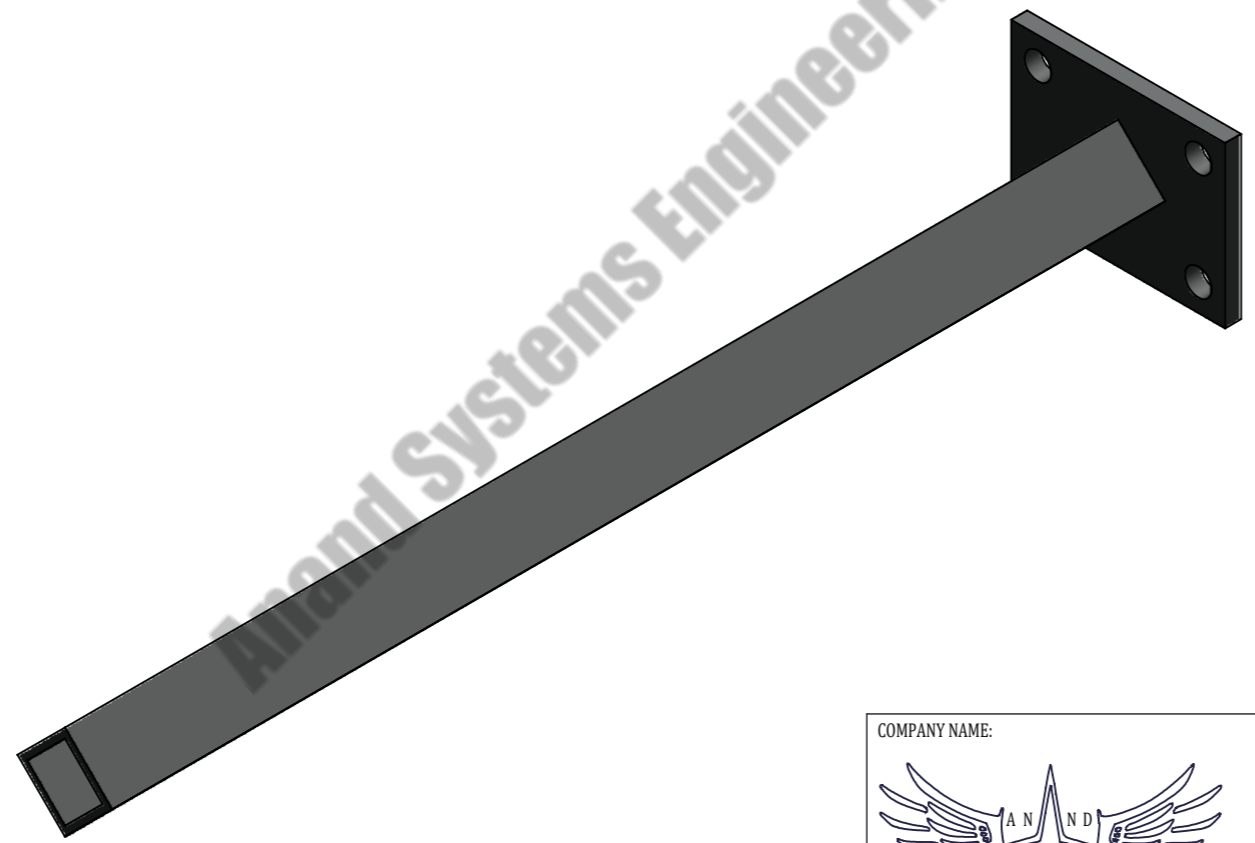
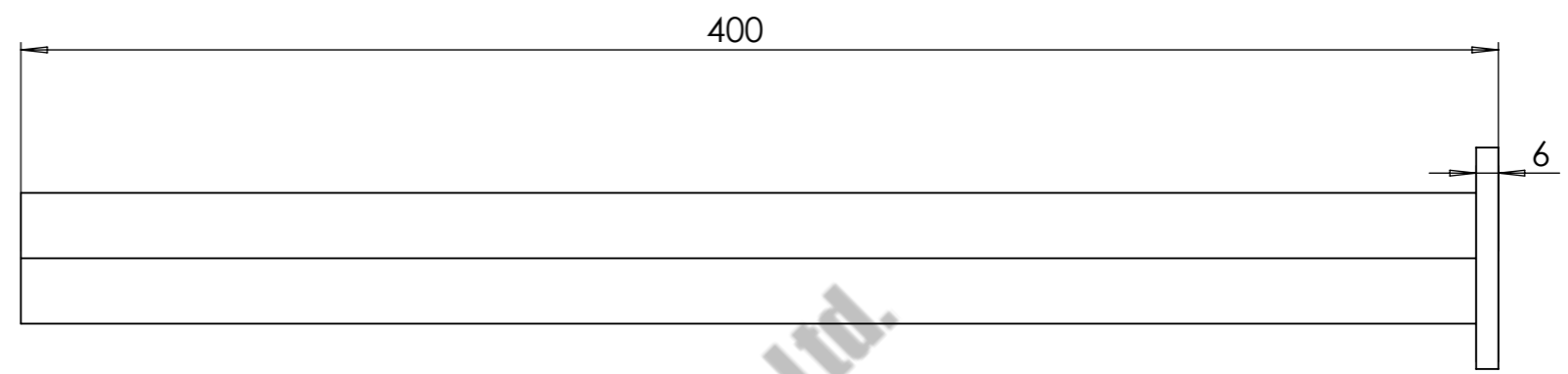
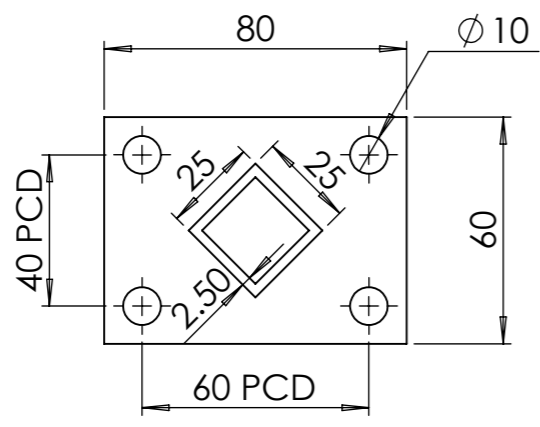
4

3


2

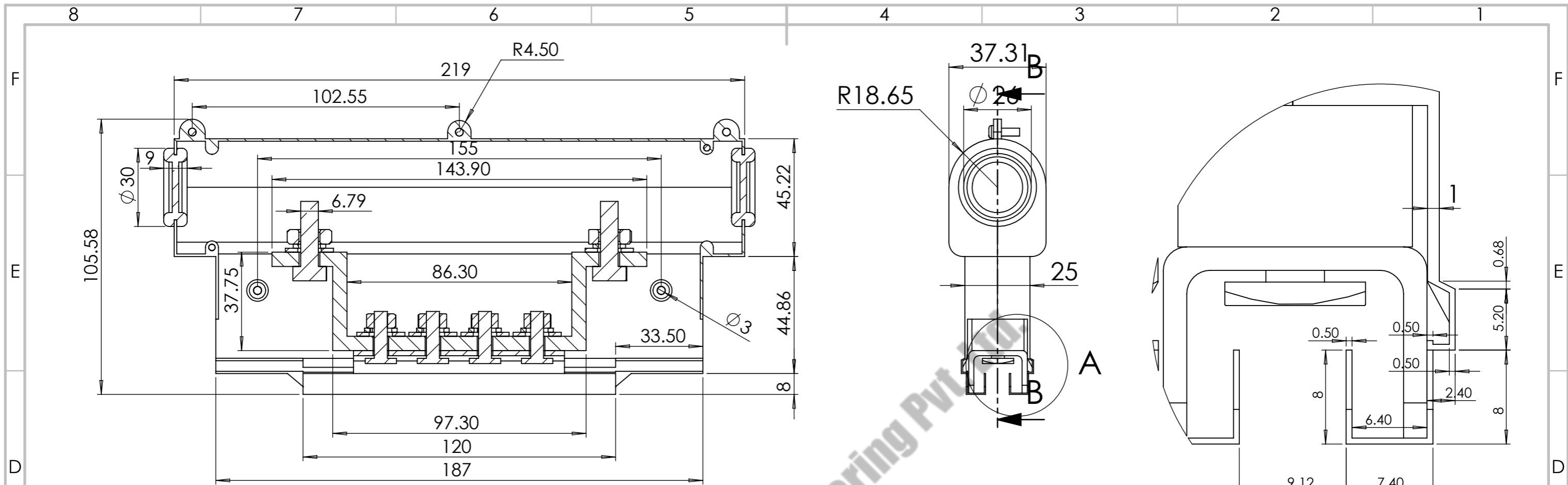
1





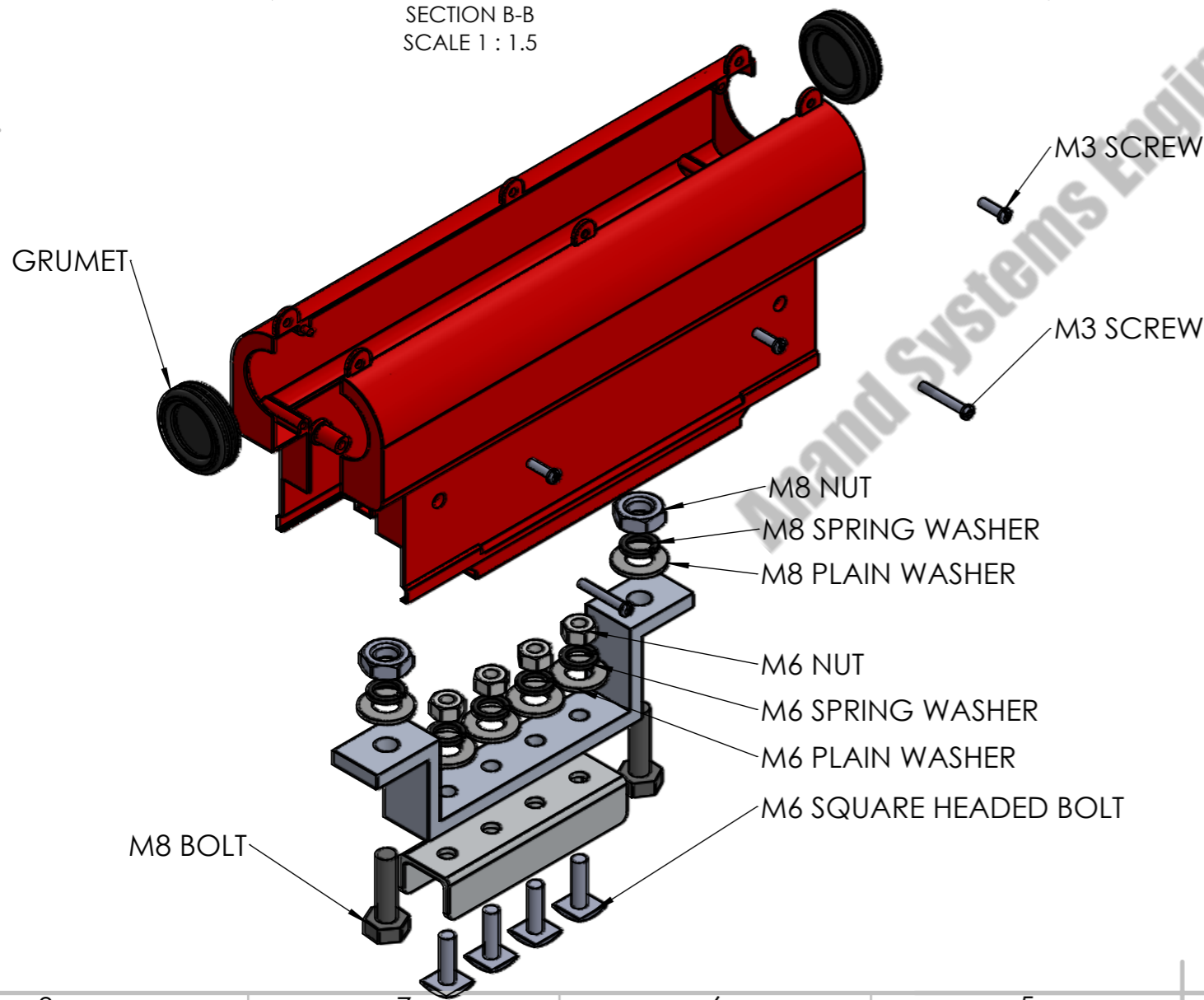
Anand Systems Engineering Pvt. Ltd.


COMPANY NAME:		ANAND SYSTEM ENGINEERING PVT LTD		DO NOT SCALE DRAWING.	REVISION:
		Email id: info@anandcontrol.in CONTACT NO: 9137620579		TITLE: <h2 style="text-align: center;">C.C-Bracket 100 AMP</h2>	
FINISH:		MATERIAL:		DWG NO.	
DATE:		SIGNATURE:		A	
DRAWN	SAURABH			SCALE:	
CHK'D				SHEET: 1 OF 1	
APP'VD					
MFG					



SECTION B-B  
SCALE 1 : 1.5

DETAIL A  
SCALE 3 : 1



COMPANY NAME:		ANAND SYSTEM ENGINEERING PVT LTD		DO NOT SCALE DRAWING:	REVISION:
		Email id: info@anandcontrol.in CONTACT NO: 9137620579		TITLE: <b>CENTER POWERFEED ASSEMBLY W-TYPE 2D</b>	
FINISH:		MATERIAL:		DWG NO: <b>219X105.6X37</b>	
DATE:	SIGNATURE:	WEIGHT:		SCALE:	
DRAWN: SAURABH				SHEET: 1 OF 1	
CHK'D:				A	
APP'D:					
MFG:					

4

3

2

1

F

F

E

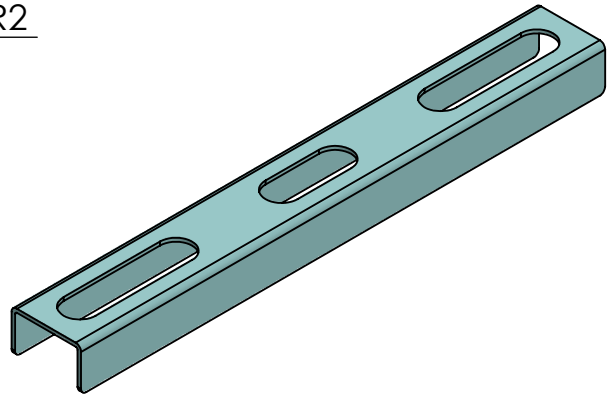
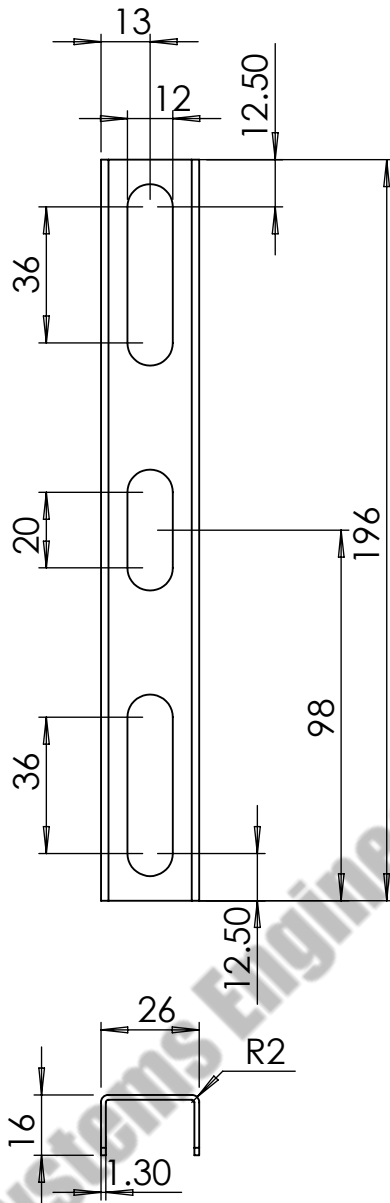
E

D

D

C

C



Anand Systems Engineering Pvt. Ltd.

B

B

COMPANY NAME:



**ANAND SYSTEM  
ENGINEERING PVT LTD**

DO NOT SCALE DRAWING.

REVISION:

TITLE:

**CLAMP  
EXPANSION  
W-TYPE 2D**

DWG NO.

A

A

Email id: info@anandcontrol.in

CONTACT NO: 9137620579

FINISH:

DATE:

SIGNATURE:

A

A

DRAWN	SAURABH
CHK'D	
APP'D	
MFG	

MATERIAL:

WEIGHT:

SCALE:

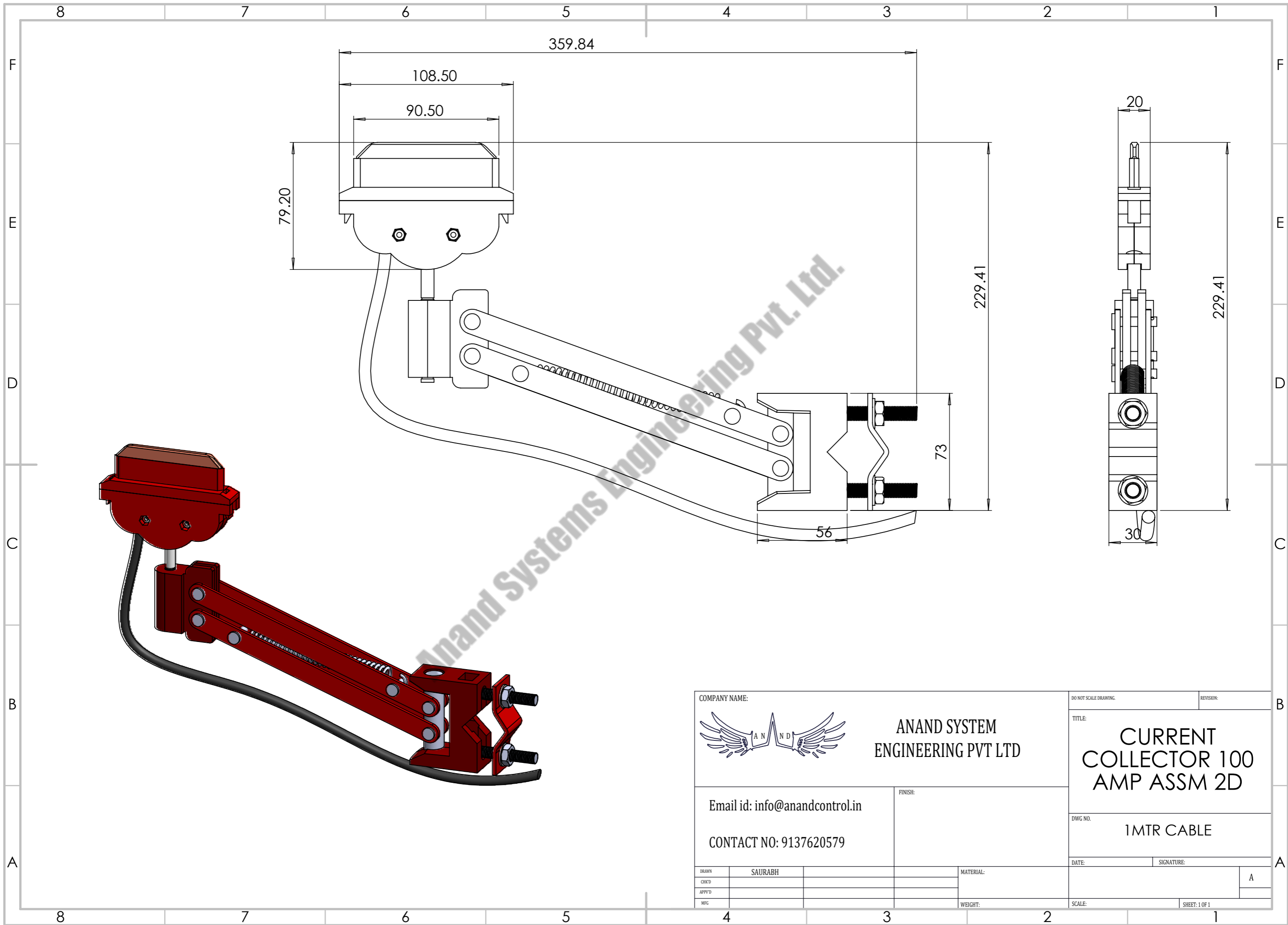
SHEET: 1 OF 1


4

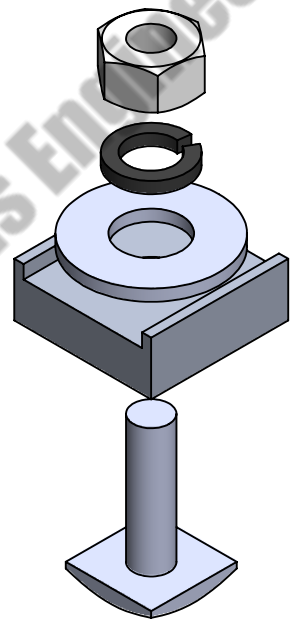
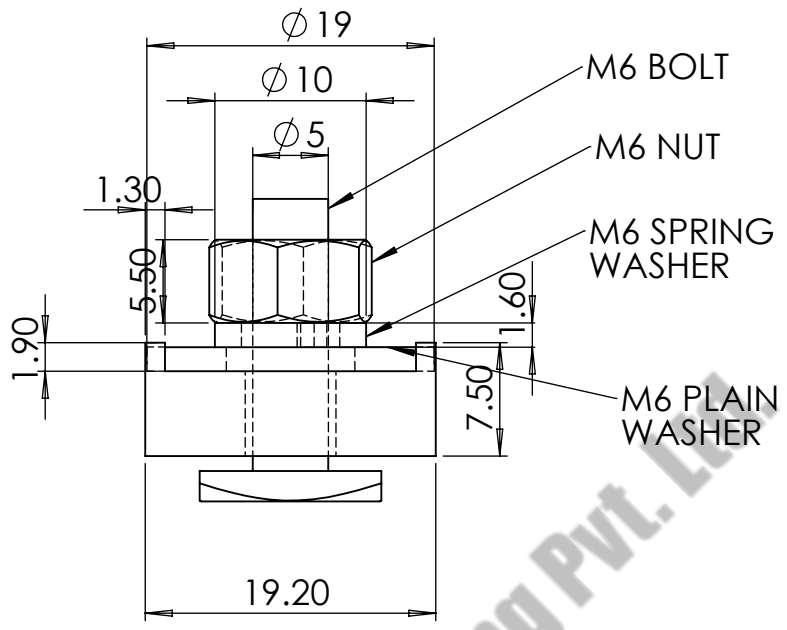
3

2

1



COMPANY NAME:		ANAND SYSTEM ENGINEERING PVT LTD		DO NOT SCALE DRAWING.	REVISION:
		<p>Email id: info@anandcontrol.in</p> <p>CONTACT NO: 9137620579</p>		<p>TITLE:</p> <p><b>CURRENT COLLECTOR 100 AMP ASSM 2D</b></p>	
FINISH:		MATERIAL:		DWG NO.	
DATE:		SIGNATURE:		1MTR CABLE	
DRAWN	SAURABH			A	
CHK'D					
APPY'D					
MFG					
WEIGHT:		SCALE:		SHEET: 1 OF 1	



COMPANY NAME:



**ANAND SYSTEM  
ENGINEERING PVT LTD**

DO NOT SCALE DRAWING.

REVISION:

TITLE:

**END CLAMP  
ASSEMBLY W  
TYPE 2D**

Email id: info@anandcontrol.in

CONTACT NO: 9137620579

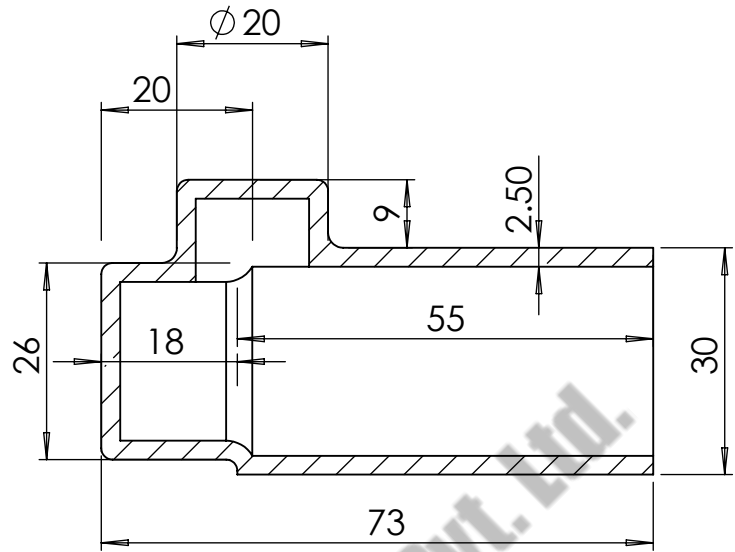
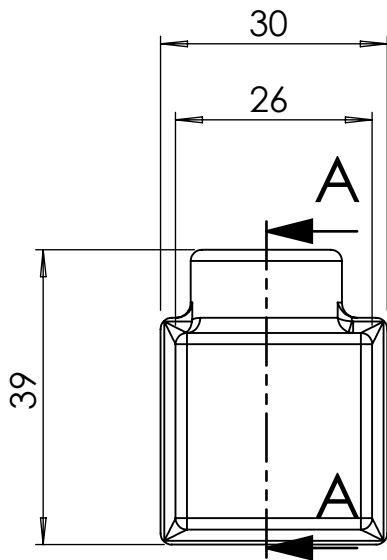
FINISH:

DWG NO.

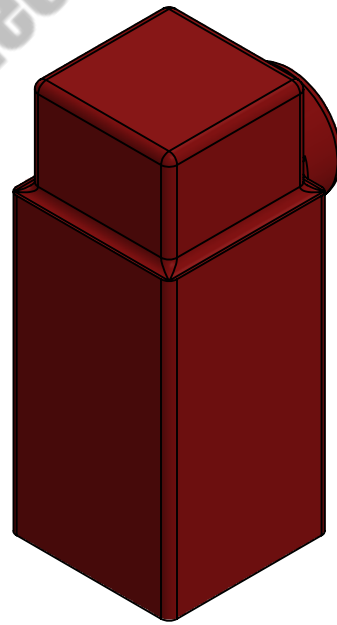
DATE:

SIGNATURE:

DRAWN	SAURABH		MATERIAL:				
CHK'D							A
APP'D							
MFG			WEIGHT:		SCALE:		SHEET: 1 OF 1



SECTION A-A



Anand Systems Engineering Pvt. Ltd.

COMPANY NAME:



ANAND SYSTEM  
ENGINEERING PVT LTD

DO NOT SCALE DRAWING.

REVISION:

TITLE:

END COVER  
W TYPE 2D

Email id: info@anandcontrol.in

CONTACT NO: 9137620579

FINISH:

DWG NO.

DATE:

SIGNATURE:

DRAWN	SAURABH
CHK'D	
APP'D	
MFG	

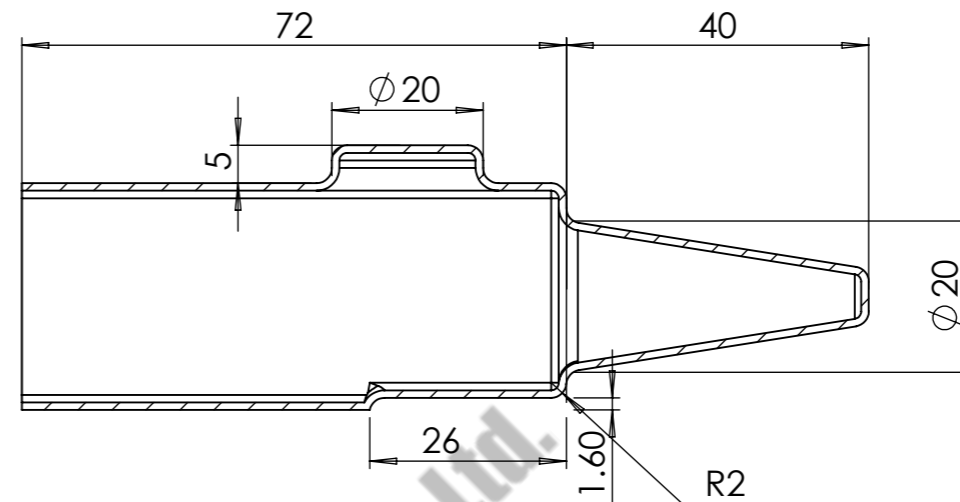
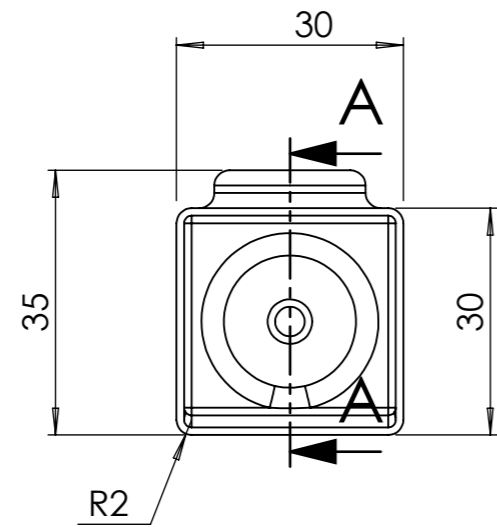
MATERIAL:

WEIGHT:

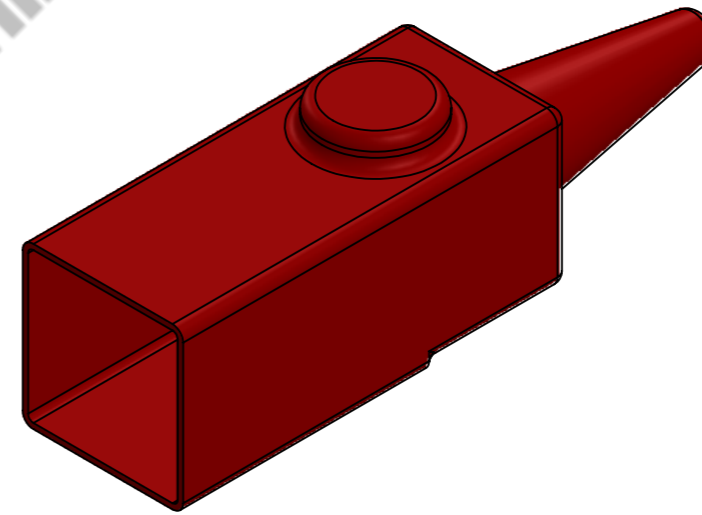
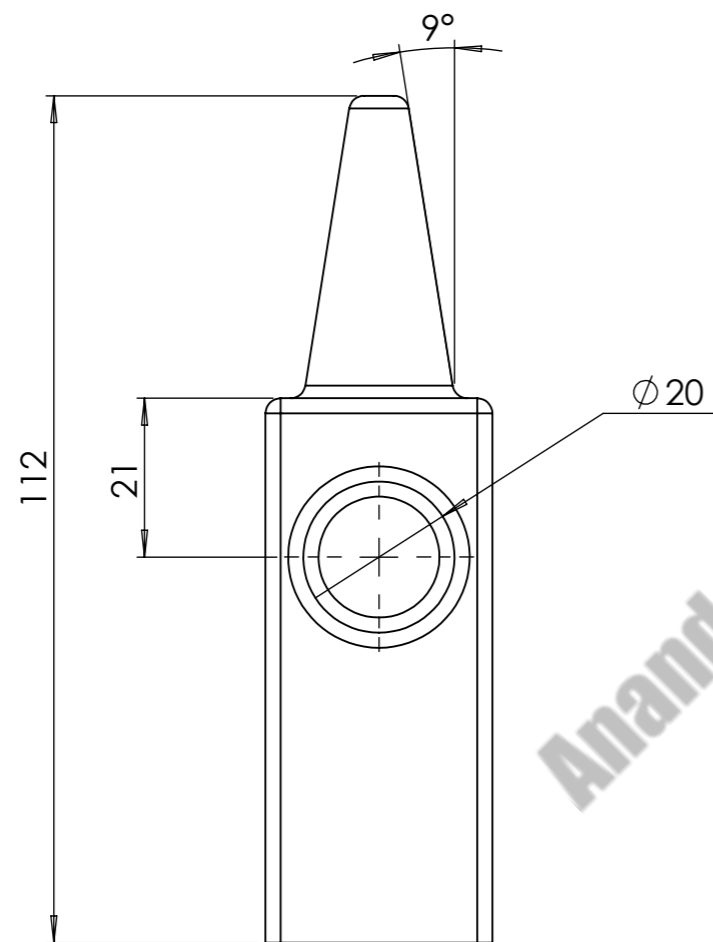
SCALE:

SHEET: 1 OF 1

A



SECTION A-A



Anand Systems Engineering Pvt. Ltd.

COMPANY NAME:



**ANAND SYSTEM  
ENGINEERING PVT LTD**

Email id: [info@anandcontrol.in](mailto:info@anandcontrol.in)

CONTACT NO: 9137620579

FINISH:

DO NOT SCALE DRAWING.

REVISION:

TITLE:

**END POWER FEED  
W-TYPE 2D**

DWG NO.

DATE:

SIGNATURE:

DRAWN	SAURABH		
CHK'D			
APPV'D			
MFG			

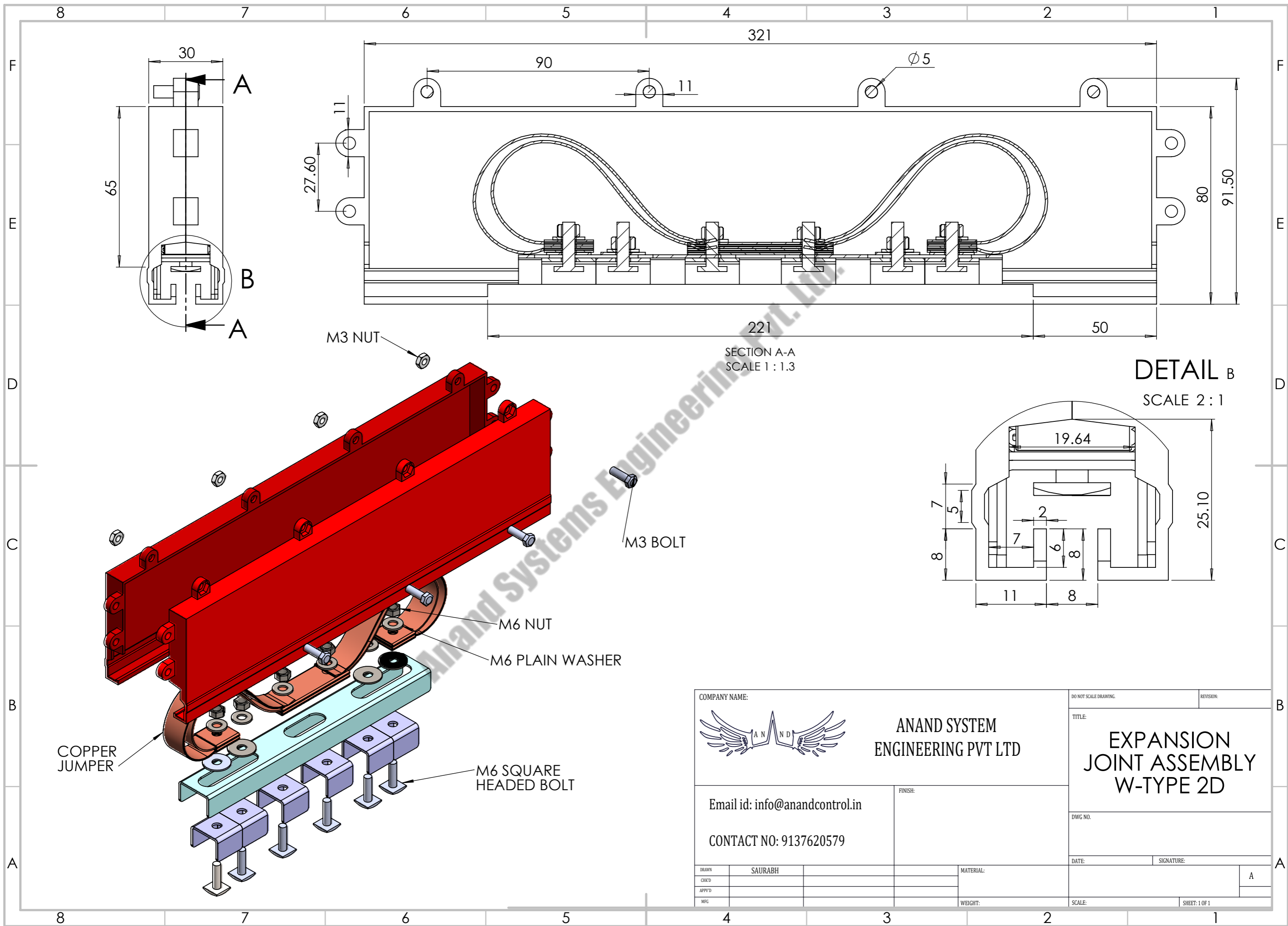
MATERIAL:

WEIGHT:

SCALE:

SHEET: 1 OF 1

A



SECTION A-A  
SCALE 1 : 1.3

DETAIL B  
SCALE 2 : 1

COPPER JUMPER

M3 NUT

M3 BOLT

M6 NUT

M6 PLAIN WASHER

M6 SQUARE HEADED BOLT

COMPANY NAME:



ANAND SYSTEM  
ENGINEERING PVT LTD

Email id: info@anandcontrol.in

CONTACT NO: 9137620579

FINISH:

DO NOT SCALE DRAWING.

REVISION:

TITLE:

EXPANSION  
JOINT ASSEMBLY  
W-TYPE 2D

DWG NO.

DATE:

SIGNATURE:

DRAWN

SAURABH

CHK'D

APPY'D

MFG

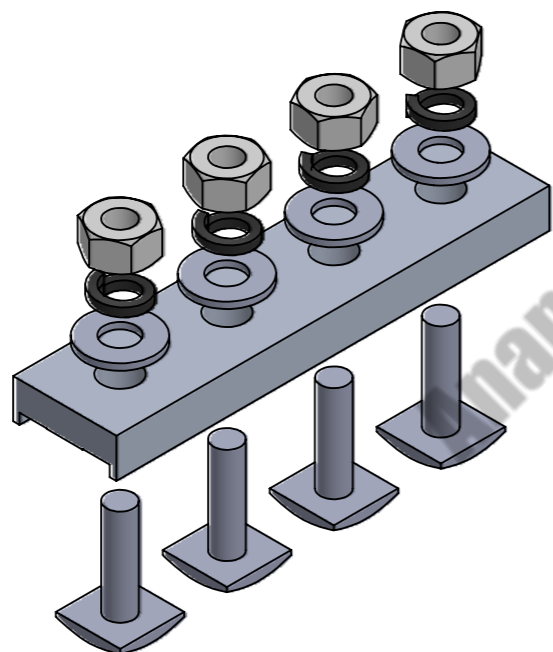
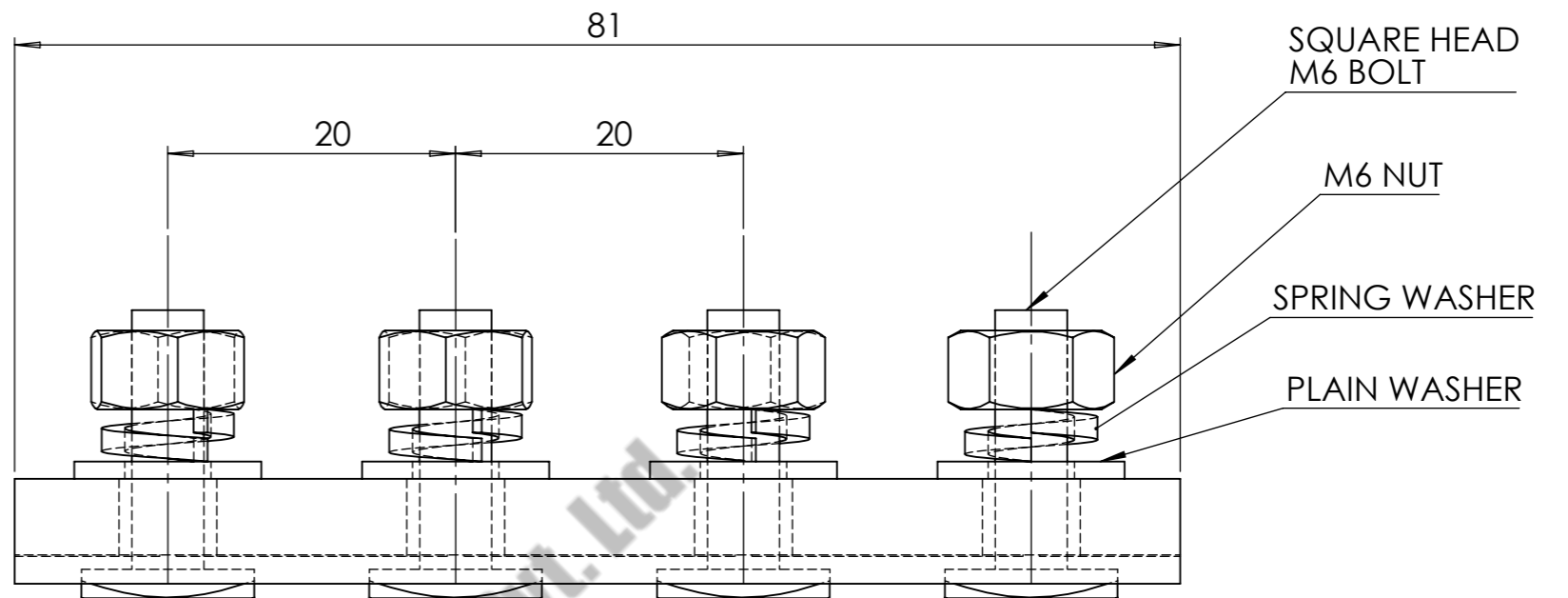
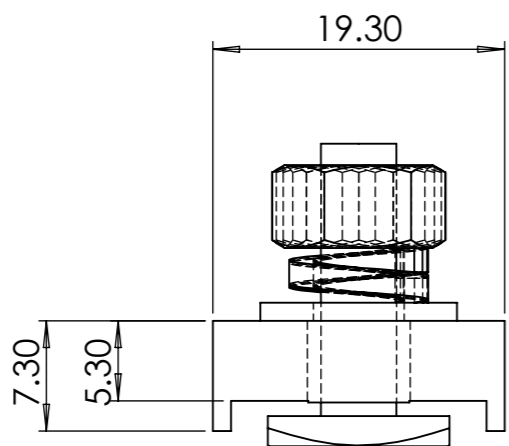
MATERIAL:


WEIGHT:

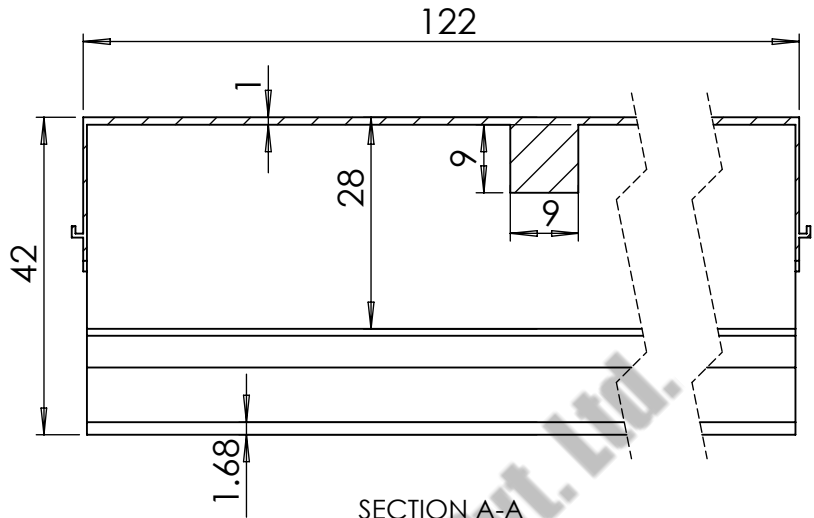
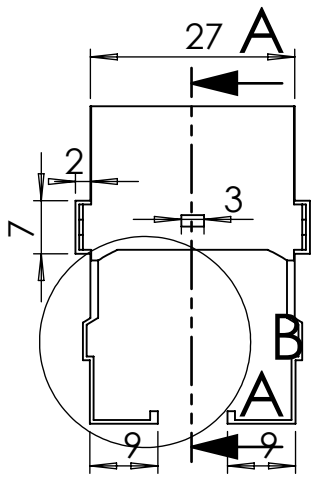
SCALE:

SHEET: 1 OF 1

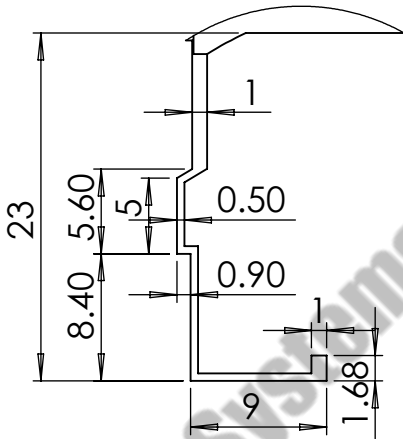




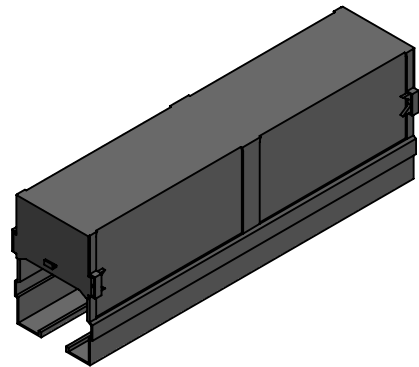
COMPANY NAME:		ANAND SYSTEM ENGINEERING PVT LTD		DO NOT SCALE DRAWING.	REVISION:
		<p>Email id: info@anandcontrol.in</p> <p>CONTACT NO: 9137620579</p>		<p>TITLE:</p> <p><b>JOINT CLAMP ASSEMBLY W TYPE 2D ALU 1</b></p>	
FINISH:		MATERIAL:		DWG NO.	
DATE:		SIGNATURE:		A	
DRAWN	SAURABH			SCALE:	
CHK'D				SHEET: 1 OF 1	
APPY'D					
MFG					




SECTION A-A  
SCALE 1 : 1

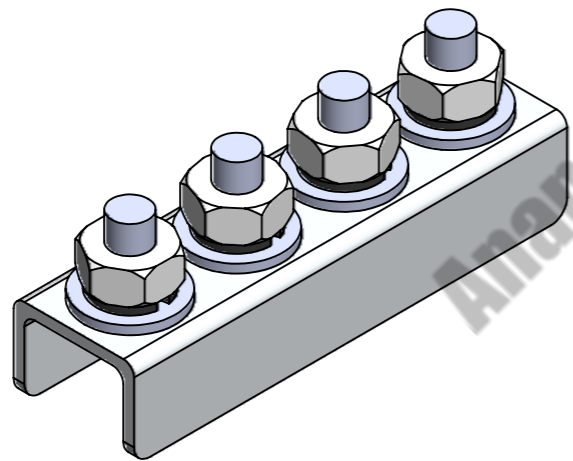
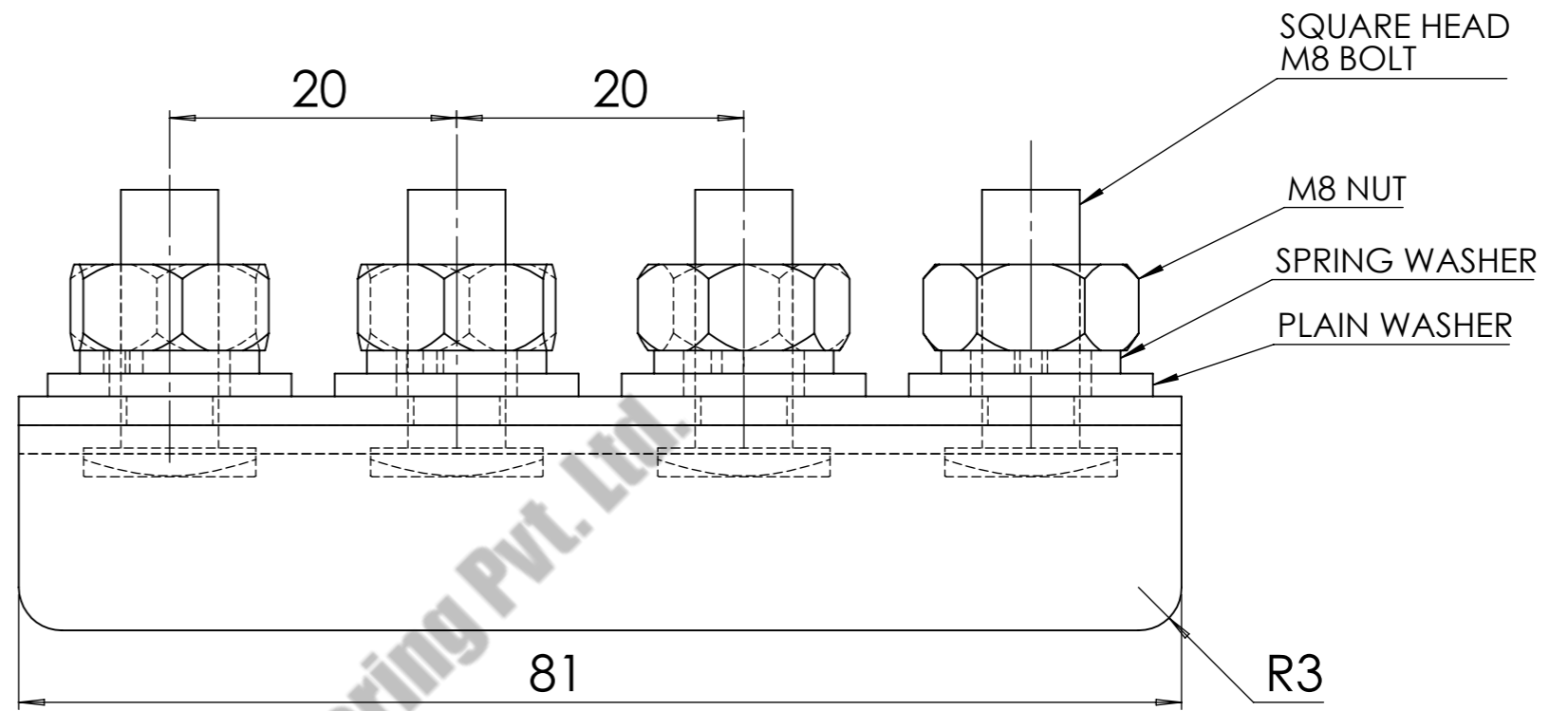
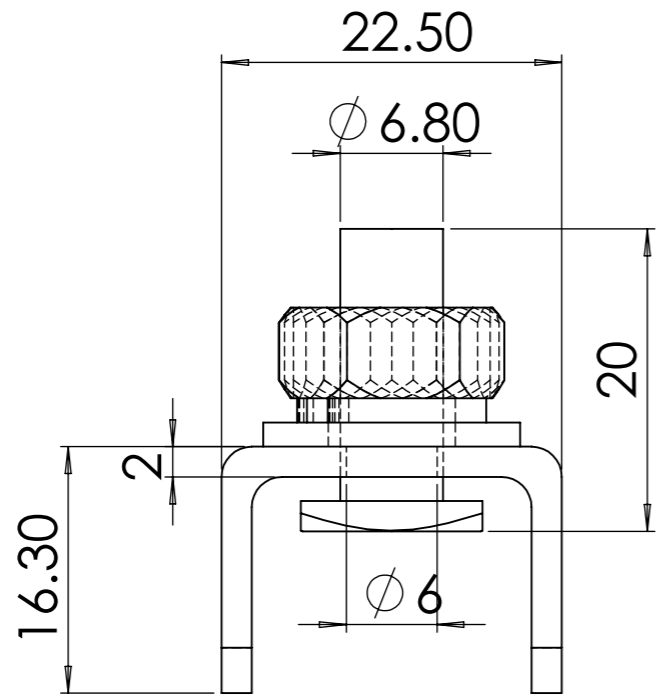



DETAIL B  
SCALE 2 : 1

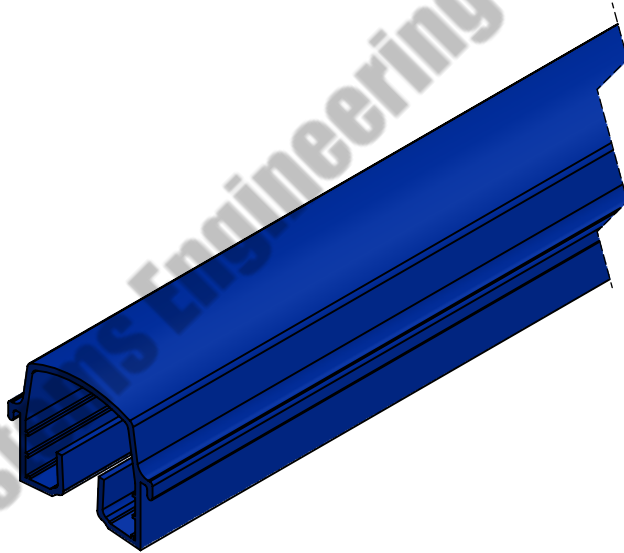
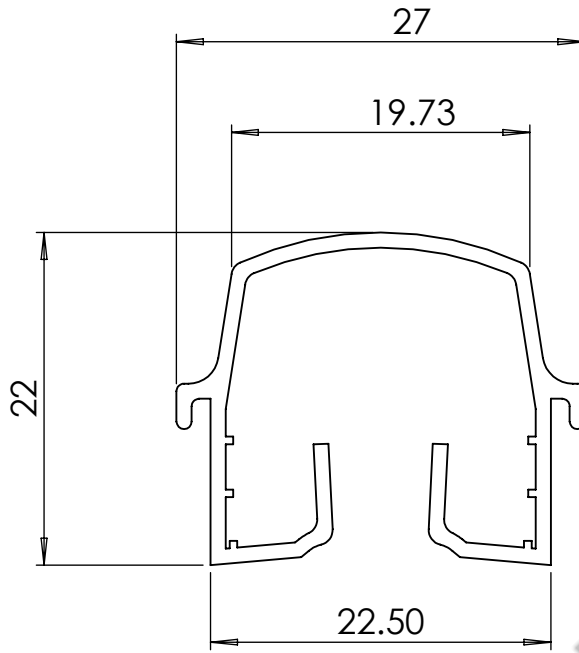


Anand Systems Engineering Pvt. Ltd.


COMPANY NAME:		DO NOT SCALE DRAWING.	REVISION:																
 <b>ANAND SYSTEM ENGINEERING PVT LTD</b>		TITLE: <h1 style="margin: 0;">JOINT COVER W-TYPE 2D</h1>																	
Email id: info@anandcontrol.in		DWG NO.																	
CONTACT NO: 9137620579		DATE:																	
FINISH:		SIGNATURE:																	
<table border="1" style="width: 100%; border-collapse: collapse;"> <tr><td style="width: 20%;">DRAWN</td><td style="width: 30%;">SAURABH</td><td style="width: 20%;">MATERIAL:</td><td style="width: 30%;"></td></tr> <tr><td>CHK'D</td><td></td><td></td><td></td></tr> <tr><td>APP'D</td><td></td><td></td><td></td></tr> <tr><td>MFG</td><td></td><td></td><td></td></tr> </table>	DRAWN	SAURABH	MATERIAL:		CHK'D				APP'D				MFG				WEIGHT:	SCALE:	A
DRAWN	SAURABH	MATERIAL:																	
CHK'D																			
APP'D																			
MFG																			
		SCALE:	SHEET: 1 OF 1																

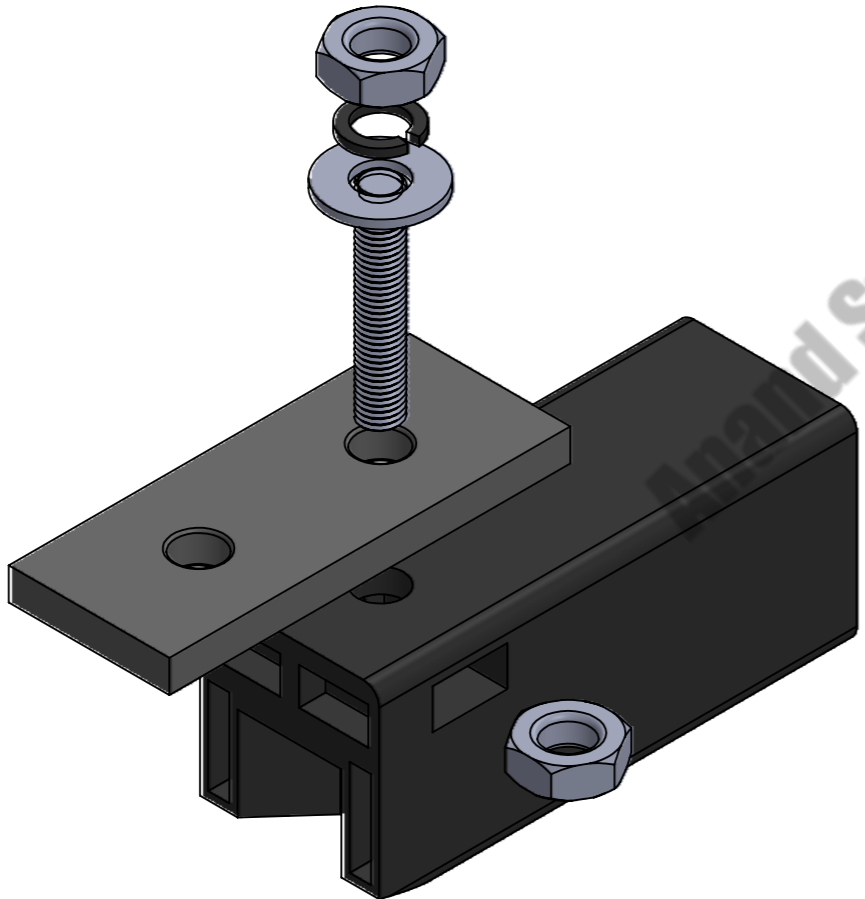
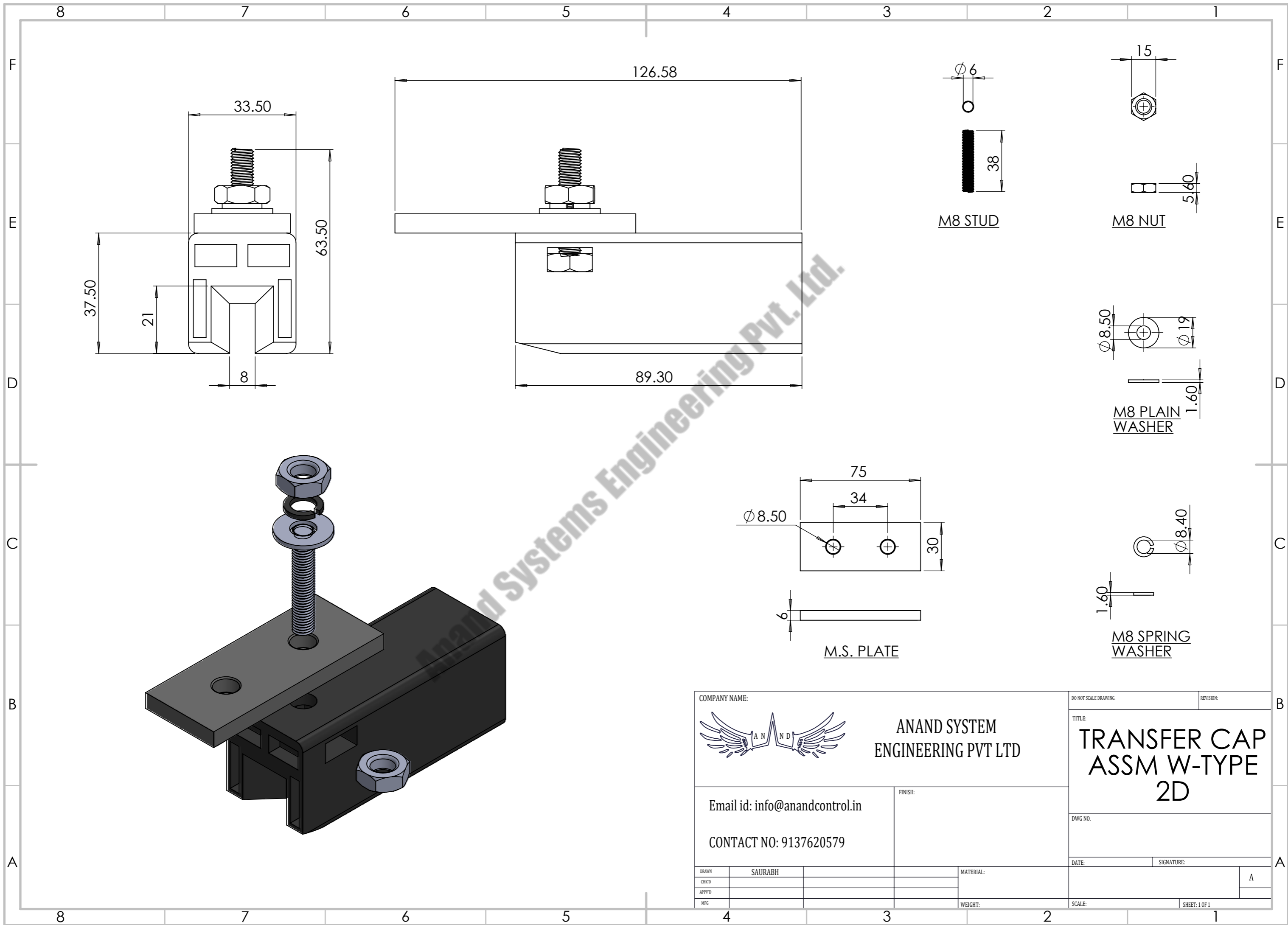



COMPANY NAME:		ANAND SYSTEM ENGINEERING PVT LTD		DO NOT SCALE DRAWING.	REVISION:
		Email id: info@anandcontrol.in CONTACT NO: 9137620579		TITLE:	
				POWER FEED CLAMP ASSEMBLY W TYPE 2D ALU	
DRAWN: SAURABH		FINISH:		DWG NO.	
CHK'D:		MATERIAL:		DATE:	
APPY'D:		WEIGHT:		SIGNATURE:	
MFG:		SCALE:		SHEET: 1 OF 1	

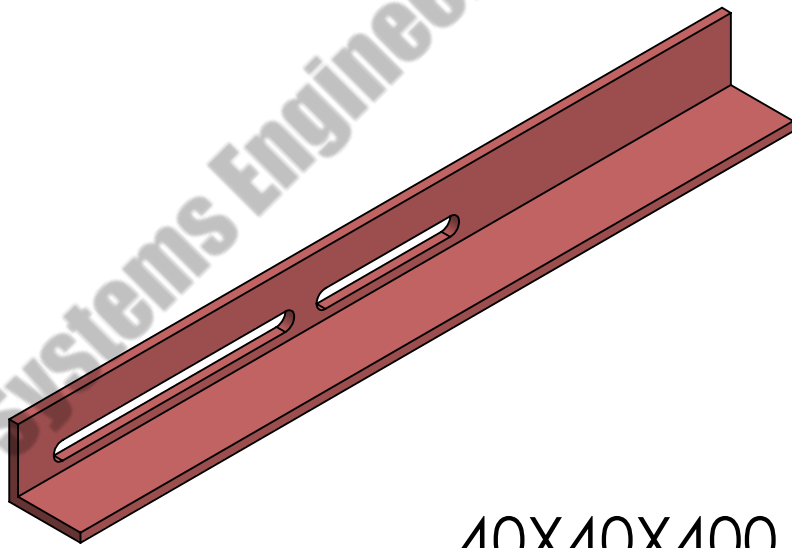
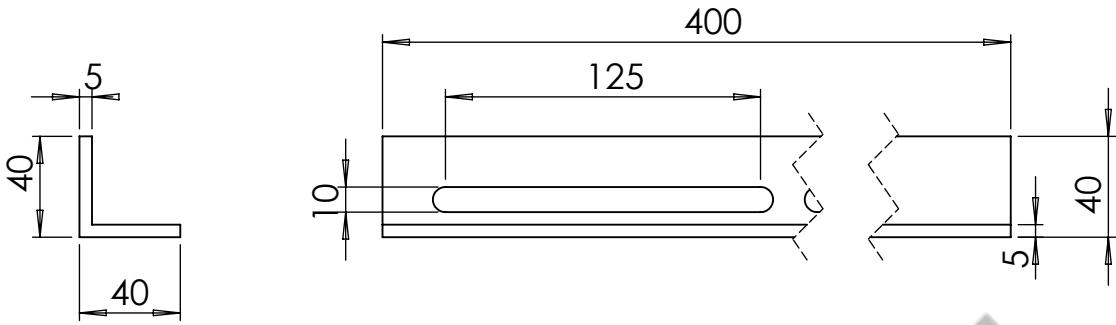


Anand System Engineering Pvt. Ltd.

COMPANY NAME:		DO NOT SCALE DRAWING:		REVISION:	
		ANAND SYSTEM ENGINEERING PVT LTD		TITLE: <b>SLEEVE W TYPE 2D</b>	
Email id: info@anandcontrol.in		FINISH:		DWG NO.:	
CONTACT NO: 9137620579				DATE:	
DRAWN: SAURABH		MATERIAL:		SIGNATURE:	
CHK'D:				A	
APP'D:					
MFG:		WEIGHT:		SCALE:	
				SHEET: 1 OF 1	




COMPANY NAME:		ANAND SYSTEM ENGINEERING PVT LTD		DO NOT SCALE DRAWING.	REVISION:
		Email id: info@anandcontrol.in CONTACT NO: 9137620579		TITLE: <b>TRANSFER CAP ASSM W-TYPE 2D</b>	
FINISH:		MATERIAL:		DWG NO.	
DRAWN: SAURABH		MFG:		DATE:	
CHK'D:		WEIGHT:		SIGNATURE:	
APPYD:		SCALE:		SHEET: 1 OF 1	
MFG:		SHEET: 1 OF 1		A	



Anand Systems Engineering Pvt. Ltd.

40X40X400, THK-5  
MM

COMPANY NAME:		DO NOT SCALE DRAWING:		REVISION:	
 <p>ANAND SYSTEM ENGINEERING PVT LTD</p>		TITLE:			
Email id: info@anandcontrol.in		Web-Bracket 400 W TYPE 2D			
CONTACT NO: 9137620579		DWG NO.			
FINISH:		DATE:		SIGNATURE:	
DRAWN	SAURABH	MATERIAL:		A	
CHK'D		WEIGHT:		SCALE:	
APP'D		SCALE:		SHEET: 1 OF 1	
MFG					