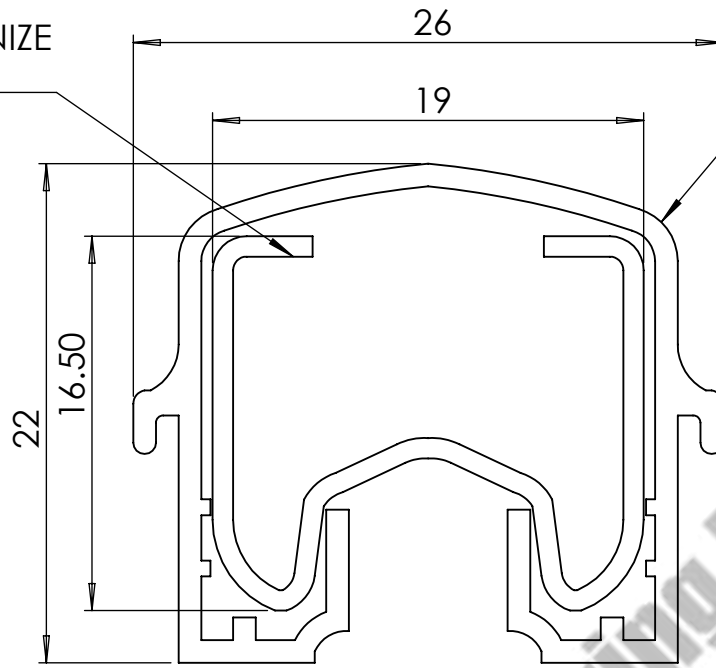
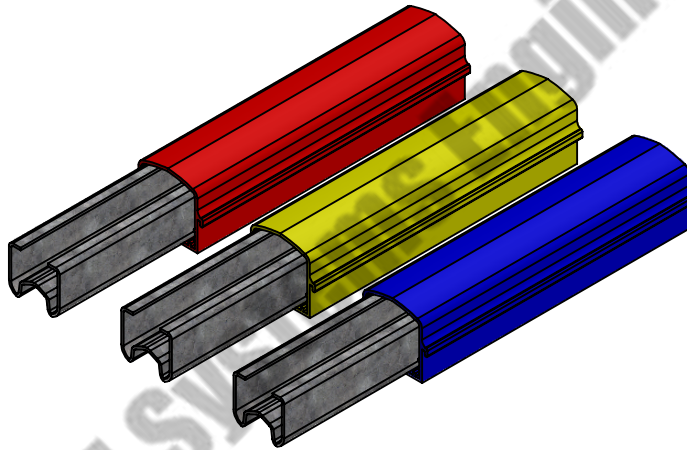


GALVENIZE  
STEEL



PVC SLEEVE



125AMP- GI- 03BAR  
BOLTED(W) TYPE  
RED YELLOW BLUE COLOUR  
PVC

COMPANY NAME:



ANAND SYSTEM  
ENGINEERING PVT LTD

DO NOT SCALE DRAWING.

REVISION:

TITLE:

Safelink W  
125Amp GI RYB  
2D

Email id: info@anandcontrol.in

CONTACT NO: 9137620579

FINISH:

DWG NO.

DATE:

SIGNATURE:

DRAWN	SAURABH
CHK'D	
APP'D	
MFG	

MATERIAL:

WEIGHT:

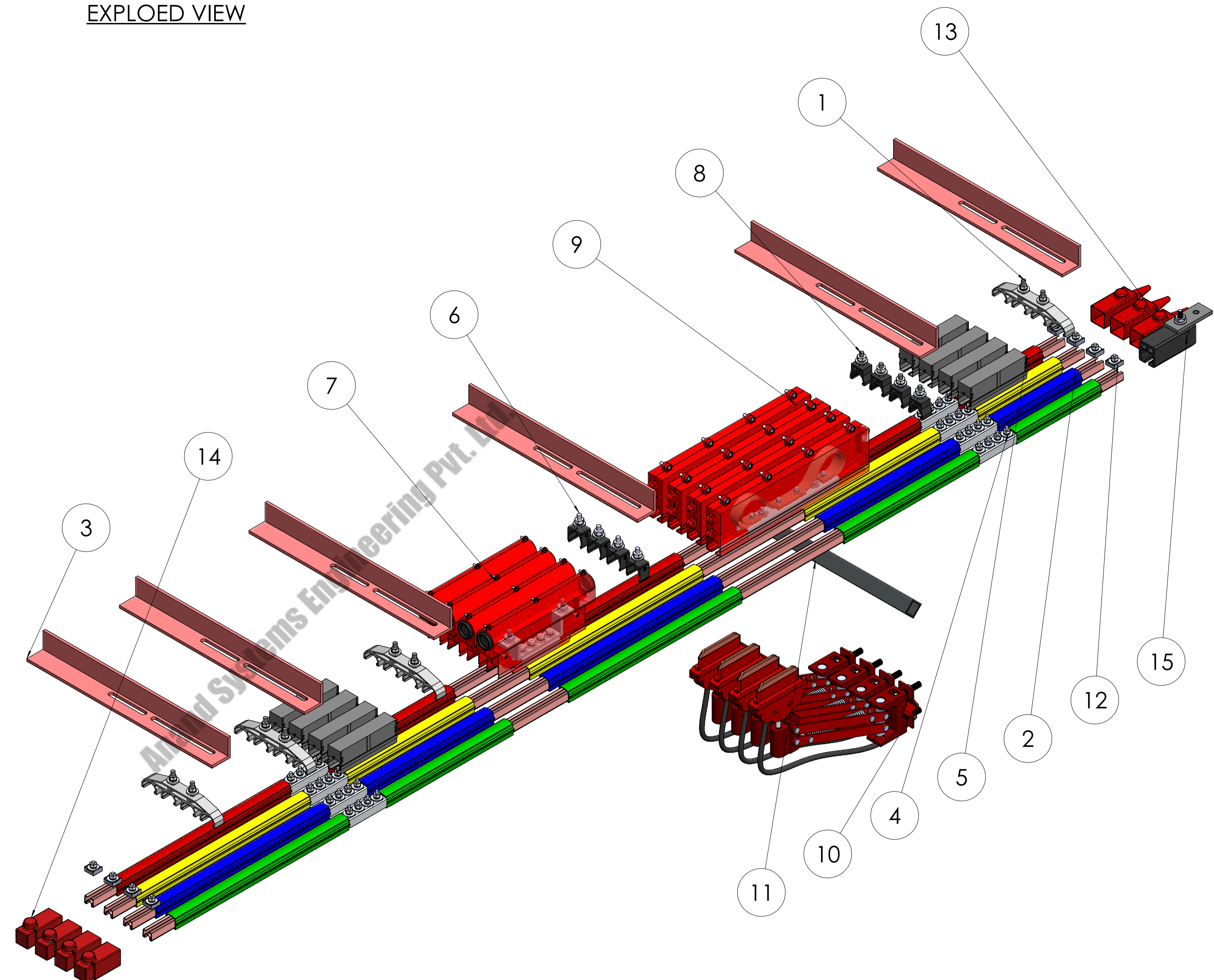
SCALE:

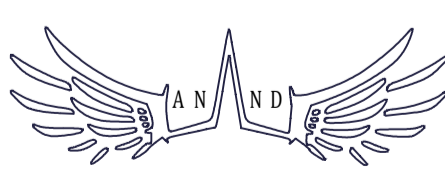
SHEET: 1 OF 1

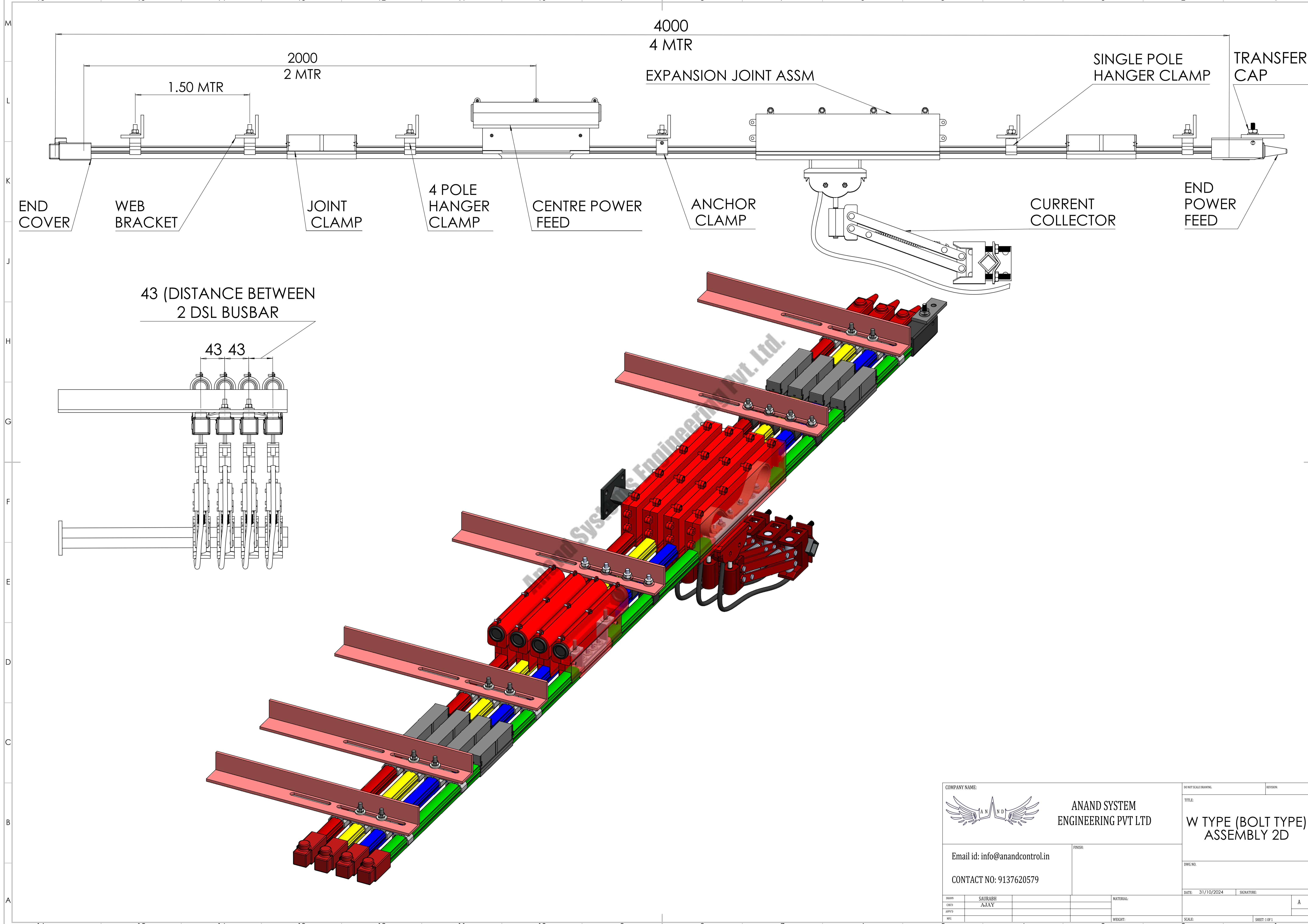
A

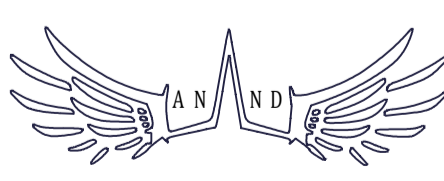
ITEM NO.	PART NAME	DESCRIPTION	MATERIAL	QTY.
1	<b>4 POLE HANGER CLAMP W TYPE.ASSEMBLY</b>	158X29X20	DELTRIN	4
	4 POLE HANGER CLAMP CC	158X29X20	DELTRIN	1
	HEX BOLT	M8, 8X20, END COVER FIXING	M.S.	2
	PLAIN WASHER	19X8.5X1.5	M.S.	2
	HEX NUT	M6	M.S.	2
2	SPRING WASHER	M8	SPRING STEEL 4454 GRADE-02	2
	<b>BUSBAR ASSEMBLY W TYPE</b>	40X40X400, THK-5 MM		4
	AL-W-type	4500X19X16.5	ALUMINIUM	1
	SLEEVE W TYPE	4415X26X22	PVC	1
	<b>Web-Bracket W TYPE</b>	35X35, THK-5 MM	M.S.	6
3	<b>JOINT CLAMP ASSEMBLY W TYPE</b>	70X28X40	G.I	8
	HEX NUT	M6	M.S.	4
	PLAIN WASHER	M8	M.S.	4
	POWERFEED CLAMP W-TYPE	16.3X22X81	ALUMINIUM	1
	SPRING WASHER M6 W TYPE	M6	SPRING STEEL 4454 GRADE-02	4
4	SQUARE HEAD BOLT W- TYPE	18XM6	M.S.	4
	<b>JOINT COVER W-TYPE</b>	42X26X102	DELTRIN	8
	<b>ANCHOR CLAMP ASSEMBLY W TYPW</b>	28X30X20	DELTRIN	4
	ANCHOR CLAMP W TYPE		DELTRIN	2
	HEX_BOLT	M8X25	M.S.	1
5	HEX NUT	M8	M.S.	1
	PLAIN WASHER	M8	M.S.	1
	SPRING WASHER	M8	SPRING STEEL 4454 GRADE-02	1
	HEX BOLT	M5X35	M.S.	1
	LOCK NUT	M5	M.S.	1
6	<b>CENTER POWERFEED ASSEMBLY W-TYPE</b>	219X105.6X37		4
	CENTER POWERFEED W-TYPE-1		DELTRIN	2
	NUT	M8	M.S.	2
	PAN HEADED SCREW	SELF THREAD SCREW	M.S.	3
	PAN HEADED SCREW	SELF THREAD SCREW	M.S.	2
7	PLAIN WASHER W TYPE	18.5X9X1.5	M.S.	6
	POWER FEED ALU BRACKET	144X37X5.5	ALUMINIUM	1
	GRUMET	Ø 30	RUBBER	2
	POWERFEED CLAMP W-TYPE	16.3X22X81	ALUMINIUM	1
	SPRING WASHER	M8	SPRING STEEL 4454 GRADE-02	6
8	SQUARE HEAD BOLT W- TYPE	18XM6	M.S.	4
	HEX BOLT	M8, 8X20	M.S.	2
	HEX NUT	M6	M.S.	4
	<b>SINGLE POLE HANGER CLAMP W-TYPE ASSM</b>	28X37X19.3		4
	SINGLE POLE HANGER CLAMP W-TYPE			1
9	HEX BOLT	M8, 8X20	M.S.	1
	HEX NUT	M8	M.S.	1
	PLAIN WASHER	M8	M.S.	1
	SPRING WASHER	M8	SPRING STEEL 4454 GRADE-02	1
	<b>EXPANSION JOINT ASSEMBLY W-TYPE</b>	321X80X30		4
10	CLAMP EXPANSION W-TYPE			1
	END CLAM EXPANSION	16.5X23.5X22	G.I	6
	DSL_NEW-1	DSL BUSBAR WITH SLEEVE		1
	WASHER-1	18X8X1.5	M.S.	1
	COPPER SLEEVE	20X20	COPPER	4
11	COPPER SLEEVE 2	20X59	COPPER	2
	PLAIN WASHER	M6	M.S.	1
	NUT	M6	M.S.	1
	COPPER-FLAT-COIL 2 W-TYPE		COPPER	2
	COPPER-FLAT-COIL-1 W-TYPE		COPPER	2
12	EXPANSION JOINT COVER W-TYPW		DELTRIN	2
	SQUARE HEAD BOLT W- TYPE	18XM6	M.S.	6
	HEX BOLT	M4X10	M.S.	4
	HEX NUT	M4	M.S.	4
	<b>CURRENT COLLECTOR 100 AMP ASSM</b>	230X332		4
13	ARM 1	220X15.5X3	M.S.	4
	LOWER BRACKET	56X73X30	CASTING	1
	LOWER PIN	16X70	M.S.	1
	VERTICAL LEVER CC	50X61X24	CASTING	1
	SPACER PIN	26X Ø 6	M.S.	6
14	UPPER BRACKET	108.5X43X10	PLASTIC	2
	VERTICAL STUD	104X Ø 7	M.S.	1
	SHOE HOLDER	108.5X20X40	PLASTIC	1
	CONTACT PATTI	87X47X3	COPPER	1
	SPRING	Ø 13.5X22	SPRING STEEL 4454 GRADE-02	1
15	LOWER BRACKET CC 2	70X30X3	M.S.	1
	HEX BOLT	8X40	M.S.	2
	NUT	M8	M.S.	2
	PLAIN WASHER W TYPE	18.5X9X1.5	M.S.	2
	HEX NUT	M4	M.S.	2
16	TENSION SPRING	Ø 15X115	SPRING STEEL 4454 GRADE-02	1
	wire	105 SQ MM, 1mtr		1
	<b>C.C-Bracket 100 AMP</b>	80X60XTHK-6, SQ-25X25X400	M.S.	1
	<b>END CLAMP ASSEMBLY W TYPE</b>			8
	END CLAMP W TYPE			8
17	SQUARE HEAD BOLT W- TYPE	18XM6	M.S.	8
	HEX NUT	M6	M.S.	8
	SPRING WASHER M6 W TYPE	M6	SPRING STEEL 4454 GRADE-02	8
	PLAIN WASHER	M8	M.S.	8
	<b>END POWER FEED COVER W-TYPE</b>	112X30X35	PVC	3
18	<b>END COVER W TYPE</b>	73X39X30	PVC	4
	<b>TRANSFER CAP ASSM W-TYPE</b>			1
	HEX BOLT	M8X50	M.S.	1
	NUT	M8	M.S.	2
	PLAIN WASHER	M8	M.S.	1
19	SPRING WASHER	M8	SPRING STEEL 4454 GRADE-02	1
	TRANSFER CAP BODY W-TYPE	37.5X33.5X89.3		1
	TRANSFER CAP M.S. PLATE W-TYPE 2D.PDF	75 X36X6	M.S.	1

EXPLODED VIEW



COMPANY NAME:  <b>ANAND SYSTEM ENGINEERING PVT LTD</b>		DO NOT SCALE DRAWING TITLE: <b>W TYPE (BOLT TYPE) ASSEMBLY 2D</b>
Email id: info@anandcontrol.in CONTACT NO: 9137620579		DWG NO: DATE: SIGNATURE:
DRAWN: SAURABH CHKD: AJAY APPD: MFC:	MATERIAL: WEIGHT:	SCALE: 1:1 SHEET: 1 OF 1



COMPANY NAME:		ANAND SYSTEM ENGINEERING PVT LTD		DO NOT SCALE DRAWING	REVISION:
		Email id: info@anandcontrol.in CONTACT NO: 9137620579		TITLE: <b>W TYPE (BOLT TYPE) ASSEMBLY 2D</b>	
DATE:	31/10/2024	SIGNATURE:		DWG NO:	
SCALE:		WEIGHT:		SHEET: 1 OF 1	

4

3

2

1

F

F

E

E

D

D

C

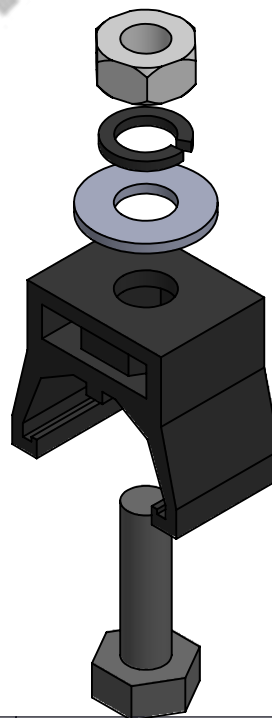
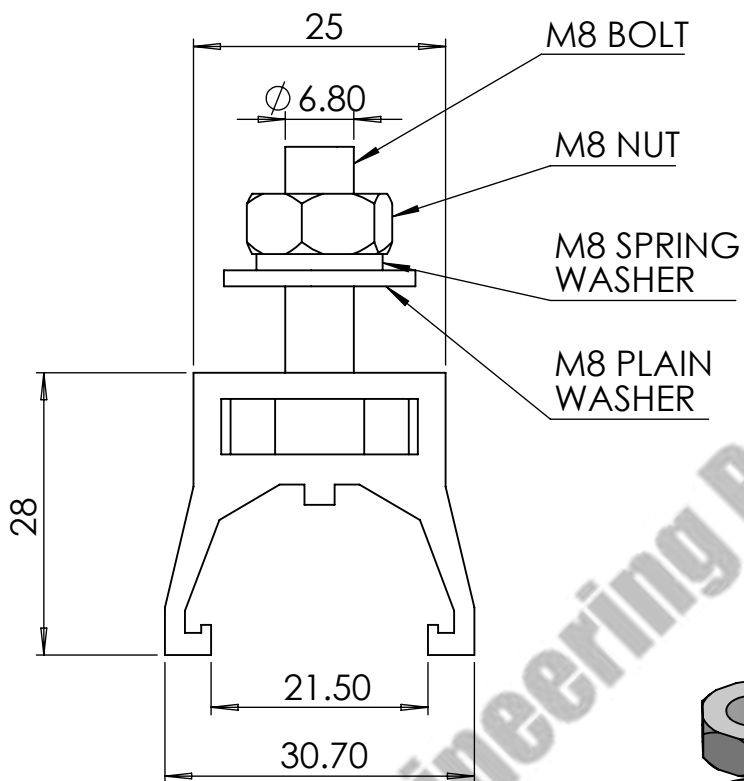
C

B

B

A

A



COMPANY NAME:



ANAND SYSTEM  
ENGINEERING PVT LTD

DO NOT SCALE DRAWING.

REVISION:

TITLE:

SINGLE POLE  
HANGER CLAMP  
W-TYPE ASSM 2D

Email id: info@anandcontrol.in

CONTACT NO: 9137620579

FINISH:

DWG NO.

DATE:

SIGNATURE:

DRAWN	SAURABH
CHK'D	
APP'D	
MFG	

MATERIAL:

WEIGHT:

SCALE:

SHEET: 1 OF 1

4

3

2

1

4

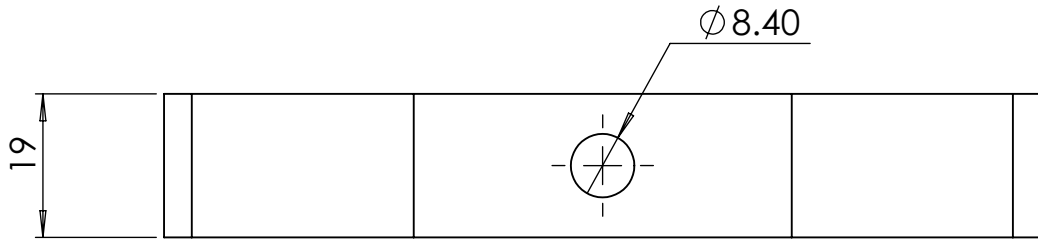
3

2

1

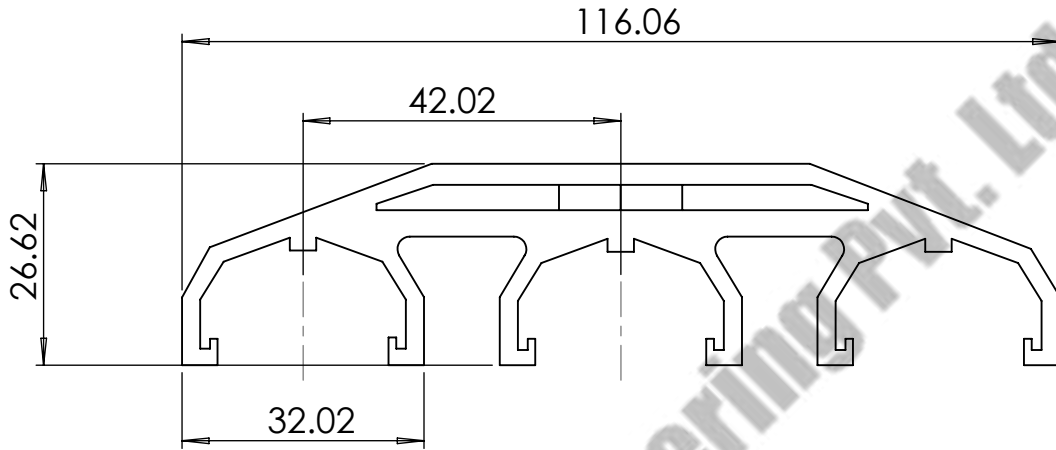
F

F



E

E

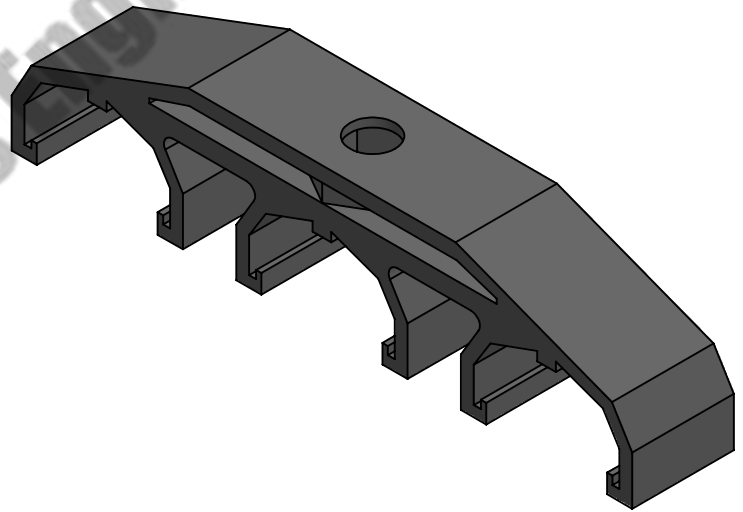


D

D

C

C



B

B

COMPANY NAME:



**ANAND SYSTEM  
ENGINEERING PVT LTD**

DO NOT SCALE DRAWING.

REVISION:

TITLE:

**3 POLE HANGER  
CLAMP W TYPE  
2D**

Email id: info@anandcontrol.in

FINISH:

CONTACT NO: 9137620579

DWG NO.

A

A

DRAWN	SAURABH
CHK'D	
APP'D	
MFG	

MATERIAL:

DATE:

SIGNATURE:

A

WEIGHT:

SCALE:

SHEET: 1 OF 1

4

3

2

1

4

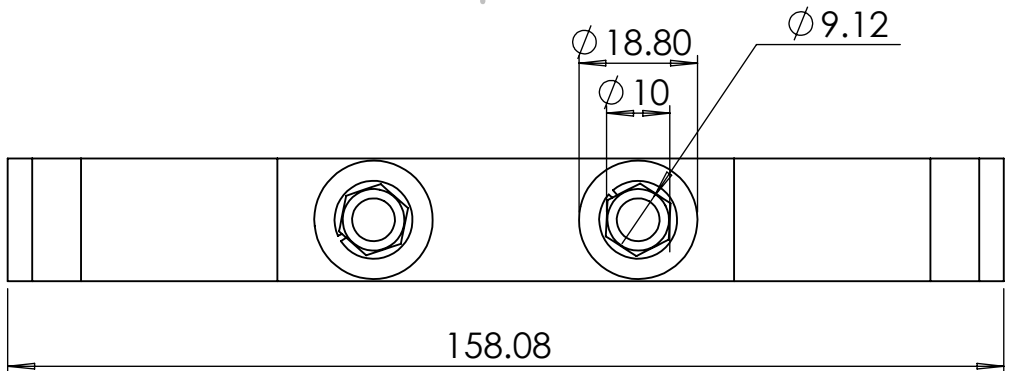
3

2

1

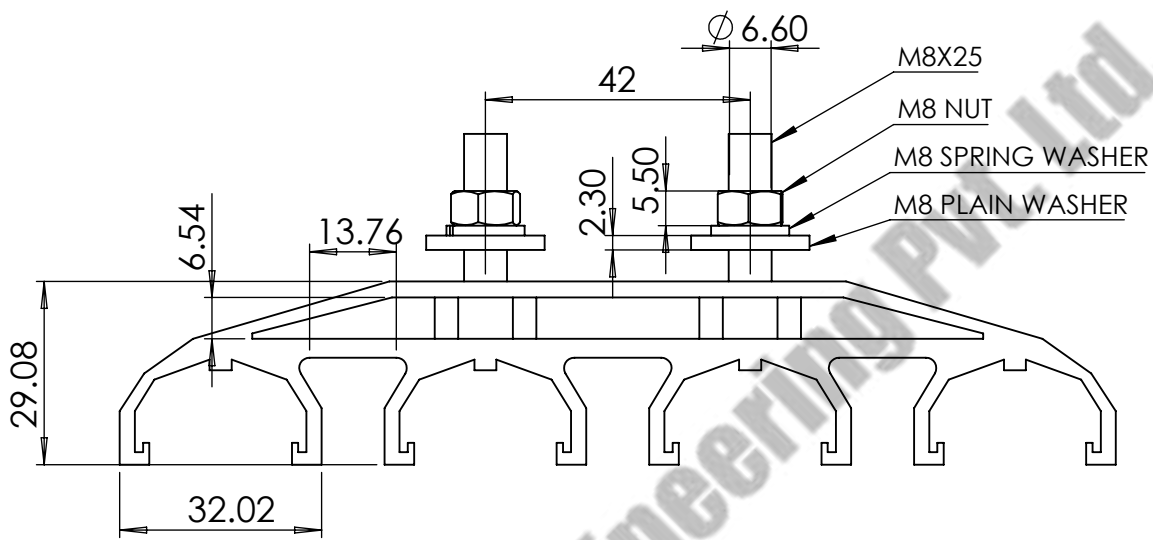
F

F



E

E

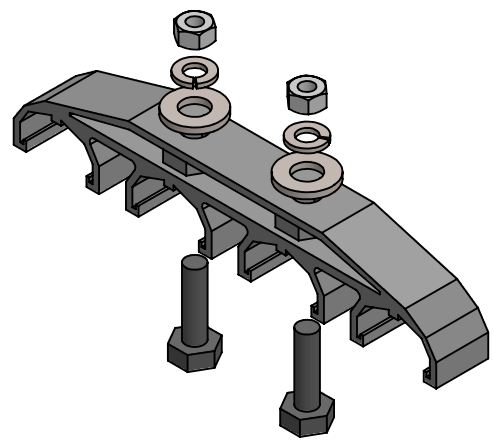


D

D

C

C



B

B

COMPANY NAME:



ANAND SYSTEM ENGINEERING PVT LTD

DO NOT SCALE DRAWING.

REVISION:

TITLE:

4 POLE HANGER CLAMP W TYPE.ASSEMBLY 2D

A

A

Email id: info@anandcontrol.in

CONTACT NO: 9137620579

FINISH:

DWG NO.

DATE:

SIGNATURE:

DRAWN	SAURABH
CHK'D	
APP'D	
MFG	

MATERIAL:

WEIGHT:

SCALE:

SHEET: 1 OF 1

4

3

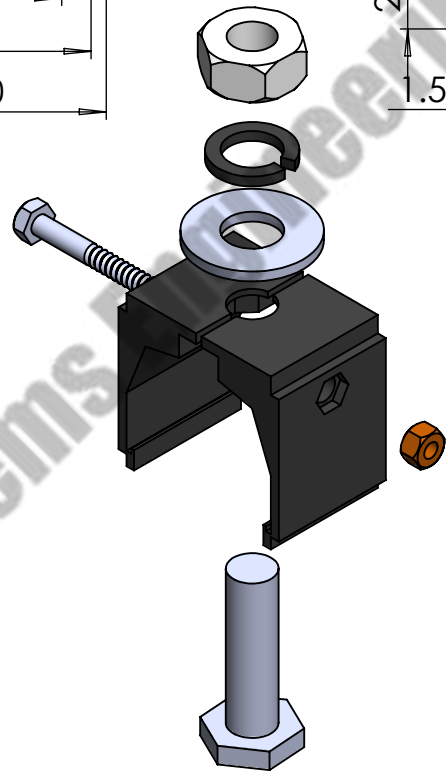
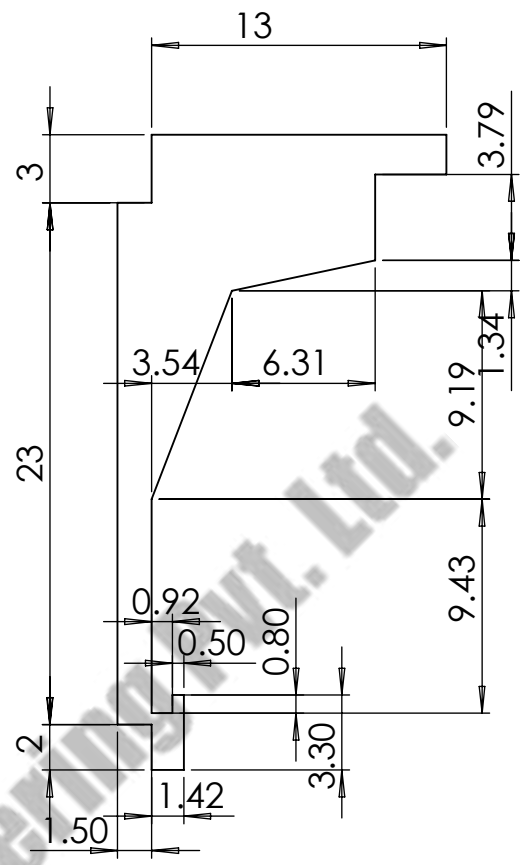
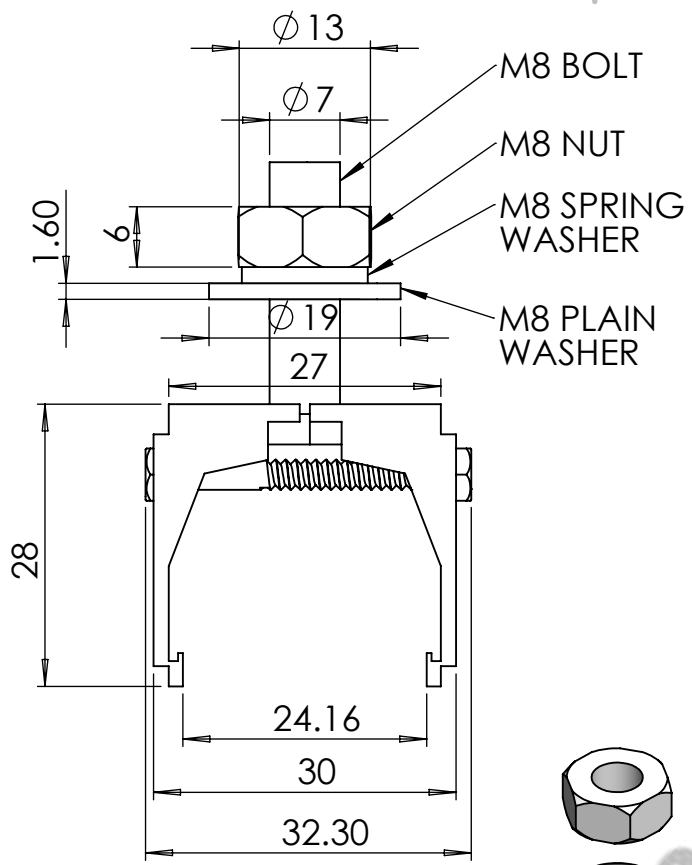
2

1

4 3 2 1

F

F



D


D

C

C

B

B

COMPANY NAME:  
  
**ANAND SYSTEM ENGINEERING PVT LTD**

DO NOT SCALE DRAWING. REVISION:  
 TITLE:  
**ANCHOR CLAMP ASSEMBLY W TYPE 2D**

Email id: info@anandcontrol.in  
 CONTACT NO: 9137620579  
 FINISH:

DWG NO.  
**28X30X20**  
 DATE: SIGNATURE:

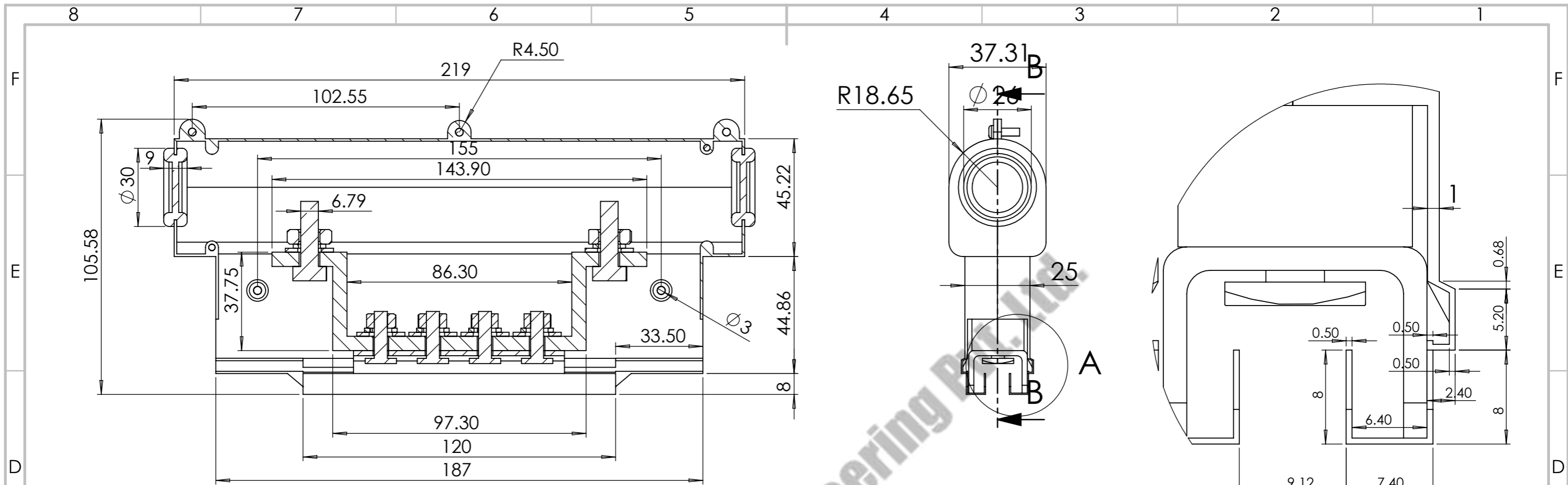
A

A

DRAWN	SAURABH			MATERIAL:	
CHK'D					
APP'D					A
MFG				WEIGHT:	

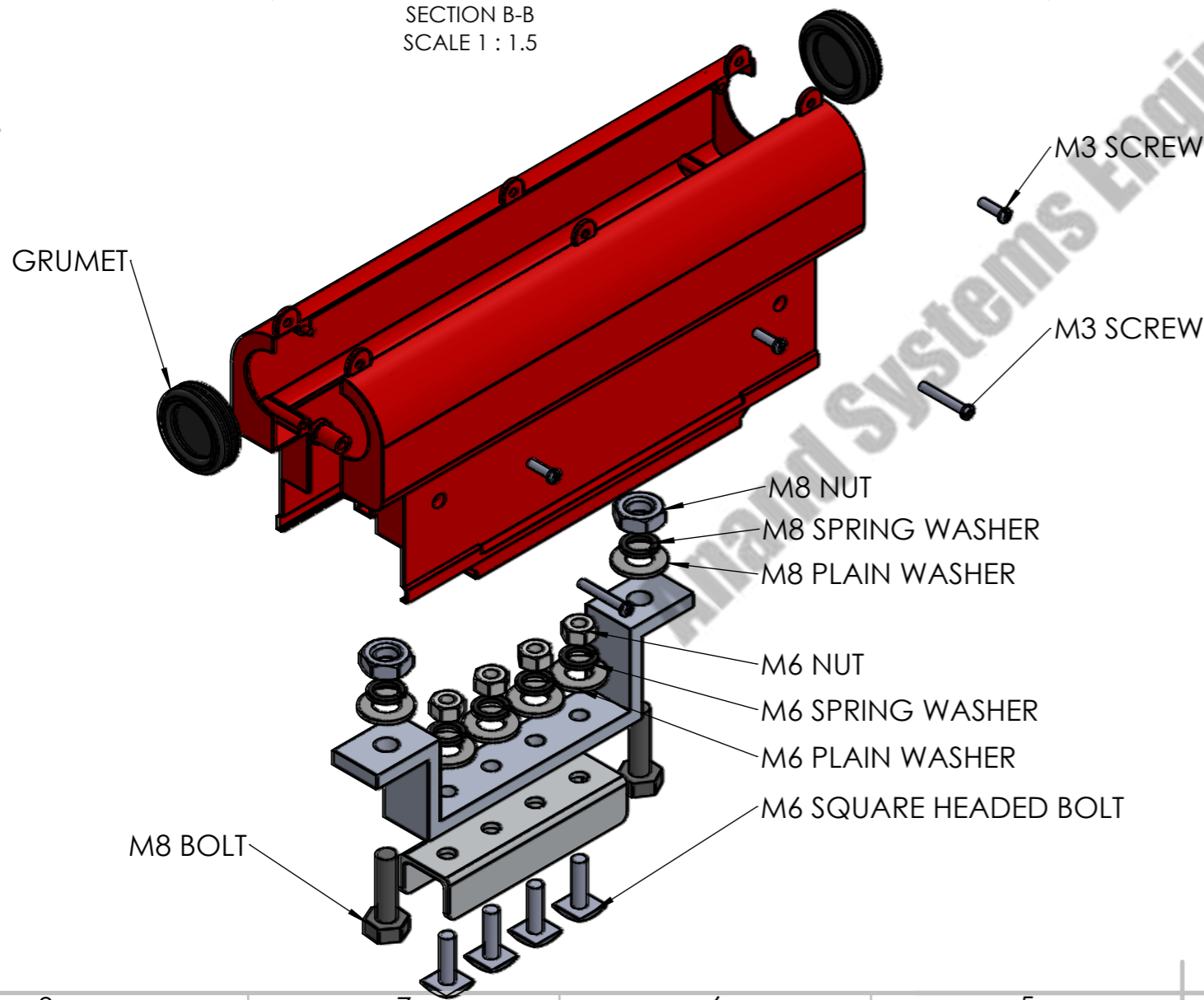
SCALE:	SHEET: 1 OF 1
--------	---------------


4 3 2 1



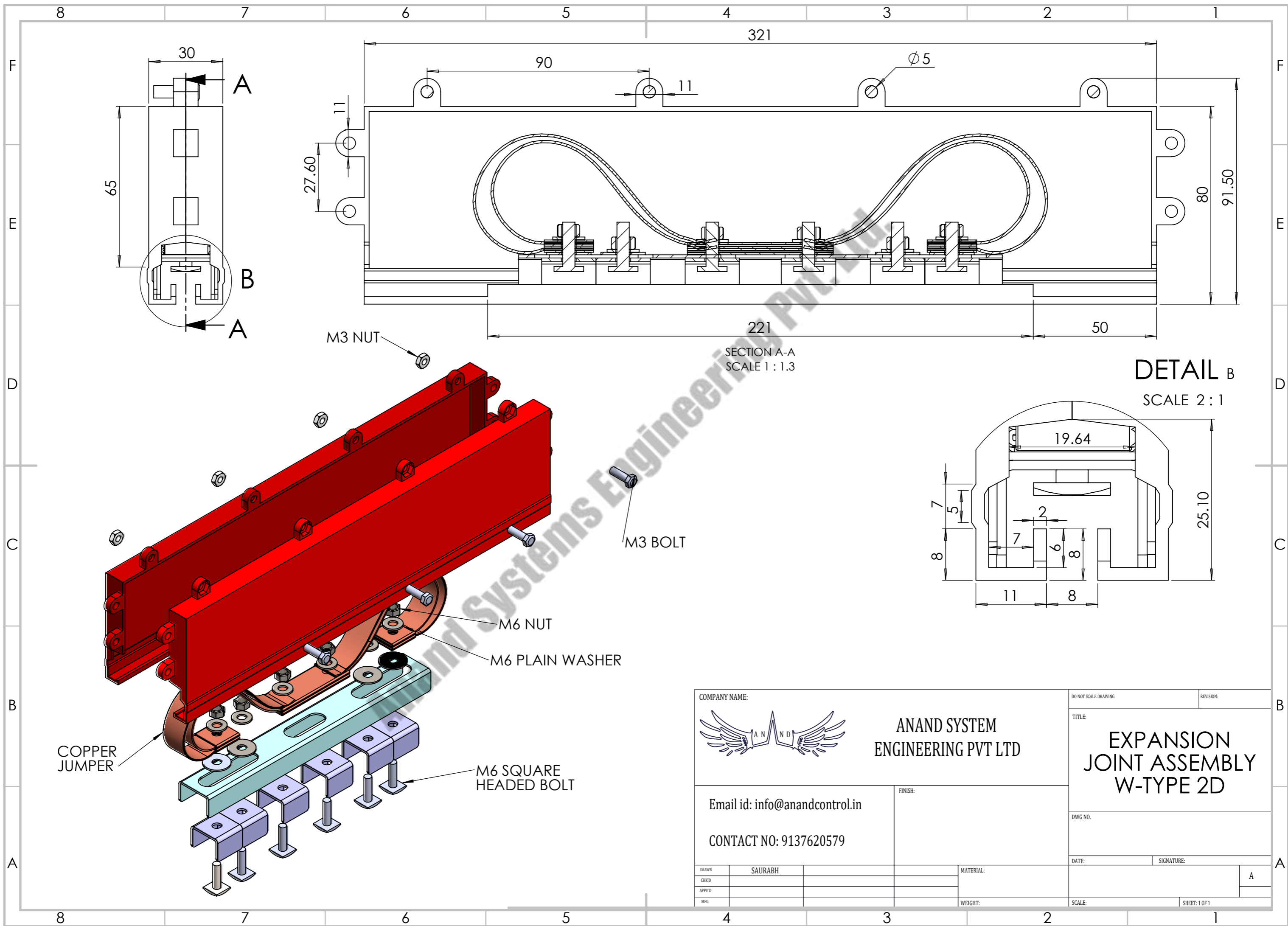
SECTION B-B  
SCALE 1 : 1.5

DETAIL A  
SCALE 3 : 1




COMPANY NAME:		ANAND SYSTEM ENGINEERING PVT LTD		DO NOT SCALE DRAWING:	REVISION:
		Email id: info@anandcontrol.in CONTACT NO: 9137620579		TITLE: <b>CENTER POWERFEED ASSEMBLY W-TYPE 2D</b>	
FINISH:		DWG NO:		<b>219X105.6X37</b>	
DATE:		SIGNATURE:		A	
DRAWN:	SAURABH	MATERIAL:			
CHK'D:		WEIGHT:			
APPY'D:		SCALE:	SHEET: 1 OF 1		
MFG:					





SECTION A-A  
SCALE 1 : 1.3

DETAIL B  
SCALE 2 : 1

COMPANY NAME:		ANAND SYSTEM ENGINEERING PVT LTD		DO NOT SCALE DRAWING.	REVISION:
 Email id: info@anandcontrol.in CONTACT NO: 9137620579		FINISH:		<b>EXPANSION JOINT ASSEMBLY W-TYPE 2D</b>	
		MATERIAL:			
DATE:	SIGNATURE:	WEIGHT:	SCALE:	SHEET: 1 OF 1	
DRAWN: SAURABH CHK'D: APP'D: MFG:				A	

4

3

2

1

F

F

E

E

D

D

C

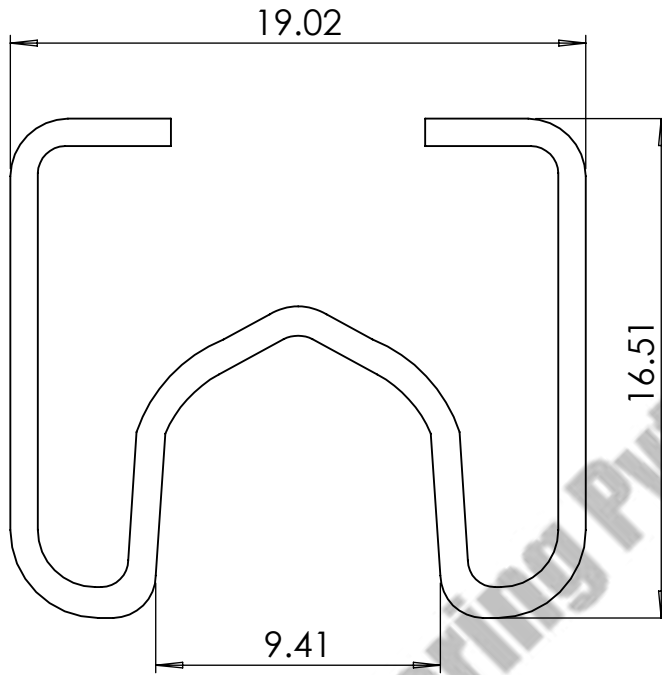
C

B

B

A

A



COMPANY NAME:



**ANAND SYSTEM  
ENGINEERING PVT LTD**

DO NOT SCALE DRAWING.

REVISION:

TITLE:

**AL-CU W TYPE  
DSL 2D**

Email id: info@anandcontrol.in

CONTACT NO: 9137620579

FINISH:

DWG NO.

DATE:

SIGNATURE:

A

DRAWN	SAURABH
CHK'D	
APP'D	
MFG	

MATERIAL:

WEIGHT:

SCALE:

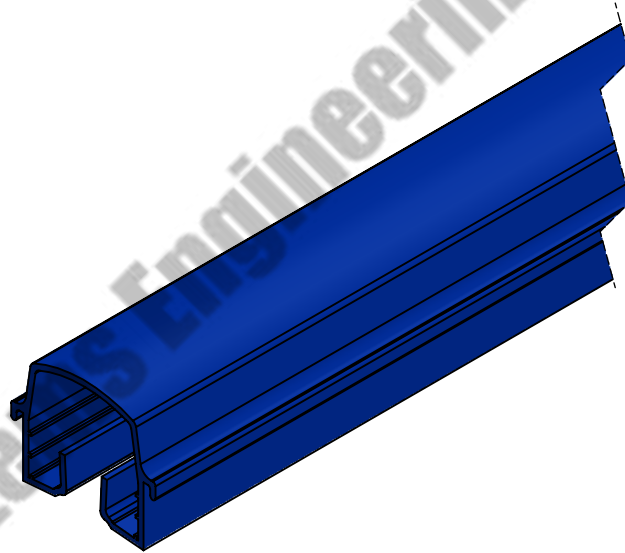
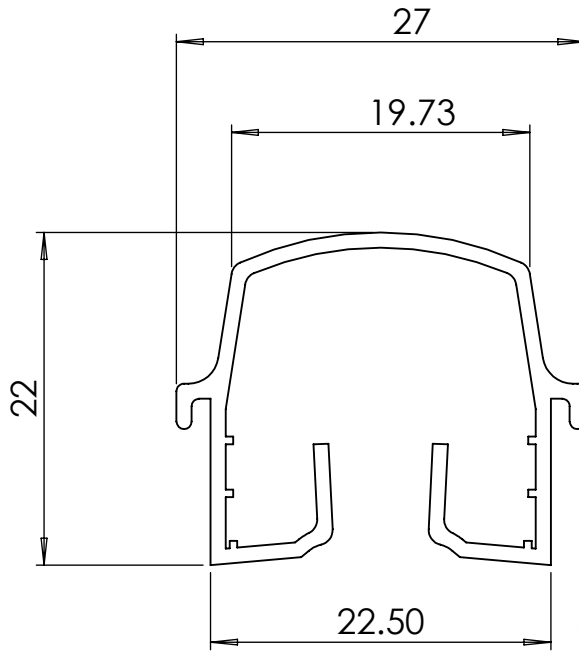
SHEET: 1 OF 1

4

3

2

1



COMPANY NAME:



ANAND SYSTEM  
ENGINEERING PVT LTD

DO NOT SCALE DRAWING.

REVISION:

TITLE:

SLEEVE W  
TYPE 2D

Email id: info@anandcontrol.in

CONTACT NO: 9137620579

FINISH:

DWG NO.

DATE:

SIGNATURE:

DRAWN	SAURABH
CHK'D	
APP'D	
MFG	

MATERIAL:

WEIGHT:

SCALE:

SHEET: 1 OF 1

A

4

3

2

1

F

F

E

E

D

D

C

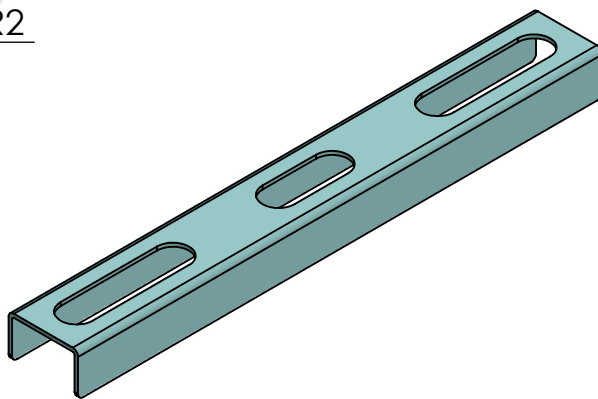
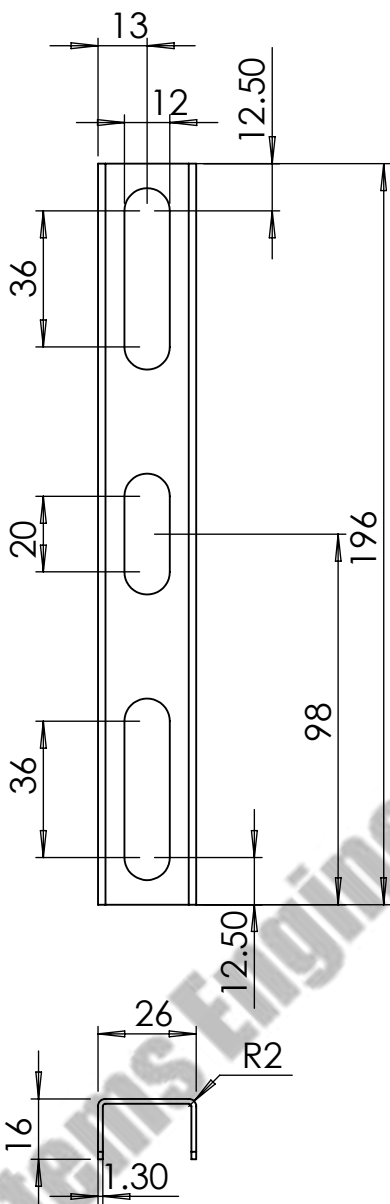
C

B

B

A

A



COMPANY NAME:



ANAND SYSTEM  
ENGINEERING PVT LTD

DO NOT SCALE DRAWING.

REVISION:

TITLE:

CLAMP  
EXPANSION  
W-TYPE 2D

Email id: info@anandcontrol.in

CONTACT NO: 9137620579

FINISH:

DWG NO.

DATE:

SIGNATURE:

A

DRAWN

SAURABH

CHK'D

APP'D

MFG

MATERIAL:

WEIGHT:

SCALE:

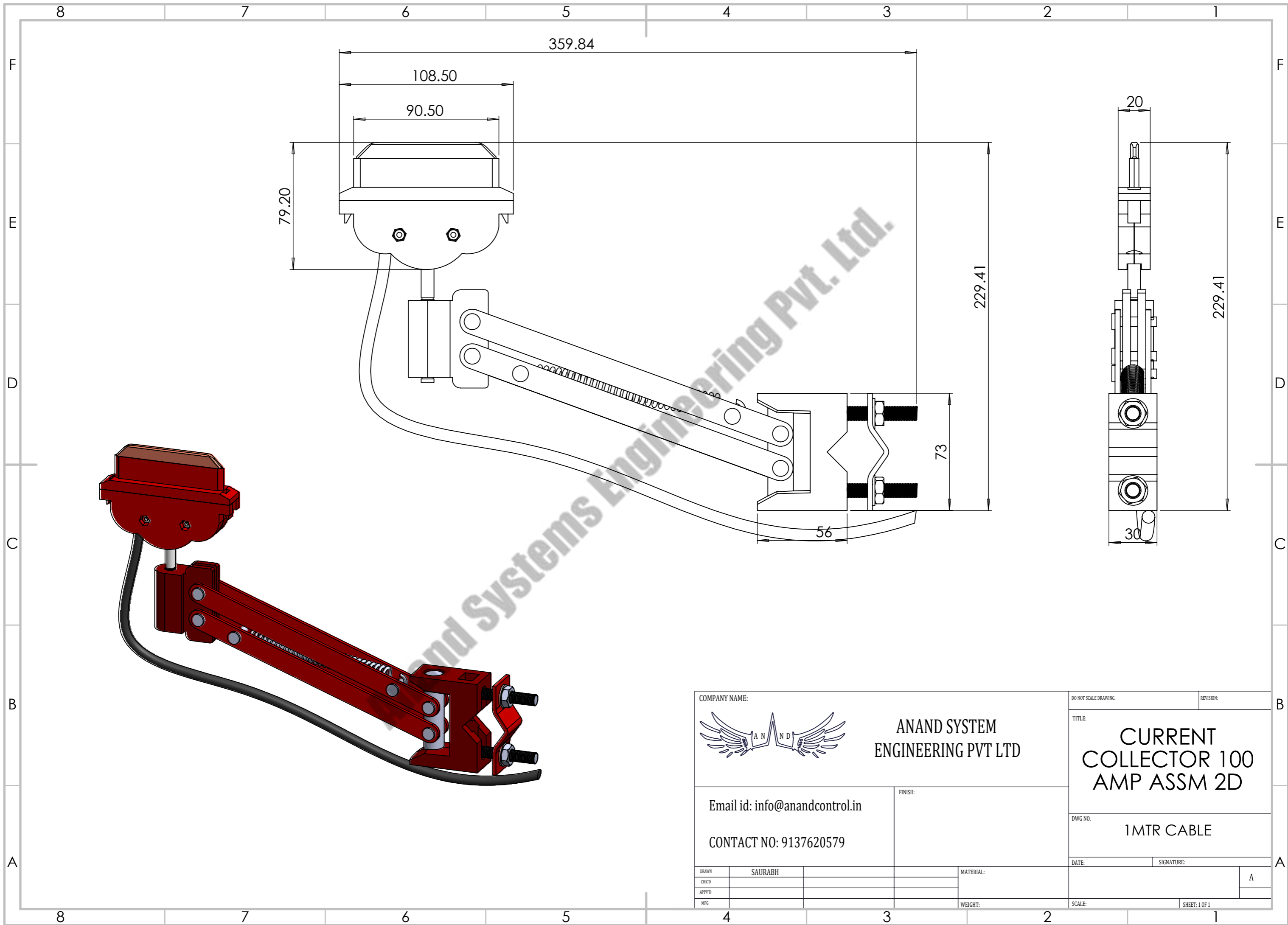
SHEET: 1 OF 1

4


3

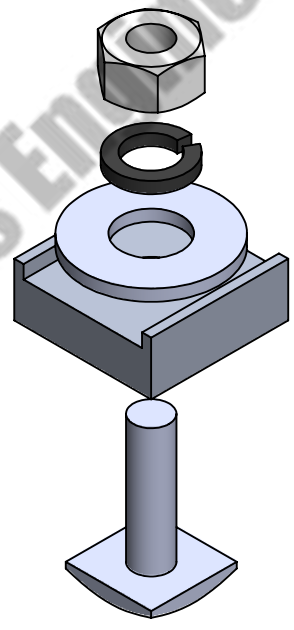
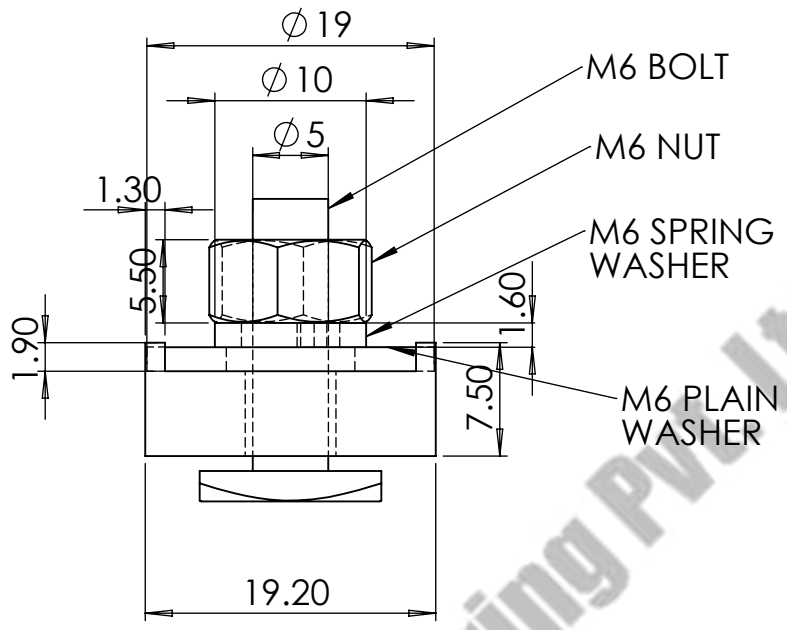
2

1



Anand Systems Engineering Pvt. Ltd.

COMPANY NAME:		ANAND SYSTEM ENGINEERING PVT LTD		DO NOT SCALE DRAWING.	REVISION:
		<p>Email id: info@anandcontrol.in</p> <p>CONTACT NO: 9137620579</p>		<p>TITLE:</p> <p><b>CURRENT COLLECTOR 100 AMP ASSM 2D</b></p>	
FINISH:		MATERIAL:		DWG NO.	
				1MTR CABLE	
DATE:		SIGNATURE:		A	
DRAWN	SAURABH			SCALE:	
CHK'D				SHEET: 1 OF 1	
APP'VD					
MFG					



COMPANY NAME:



**ANAND SYSTEM  
ENGINEERING PVT LTD**

DO NOT SCALE DRAWING.

REVISION:

TITLE:

**END CLAMP  
ASSEMBLY W  
TYPE 2D**

Email id: info@anandcontrol.in

CONTACT NO: 9137620579

FINISH:

DWG NO.

DATE:

SIGNATURE:

DRAWN	SAURABH		
CHK'D			
APP'D			
MFG			

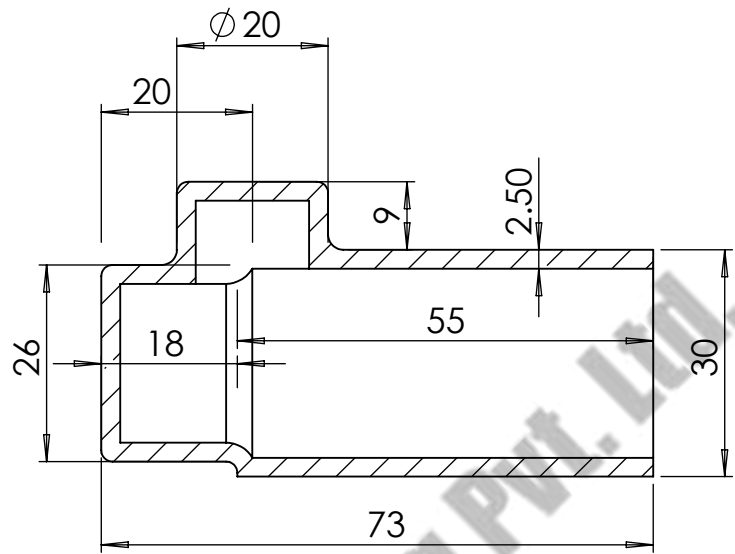
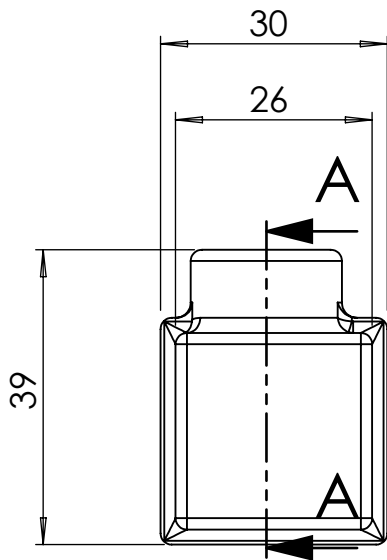
MATERIAL:

WEIGHT:

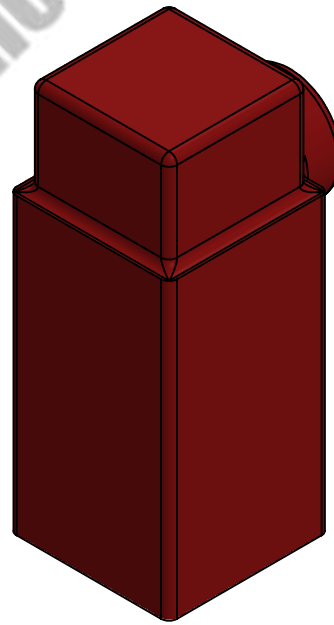
SCALE:

SHEET: 1 OF 1

A



SECTION A-A



COMPANY NAME:



**ANAND SYSTEM  
ENGINEERING PVT LTD**

DO NOT SCALE DRAWING.

REVISION:

TITLE:

**END COVER  
W TYPE 2D**

Email id: info@anandcontrol.in

CONTACT NO: 9137620579

FINISH:

DWG NO.

DATE:

SIGNATURE:

DRAWN	SAURABH
CHK'D	
APP'D	
MFG	

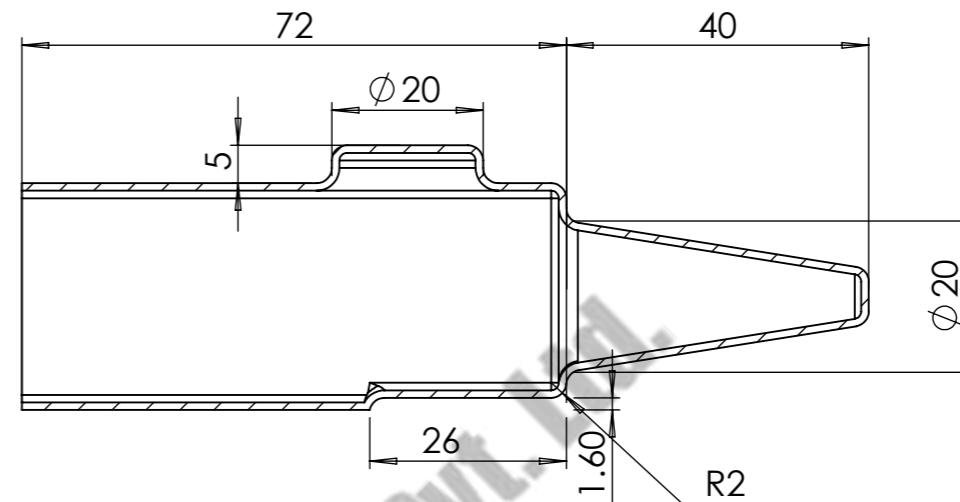
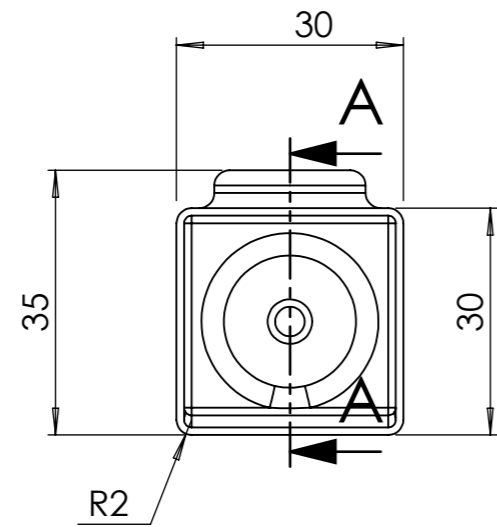
MATERIAL:

WEIGHT:

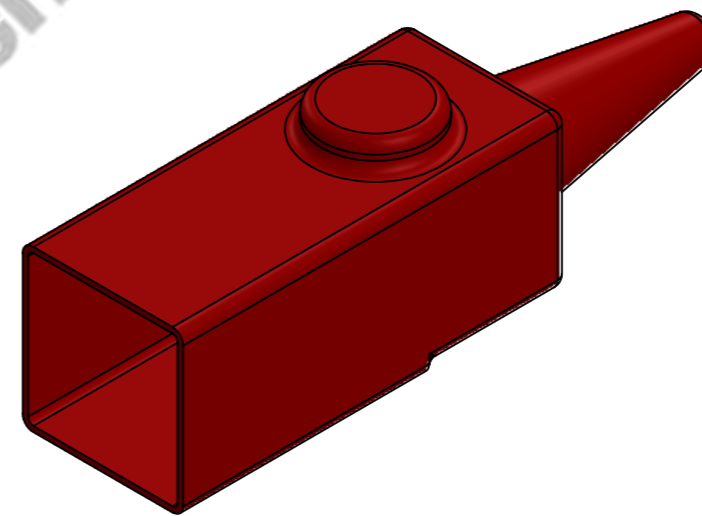
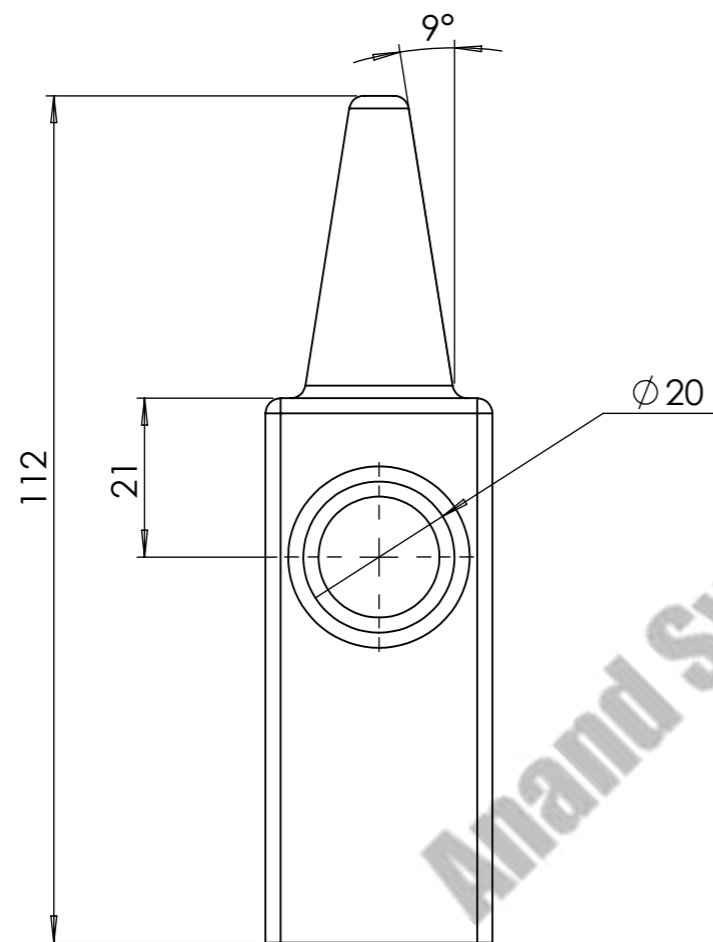
SCALE:

SHEET: 1 OF 1

A



SECTION A-A



COMPANY NAME:



**ANAND SYSTEM  
ENGINEERING PVT LTD**

Email id: [info@anandcontrol.in](mailto:info@anandcontrol.in)

CONTACT NO: 9137620579

FINISH:

DO NOT SCALE DRAWING.

REVISION:

TITLE:

**END POWER FEED  
W-TYPE 2D**

DWG NO.

DATE:

SIGNATURE:

DRAWN	SAURABH		
CHK'D			
APPV'D			
MFG			

MATERIAL:

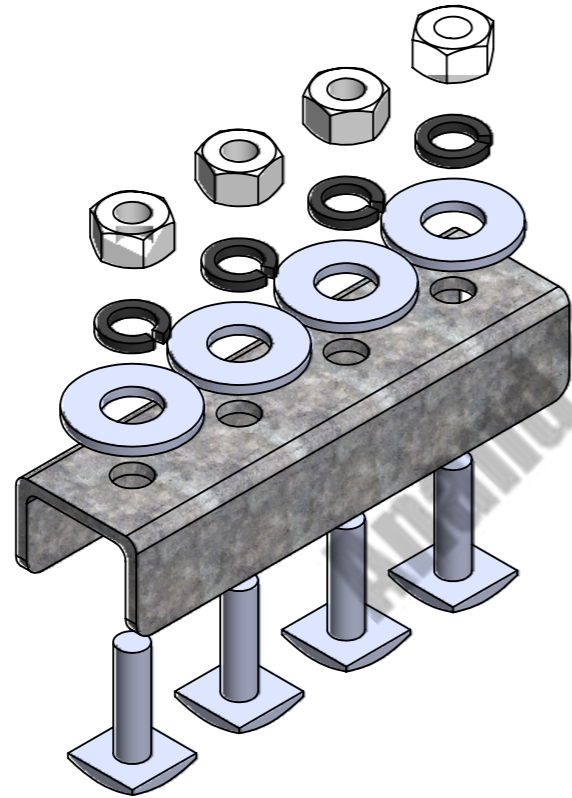
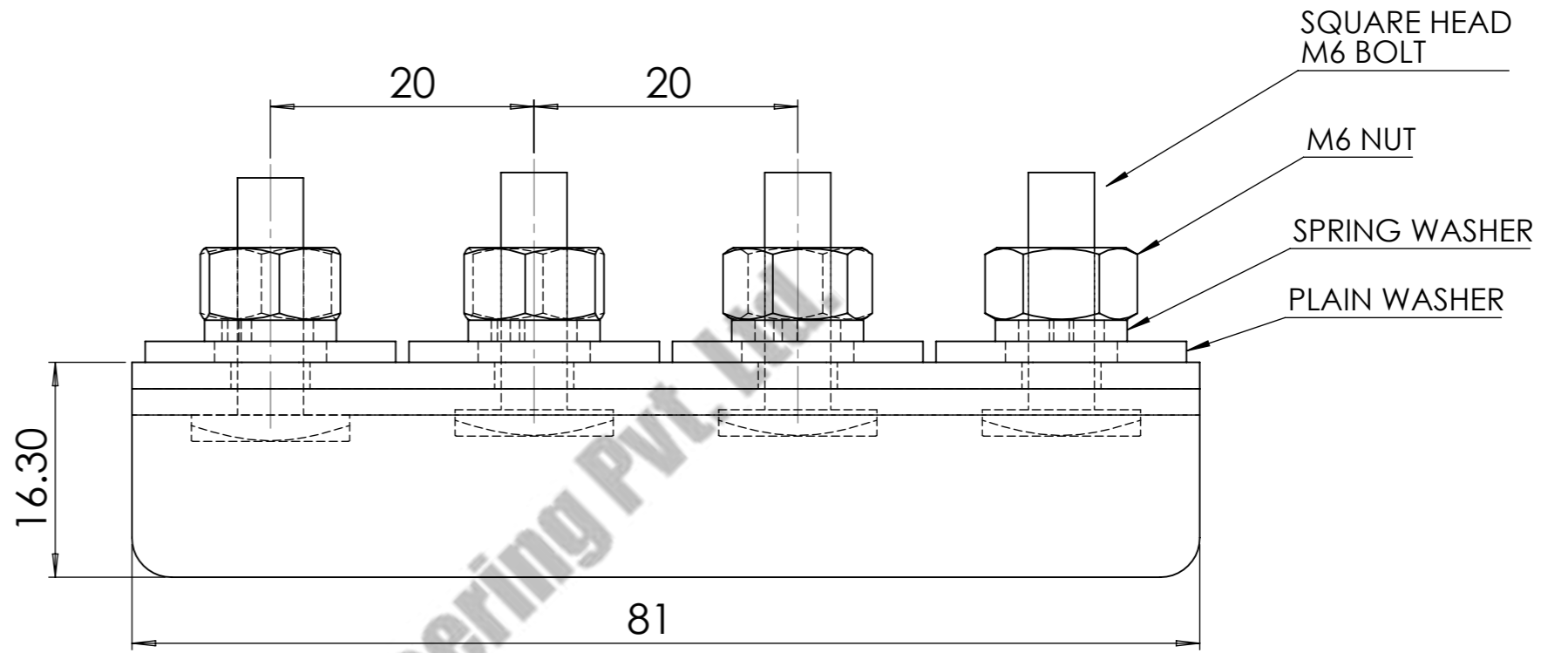
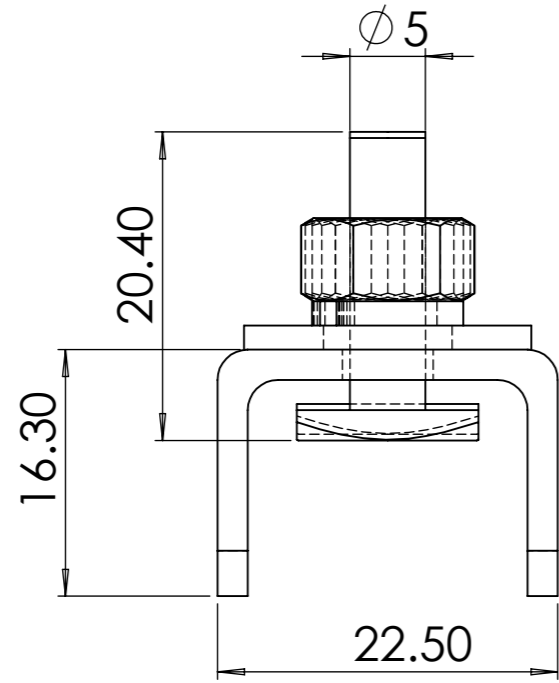
WEIGHT:

SCALE:

SHEET: 1 OF 1

A





COMPANY NAME:



ANAND SYSTEM  
ENGINEERING PVT LTD

Email id: info@anandcontrol.in

CONTACT NO: 9137620579

FINISH:

DO NOT SCALE DRAWING.

REVISION:

TITLE:

JOINT CLAMP  
ASSEMBLY W TYPE 2D  
GI

DWG NO.

DATE:

SIGNATURE:

DRAWN  
CHK'D  
APPY'D  
MFG

SAURABH

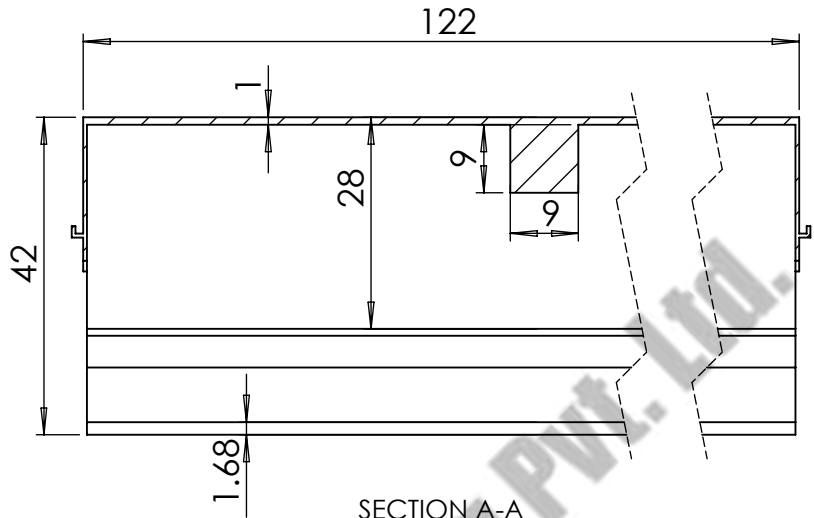
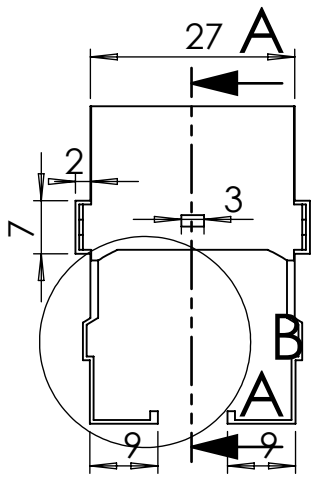
MATERIAL:

WEIGHT:

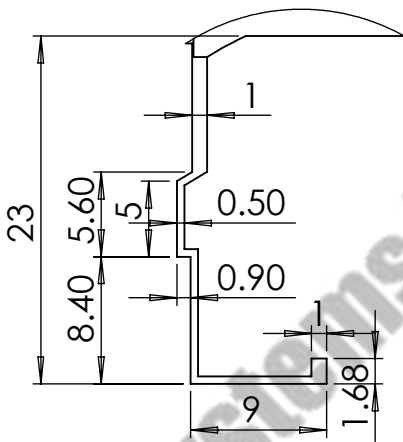
SCALE:

SHEET: 1 OF 1

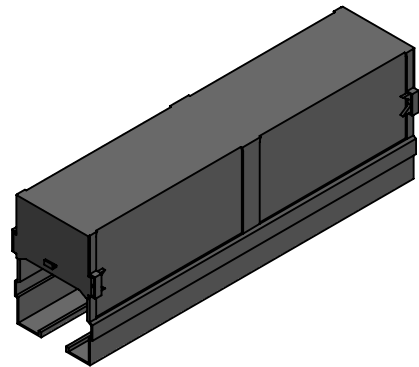
A



SECTION A-A  
SCALE 1 : 1



DETAIL B  
SCALE 2 : 1



COMPANY NAME:



**ANAND SYSTEM  
ENGINEERING PVT LTD**

DO NOT SCALE DRAWING.

REVISION:

TITLE:

**JOINT COVER  
W-TYPE 2D**

Email id: [info@anandcontrol.in](mailto:info@anandcontrol.in)

CONTACT NO: 9137620579

FINISH:

DWG NO.

DATE:

SIGNATURE:

DRAWN	SAURABH
CHK'D	
APP'D	
MFG	

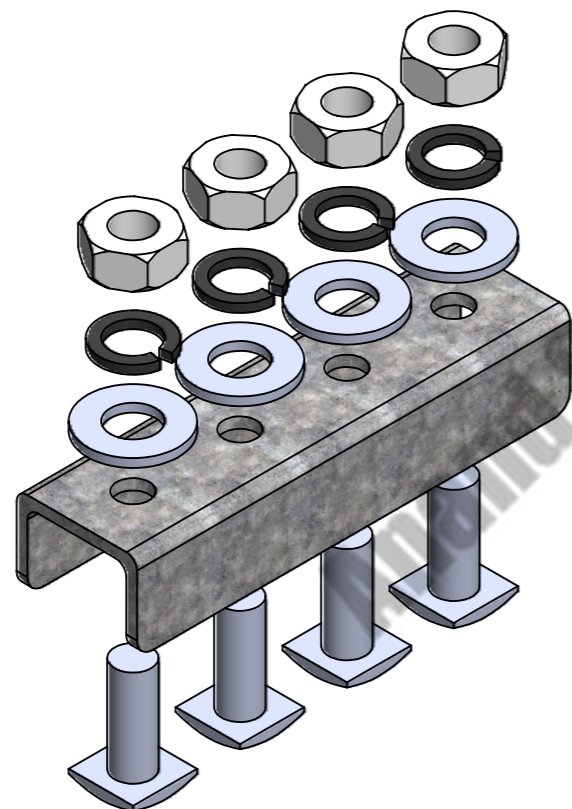
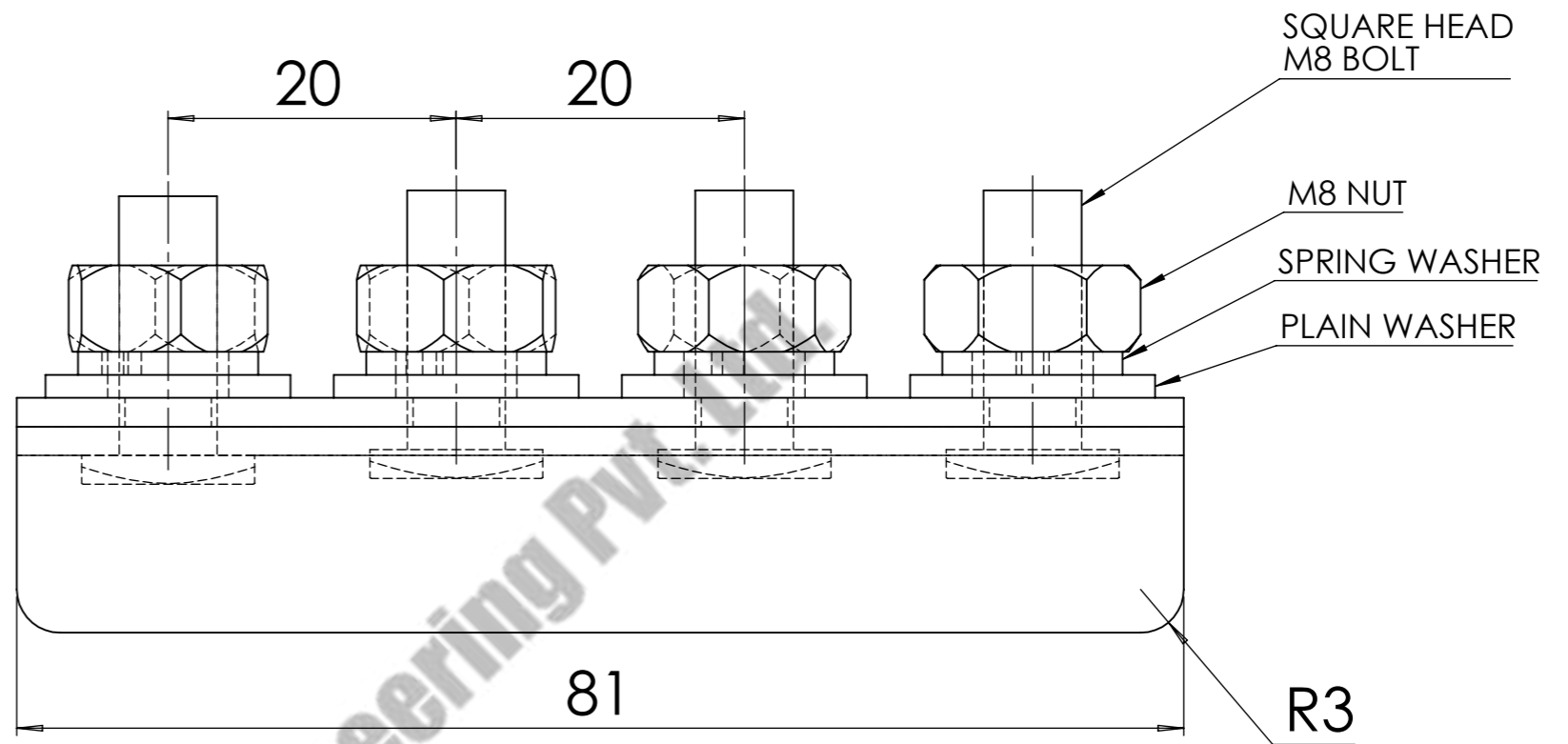
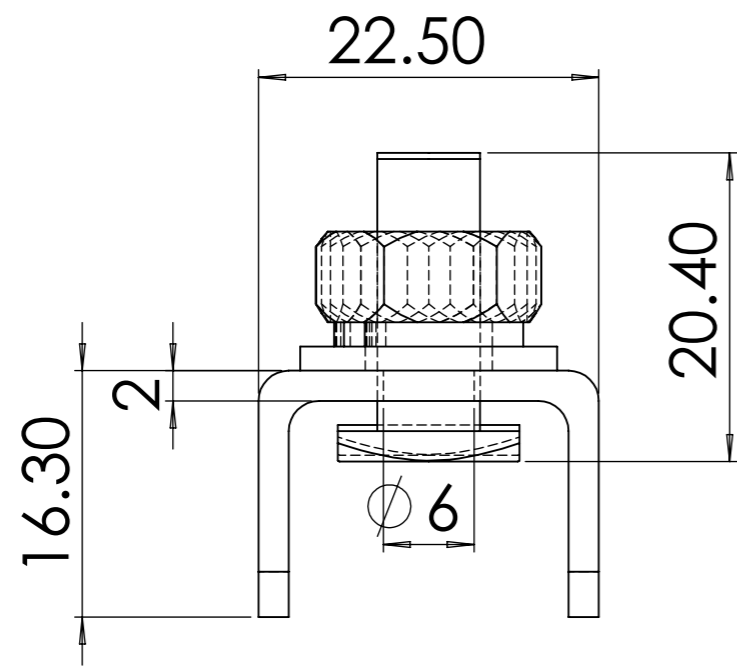
MATERIAL:


WEIGHT:

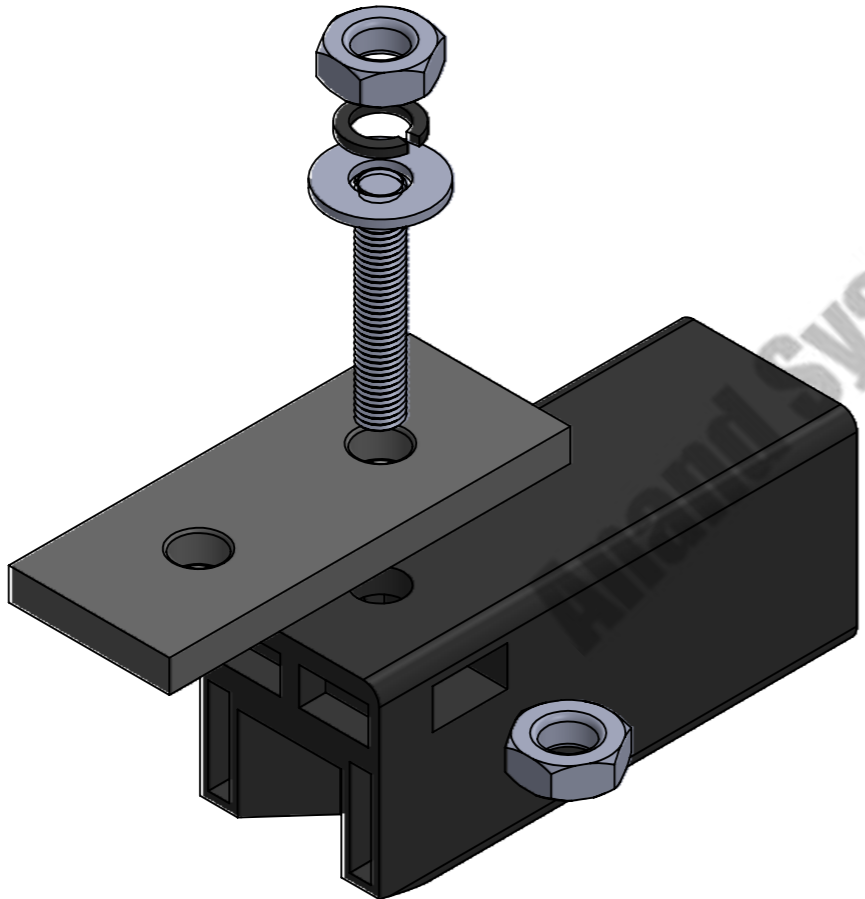
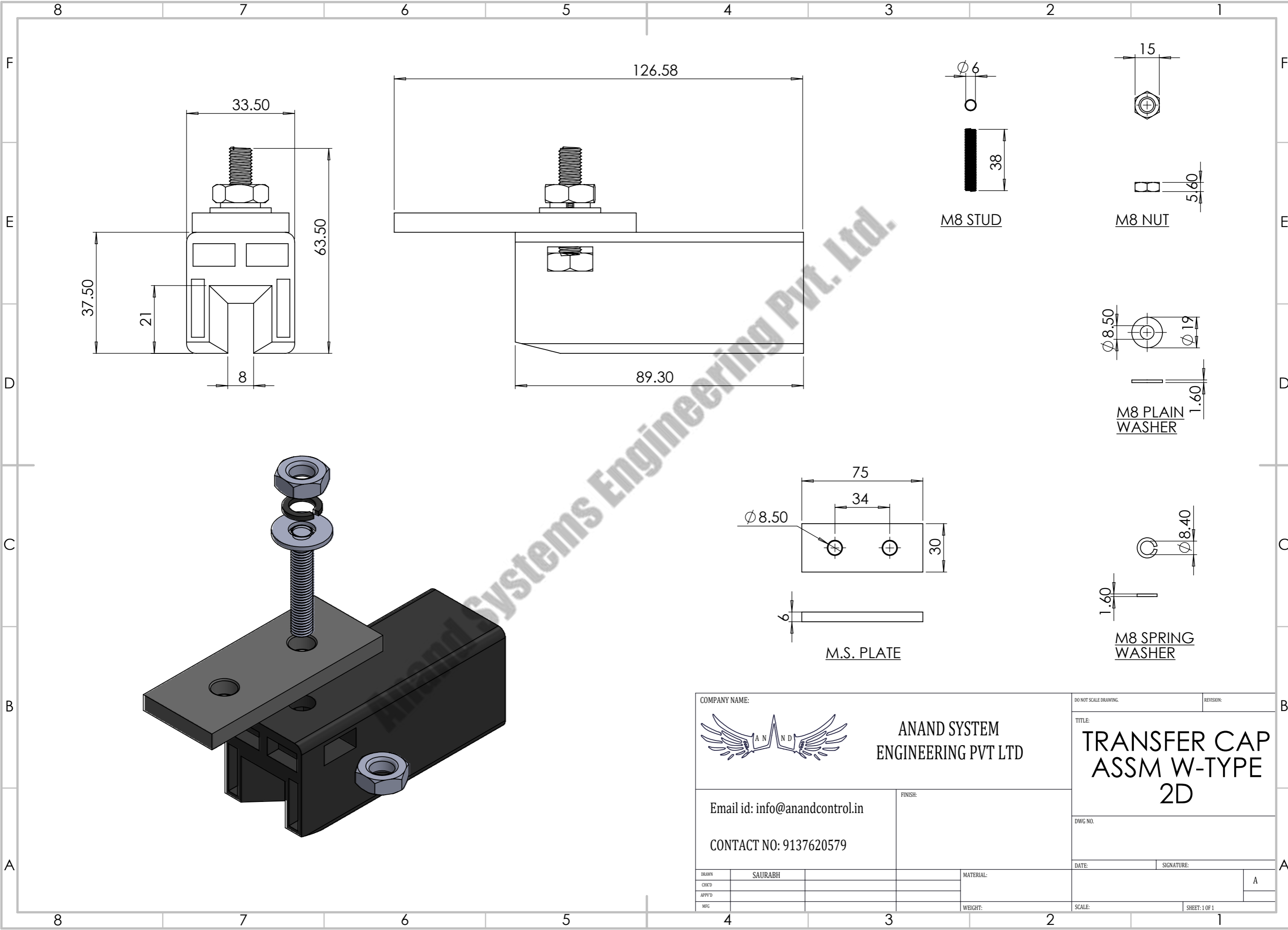
SCALE:


SHEET: 1 OF 1

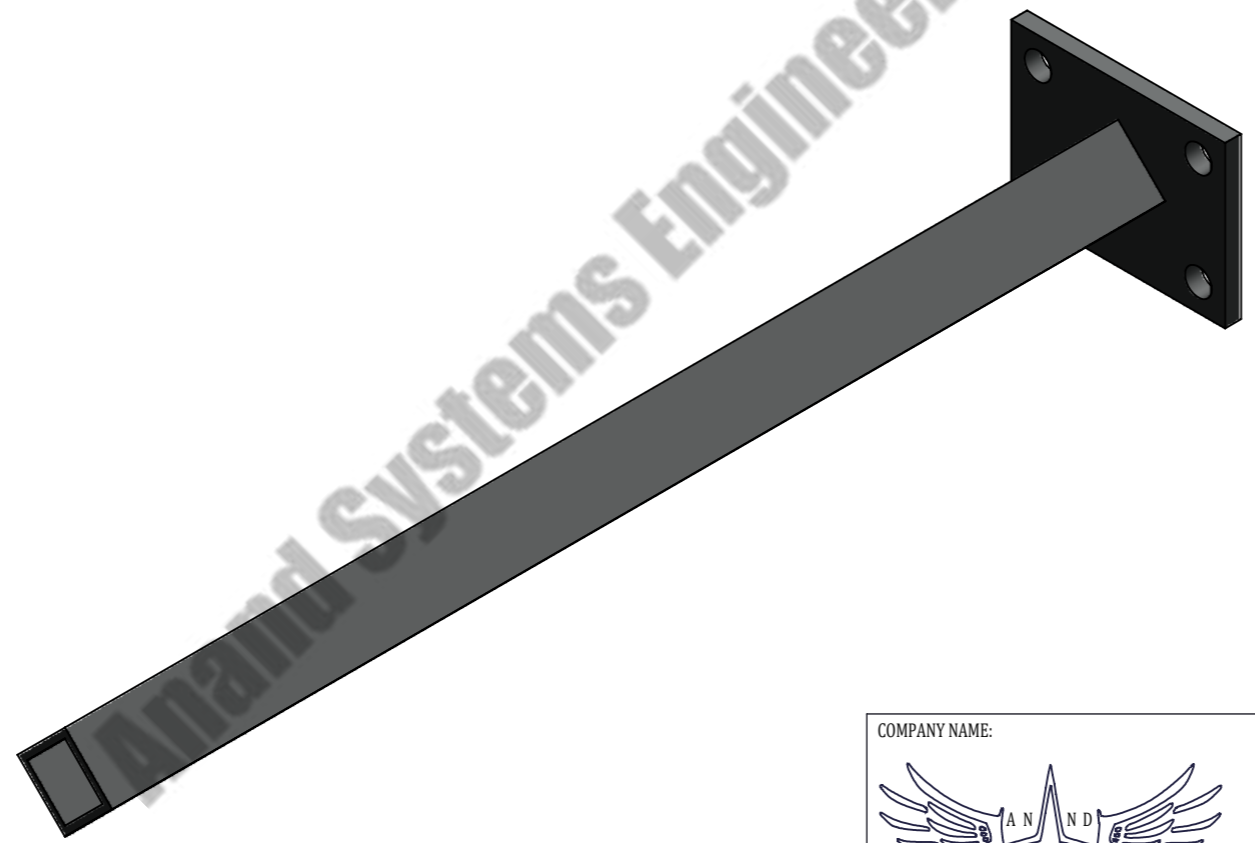
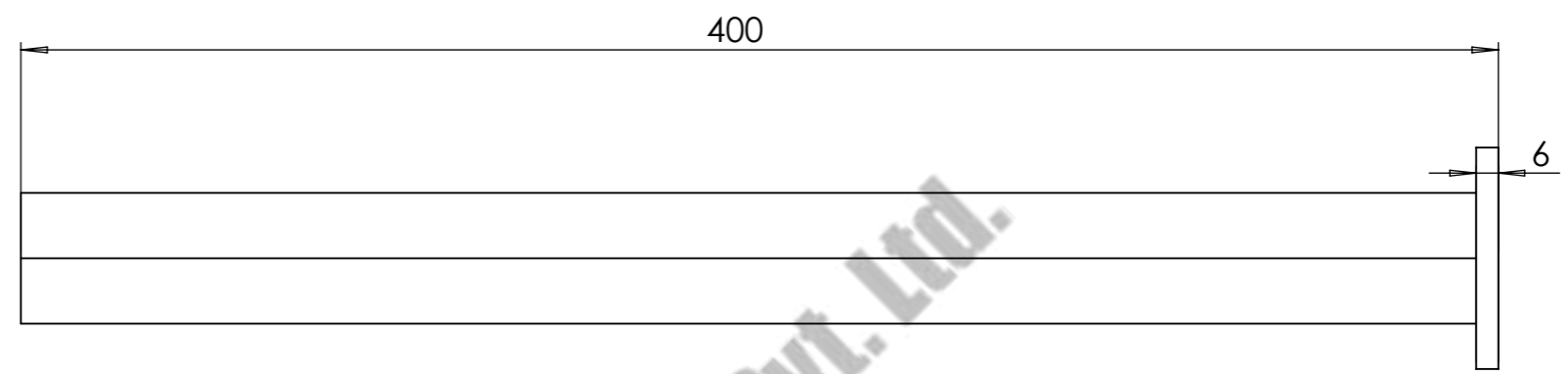
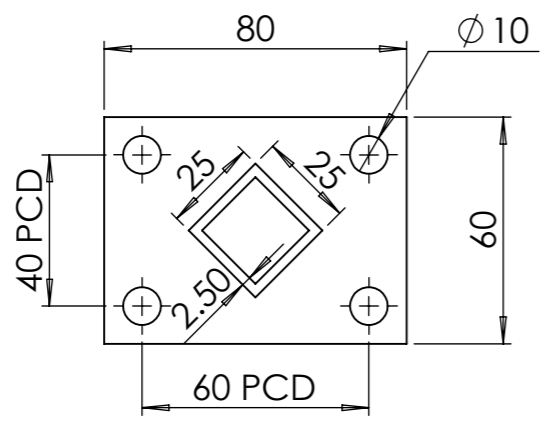
A




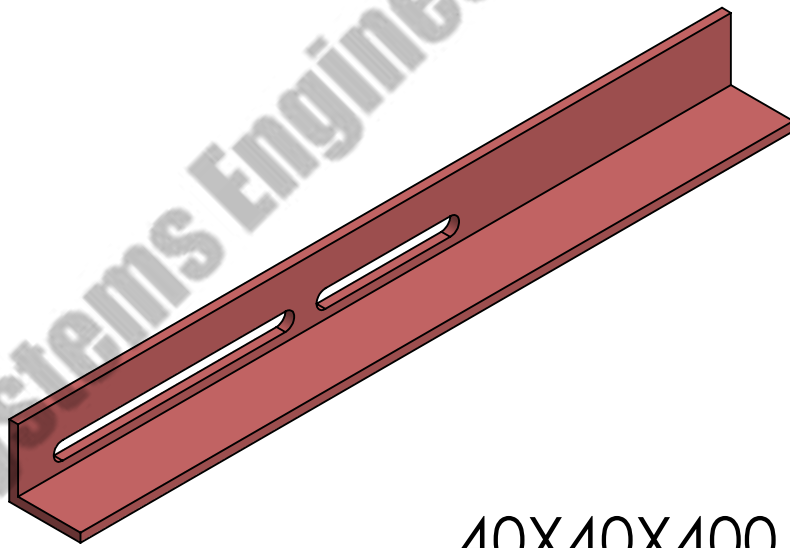
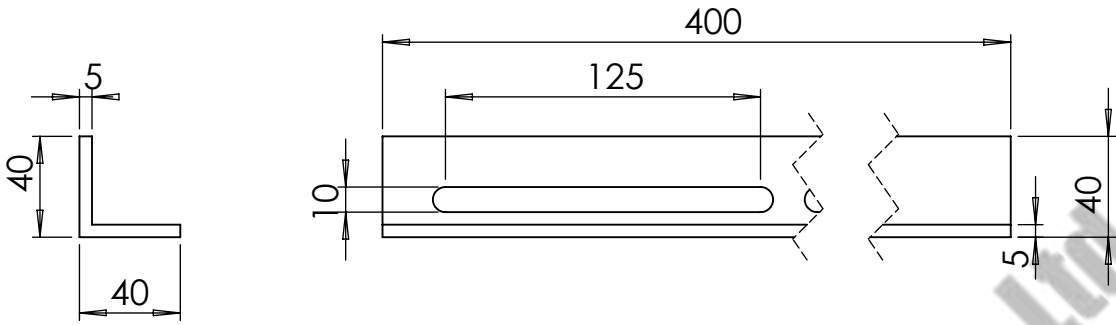
COMPANY NAME:		ANAND SYSTEM ENGINEERING PVT LTD		DO NOT SCALE DRAWING.	REVISION:
		Email id: info@anandcontrol.in CONTACT NO: 9137620579		TITLE: <b>POWER FEED CLAMP ASSEMBLY W TYPE 2D GI</b>	
FINISH:		MATERIAL:		DWG NO.	
DATE:		SIGNATURE:		A	
DRAWN: SAURABH	CHK'D:	APPV'D:	MFG:	SCALE:	SHEET: 1 OF 1



COMPANY NAME:		ANAND SYSTEM ENGINEERING PVT LTD		DO NOT SCALE DRAWING.	REVISION:
		Email id: info@anandcontrol.in CONTACT NO: 9137620579		TITLE: <b>TRANSFER CAP ASSM W-TYPE 2D</b>	
FINISH:		DATE:		SIGNATURE:	
DRAWN	SAURABH	MATERIAL:		A	
CHK'D		WEIGHT:		SCALE:	
APPY'D		SHEET: 1 OF 1			
MFG					



COMPANY NAME:		ANAND SYSTEM ENGINEERING PVT LTD		DO NOT SCALE DRAWING.	REVISION:
		<p>Email id: info@anandcontrol.in</p> <p>CONTACT NO: 9137620579</p>		<p>TITLE:</p> <h1>C.C-Bracket 100 AMP</h1>	
FINISH:		DATE:		SIGNATURE:	
DRAWN	SAURABH	MATERIAL:	A		
CHK'D					
APP'VD					
MFG		WEIGHT:	SCALE:	SHEET: 1 OF 1	



40X40X400, THK-5  
MM

COMPANY NAME:



ANAND SYSTEM  
ENGINEERING PVT LTD

DO NOT SCALE DRAWING.

REVISION:

TITLE:

Web-Bracket  
400 W TYPE 2D

Email id: info@anandcontrol.in

CONTACT NO: 9137620579

FINISH:

DWG NO.

DATE:

SIGNATURE:

DRAWN	SAURABH
CHK'D	
APP'D	
MFG	

MATERIAL:

WEIGHT:

SCALE:

SHEET: 1 OF 1

A