

4

3

2

1

F

F

E

E

D

D

C

C

B

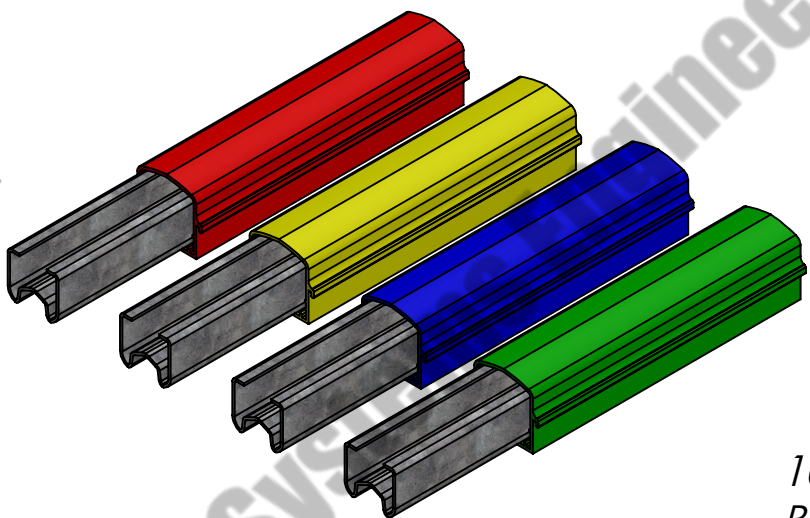
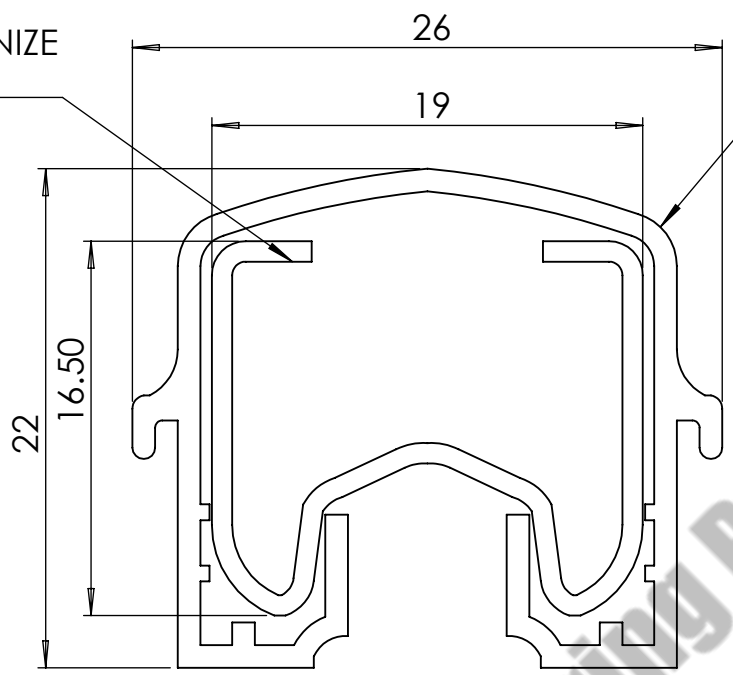
B

A

A

GALVANIZE  
STEEL

PVC SLEEVE



*100AMP- GALVANIZE- 04  
BAR BOLTED(W) TYPE  
RED YELLOW BLUE GREEN  
COLOUR PVC*

COMPANY NAME:



**ANAND SYSTEM  
ENGINEERING PVT LTD**

DO NOT SCALE DRAWING.

REVISION:

TITLE:

**Safelink W  
100Amp GI  
RYBG 2D**

Email id: info@anandcontrol.in

CONTACT NO: 9137620579

FINISH:

DWG NO.

DATE:

SIGNATURE:

DRAWN	SAURABH	MATERIAL:	
CHK'D			
APP'D			
MFG		WEIGHT:	

SCALE:

SHEET: 1 OF 1

4

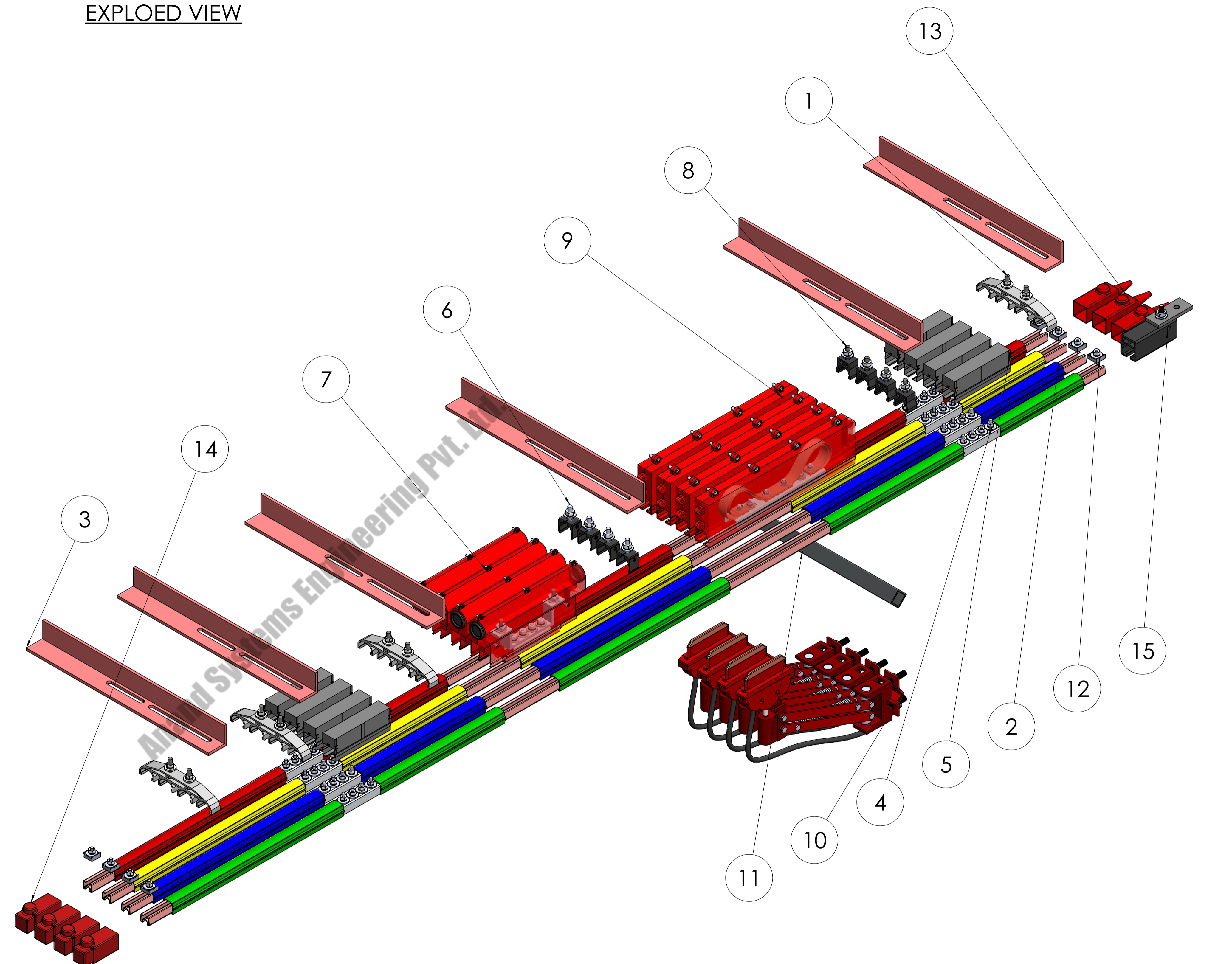
3

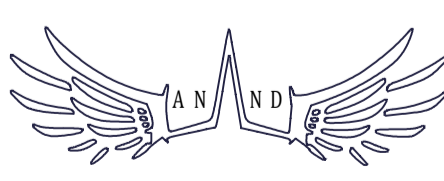
2

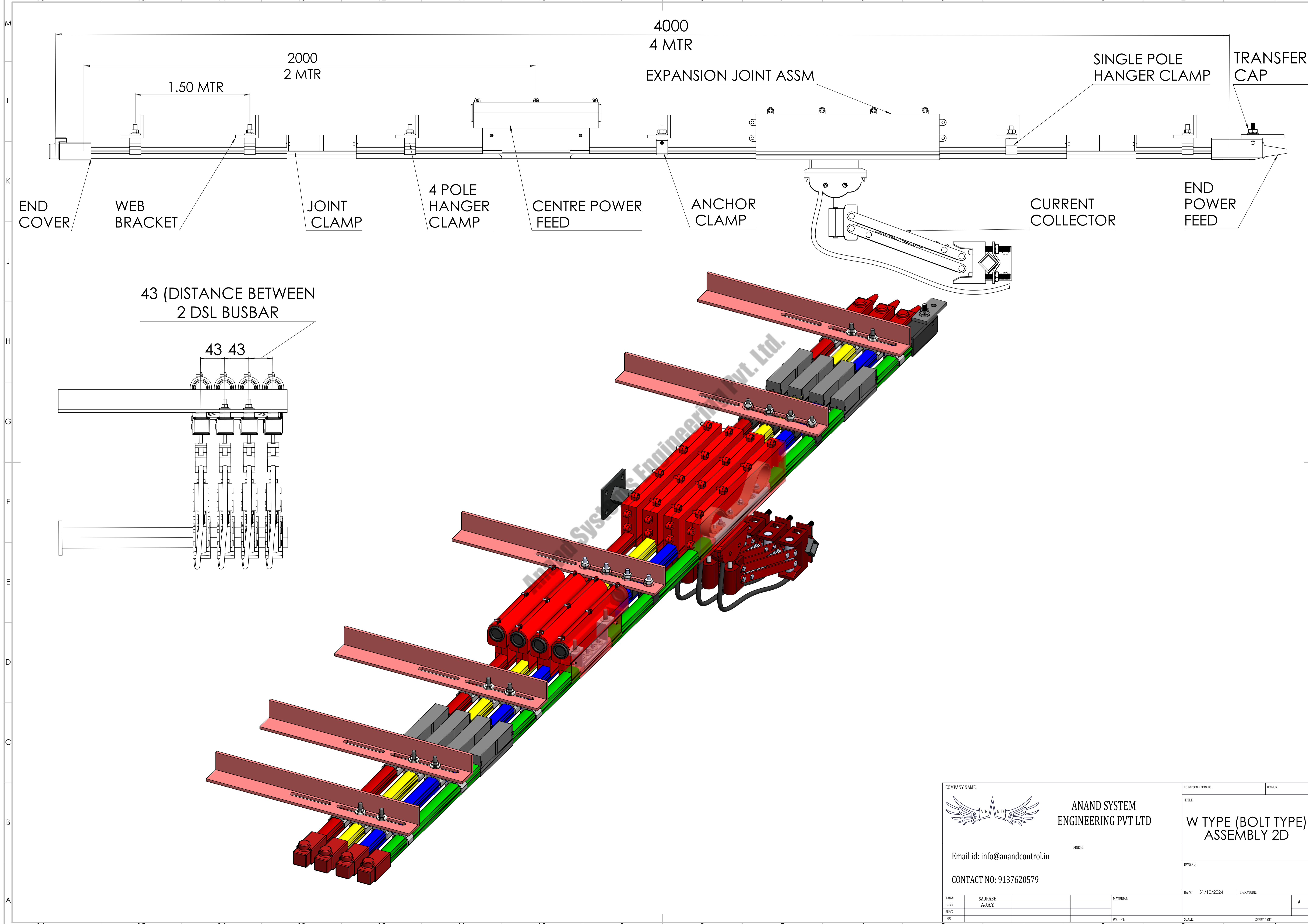
1

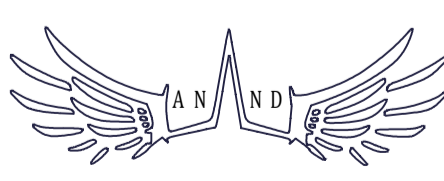
ITEM NO.	PART NAME	DESCRIPTION	MATERIAL	QTY.
1	<b>4 POLE HANGER CLAMP W TYPE.ASSEMBLY</b>	158X29X20	DELTRIN	4
	4 POLE HANGER CLAMP CC	158X29X20	DELTRIN	1
	HEX BOLT	M8, 8X20, END COVER FIXING	M.S.	2
	PLAIN WASHER	19X8.5X1.5	M.S.	2
	HEX NUT	M6	M.S.	2
	SPRING WASHER	M8	SPRING STEEL 4454 GRADE-02	2
2	<b>BUSBAR ASSEMBLY W TYPE</b>	40X40X400, THK-5 MM		4
	AL-W-type	4500X19X16.5	ALUMINIUM	1
	SLEEVE W TYPE	4415X26X22	PVC	1
3	<b>Web-Bracket W TYPE</b>	35X35, THK-5 MM	M.S.	6
	<b>JOINT CLAMP ASSEMBLY W TYPE</b>	70X28X40	G.I	8
4	HEX NUT	M6	M.S.	4
	PLAIN WASHER	M8	M.S.	4
	POWERFEED CLAMP W-TYPE	16.3X22X81	ALUMINIUM	1
	SPRING WASHER M6 W TYPE	M6	SPRING STEEL 4454 GRADE-02	4
	SQUARE HEAD BOLT W- TYPE	18XM6	M.S.	4
	<b>JOINT COVER W-TYPE</b>	42X26X102	DELTRIN	8
5	<b>ANCHOR CLAMP ASSEMBLY W TYPW</b>	28X30X20	DELTRIN	4
	ANCHOR CLAMP W TYPE		DELTRIN	2
	HEX_BOLT	M8X25	M.S.	1
6	HEX NUT	M8	M.S.	1
	PLAIN WASHER	M8	M.S.	1
	SPRING WASHER	M8	SPRING STEEL 4454 GRADE-02	1
7	HEX BOLT	M5X35	M.S.	1
	LOCK NUT	M5	M.S.	1
	<b>CENTER POWERFEED ASSEMBLY W-TYPE</b>	219X105.6X37		4
8	CENTER POWERFEED W-TYPE-1		DELTRIN	2
	NUT	M8	M.S.	2
	PAN HEADED SCREW	SELF THREAD SCREW	M.S.	3
	PAN HEADED SCREW	SELF THREAD SCREW	M.S.	2
	PLAIN WASHER W TYPE	18.5X9X1.5	M.S.	6
	POWER FEED ALU BRACKET	144X37X5.5	ALUMINIUM	1
	GRUMET	Ø 30	RUBBER	2
	POWERFEED CLAMP W-TYPE	16.3X22X81	ALUMINIUM	1
	SPRING WASHER	M8	SPRING STEEL 4454 GRADE-02	6
	SQUARE HEAD BOLT W- TYPE	18XM6	M.S.	4
9	HEX BOLT	M8, 8X20	M.S.	2
	HEX NUT	M6	M.S.	4
	<b>SINGLE POLE HANGER CLAMP W-TYPE ASSM</b>	28X37X19.3		4
	SINGLE POLE HANGER CLAMP W-TYPE			1
	HEX BOLT	M8, 8X20	M.S.	1
10	HEX NUT	M8	M.S.	1
	PLAIN WASHER	M8	M.S.	1
	SPRING WASHER	M8	SPRING STEEL 4454 GRADE-02	1
	<b>EXPANSION JOINT ASSEMBLY W-TYPE</b>	321X80X30		4
	CLAMP EXPANSION W-TYPE			1
	END CLAM EXPANSION	16.5X23.5X22	G.I	6
	DSL_NEW-1	DSL BUSBAR WITH SLEEVE		1
	WASHER-1	18X8X1.5	M.S.	1
	COPPER SLEEVE	20X20	COPPER	4
	COPPER SLEEVE 2	20X59	COPPER	2
11	PLAIN WASHER	M6	M.S.	1
	NUT	M6	M.S.	1
	COPPER-FLAT-COIL 2 W-TYPE		COPPER	2
	COPPER-FLAT-COIL-1 W-TYPE		COPPER	2
	EXPANSION JOINT COVER W-TYPW		DELTRIN	2
	SQUARE HEAD BOLT W- TYPE	18XM6	M.S.	6
	HEX BOLT	M4X10	M.S.	4
	HEX NUT	M4	M.S.	4
	<b>CURRENT COLLECTOR 100 AMP ASSM</b>	230X332		4
	ARM 1	220X15.5X3	M.S.	4
12	LOWER BRACKET	56X73X30	CASTING	1
	LOWER PIN	16X70	M.S.	1
	VERTICAL LEVER CC	50X61X24	CASTING	1
	SPACER PIN	26X Ø 6	M.S.	6
	UPPER BRACKET	108.5X43X10	PLASTIC	2
	VERTICAL STUD	104X Ø 7	M.S.	1
	SHOE HOLDER	108.5X20X40	PLASTIC	1
	CONTACT PATTI	87X47X3	COPPER	1
	SPRING	Ø 13.5X22	SPRING STEEL 4454 GRADE-02	1
	LOWER BRACKET CC 2	70X30X3	M.S.	1
13	HEX BOLT	8X40	M.S.	2
	NUT	M8	M.S.	2
	PLAIN WASHER W TYPE	18.5X9X1.5	M.S.	2
	HEX NUT	M4	M.S.	2
	TENSION SPRING	Ø 15X115	SPRING STEEL 4454 GRADE-02	1
	wire	105 SQ MM, 1mtr		1
	<b>C.C-Bracket 100 AMP</b>	80X60XTHK-6, SQ-25X25X400	M.S.	1
	<b>END CLAMP ASSEMBLY W TYPE</b>			8
	END CLAMP W TYPE			8
	SQUARE HEAD BOLT W- TYPE	18XM6	M.S.	8
14	HEX NUT	M6	M.S.	8
	SPRING WASHER M6 W TYPE	M6	SPRING STEEL 4454 GRADE-02	8
	PLAIN WASHER	M8	M.S.	8
15	<b>END POWER FEED COVER W-TYPE</b>	112X30X35	PVC	3
	<b>END COVER W TYPE</b>	73X39X30	PVC	4
15	<b>TRANSFER CAP ASSM W-TYPE</b>			1
	HEX BOLT	M8X50	M.S.	1
	NUT	M8	M.S.	2
	PLAIN WASHER	M8	M.S.	1
	SPRING WASHER	M8	SPRING STEEL 4454 GRADE-02	1
	TRANSFER CAP BODY W-TYPE	37.5X33.5X89.3		1
TRANSFER CAP M.S. PLATE W-TYPE 2D.PDF	75 X36X6	M.S.	1	

### EXPLODED VIEW



COMPANY NAME:  ANAND SYSTEM ENGINEERING PVT LTD		DO NOT SCALE DRAWING	REVISION:
Email id: info@anandcontrol.in		TITLE: W TYPE (BOLT TYPE) ASSEMBLY 2D	
CONTACT NO: 9137620579		DWG NO:	DATE:
DRWN: SAURABH	CHKD: AJAY	DATE:	SIGNATURE:
APPD:	MFC:	SCALE:	SHEET: 1 OF 1



COMPANY NAME:		ANAND SYSTEM ENGINEERING PVT LTD		DO NOT SCALE DRAWING	REVISION:
		Email id: info@anandcontrol.in CONTACT NO: 9137620579		TITLE: <b>W TYPE (BOLT TYPE) ASSEMBLY 2D</b>	
DATE:	31/10/2024	SIGNATURE:		DWG NO.:	
SCALE:		WEIGHT:		SHEET: 1 OF 1	
DRWN:	SAURABH	MATERIAL:		A	
CHKD:	AJAY				
APPD:					
MFC:					

4

3

2

1

F

F

E

E

D

D

C

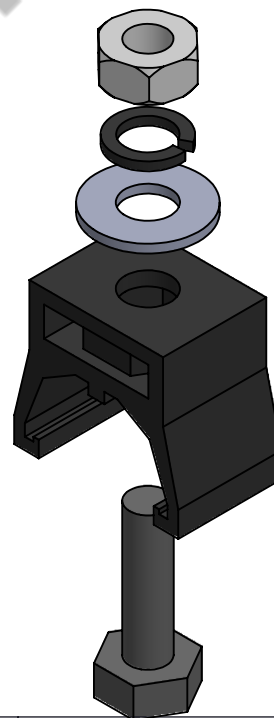
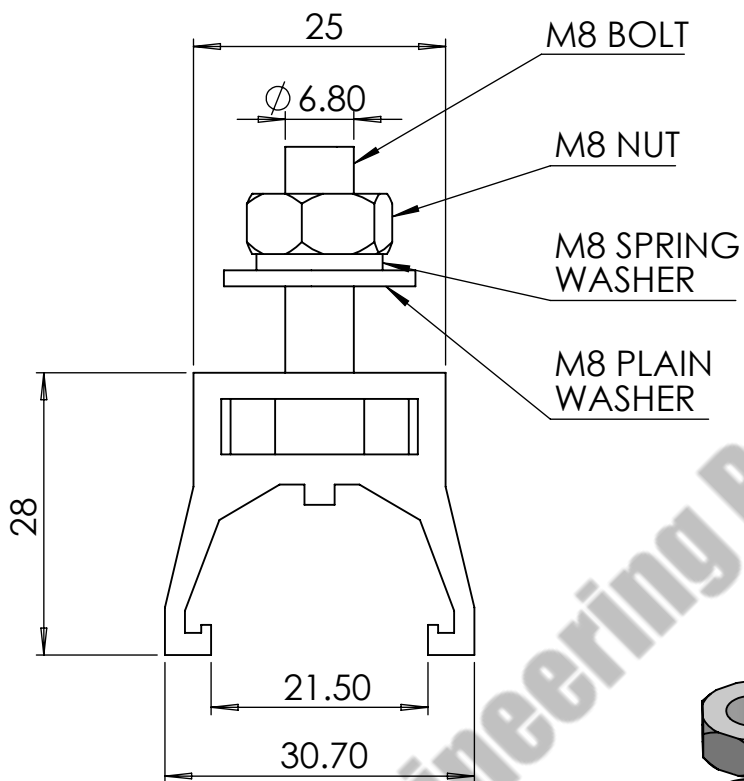
C

B

B

A

A



COMPANY NAME:



ANAND SYSTEM  
ENGINEERING PVT LTD

DO NOT SCALE DRAWING.

REVISION:

TITLE:

SINGLE POLE  
HANGER CLAMP  
W-TYPE ASSM 2D

Email id: info@anandcontrol.in

CONTACT NO: 9137620579

FINISH:

DWG NO.

DATE:

SIGNATURE:

A

DRAWN	SAURABH
CHK'D	
APP'D	
MFG	

MATERIAL:

WEIGHT:

SCALE:

SHEET: 1 OF 1

4

3

2

1

4

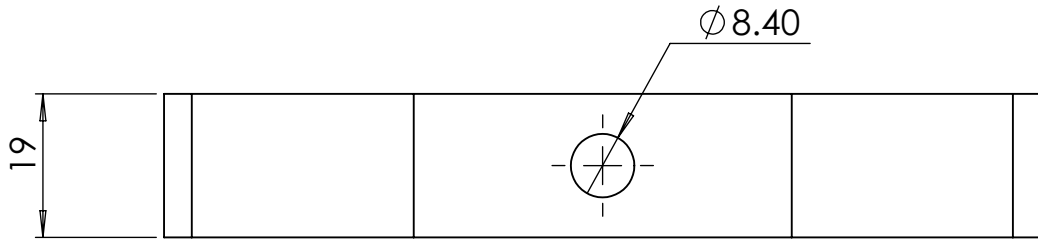
3

2

1

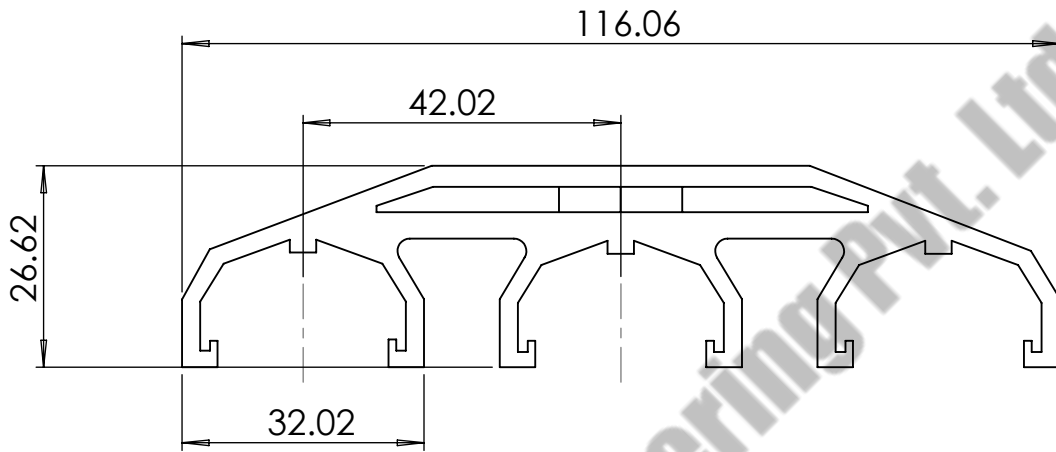
F

F



E

E

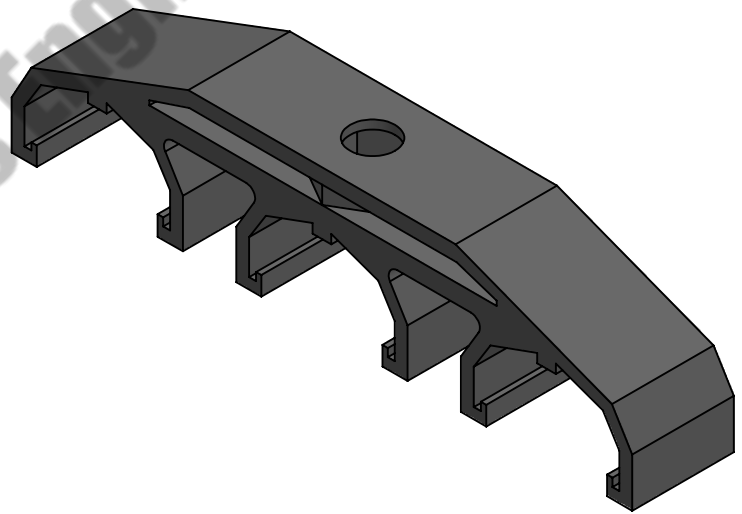


D

D

C

C



B

B

COMPANY NAME:



ANAND SYSTEM  
ENGINEERING PVT LTD

DO NOT SCALE DRAWING.

REVISION:

TITLE:

3 POLE HANGER  
CLAMP W TYPE  
2D

Email id: info@anandcontrol.in

FINISH:

CONTACT NO: 9137620579

DWG NO.

DATE:

SIGNATURE:

A

A

DRAWN	SAURABH
CHK'D	
APP'D	
MFG	

MATERIAL:

WEIGHT:

SCALE:

SHEET: 1 OF 1

4

3

2

1

4

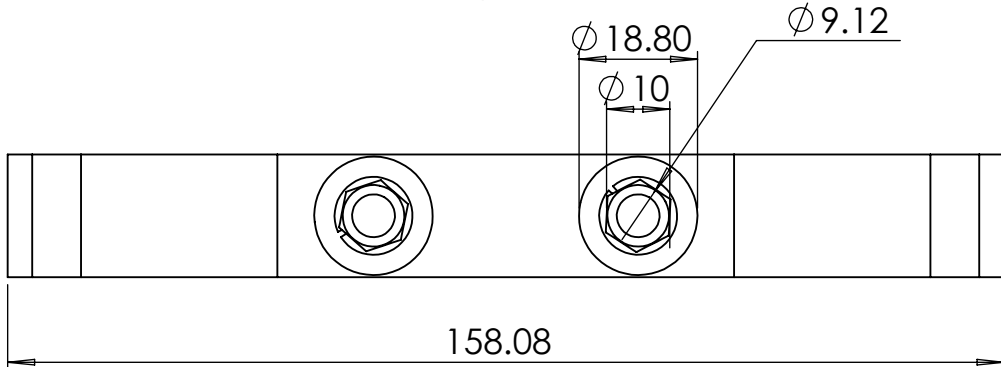
3

2

1

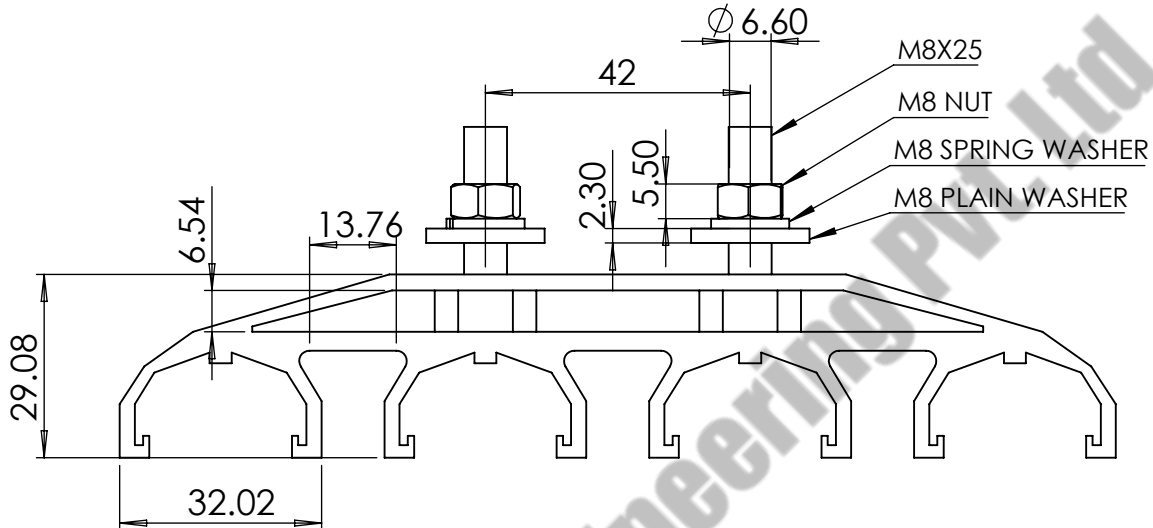
F

F



E

E

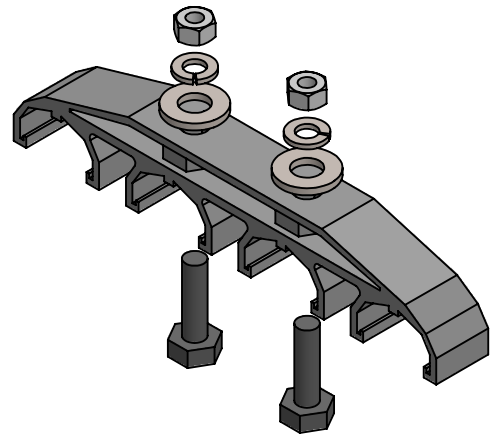


D

D

C

C



B

B

COMPANY NAME:



ANAND SYSTEM ENGINEERING PVT LTD

DO NOT SCALE DRAWING.

REVISION:

TITLE:

4 POLE HANGER CLAMP W TYPE.ASSEMBLY 2D

Email id: info@anandcontrol.in

CONTACT NO: 9137620579

FINISH:

DWG NO.

DATE:

SIGNATURE:

A

A

DRAWN	SAURABH
CHK'D	
APP'D	
MFG	

MATERIAL:

WEIGHT:

SCALE:

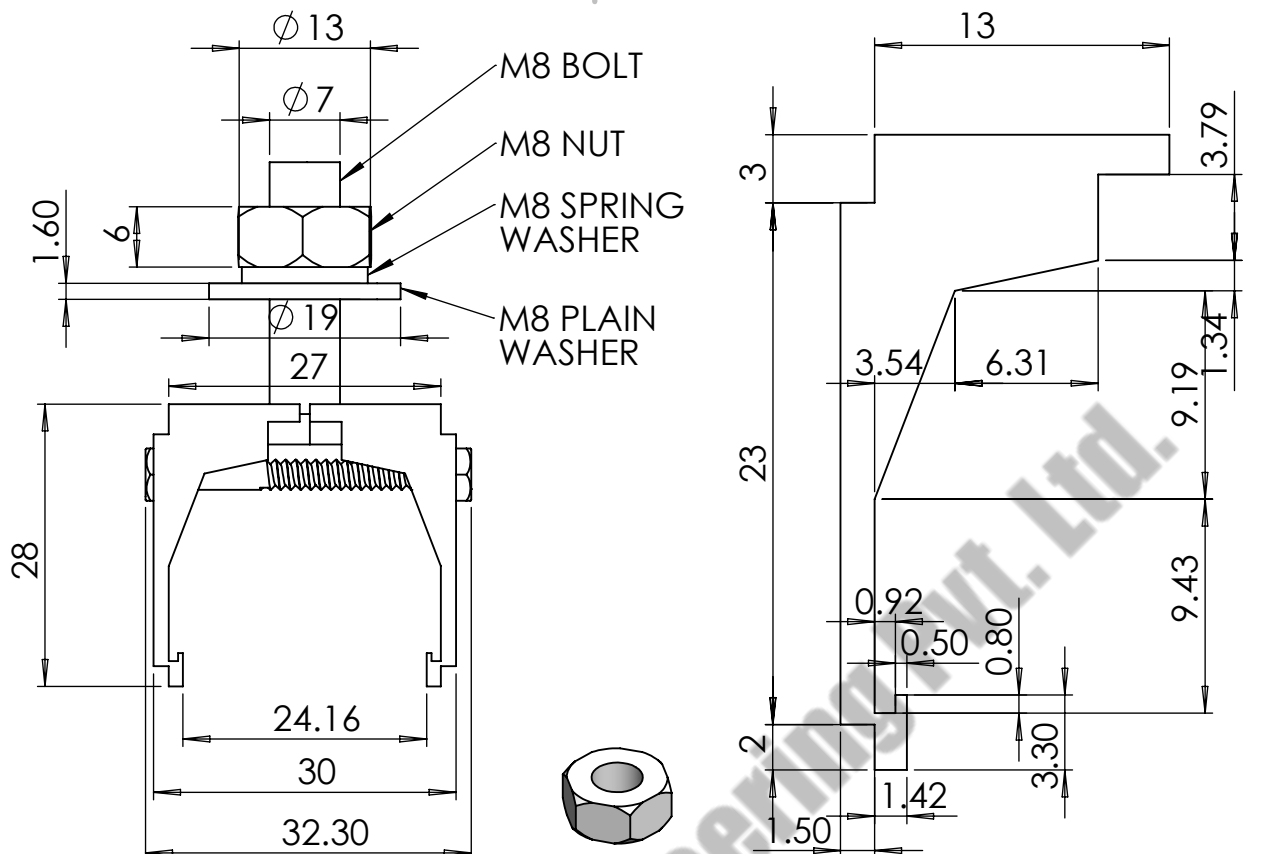
SHEET: 1 OF 1


4

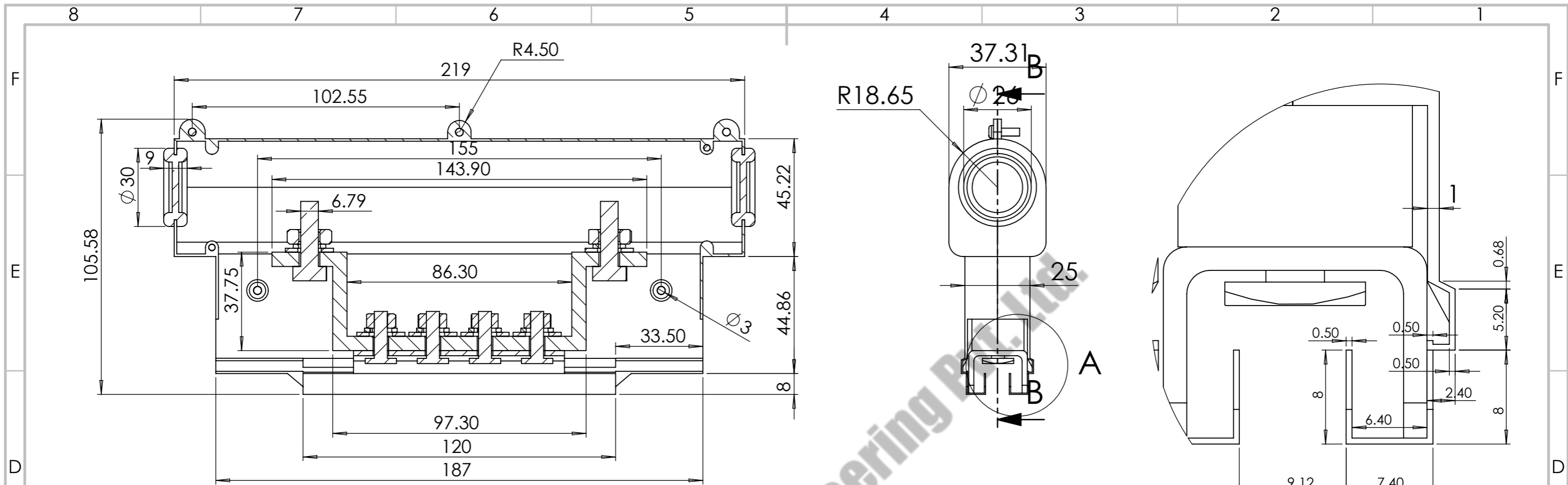
3

2

1

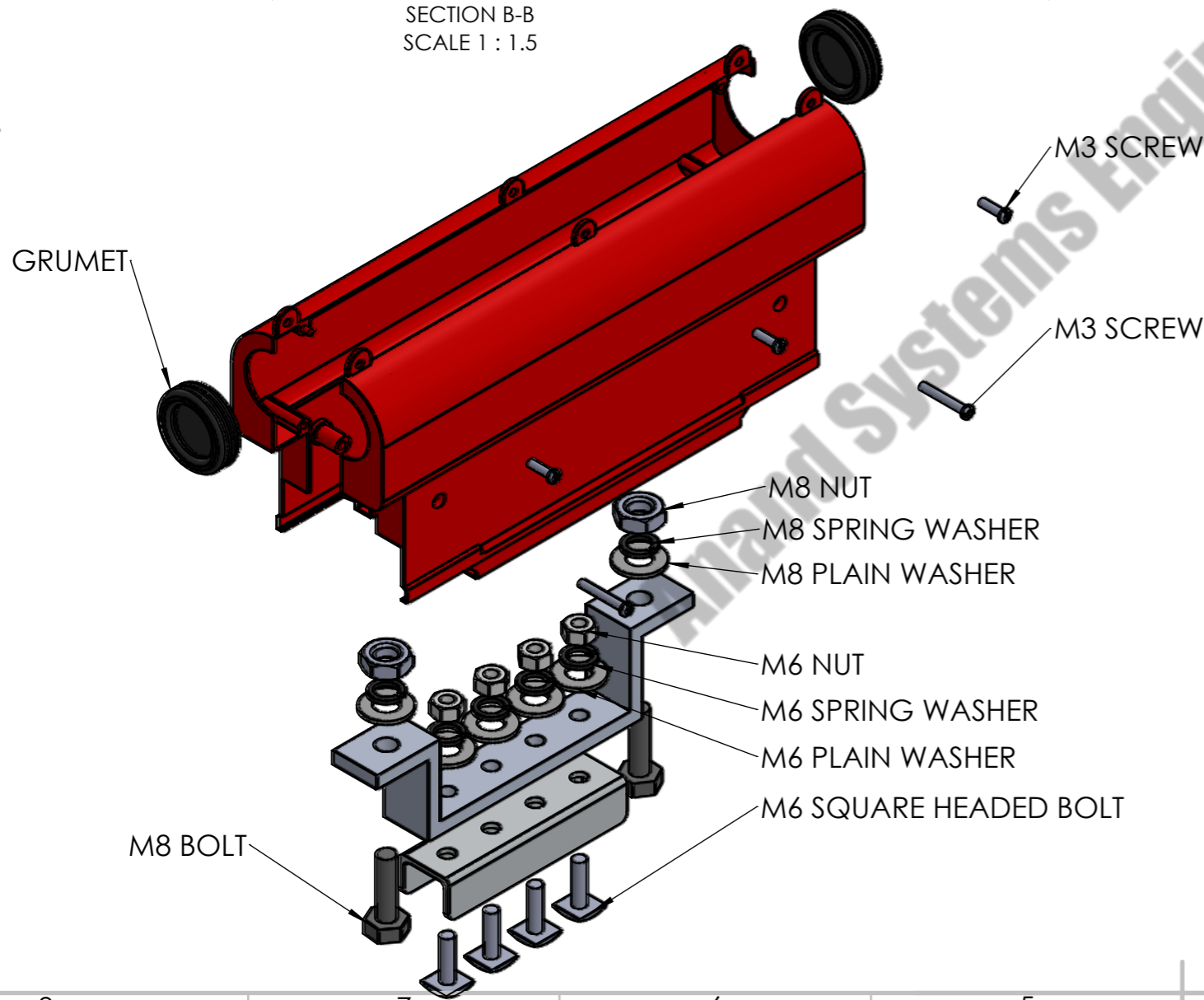



COMPANY NAME:		DO NOT SCALE DRAWING.		REVISION:																	
		ANAND SYSTEM ENGINEERING PVT LTD		TITLE: <b>ANCHOR CLAMP ASSEMBLY W TYPE 2D</b>																	
Email id: info@anandcontrol.in		FINISH:		DWG NO. <b>28X30X20</b>																	
CONTACT NO: 9137620579				DATE: _____ SIGNATURE: _____																	
<table border="1"> <tr><td>DRAWN</td><td>SAURABH</td><td></td><td></td></tr> <tr><td>CHK'D</td><td></td><td></td><td></td></tr> <tr><td>APP'D</td><td></td><td></td><td></td></tr> <tr><td>MFG</td><td></td><td></td><td></td></tr> </table>	DRAWN	SAURABH			CHK'D				APP'D				MFG					MATERIAL:			A
DRAWN	SAURABH																				
CHK'D																					
APP'D																					
MFG																					
		WEIGHT:		SCALE:	SHEET: 1 OF 1																



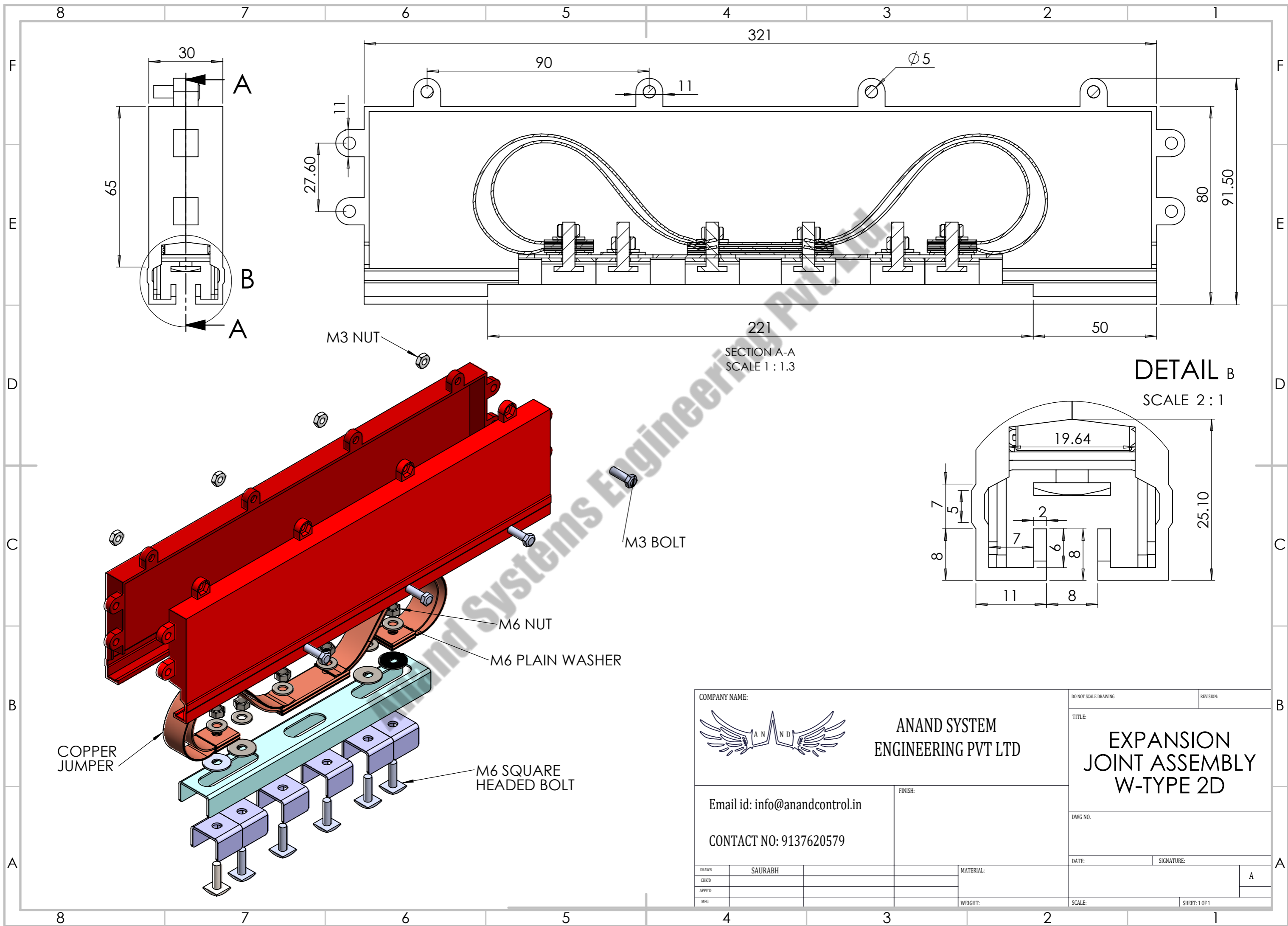
SECTION B-B  
SCALE 1 : 1.5

DETAIL A  
SCALE 3 : 1




COMPANY NAME:		ANAND SYSTEM ENGINEERING PVT LTD		DO NOT SCALE DRAWING:	REVISION:
		Email id: info@anandcontrol.in CONTACT NO: 9137620579		TITLE: CENTER POWERFEED ASSEMBLY W-TYPE 2D	
FINISH:		DWG NO:		219X105.6X37	
DATE:		SIGNATURE:		A	
DRAWN:	SAURABH	MATERIAL:			
CHK'D:		WEIGHT:			
APP'D:		SCALE:	SHEET: 1 OF 1		
MFG:					





SECTION A-A  
SCALE 1 : 1.3

DETAIL B  
SCALE 2 : 1

COMPANY NAME:		ANAND SYSTEM ENGINEERING PVT LTD		DO NOT SCALE DRAWING.	REVISION:
		Email id: info@anandcontrol.in CONTACT NO: 9137620579		TITLE: <b>EXPANSION JOINT ASSEMBLY W-TYPE 2D</b>	
FINISH:		DATE:		SIGNATURE:	
MATERIAL:		SCALE:		SHEET: 1 OF 1	
WEIGHT:		DRAWN: SAURABH		A	
		CHK'D:			
		APP'D:			
		MFG:			

4

3

2

1

F

F

E

E

D

D

C

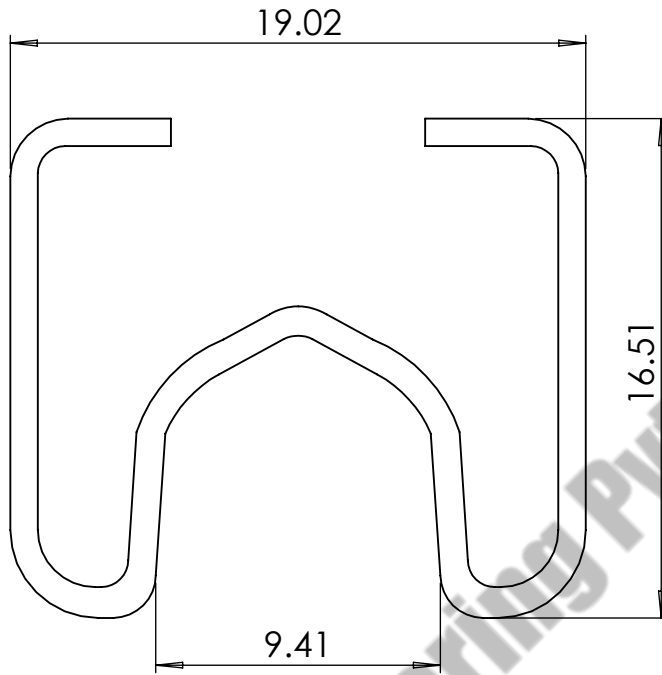
C

B

B

A

A



COMPANY NAME:



**ANAND SYSTEM  
ENGINEERING PVT LTD**

DO NOT SCALE DRAWING.

REVISION:

TITLE:

**AL-CU W TYPE  
DSL 2D**

Email id: info@anandcontrol.in

CONTACT NO: 9137620579

FINISH:

DWG NO.

DATE:

SIGNATURE:

A

DRAWN

SAURABH

CHK'D

APP'D

MFG

MATERIAL:

WEIGHT:

SCALE:

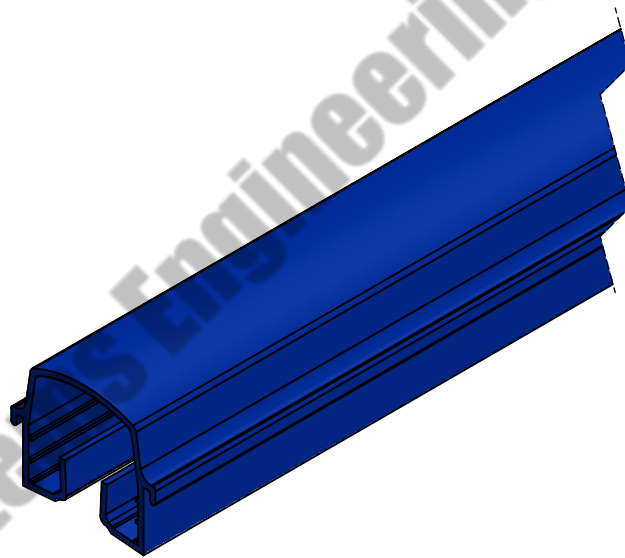
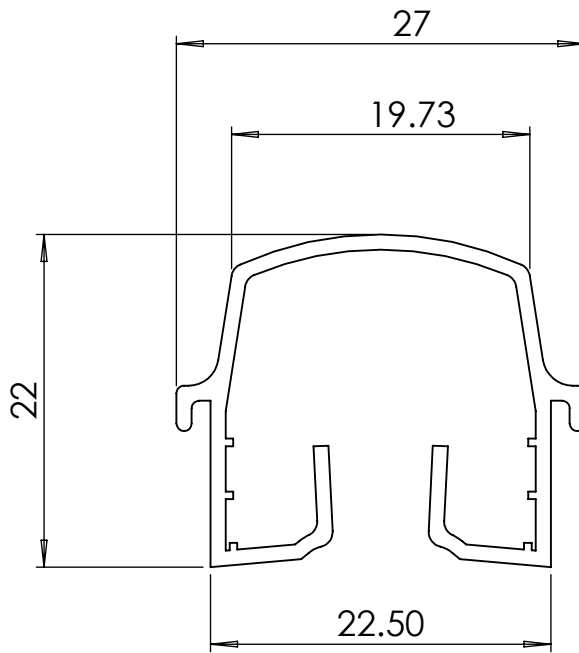
SHEET: 1 OF 1

4

3

2

1



COMPANY NAME:



ANAND SYSTEM  
ENGINEERING PVT LTD

DO NOT SCALE DRAWING.

REVISION:

TITLE:

SLEEVE W  
TYPE 2D

Email id: info@anandcontrol.in

CONTACT NO: 9137620579

FINISH:

DWG NO.

DATE:

SIGNATURE:

DRAWN	SAURABH
CHK'D	
APP'D	
MFG	

MATERIAL:

WEIGHT:

SCALE:

SHEET: 1 OF 1

A

4

3

2

1

F

F

E

E

D

D

C

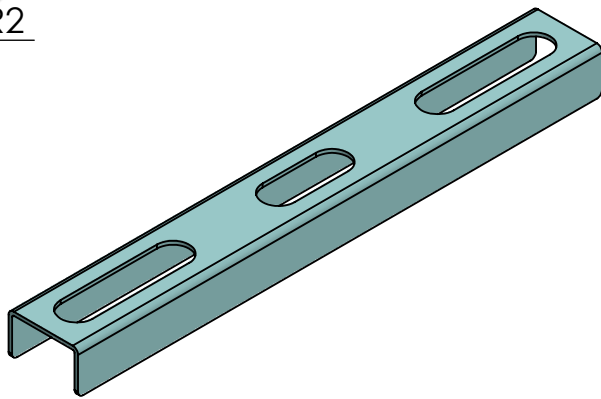
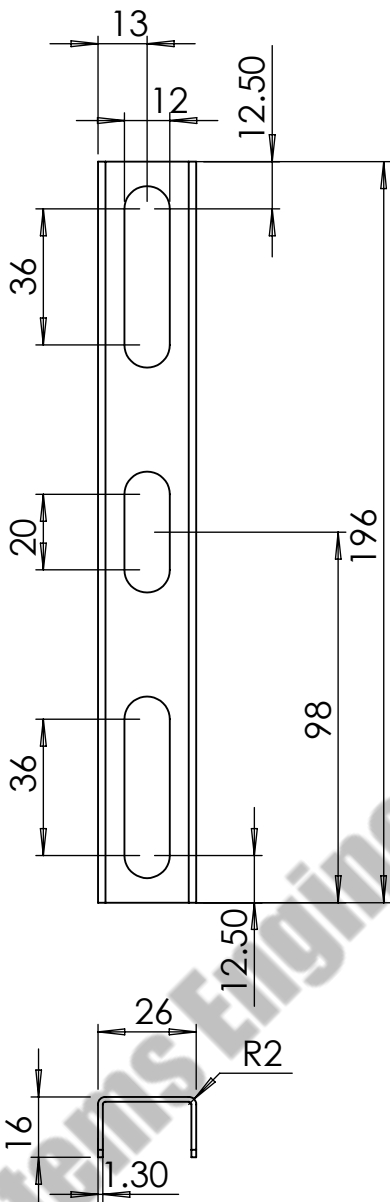
C

B

B

A

A



COMPANY NAME:



ANAND SYSTEM  
ENGINEERING PVT LTD

DO NOT SCALE DRAWING.

REVISION:

TITLE:

CLAMP  
EXPANSION  
W-TYPE 2D

Email id: info@anandcontrol.in

CONTACT NO: 9137620579

FINISH:

DWG NO.

DATE:

SIGNATURE:

A

DRAWN	SAURABH
CHK'D	
APP'D	
MFG	

MATERIAL:

WEIGHT:

SCALE:

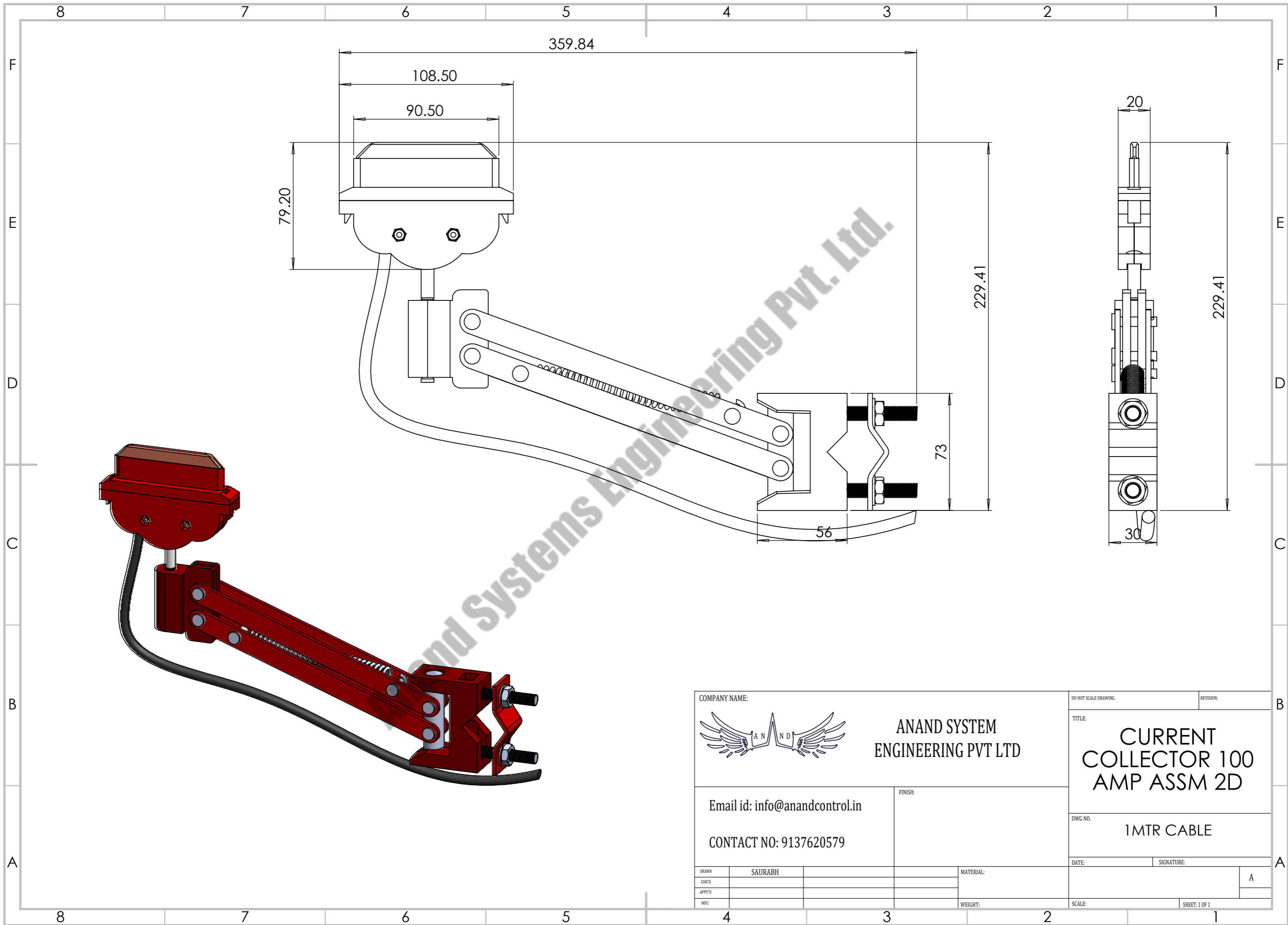
SHEET: 1 OF 1


4

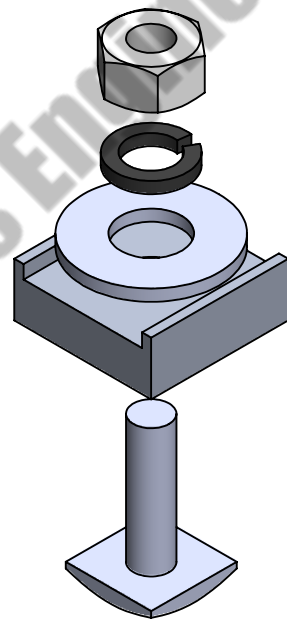
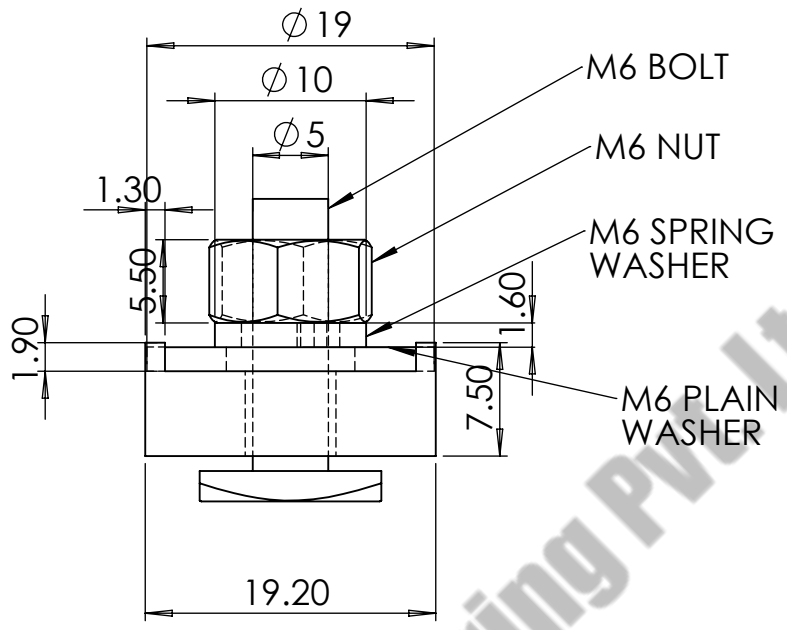
3

2

1



COMPANY NAME:		ANAND SYSTEM ENGINEERING PVT LTD		DO NOT SCALE DRAWING.	REVISION:
		<p>Email id: info@anandcontrol.in</p> <p>CONTACT NO: 9137620579</p>		<p>TITLE:</p> <p><b>CURRENT COLLECTOR 100 AMP ASSM 2D</b></p>	
FINISH:		MATERIAL:		<p>DWG NO.</p> <p>1MTR CABLE</p>	
DATE:	SIGNATURE:			A	
SCALE:	SHEET: 1 OF 1				



COMPANY NAME:



**ANAND SYSTEM  
ENGINEERING PVT LTD**

DO NOT SCALE DRAWING.

REVISION:

TITLE:

**END CLAMP  
ASSEMBLY W  
TYPE 2D**

Email id: info@anandcontrol.in

CONTACT NO: 9137620579

FINISH:

DWG NO.

DATE:

SIGNATURE:

DRAWN	SAURABH
CHK'D	
APP'D	
MFG	

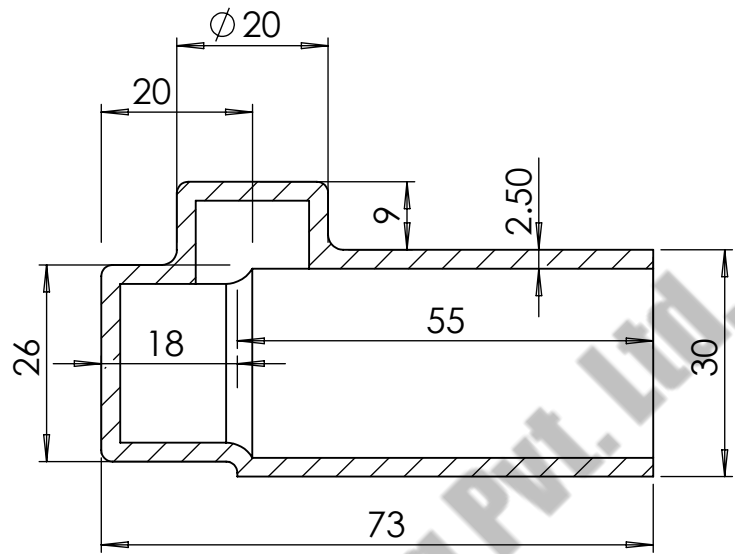
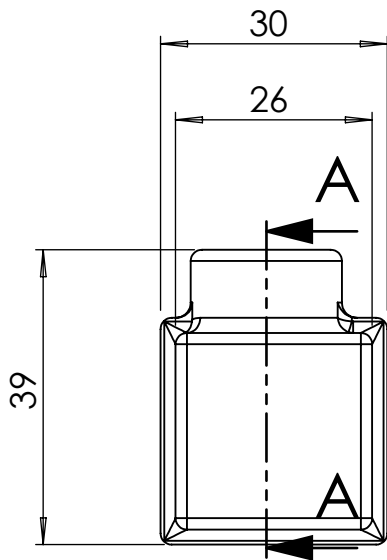
MATERIAL:

WEIGHT:

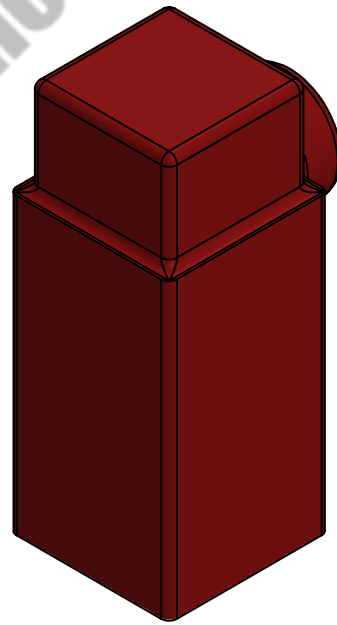
SCALE:

SHEET: 1 OF 1

A



SECTION A-A



COMPANY NAME:



**ANAND SYSTEM  
ENGINEERING PVT LTD**

DO NOT SCALE DRAWING.

REVISION:

TITLE:

**END COVER  
W TYPE 2D**

Email id: info@anandcontrol.in

CONTACT NO: 9137620579

FINISH:

DWG NO.

DATE:

SIGNATURE:

DRAWN	SAURABH
CHK'D	
APP'D	
MFG	

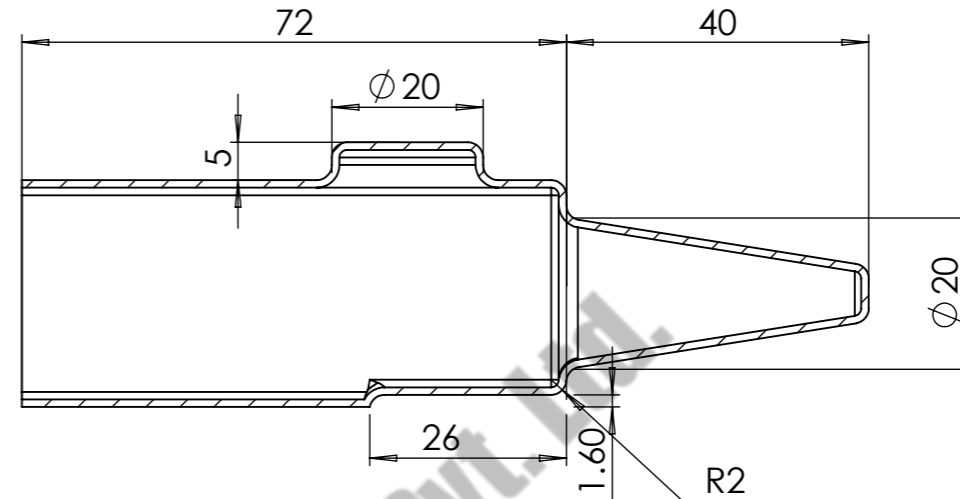
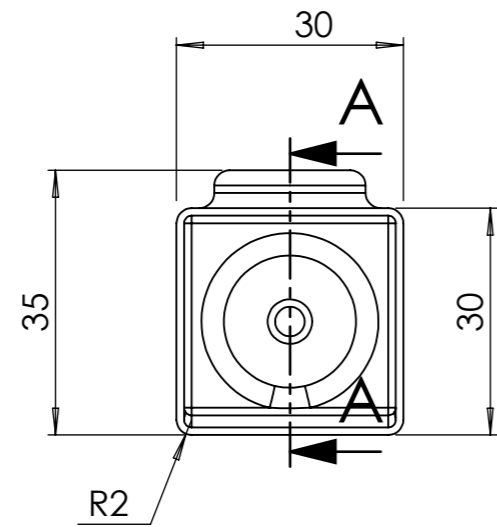
MATERIAL:

WEIGHT:

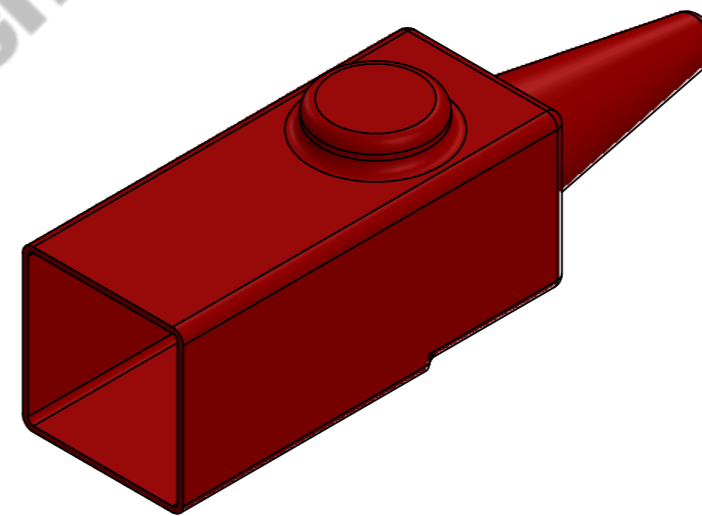
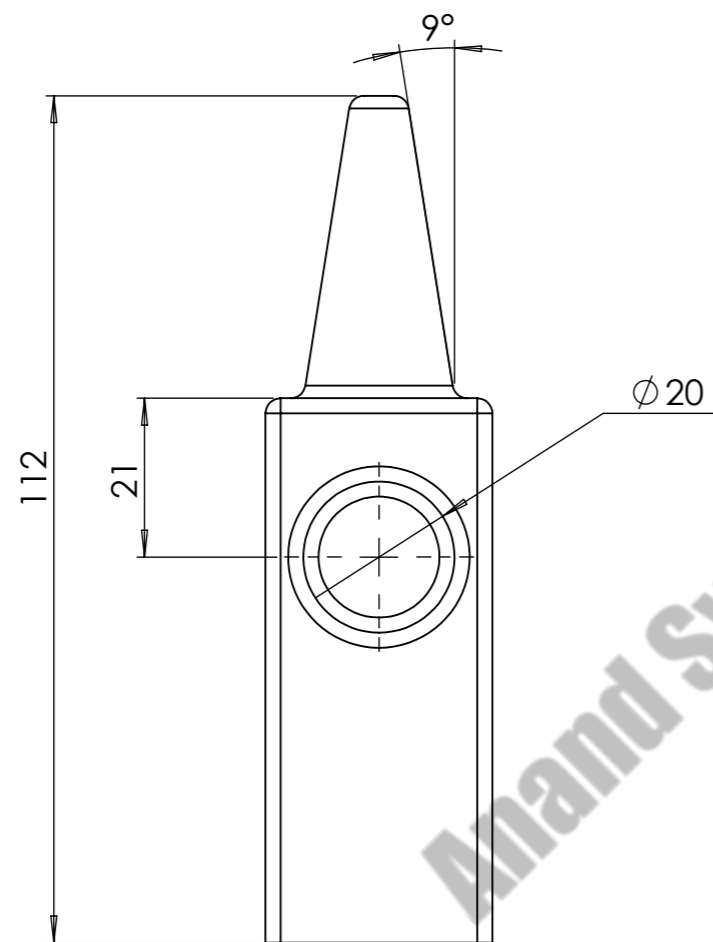
SCALE:

SHEET: 1 OF 1

A



SECTION A-A



COMPANY NAME:



**ANAND SYSTEM  
ENGINEERING PVT LTD**

Email id: [info@anandcontrol.in](mailto:info@anandcontrol.in)

CONTACT NO: 9137620579

FINISH:

DO NOT SCALE DRAWING.

REVISION:

TITLE:

**END POWER FEED  
W-TYPE 2D**

DWG NO.

DATE:

SIGNATURE:

DRAWN	SAURABH		
CHK'D			
APPV'D			
MFG			

MATERIAL:

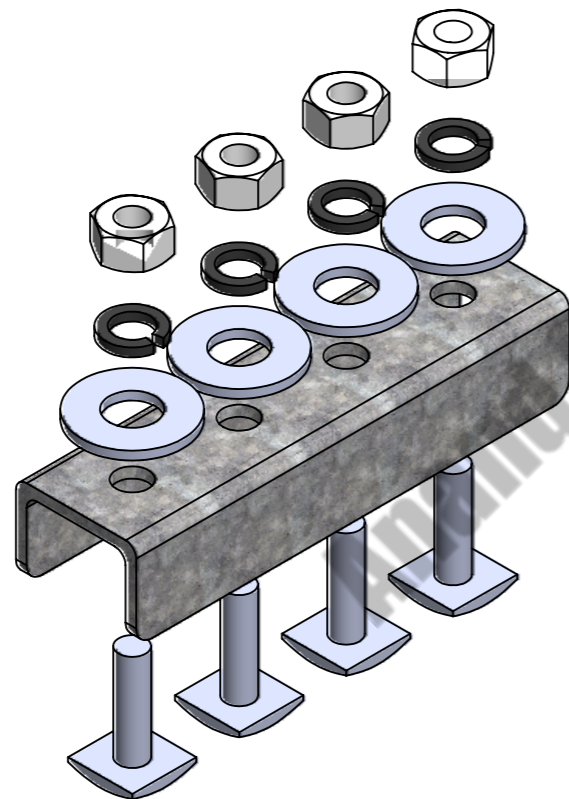
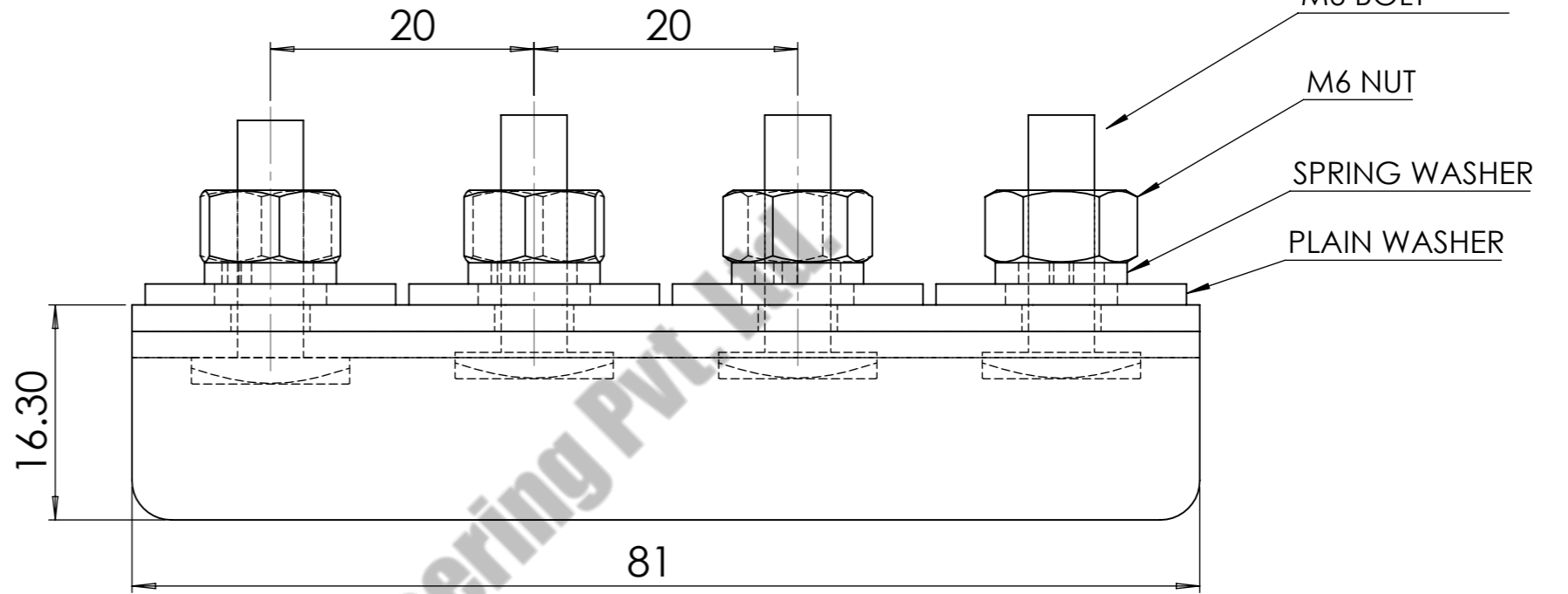
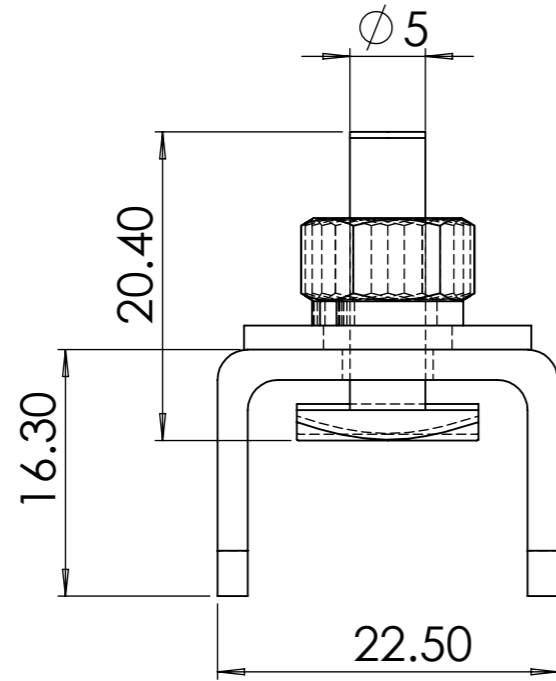
WEIGHT:


SCALE:

SHEET: 1 OF 1

A





COMPANY NAME:		ANAND SYSTEM ENGINEERING PVT LTD		DO NOT SCALE DRAWING.	REVISION:
		Email id: info@anandcontrol.in CONTACT NO: 9137620579		TITLE: <b>JOINT CLAMP ASSEMBLY W TYPE 2D GI</b>	
FINISH:		DATE:		SIGNATURE:	
DRAWN	SAURABH	MATERIAL:		A	
CHK'D		WEIGHT:		SCALE:	
APPY'D		SCALE:		SHEET: 1 OF 1	
MFG		SCALE:		SHEET: 1 OF 1	

4 3 2 1

F

F

E

E

D

D

C

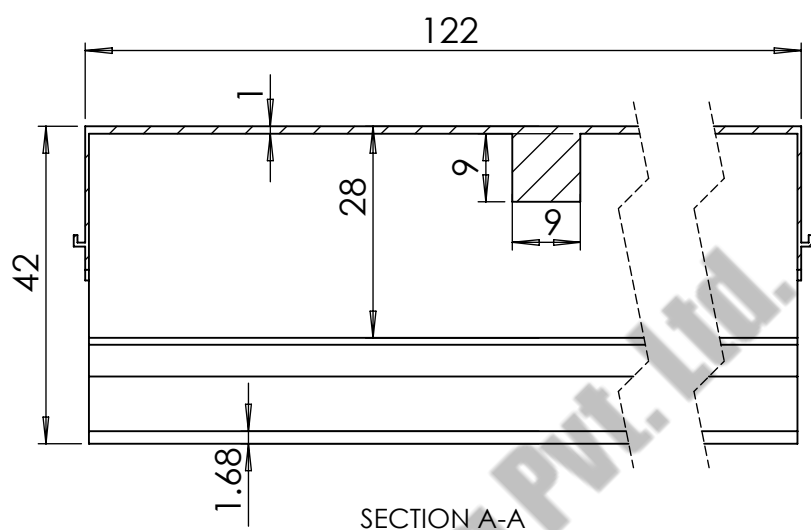
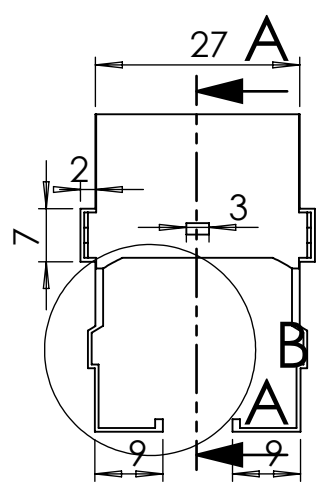
C

B

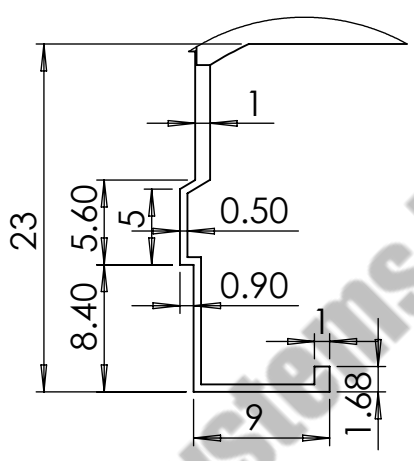
B

A

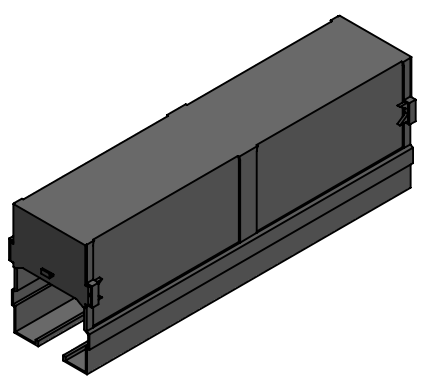
A



SECTION A-A  
SCALE 1 : 1



DETAIL B  
SCALE 2 : 1



COMPANY NAME:



**ANAND SYSTEM  
ENGINEERING PVT LTD**

DO NOT SCALE DRAWING.

REVISION:

TITLE:

**JOINT COVER  
W-TYPE 2D**

Email id: info@anandcontrol.in

CONTACT NO: 9137620579

FINISH:

DWG NO.

DATE:

SIGNATURE:

DRAWN	SAURABH
CHK'D	
APP'D	
MFG	

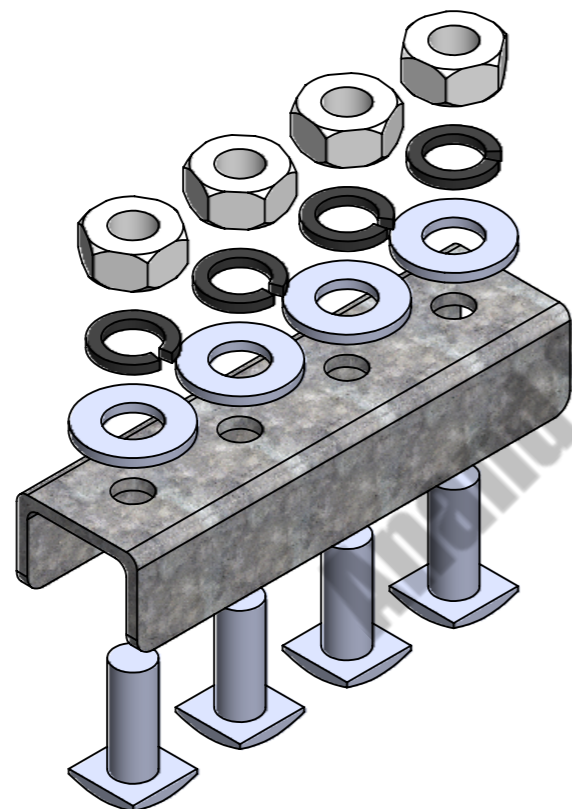
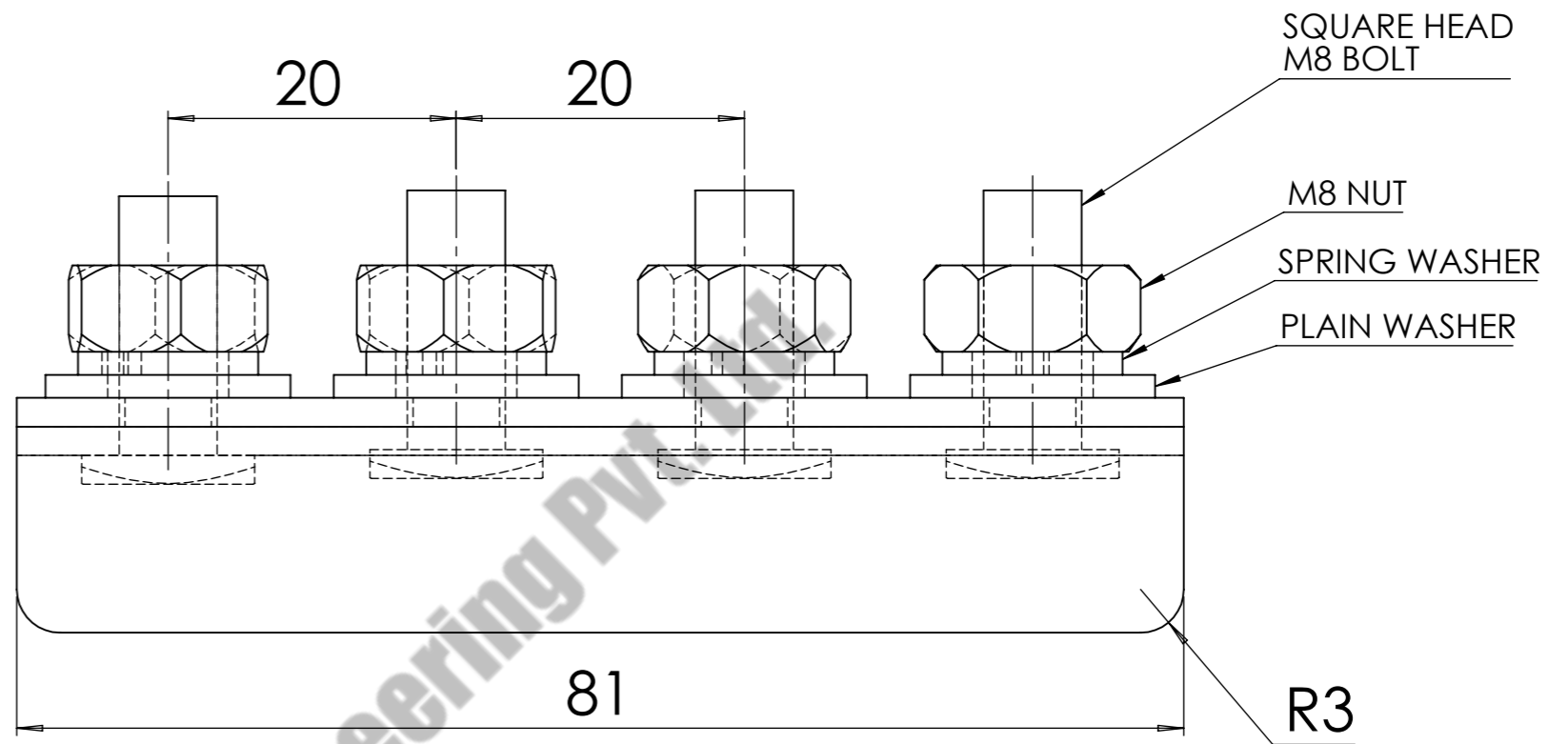
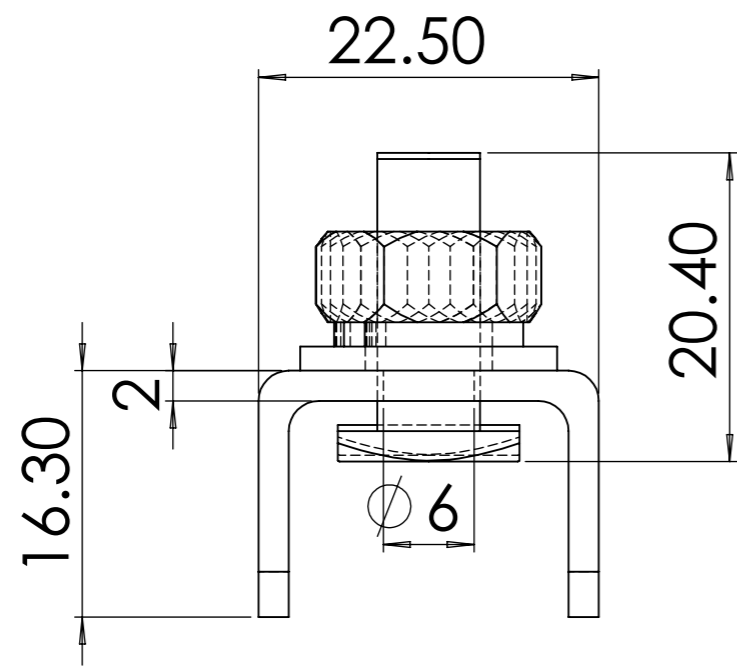
MATERIAL:


WEIGHT:

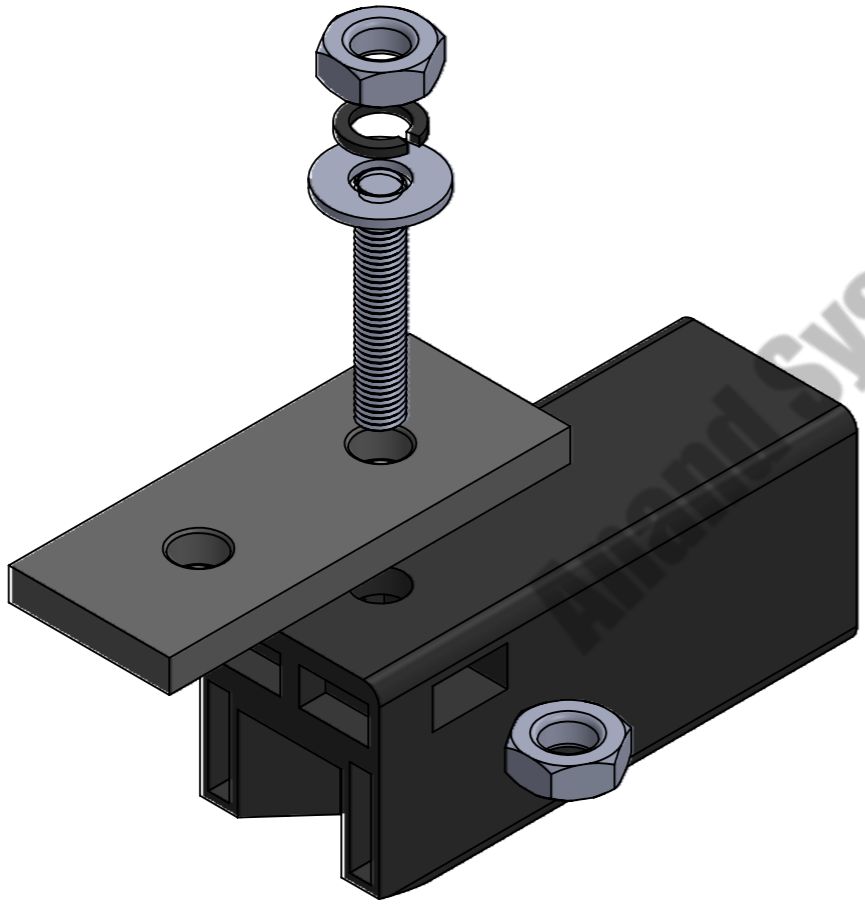
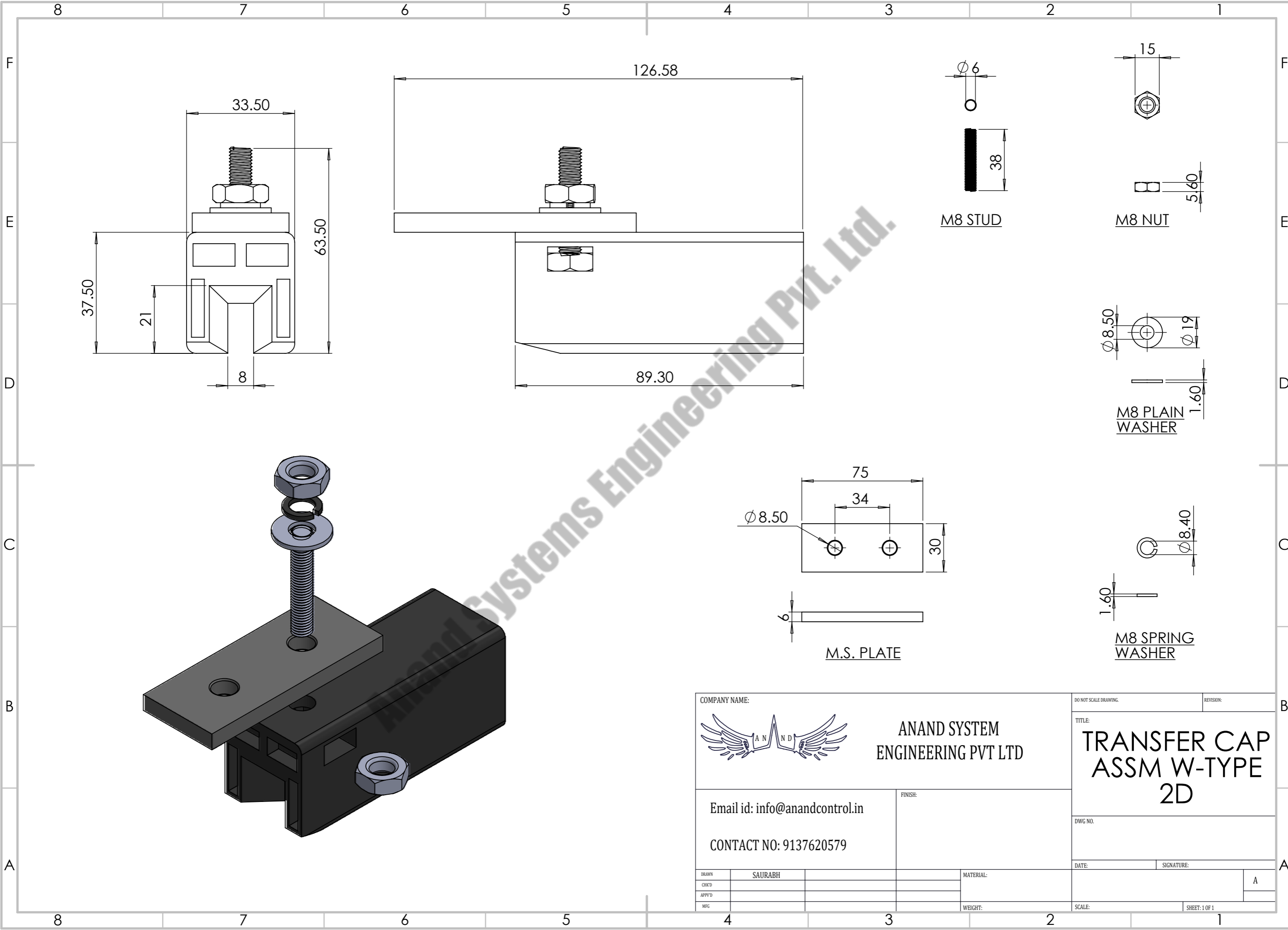
SCALE:


SHEET: 1 OF 1

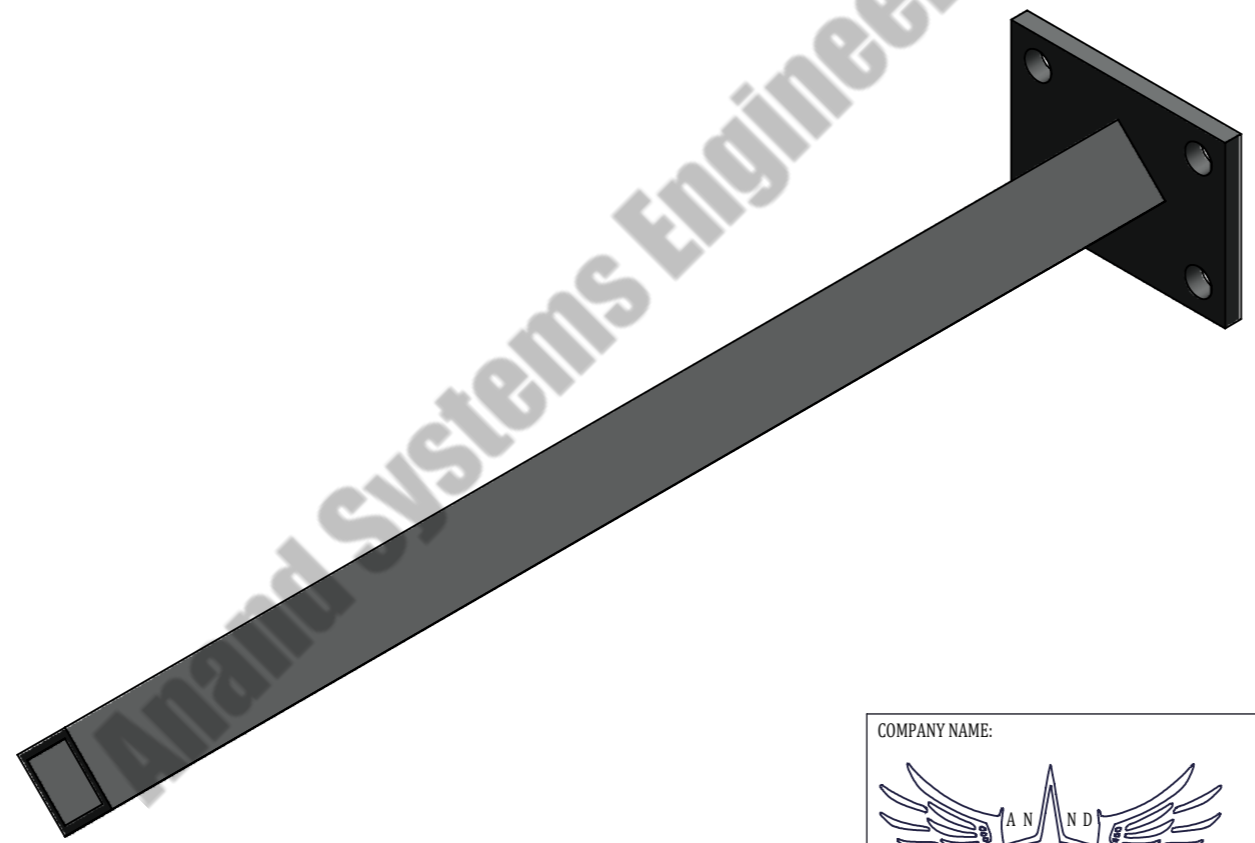
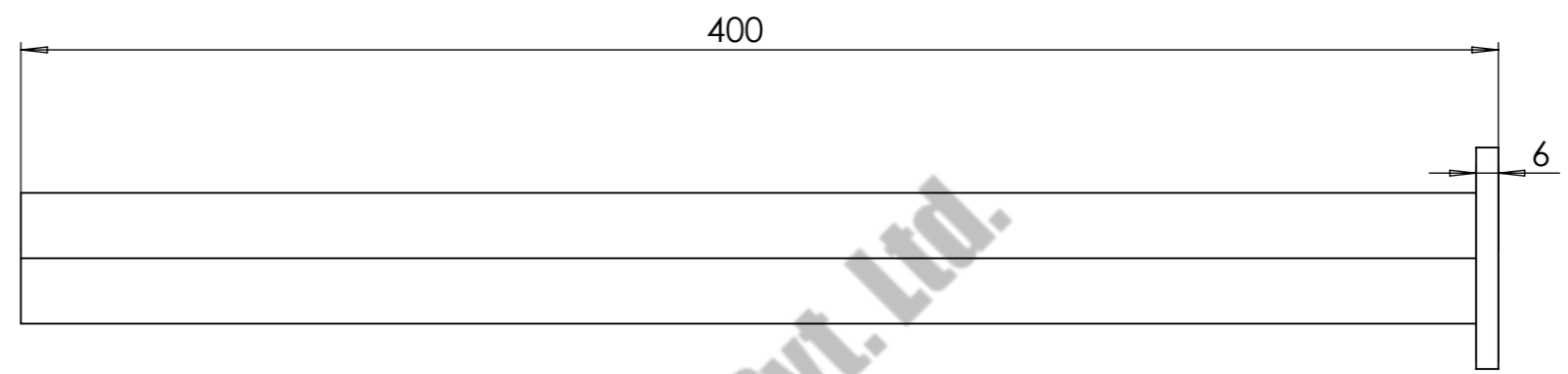
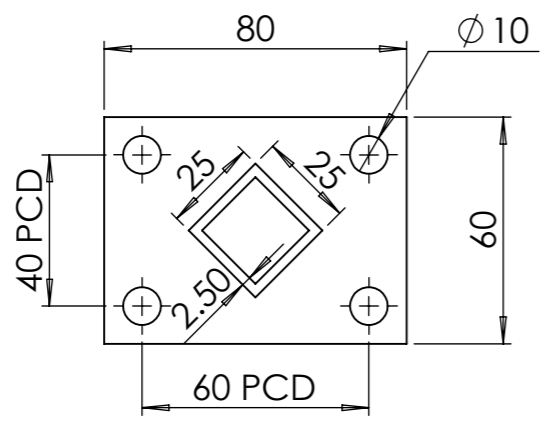
4 3 2 1




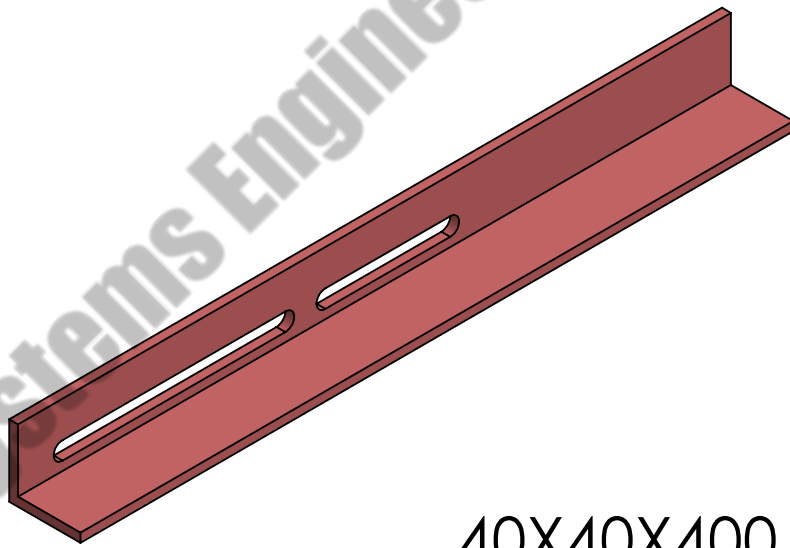
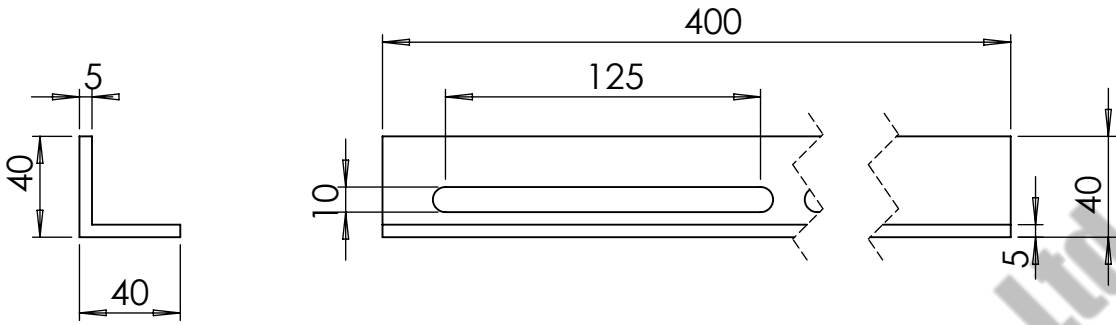
COMPANY NAME:		ANAND SYSTEM ENGINEERING PVT LTD		DO NOT SCALE DRAWING.	REVISION:
		Email id: info@anandcontrol.in CONTACT NO: 9137620579		TITLE: <b>POWER FEED CLAMP ASSEMBLY W TYPE 2D GI</b>	
FINISH:		MATERIAL:		DWG NO.	
DATE:		SIGNATURE:		A	
DRAWN: SAURABH	CHK'D:	APPY'D:	MFG:	SCALE:	SHEET: 1 OF 1



COMPANY NAME:		ANAND SYSTEM ENGINEERING PVT LTD		DO NOT SCALE DRAWING.	REVISION:
		Email id: info@anandcontrol.in CONTACT NO: 9137620579		TITLE: <b>TRANSFER CAP ASSM W-TYPE 2D</b>	
FINISH:		DATE:		SIGNATURE:	
DRAWN	SAURABH	MATERIAL:		A	
CHK'D		WEIGHT:		SCALE:	
APPY'D		SHEET: 1 OF 1			
MFG					



COMPANY NAME:		ANAND SYSTEM ENGINEERING PVT LTD		DO NOT SCALE DRAWING.	REVISION:
		<p>Email id: info@anandcontrol.in</p> <p>CONTACT NO: 9137620579</p>		<p>TITLE:</p> <h1>C.C-Bracket 100 AMP</h1>	
FINISH:		DATE:		SIGNATURE:	
DRAWN	SAURABH	MATERIAL:	A		
CHK'D					
APP'VD					
MFG		WEIGHT:	SCALE:	SHEET: 1 OF 1	



40X40X400, THK-5  
MM

COMPANY NAME:



ANAND SYSTEM  
ENGINEERING PVT LTD

DO NOT SCALE DRAWING.

REVISION:

TITLE:

Web-Bracket  
400 W TYPE 2D

Email id: info@anandcontrol.in

CONTACT NO: 9137620579

FINISH:

DWG NO.

DATE:

SIGNATURE:

DRAWN	SAURABH
CHK'D	
APP'D	
MFG	

MATERIAL:

WEIGHT:

SCALE:

SHEET: 1 OF 1

A