

4

3

2

1

F

F

E

E

D

D

C

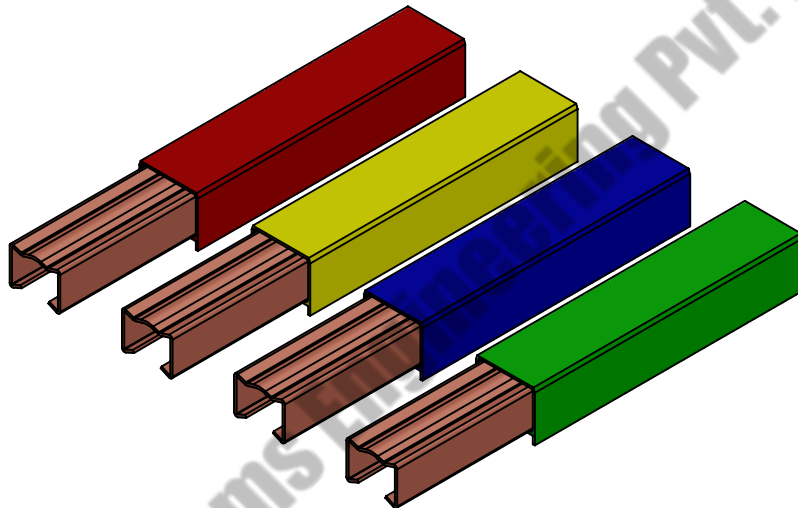
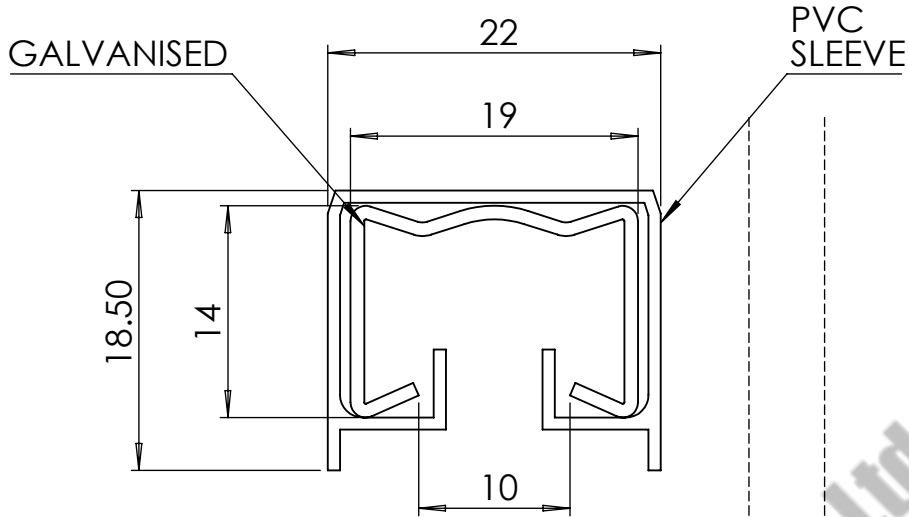
C

B

B

A

A



*160AMP-CU- 04 BAR PIN
TYPE (M)
RED YELLOW BLUE GREEN
COLOUR PVC*

Anand Systems Engineering Pvt. Ltd.

COMPANY NAME:



**ANAND SYSTEM
ENGINEERING PVT LTD**

DO NOT SCALE DRAWING.

REVISION:

TITLE:

**SAFELINK 160Amp
RYBG CU M-TYPE
2D**

Email id: info@anandcontrol.in

CONTACT NO: 9137620579

FINISH:

DWG NO.

DATE:

SIGNATURE:

DRAWN	SAURABH
CHK'D	
APP'D	
MFG	

MATERIAL:

WEIGHT:

SCALE:

SHEET: 1 OF 1

4

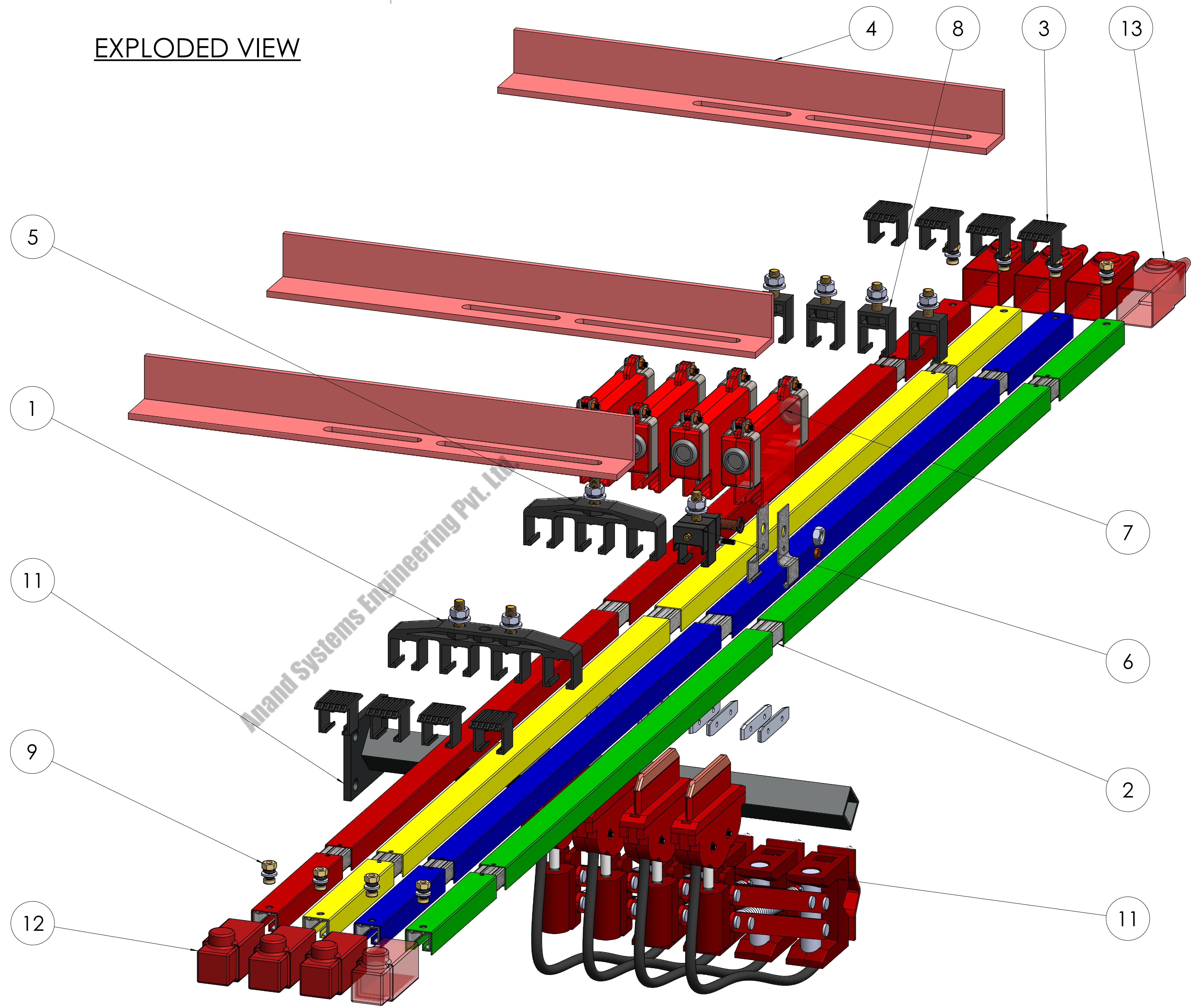
3

2

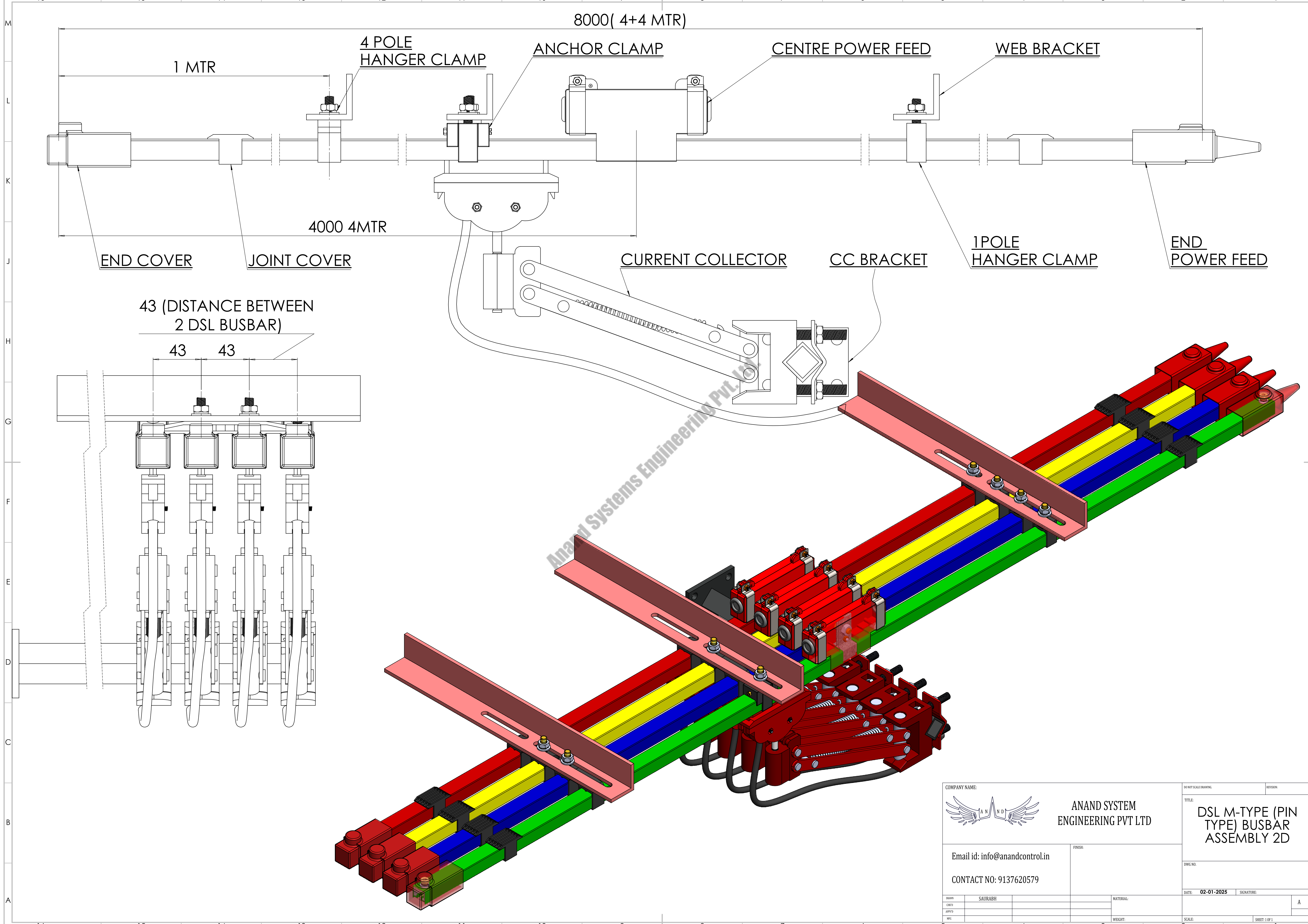
1

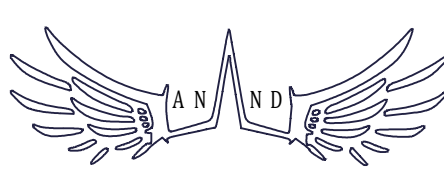
ITEM NO.	PART NAME	DESCRIPTION	MATERIAL	QTY.
1	4 POLE HANGER CLAMP ASSM M-TYPE	151X57X20	DELRIN	1
	4 POLE HANGER CLAMP M-TYPE	151X37X20	DELRIN	1
	HEX BOLT	M8, 8X25	M.S.	2
	M8 PLAIN WASHER	17X8.4X1.5	M.S.	2
	HEX NUT	M8	M.S.	2
	SPRING WASHER	M8	SPRING STEEL 4454 GRADE-02	2
2	DSL BUSBAR ASSM M TYPE	4 MTR	GALVANISED	4
	DSL BUSBAR GI M-TYPE	4MTR	PVC	1
	DSL BUSBAR SLEEVE M-TYPE	4MTR	PVC	1
3	JOINT COVER M-TYPE	40X26X25	DELRIN	8
4	Web-Bracket M-TYPE	40X40X400, THK-5 MM	M.S.	3
5	3 POLE HANGER CLAMP ASSM M-TYPE	109X57X20	DELRIN	1
	3 POLE HANGER CLAMP M-TYPE	109X37X20	DELRIN	1
	HEX BOLT	M8, 8X25	M.S.	1
	M8 PLAIN WASHER	17X8.4X1.5	M.S.	1
	HEX NUT	M8	M.S.	1
	SPRING WASHER	M8	SPRING STEEL 4454 GRADE-02	1
6	ANCHOR CLAMP ASSM M-TYPE	25X34X37	DELRIN	1
	ANCHOR CLAMP M-TYPE	25X34X17	DELRIN	1
	ANCHOR CLAMP PART 1	25X20X10	DELRIN	2
	BOLT 3X40	M3 X40	M.S.	1
	HEX NUT	M3	M.S.	1
	HEX BOLT	M8, 8X25	M.S.	1
	M8 PLAIN WASHER	17X8.4X1.5	M.S.	1
	HEX NUT	M8	M.S.	1
	SPRING WASHER	M8	SPRING STEEL 4454 GRADE-02	1
7	CENTRE POWER FEED M-TYPE	124X63X24	PPCP	4
	MOULDING CENTRE POWER FEED COVER	124X63X24	PPCP	2
	GI-CLAMP	60X18.5	GALVANISED	2
	SS CLAMP	52X27, 1 THK	S.S	2
	GRUMET	GRUMET 3/4"	RUBBER	2
	HEX BOLT	M8, 8X15	M.S.	1
	HEX NUT	M8	M.S.	1
	SPRING WASHER	M8	SPRING STEEL 4454 GRADE-02	1
	HEX NUT	M4	M.S.	3
	PAN HEADED SCREW	4X10	M.S.	1
	PAN HEADED SCREW	4X15	M.S.	2
8	SINGLE POLE HANGER CLAMP ASSM M-TYPE	25X55X17	DELRIN	4
	SINGLE POLE HANGER CLAMP	25X34X17	DELRIN	1
	HEX BOLT	M8, 8X25	M.S.	1
	M8 PLAIN WASHER	17X8.4X1.5	M.S.	1
	HEX NUT	M8	M.S.	1
	SPRING WASHER	M8	SPRING STEEL 4454 GRADE-02	1
9	END POWER FEED ASSM M-TYPE.SLDPRT			8
	BOLT	M6X15	M.S.	1
	HEX NUT	M6	M.S.	1
	PLAIN WASHER M6	13X6.5X1.5	M.S.	1
	SPRING WASHER	M6	SPRING STEEL 4454 GRADE-02	1
11	CURRENT COLLECTOR ASSM	60,100,125,250 AMP		4
	ARM 1	220X16X3	M.S.	4
	LOWER BRACKET	56X73X30	CASTING	1
	LOWER PIN	16X70	M.S.	1
	VERTICAL LEVER CC	50X61X24	PLASTIC	1
	SPACER PIN	26X Ø 6	M.S.	6
	UPPER BRACKET	108.5X43X10	PLASTIC	2
	VERTICAL STUD	104X Ø 7	M.S.	1
	SHOE HOLDER	108.5X20X40	PLASTIC	1
	CONTACT PATTI	87X47X3	COPPER	1
	SPRING	Ø 13.5X22	SPRING STEEL 4454 GRADE-02	1
	LOWER BRACKET CC 2	70X30X3	M.S.	1
	HEX BOLT	8X40	M.S.	2
	PLAIN WASHER W TYPE	18.5X9X1.5	M.S.	2
	HEX NUT	M4	M.S.	2
	TENSION SPRING	Ø 15X115	SPRING STEEL 4454 GRADE-02	1
	wire	105 SQ MM, 1mtr		1
	PAN HEADED SCREW	4X15	M.S.	2
	NUT	M6	M.S.	2
11	C.C-Bracket	80X60XTHK-5, SQ-25X25X400	M.S.	1
12	END COVER M-TYPE	L-73, SQ30X30	PVC	4
13	END POWER FEED COVER M-TYPE	L-102, SQ30X30	PVC	4
14	JOINT CLAMP PIN	60X12X3	GALVANISED	8

EXPLODED VIEW



COMPANY NAME:		ANAND SYSTEM ENGINEERING PVT LTD		DO NOT SCALE DRAWING	REVISION:
Email id: info@anandcontrol.in		FINSISE:		TITLE: DSL M-TYPE (PIN TYPE) BUSBAR ASSEMBLY 2D	
CONTACT NO: 9137620579		DATE: 02-01-2025		SIGNATURE:	
DRWN: SAURABH	CHKD:	APPRD:	MFC:	MATERIAL:	A
SCALE: 1 OF 1			SHEET: 1 OF 1		



COMPANY NAME:		ANAND SYSTEM ENGINEERING PVT LTD		DO NOT SCALE DRAWING	REVISION:
		Email id: info@anandcontrol.in CONTACT NO: 9137620579		TITLE:	DSL M-TYPE (PIN TYPE) BUSBAR ASSEMBLY 2D
DATE:	02-01-2025	SIGNATURE:		DWG NO:	
DRAWN:	SAURABH	MATERIAL:		SCALE:	1 OF 1
CHECK:		WEIGHT:			
APPRO:					
MFC:					

4

3

2

1

F

F

E

E

D

D

C

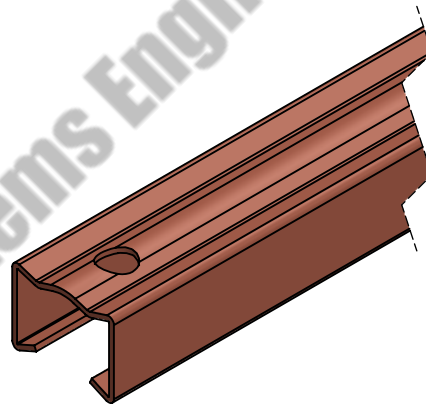
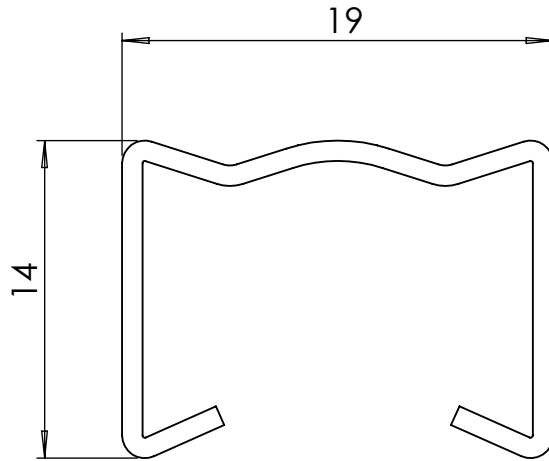
C

B

B

A

A



Anand Systems Engineering Pvt. Ltd.

COMPANY NAME:



**ANAND SYSTEM
ENGINEERING PVT LTD**

DO NOT SCALE DRAWING.

REVISION:

TITLE:

**DSL BUSBAR
CU M-TYPE 2D**

Email id: info@anandcontrol.in

CONTACT NO: 9137620579

FINISH:

DWG NO.

DATE:

SIGNATURE:

DRAWN	SAURABH
CHK'D	
APP'D	
MFG	

MATERIAL:

WEIGHT:

SCALE:

SHEET: 1 OF 1

4

3

2

1

4

3

2

1

F

F

E

E

D

D

C

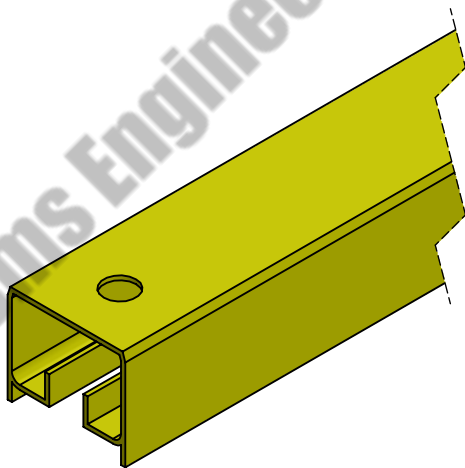
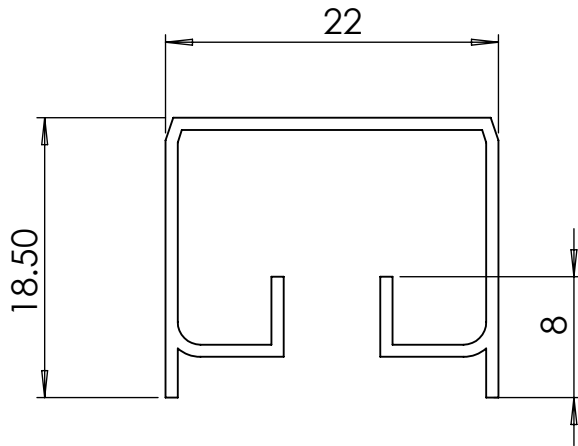
C

B

B

A

A



Anand Systems Engineering Pvt. Ltd.

COMPANY NAME:



ANAND SYSTEM
ENGINEERING PVT LTD

DO NOT SCALE DRAWING.

REVISION:

TITLE:

DSL BUSBAR
SLEEVE M-TYPE
2D

Email id: info@anandcontrol.in

CONTACT NO: 9137620579

FINISH:

DWG NO.

DATE:

SIGNATURE:

DRAWN	SAURABH
CHK'D	
APP'D	
MFG	

MATERIAL: PVC

WEIGHT:

SCALE:

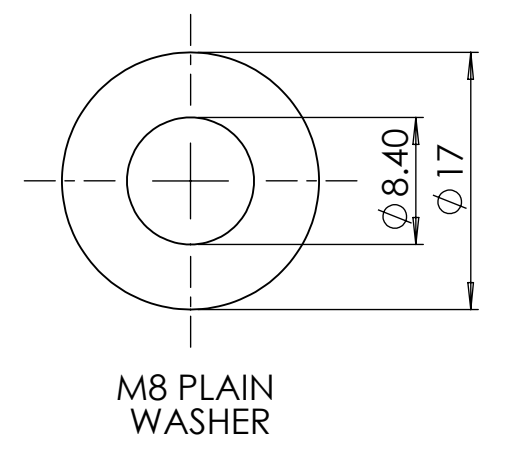
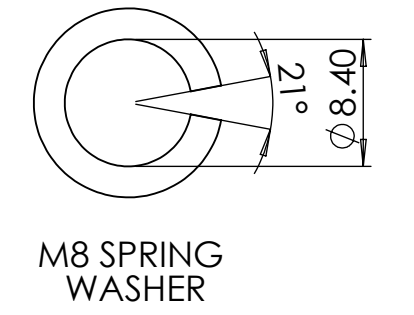
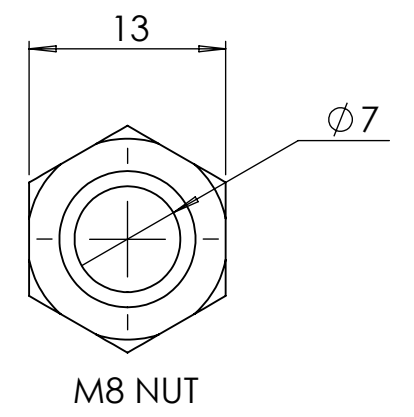
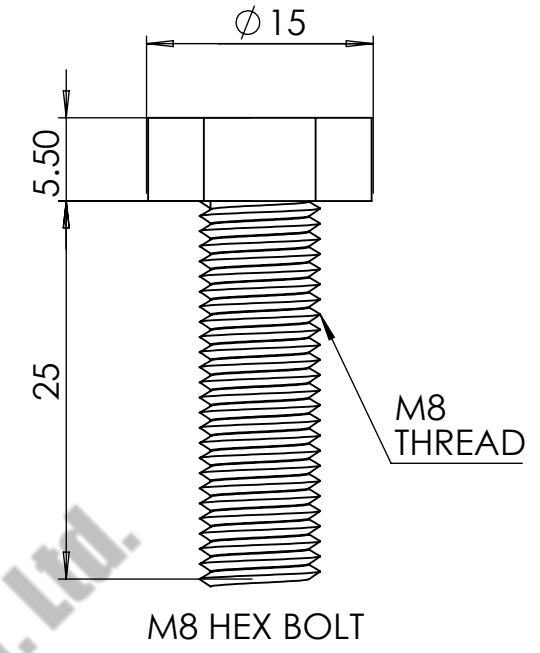
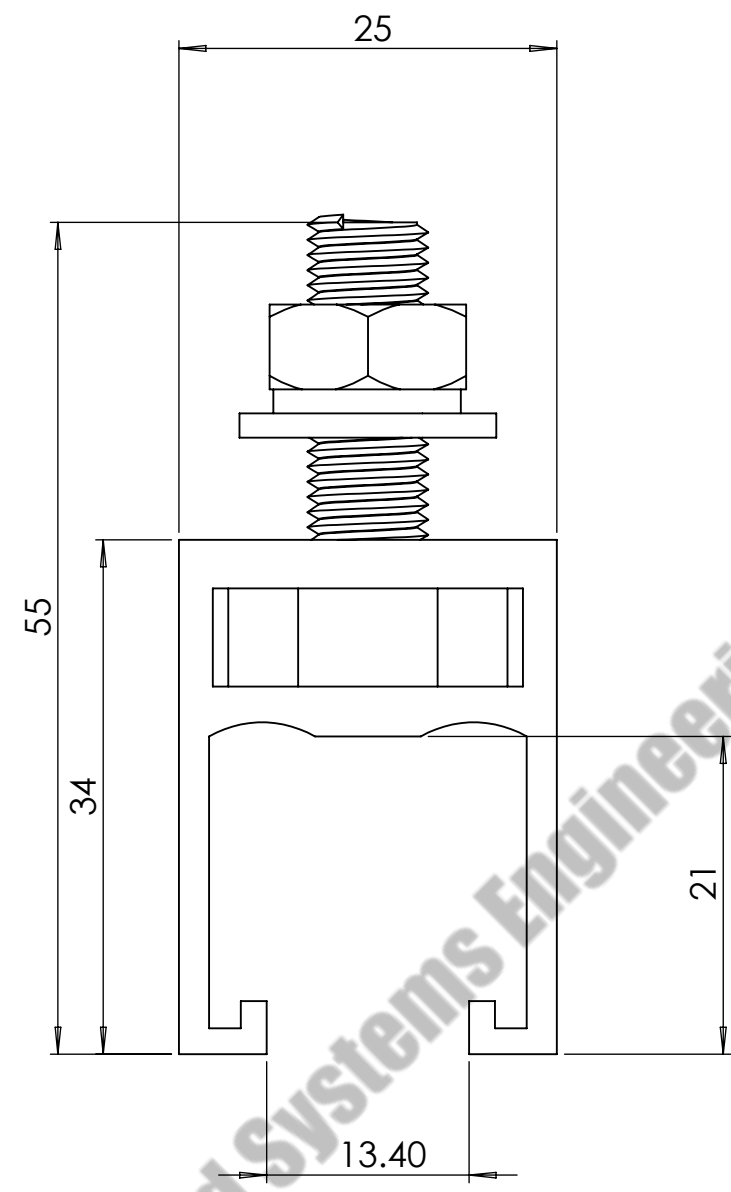
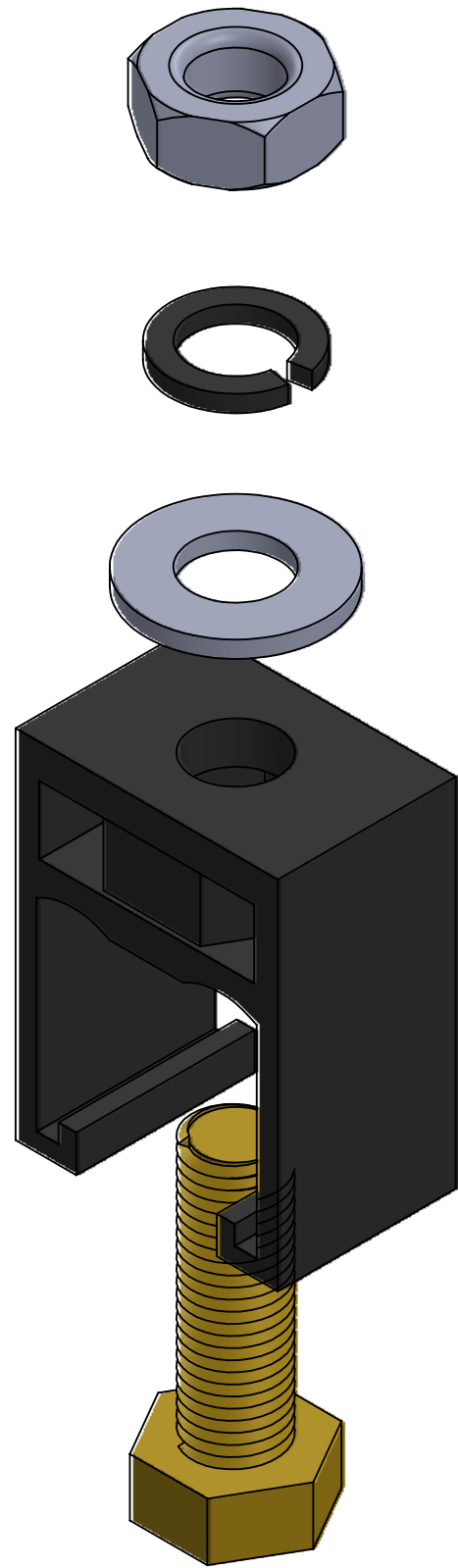
SHEET: 1 OF 1

4


3

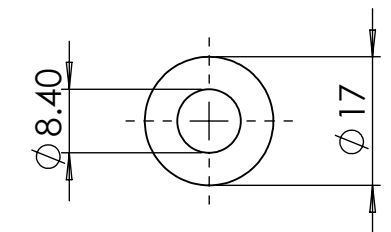
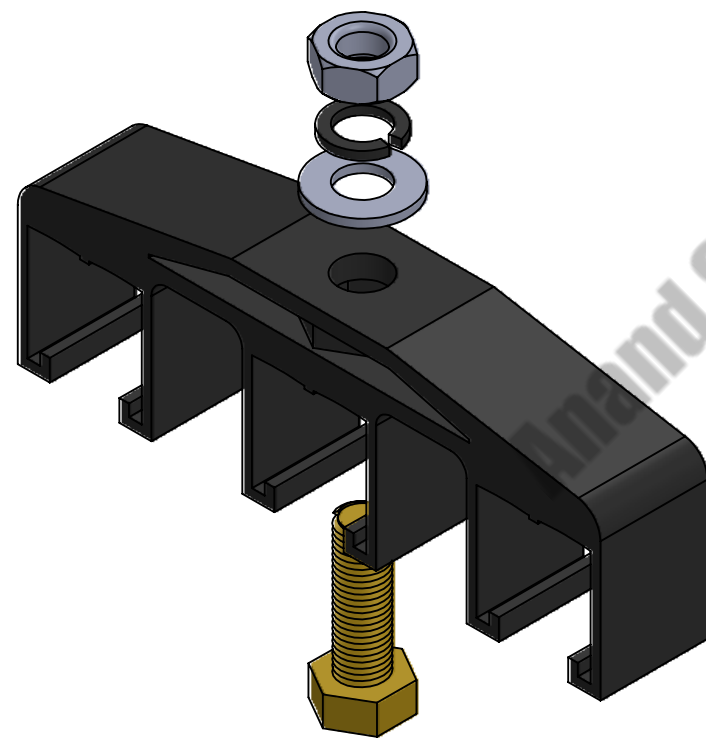
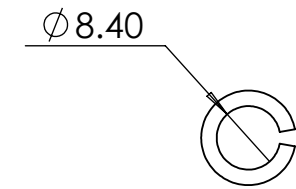
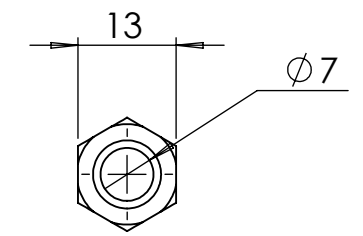
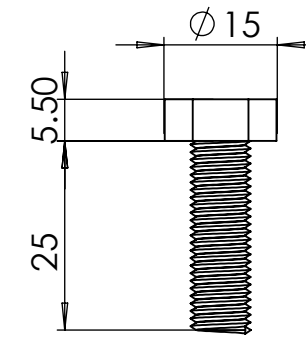
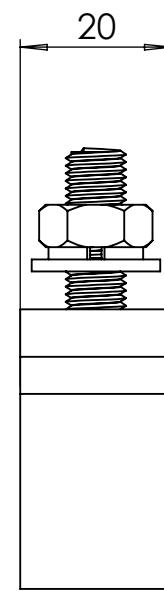
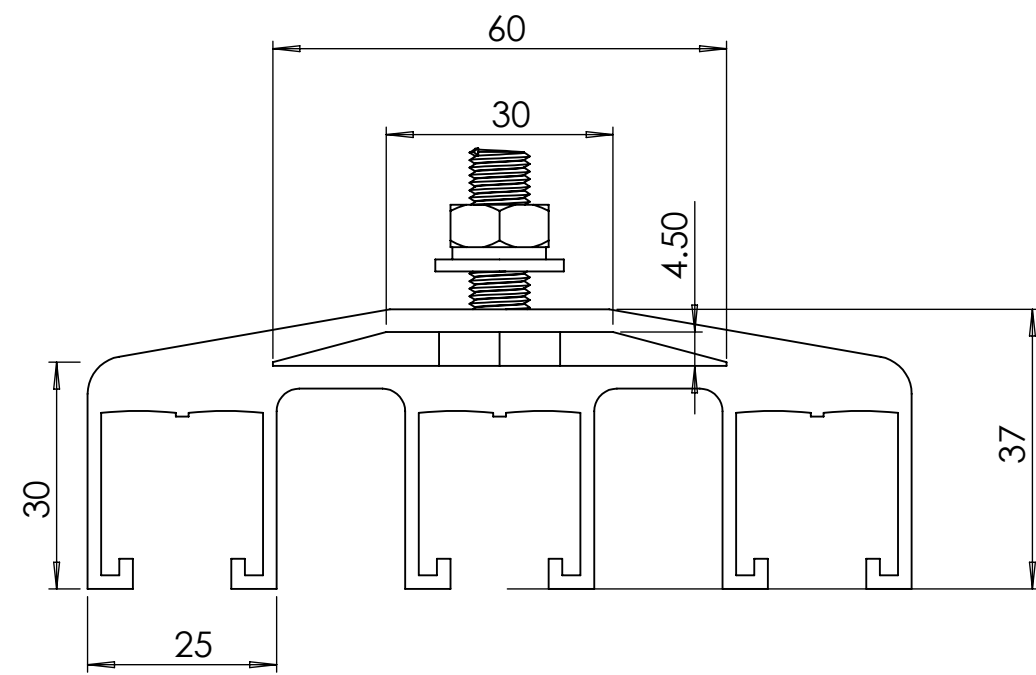
2


1

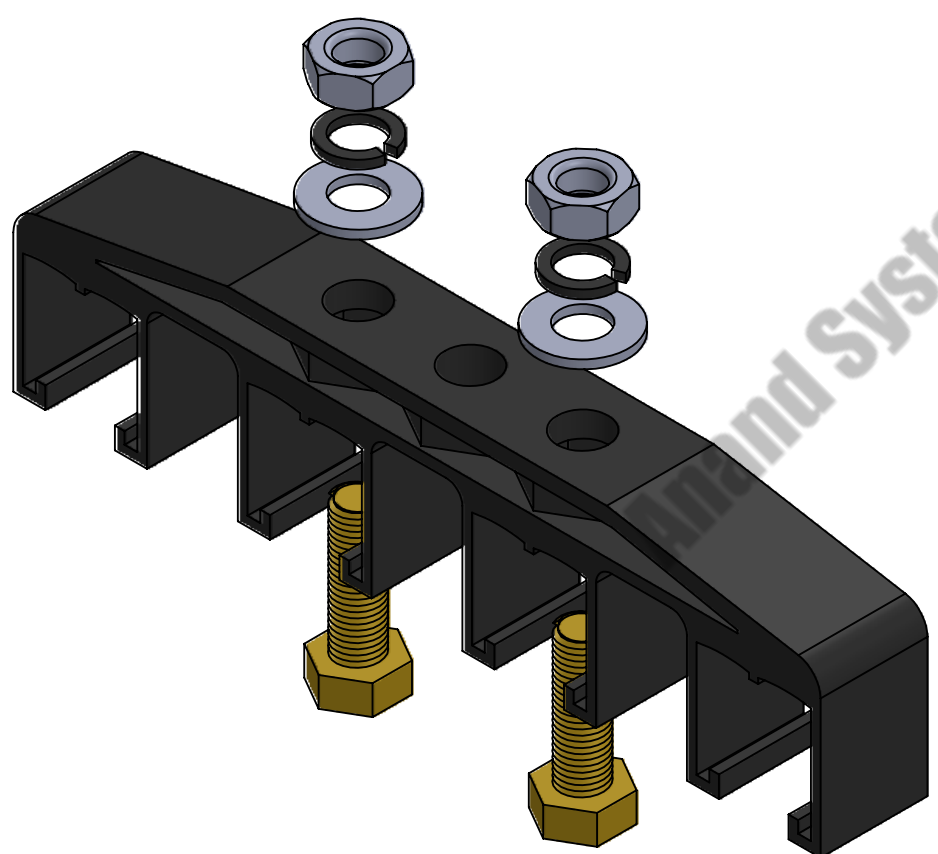
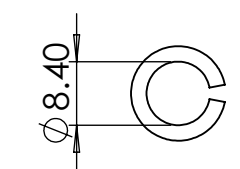
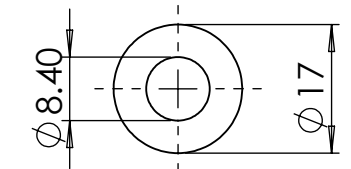
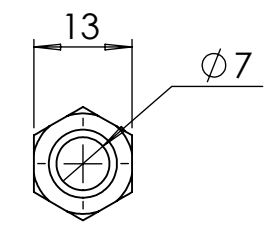
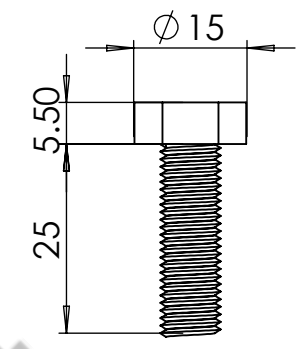
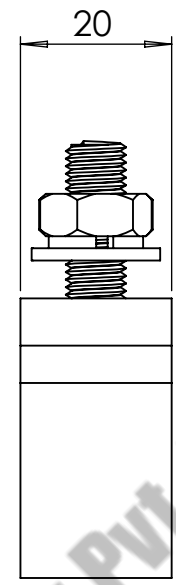
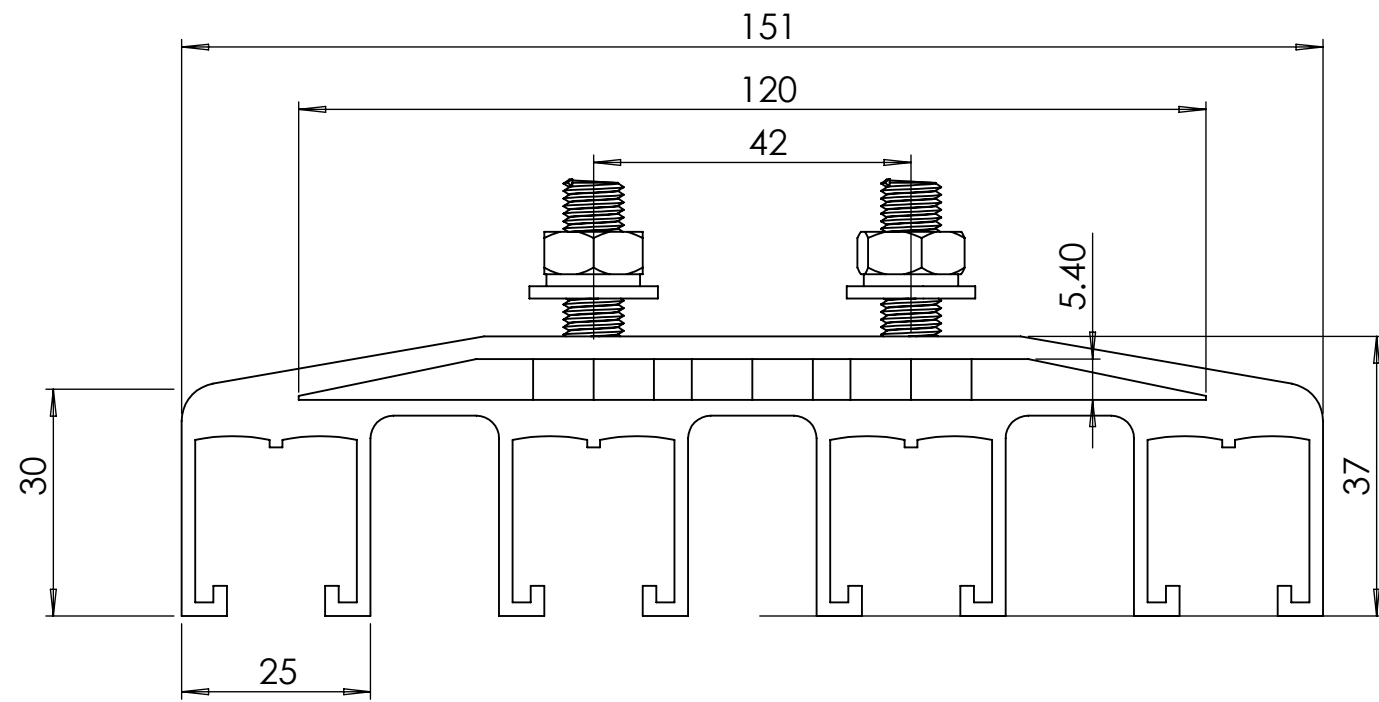



Anand Systems Engineering Pvt. Ltd.

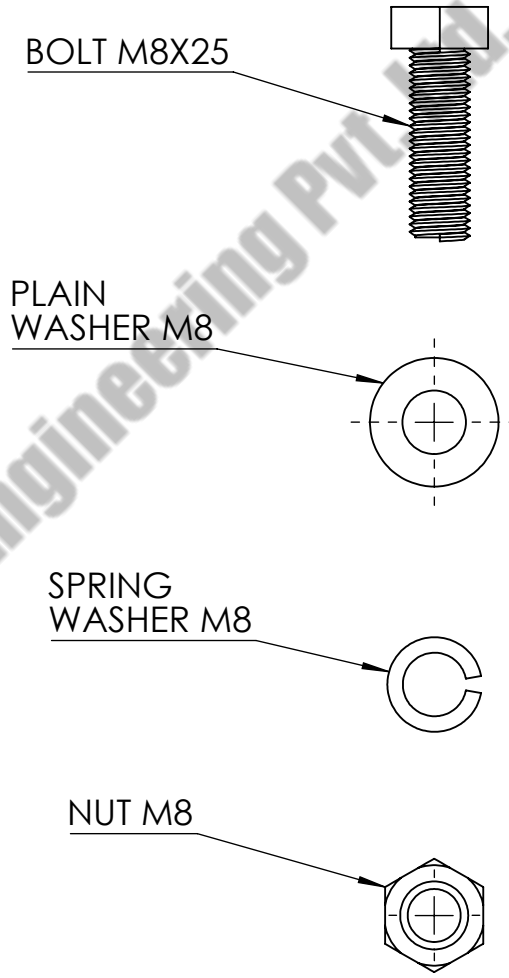
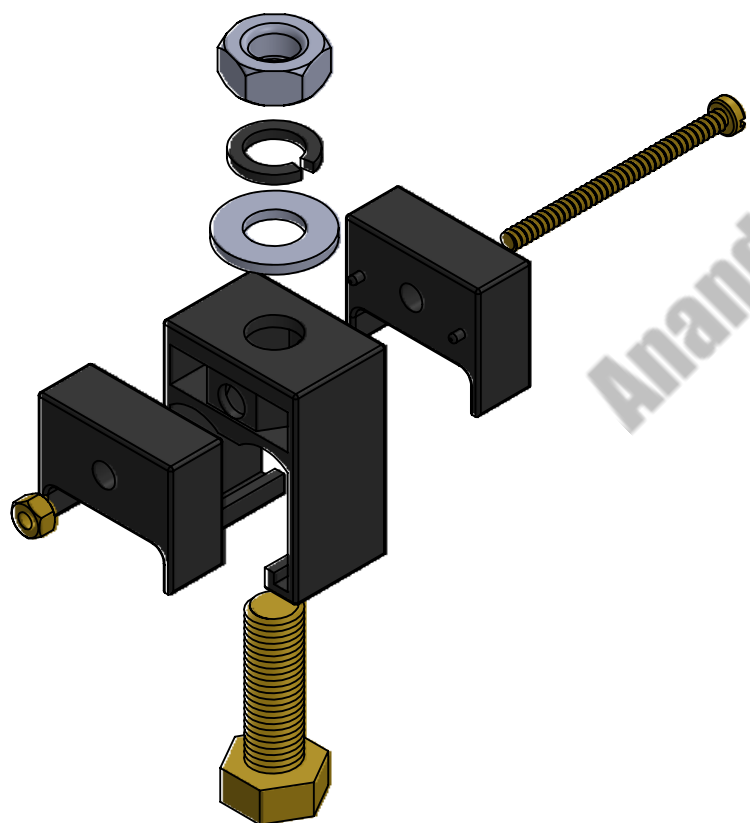
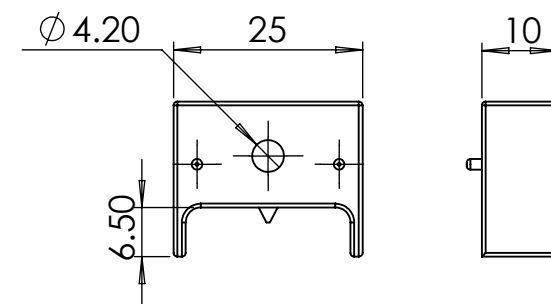
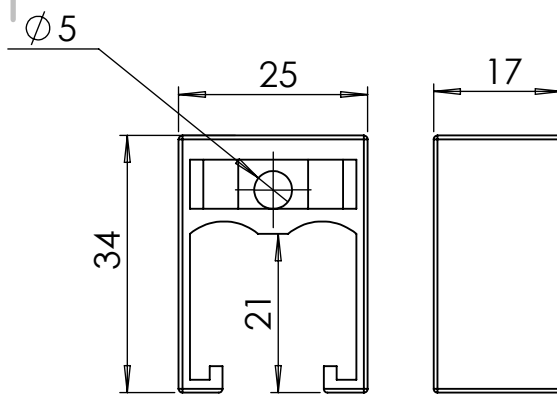
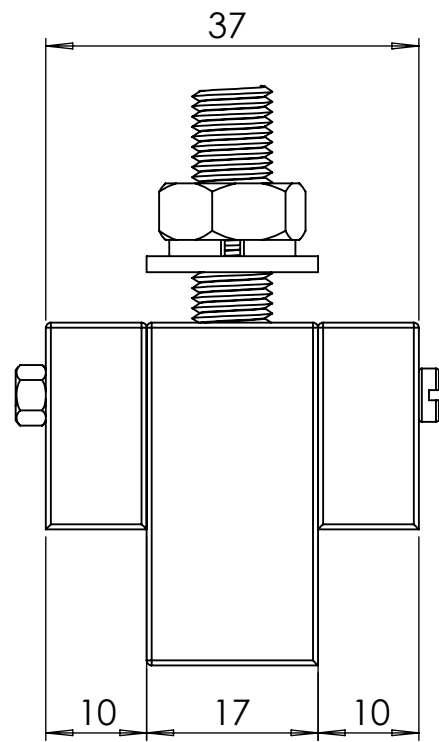
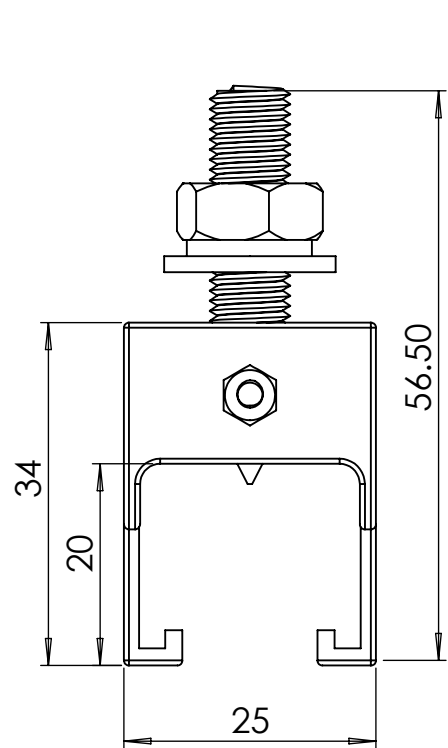
COMPANY NAME:		ANAND SYSTEM ENGINEERING PVT LTD		DO NOT SCALE DRAWING.	REVISION:
		Email id: info@anandcontrol.in CONTACT NO: 9137620579		TITLE: SINGLE POLE HANGER CLAMP ASSM M-TYPE 2D	
DRAWN: SAURABH		MATERIAL:		DWG NO.	
CHK'D:		FINISH:		DATE:	
APPY'D:		WEIGHT:		SIGNATURE:	
MFC:		SCALE:		SHEET: 1 OF 1	




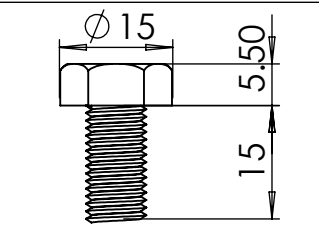
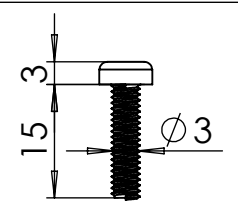
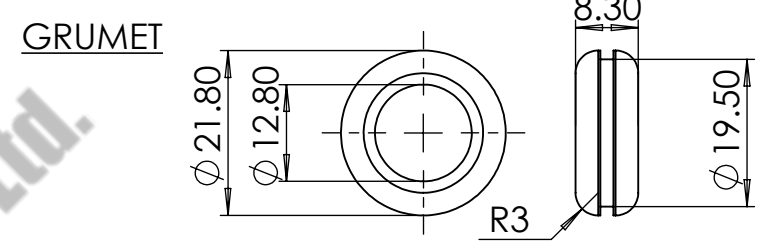
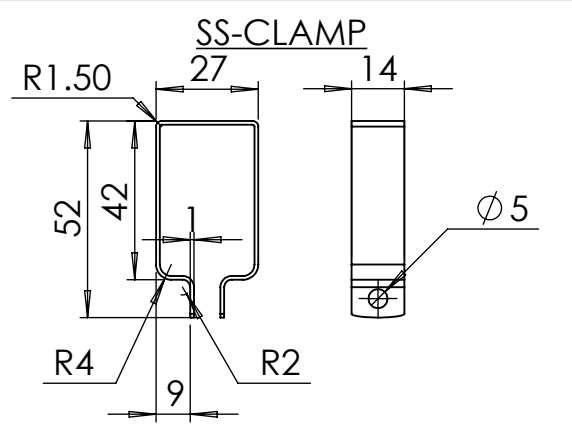
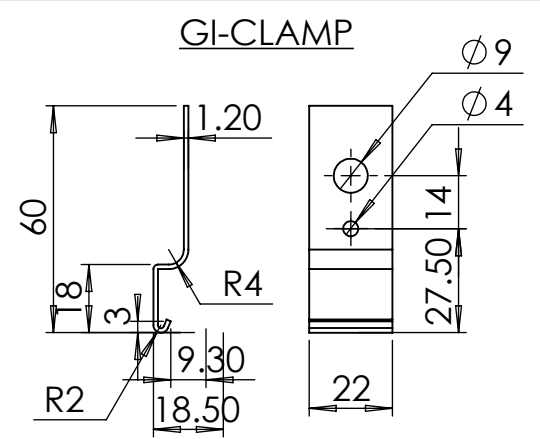
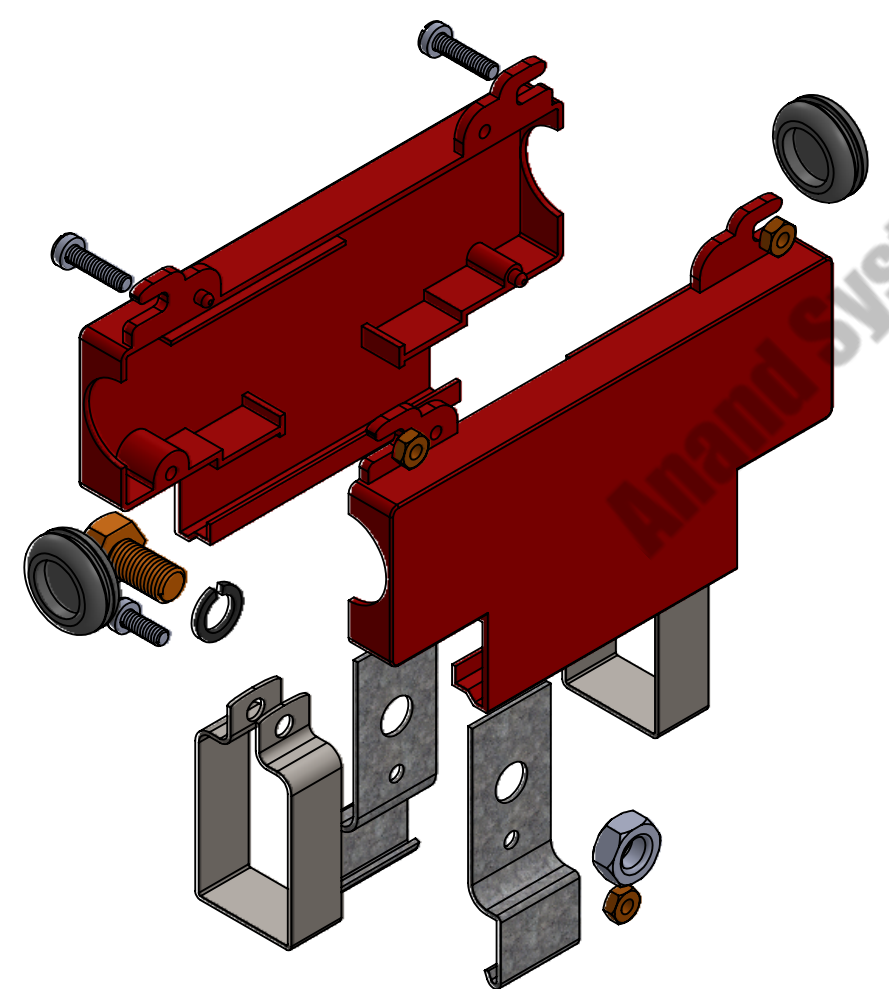
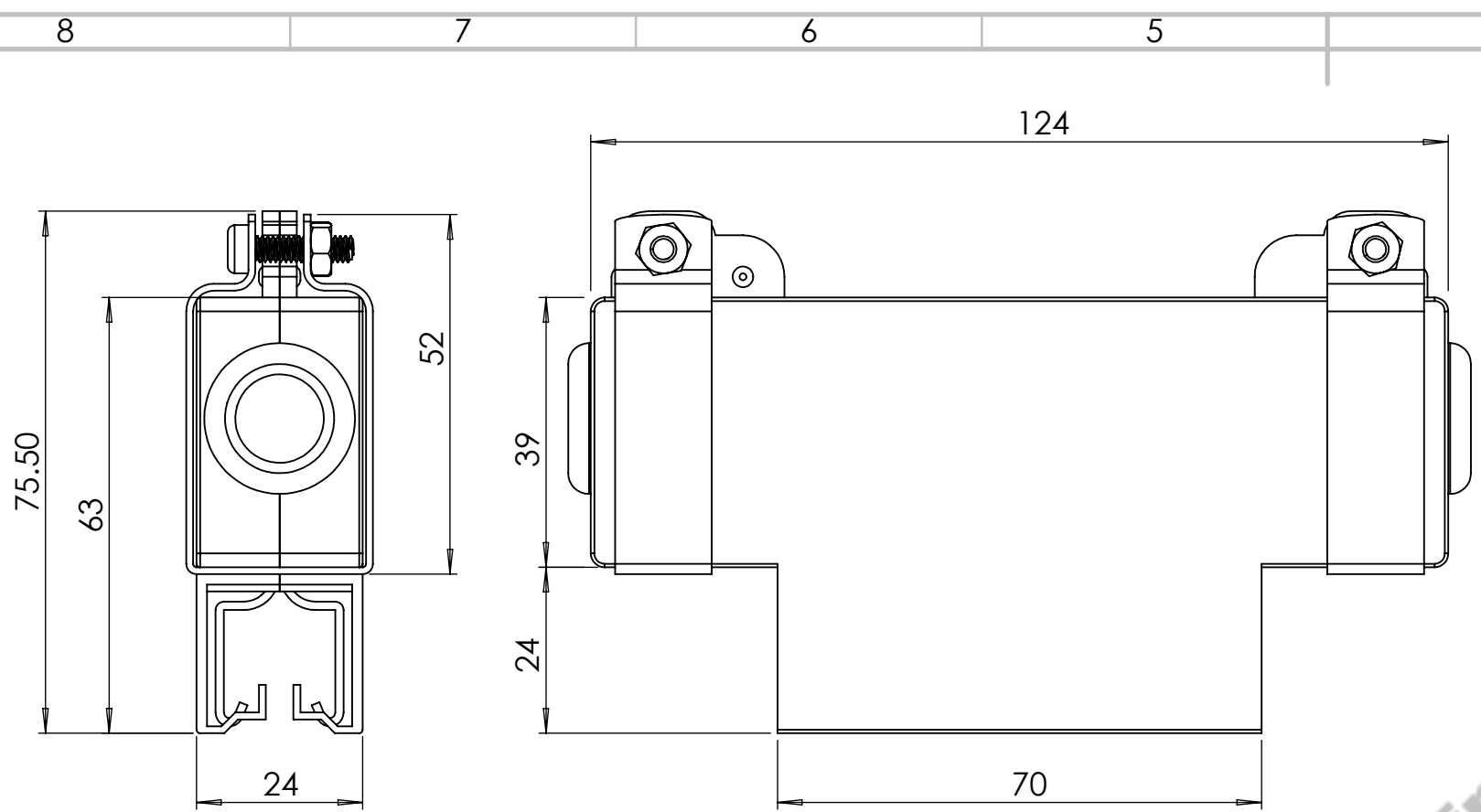
COMPANY NAME:		ANAND SYSTEM ENGINEERING PVT LTD		DO NOT SCALE DRAWING.	REVISION:
		Email id: info@anandcontrol.in CONTACT NO: 9137620579		TITLE: 3 POLE HANGER CLAMP ASSM M-TYPE 2D	
FINISH:		MATERIAL:		DWG NO.	
DRAWN: SAURABH		MATERIAL:		DATE:	
CHK'D:		MATERIAL:		SIGNATURE:	
APPY'D:		WEIGHT:		SCALE:	
MFG:		WEIGHT:		SHEET: 1 OF 1	



COMPANY NAME:		ANAND SYSTEM ENGINEERING PVT LTD		DO NOT SCALE DRAWING.	REVISION:
		Email id: info@anandcontrol.in CONTACT NO: 9137620579		TITLE: 4 POLE HANGER CLAMP ASSM M-TYPE 2D	
FINISH:		MATERIAL:		DWG NO.	
DATE:		SIGNATURE:		A	
DRAWN	SAURABH			SCALE:	
CHK'D				SHEET: 1 OF 1	
APPY'D					
MFG					

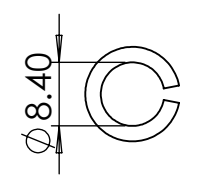
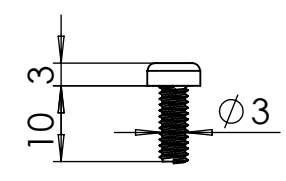


COMPANY NAME:		ANAND SYSTEM ENGINEERING PVT LTD		DO NOT SCALE DRAWING.	REVISION:
		Email id: info@anandcontrol.in CONTACT NO: 9137620579		TITLE: ANCHOR CLAMP ASSM M-TYPE 2D	
MATERIAL:		DELRIN		DWG NO.	
FINISH:				DATE:	
WEIGHT:				SIGNATURE:	
DRAWN	SAURABH			A	
CHK'D					
APPY'D					
MFG				SCALE:	
				SHEET: 1 OF 1	



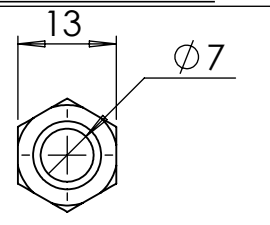
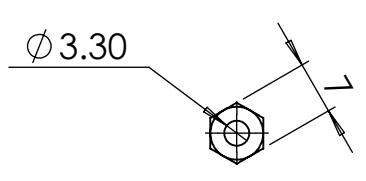
PAN SCREW M4X15

BOLT M8X15



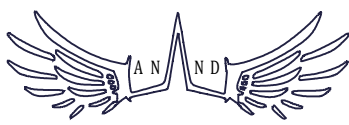
PAN SCREW M4X10

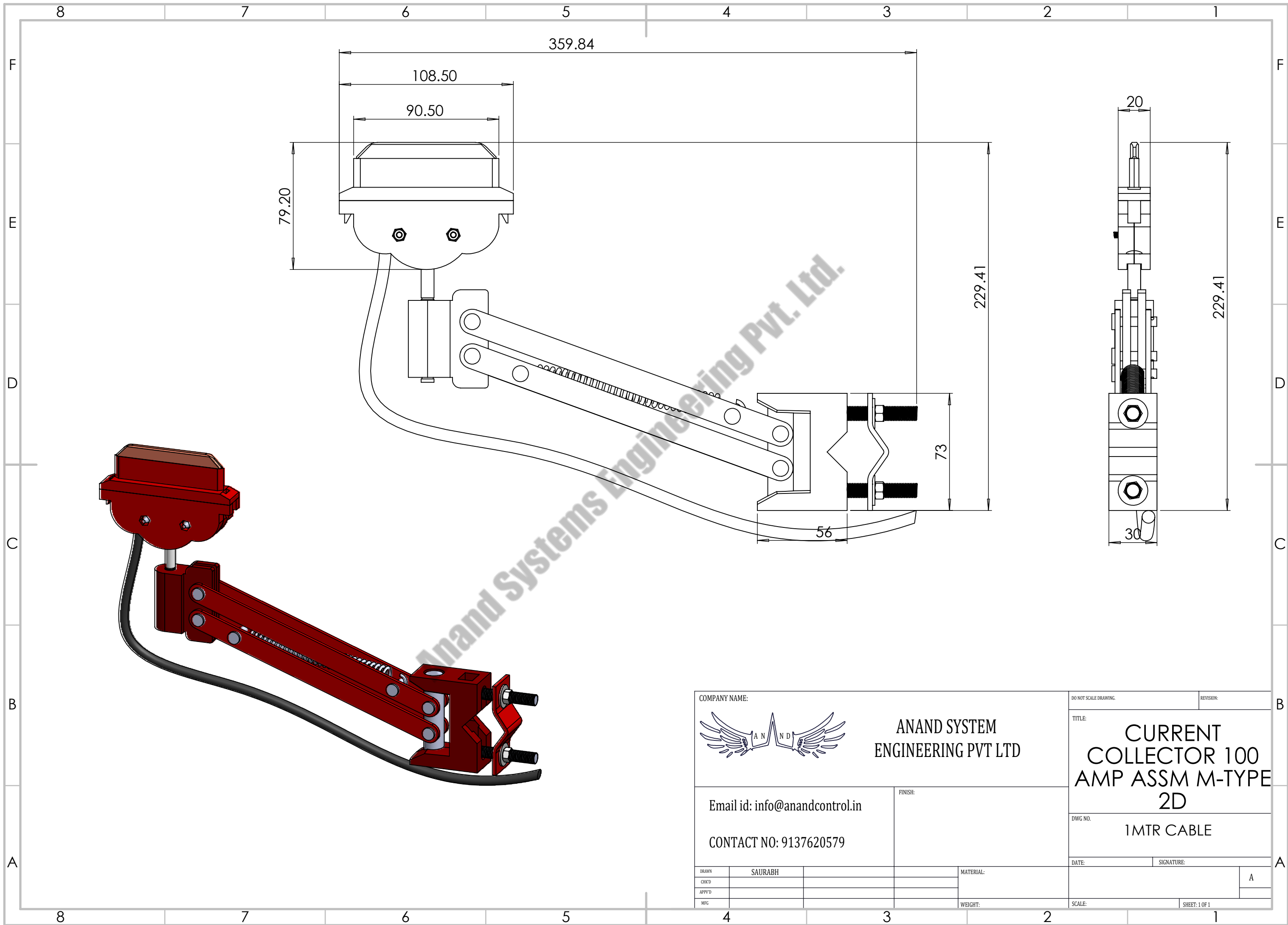
SPRING WAHSER




M4 NUT

M8 NUT

COMPANY NAME:		ANAND SYSTEM ENGINEERING PVT LTD		DO NOT SCALE DRAWING.	REVISION:
		<p>Email id: info@anandcontrol.in</p> <p>CONTACT NO: 9137620579</p>		<p>TITLE:</p> <p>CENTRE POWER FEED M-TYPE 2D</p>	
FINISH:		MATERIAL:		DWG NO.	
DATE:		SIGNATURE:		SCALE:	
DRAWN	SAURABH			SHEET: 1 OF 1	
CHK'D				A	
APPY'D					
MFG					



COMPANY NAME:		ANAND SYSTEM ENGINEERING PVT LTD		DO NOT SCALE DRAWING.	REVISION:
		<p>Email id: info@anandcontrol.in</p> <p>CONTACT NO: 9137620579</p>		<p>TITLE:</p> <p>CURRENT COLLECTOR 100 AMP ASSM M-TYPE 2D</p>	
FINISH:		MATERIAL:		<p>DWG NO.</p> <p>1MTR CABLE</p>	
DATE:	SIGNATURE:		A		
SCALE:	SHEET: 1 OF 1				

4

3

2

1

F

F

E

E

D

D

C

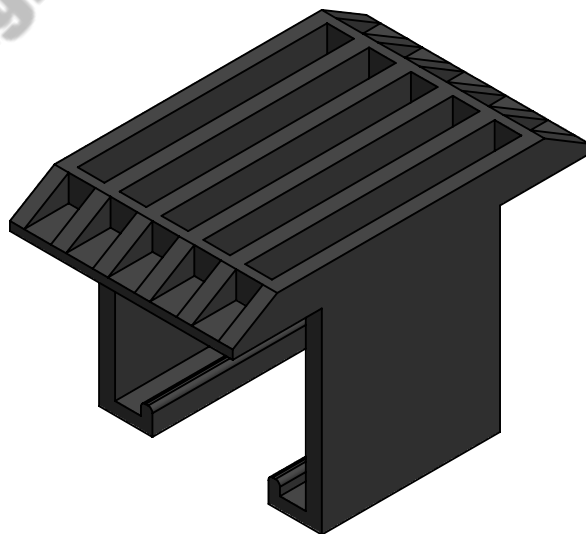
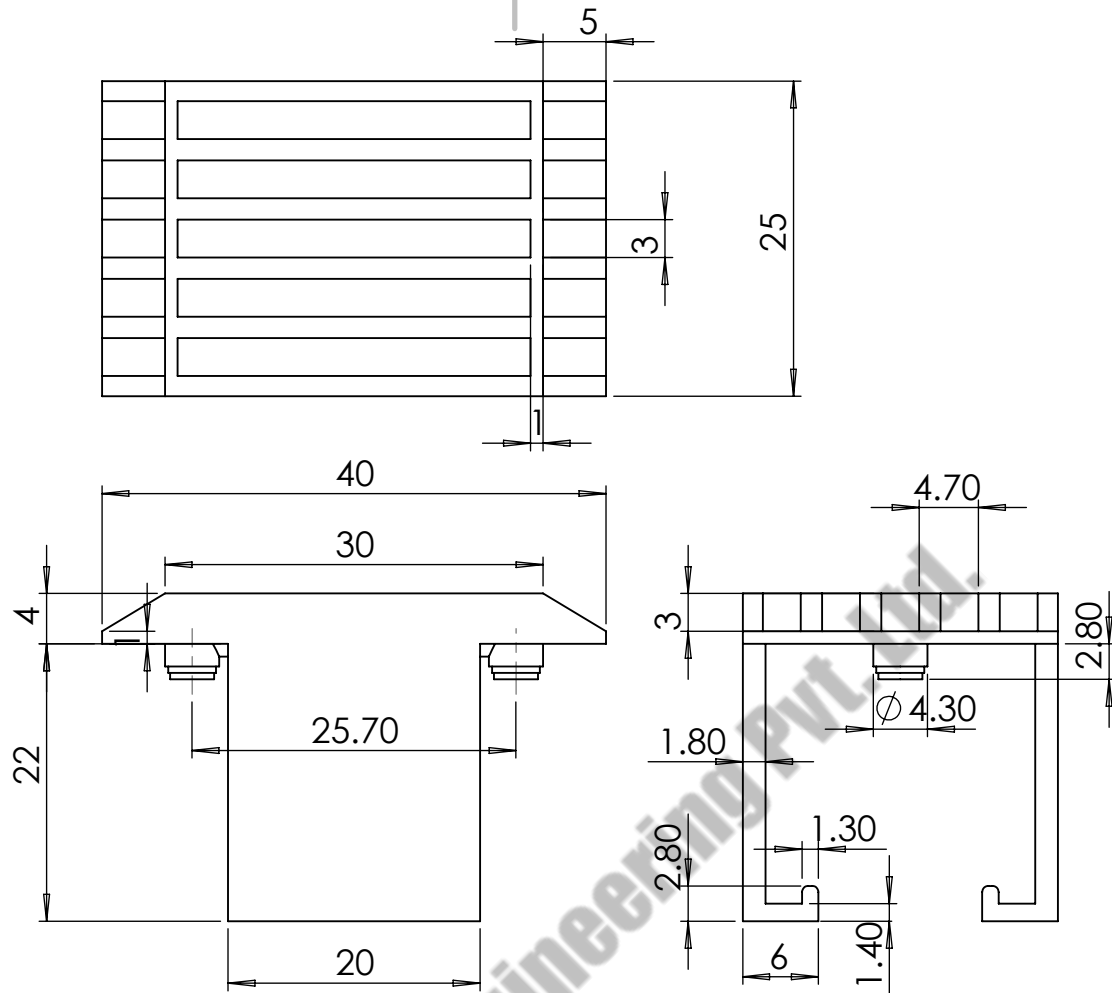
C

B

B

A

A



Anand Systems Engineering Pvt Ltd

COMPANY NAME:



**ANAND SYSTEM
ENGINEERING PVT LTD**

DO NOT SCALE DRAWING.

REVISION:

TITLE:

**JOINT COVER
M TYPE 2D**

Email id: info@anandcontrol.in

CONTACT NO: 9137620579

FINISH:

DWG NO.

DATE:

SIGNATURE:

DRAWN	SAURABH
CHK'D	
APP'D	
MFG	

MATERIAL:

WEIGHT:

SCALE:

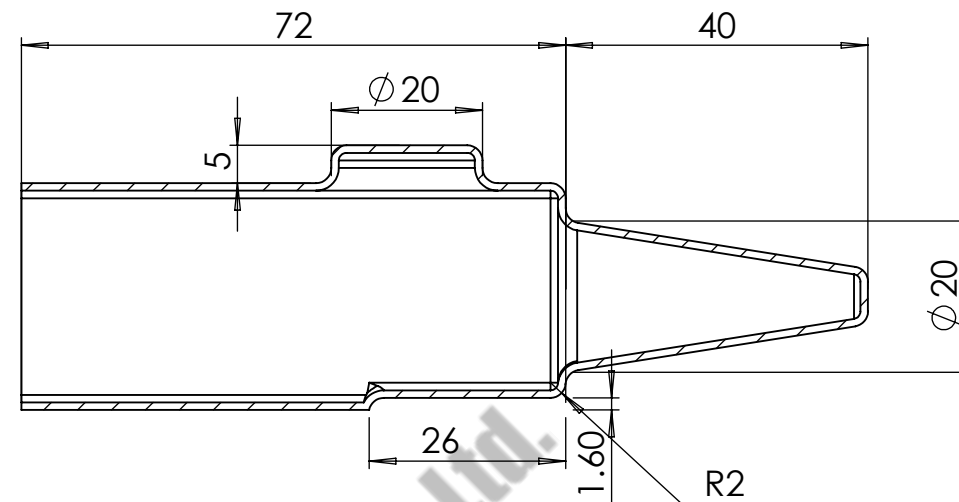
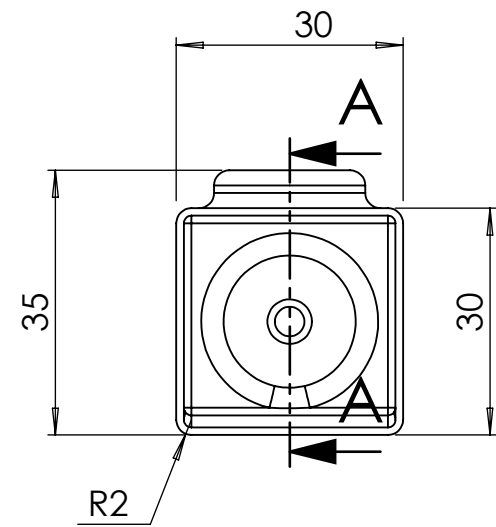
SHEET: 1 OF 1

4

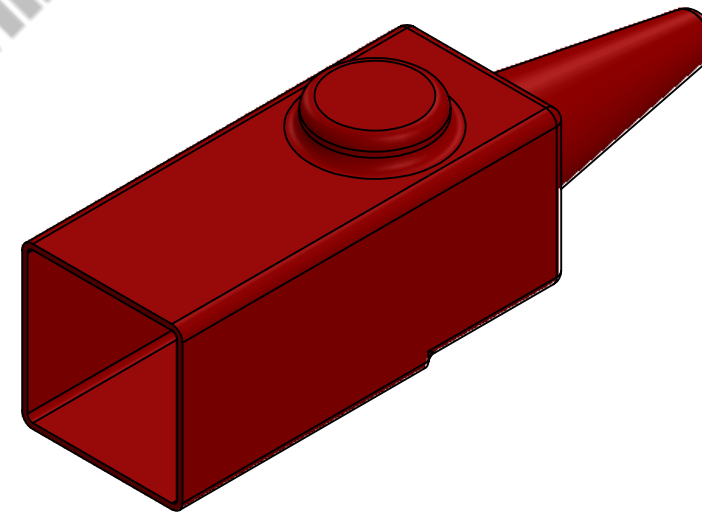
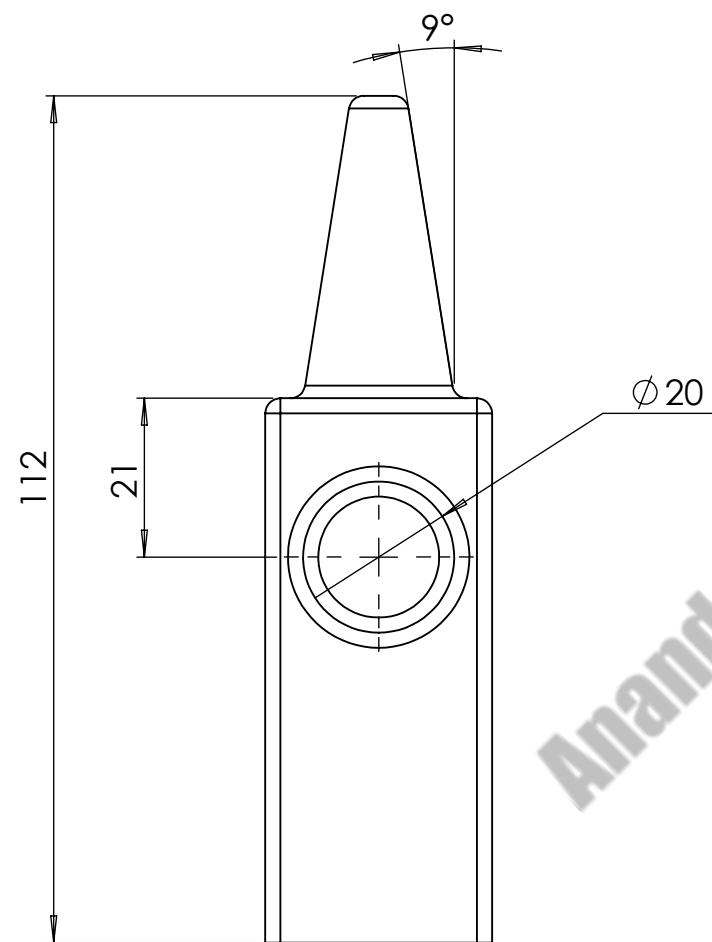
3

2

1



SECTION A-A



COMPANY NAME:



**ANAND SYSTEM
ENGINEERING PVT LTD**

Email id: info@anandcontrol.in

CONTACT NO: 9137620579

FINISH:

DO NOT SCALE DRAWING.

REVISION:

TITLE:

**END POWER FEED
M-TYPE 2D**

DWG NO.

DATE:

SIGNATURE:

DRAWN
CHK'D
APPV'D
MFG

SAURABH

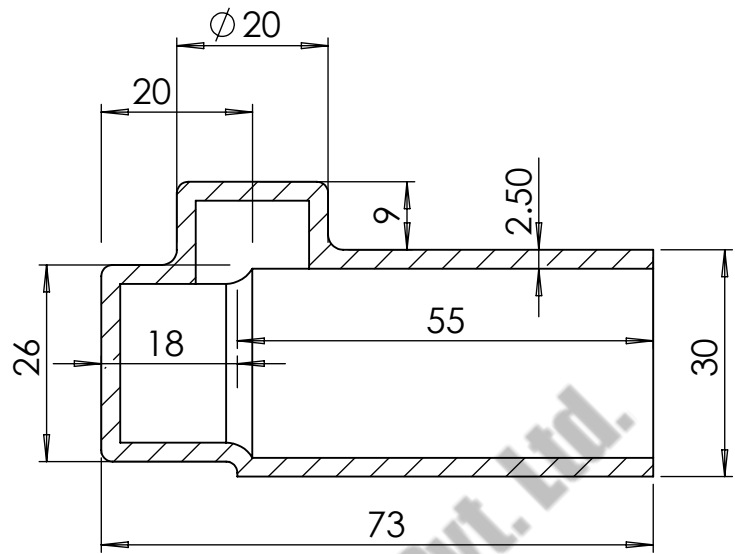
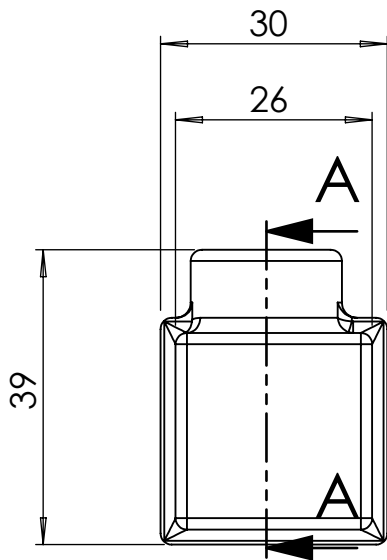
MATERIAL:

WEIGHT:

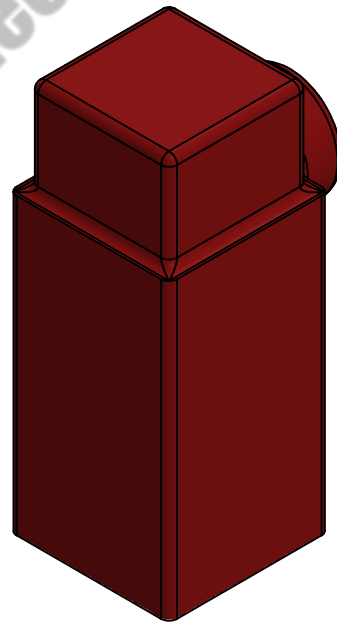
SCALE:

SHEET: 1 OF 1


A

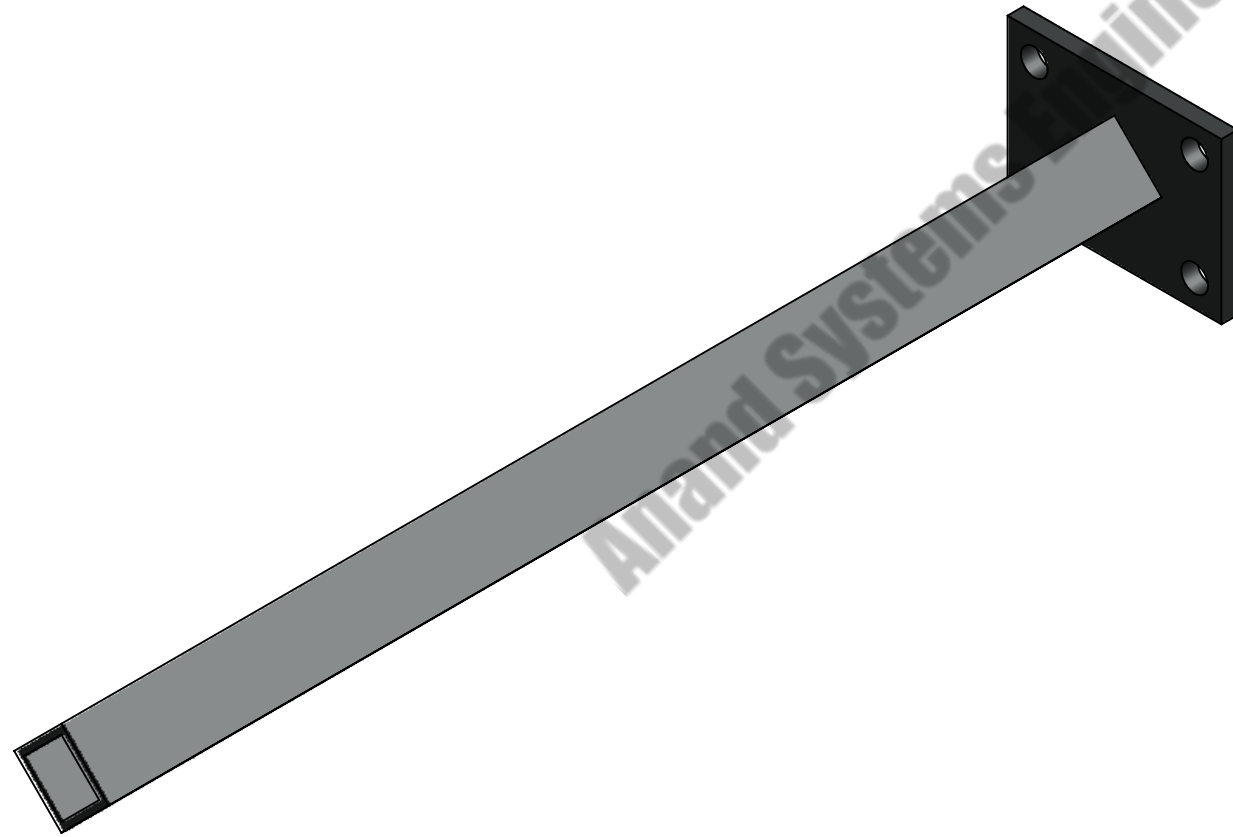
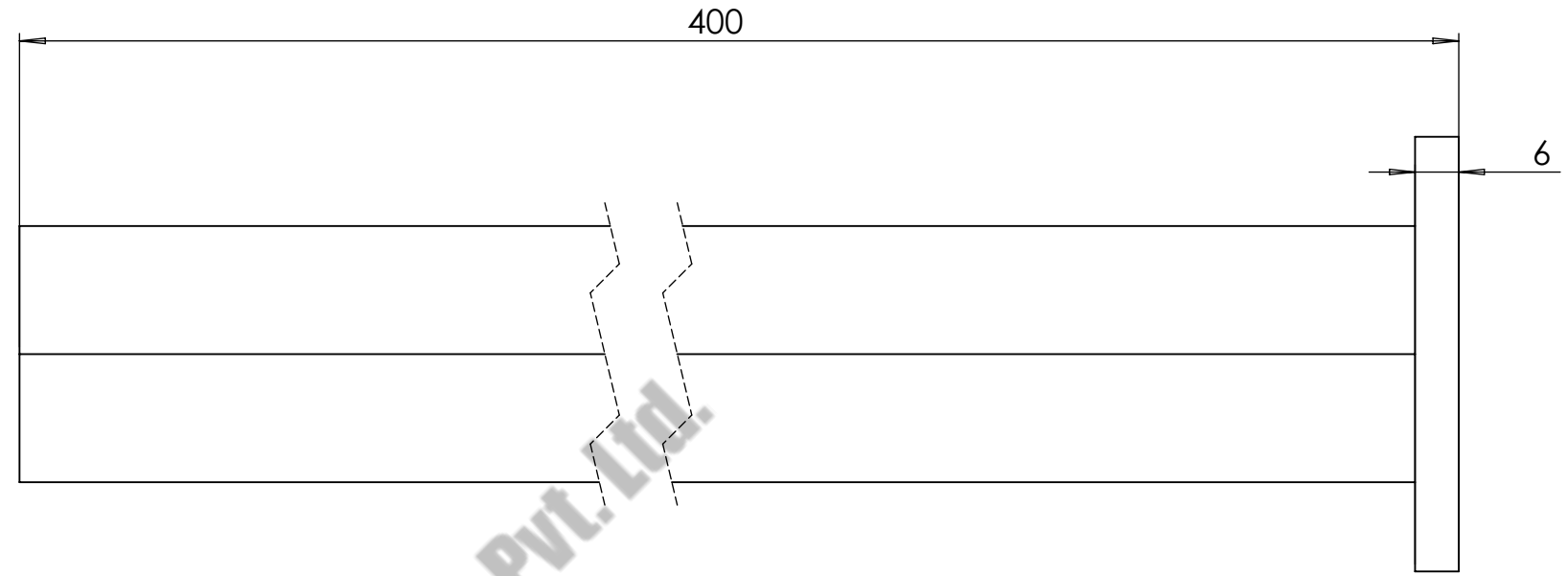
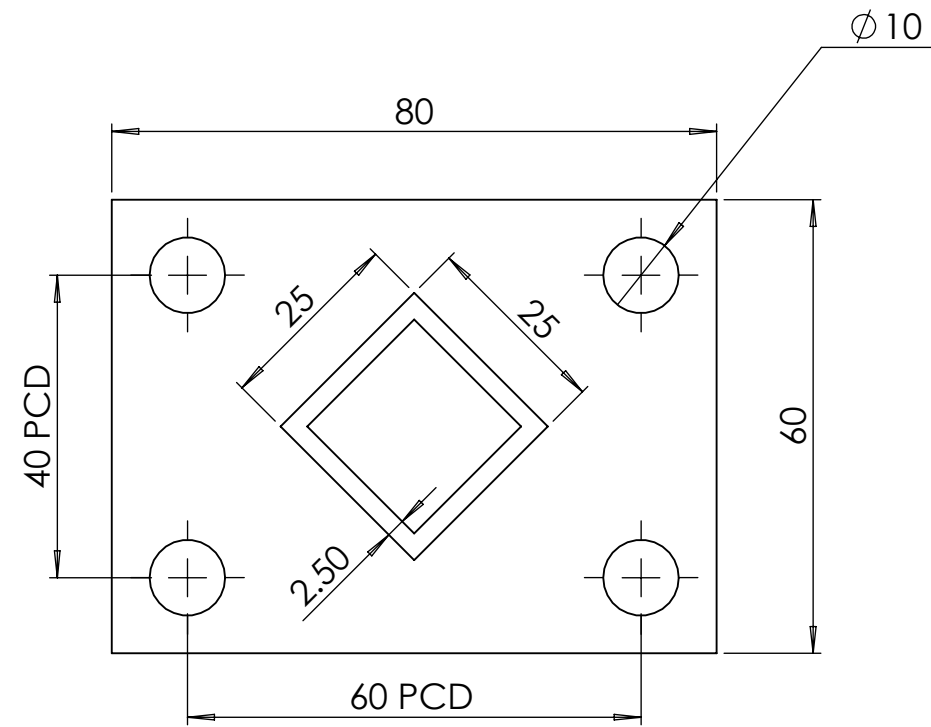



SECTION A-A



Anand Systems Engineering Pvt. Ltd.

COMPANY NAME:  <p style="text-align: center;">ANAND SYSTEM ENGINEERING PVT LTD</p>		DO NOT SCALE DRAWING. REVISION:	
Email id: info@anandcontrol.in CONTACT NO: 9137620579		TITLE: <h2 style="margin: 0;">END COVER M-TYPE 2D</h2>	
DRAWN: SAURABH CHK'D: APP'D: MFG:		DWG NO.: DATE: SIGNATURE:	
MATERIAL: WEIGHT:		SCALE: SHEET: 1 OF 1	



COMPANY NAME:		ANAND SYSTEM ENGINEERING PVT LTD		DO NOT SCALE DRAWING.	REVISION:
		<p>ANAND SYSTEM ENGINEERING PVT LTD</p>		TITLE: C.C-Bracket M-TYPE	
Email id: info@anandcontrol.in		FINISH:		DWG NO.	
CONTACT NO: 9137620579				DATE:	
DRAWN	SAURABH			SIGNATURE:	
CHK'D				A	
APPY'D					
MFG				SCALE:	
		WEIGHT:		SHEET: 1 OF 1	

4

3

2

1

F

F

E

E

D

D

C

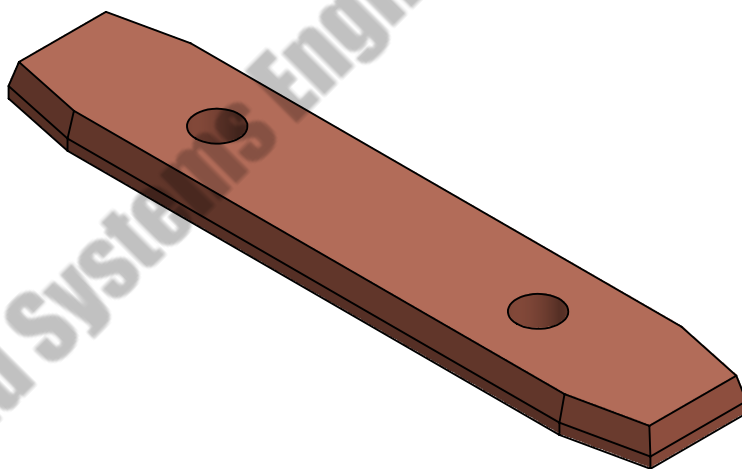
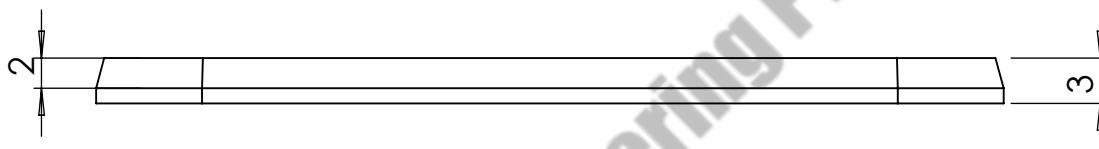
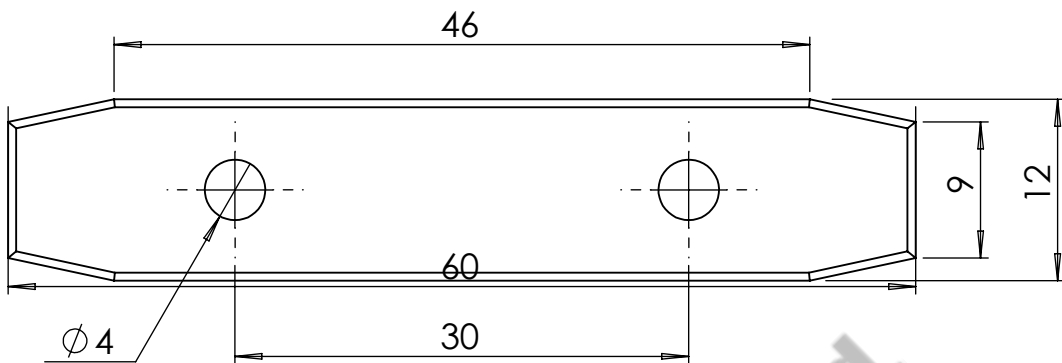
C

B

B

A

A



Anand System Engineering Pvt. Ltd.

COMPANY NAME:



ANAND SYSTEM
ENGINEERING PVT LTD

DO NOT SCALE DRAWING.

REVISION:

TITLE:

JOINING PIN
COPPPER M-
TYPE 2D

Email id: info@anandcontrol.in

CONTACT NO: 9137620579

FINISH:

DWG NO.

DATE:

SIGNATURE:

DRAWN	SAURABH
CHK'D	
APP'D	
MFG	

MATERIAL:

WEIGHT:

SCALE:

SHEET: 1 OF 1

4

3

2

1

4

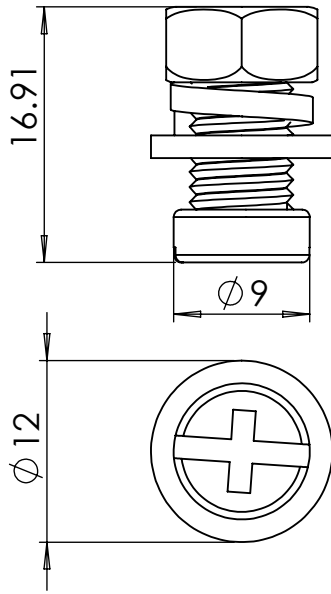
3

2

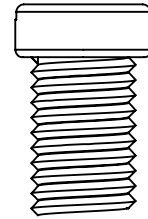
1

F

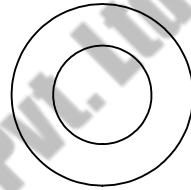
F



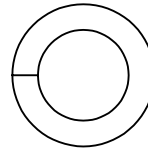
BOLT M6X10



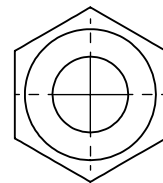
PLAIN WAHSER M6



SPRING WAHSER M6



NUT M6



Anand Systems Engineering Pvt. Ltd.

B

B

COMPANY NAME:



ANAND SYSTEM ENGINEERING PVT LTD

DO NOT SCALE DRAWING.

REVISION:

TITLE:

END POWER FEED ASSM M-TYPE 2D

A

A

Email id: info@anandcontrol.in

CONTACT NO: 9137620579

FINISH:

DWG NO.

DATE:

SIGNATURE:

DRAWN	SAURABH
CHK'D	
APP'D	
MFG	

MATERIAL:

WEIGHT:

SCALE:

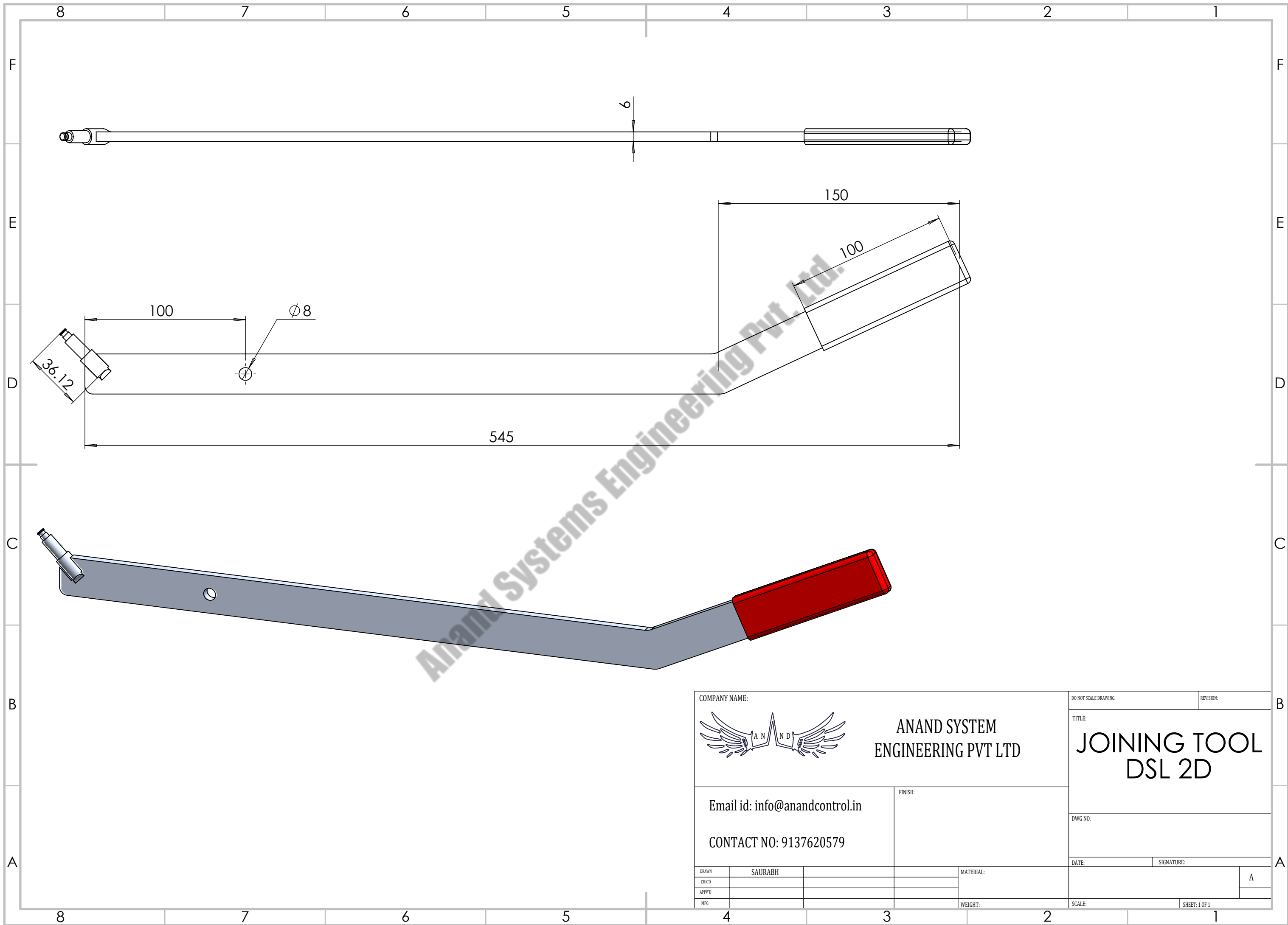
SHEET: 1 OF 1


4

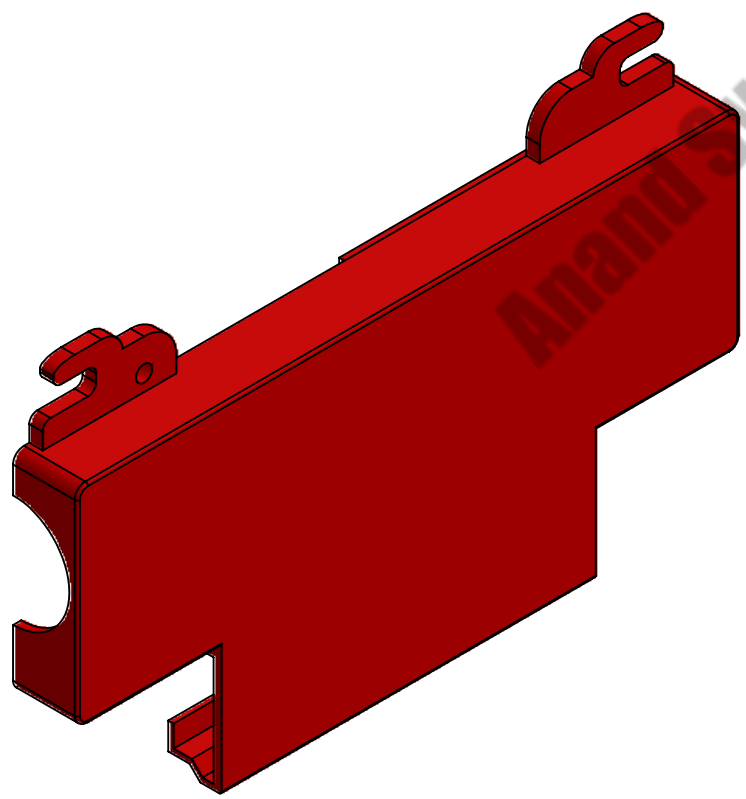
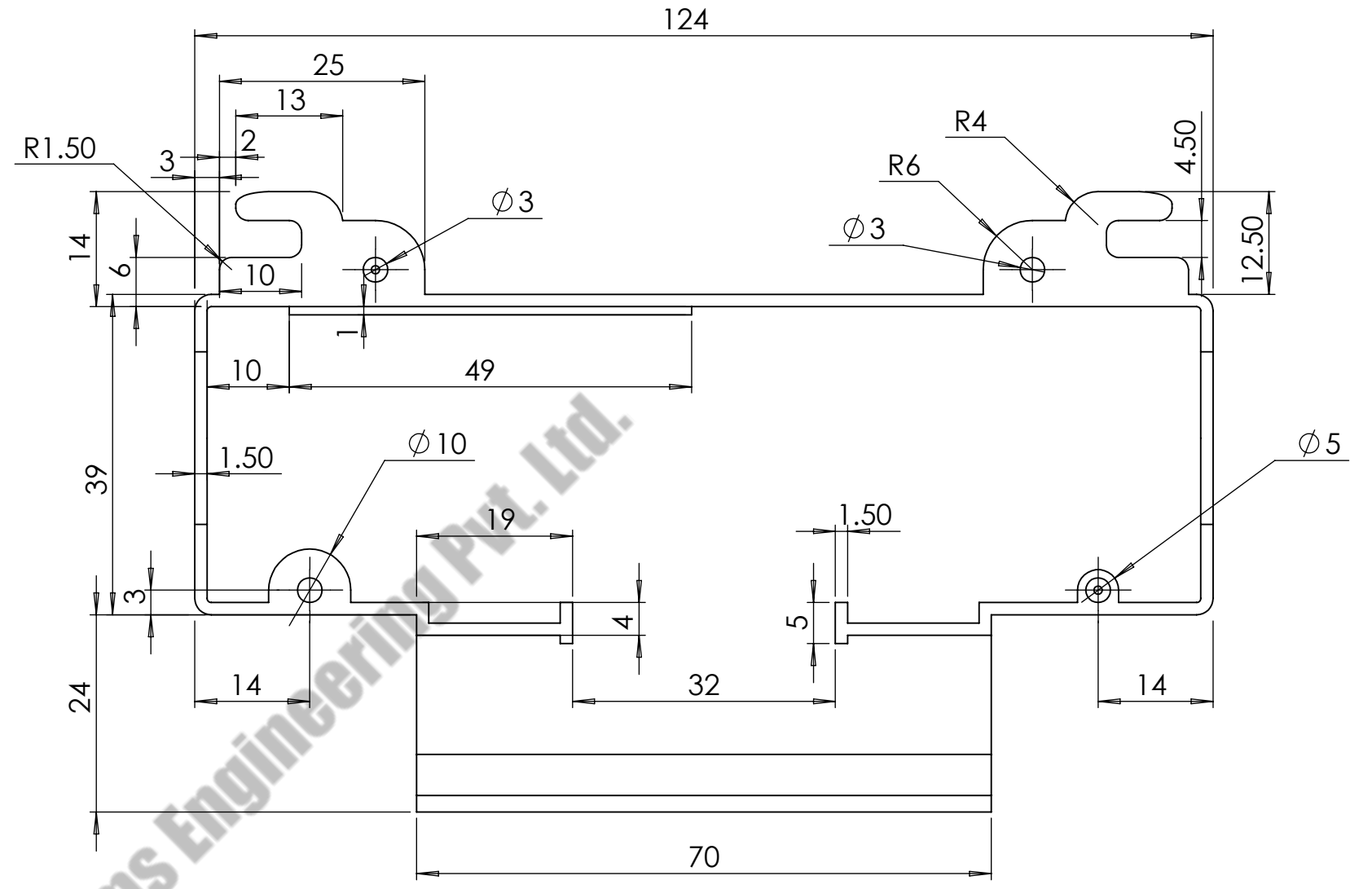
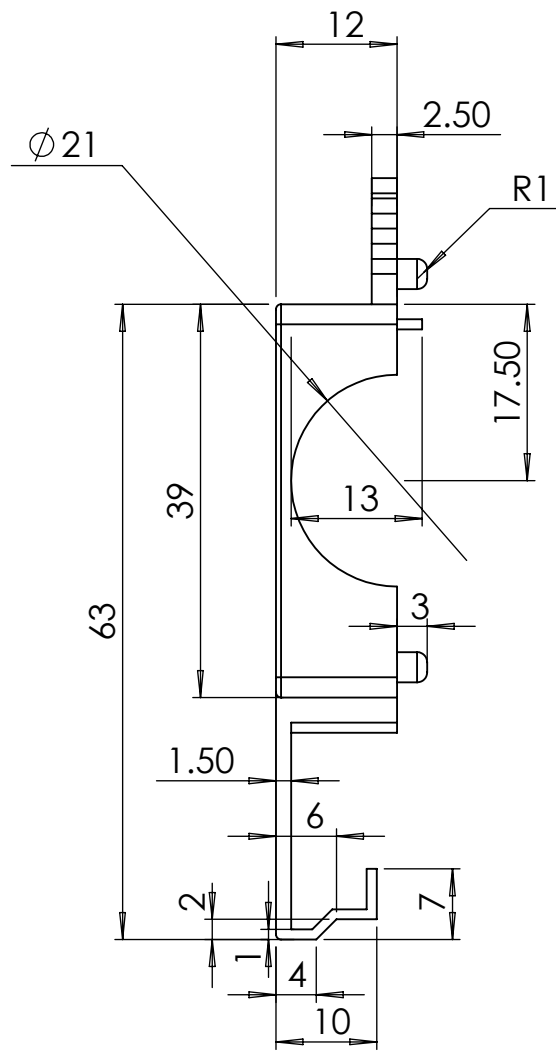
3


2

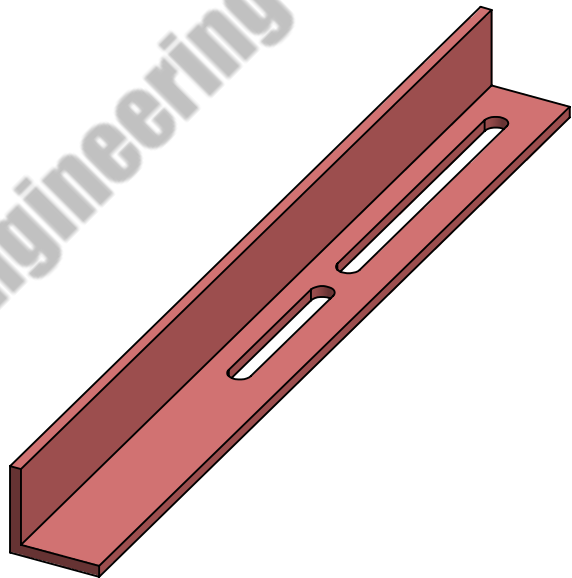
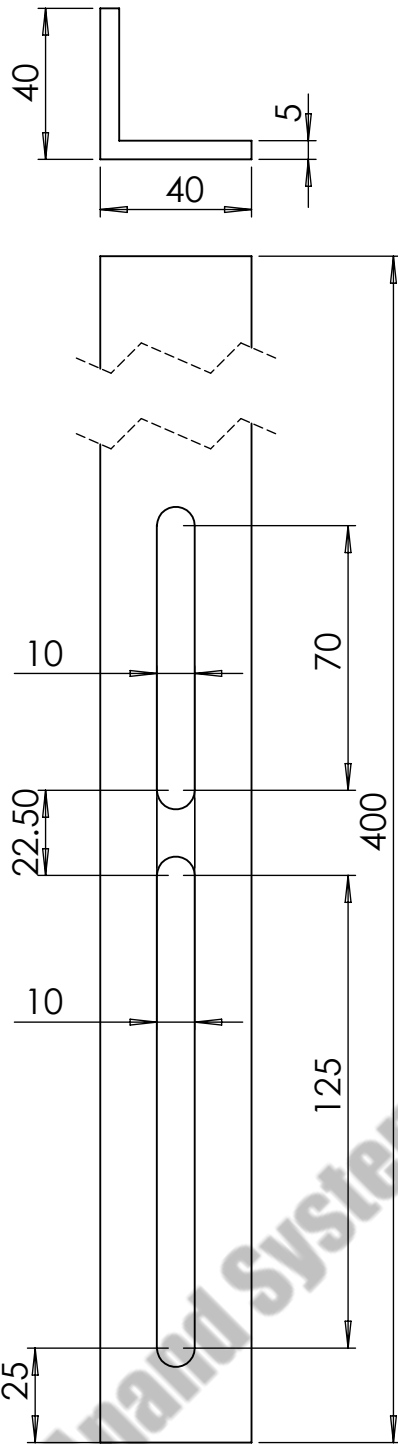
1



COMPANY NAME:		ANAND SYSTEM ENGINEERING PVT LTD		DO NOT SCALE DRAWING.	REVISION:
		Email id: info@anandcontrol.in CONTACT NO: 9137620579		TITLE: JOINING TOOL DSL 2D	
FINISH:		MATERIAL:		DWG NO.	
DRAWN: SAURABH		MFG:		DATE:	
CHK'D:		WEIGHT:		SIGNATURE:	
APPY'D:		SCALE:		SHEET: 1 OF 1	
MFG:		SCALE:		A	



COMPANY NAME:		ANAND SYSTEM ENGINEERING PVT LTD		DO NOT SCALE DRAWING.	REVISION:
		<p>ANAND SYSTEM ENGINEERING PVT LTD</p>		TITLE: MOULDING CENTRE POWER FEED COVER M-TYPE 2D	
Email id: info@anandcontrol.in		FINISH:		DWG NO.	
CONTACT NO: 9137620579				DATE:	
DRAWN	SAURABH			SIGNATURE:	
CHK'D				A	
APP'VD					
MFG				SCALE:	SHEET: 1 OF 1



40X40X400, THK-5
MM

COMPANY NAME:



ANAND SYSTEM
ENGINEERING PVT LTD

DO NOT SCALE DRAWING.

REVISION:

TITLE:

Web-Bracket
M-TYPE 2D

Email id: info@anandcontrol.in

CONTACT NO: 9137620579

FINISH:

DWG NO.

DATE:

SIGNATURE:

DRAWN	SAURABH
CHK'D	
APP'D	
MFG	

MATERIAL:

WEIGHT:

SCALE:

SHEET: 1 OF 1

A