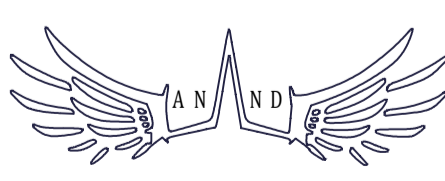
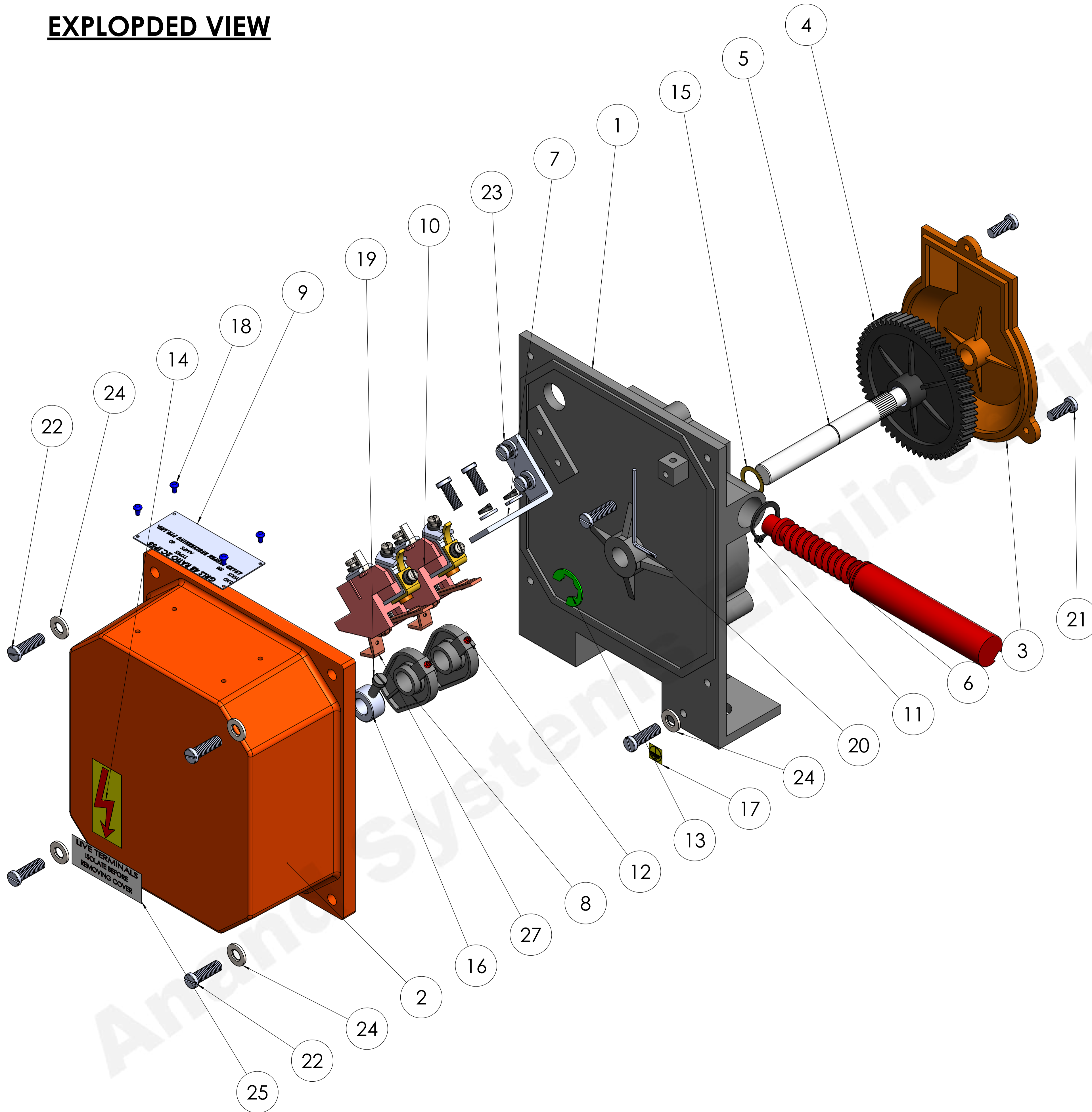
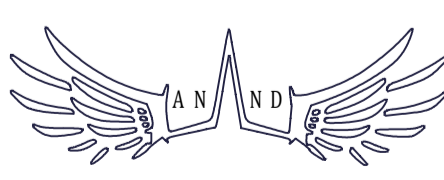


COMPANY NAME:		ANAND SYSTEM ENGINEERING PVT LTD		DO NOT SCALE DRAWING	REVISION:
		<b>ANAND SYSTEM ENGINEERING PVT LTD</b>		TITLE: <b>GRLS 60 RATIO 2C IP55 2D</b>	
Email id: info@anandcontrol.in		FINISH:		DWG. NO.:	
CONTACT NO: 9137620579				DATE: _____ SIGNATURE: _____	
DRWN:	SAURABH	MATERIAL:		A	
CHKD:					
APPD:					
MFC:		WEIGHT:		SCALE:	SHEET: 1 OF 1

# EXPLODED VIEW



ITEM NO.	PART NAME	DESCRIPTION	Material	QTY.
1	BOTTOM COVER	205X158X46	ALUMINIUM DIE CAST	1
2	TOP COVER	174X158X76	ALUMINIUM DIE CAST	1
3	GEAR BOX COVER	∅ 104, 123X73	N6	1
4	GEARS WARM WHEEL	48:1 , 86.5X12.7	N6	1
5	GEAR WORM SHAFT	110X12.75	M.S.	1
6	WARM SHAFT	19X175	M.S.	1
7	L-BRAKET	BRACKET CONTACT FIXING	M.S.	1
8	MOLDED CAM	∅ 12.7	PLASTIC	2
9	NAME PLATE	71X33X0.5 (4 HOLES 2MM)	ALUMINIUM	1
10	CONTACT BLOCK	CONTACT BLOCK ASSEMBLY IP-41 40AMP	-	2
11	RING TYPE CIRCLIP	∅ 17 GEAR WORM SHAFT	STAINLESS STEEL	1
12	ALLENKEY SCREW	4X12	M.S.	2
13	E CIRCLIP	11.5 GEAR SHAFT	CARBON STEEL	1
14	ARROW STICKER	ARROW STICKER	-	1
15	BRASS WASHER	18X13X0.5	BRASS	1
16	BUSH	19X10X1/2" CAM FIXING	M.S.	1
17	ERTHING STICKER (GRLS 60 2C IP55)	ERTHING STICKER	-	1
18	RIVET AB4	NAME PLATE RIVET	ALUMINIUM	4
19	SCREW	5X15	M.S.	1
20	M2 ALLENKEY	CAM FIXING	M.S.	1
21	SCREW	CHEESED M6 6X15	M.S.	7
22	SCREW	CHEESED M6 6X20	M.S.	6
23	PLAIN WASHER	11X5.5X1.5	M.S.	4
24	PLAIN WASHER	11X5X1.5	M.S.	5
25	TERMINAL STICKER (GRLS 60 2C IP55)	TERMINAL STICKER	-	1
26	SPRING WASHER	A5	SPRING STEEL	4
27	CONTACT STRIP	CONTACT BREAK STRIP	BRASS	2

COMPANY NAME:  ANAND SYSTEM ENGINEERING PVT LTD

DO NOT SCALE DRAWING

TITLE: GRLS 60 RATIO 2C IP55 2D

EMAIL ID: info@anandcontrol.in

CONTACT NO: 9137620579

SCALE: 1 OF 1

DATE: \_\_\_\_\_ SIGNATURE: \_\_\_\_\_

DRWN: SAURABH

CHKD: \_\_\_\_\_

APPR: \_\_\_\_\_

MFC: \_\_\_\_\_

MATERIAL: \_\_\_\_\_

WEIGHT: \_\_\_\_\_

SHEET: 1 OF 1