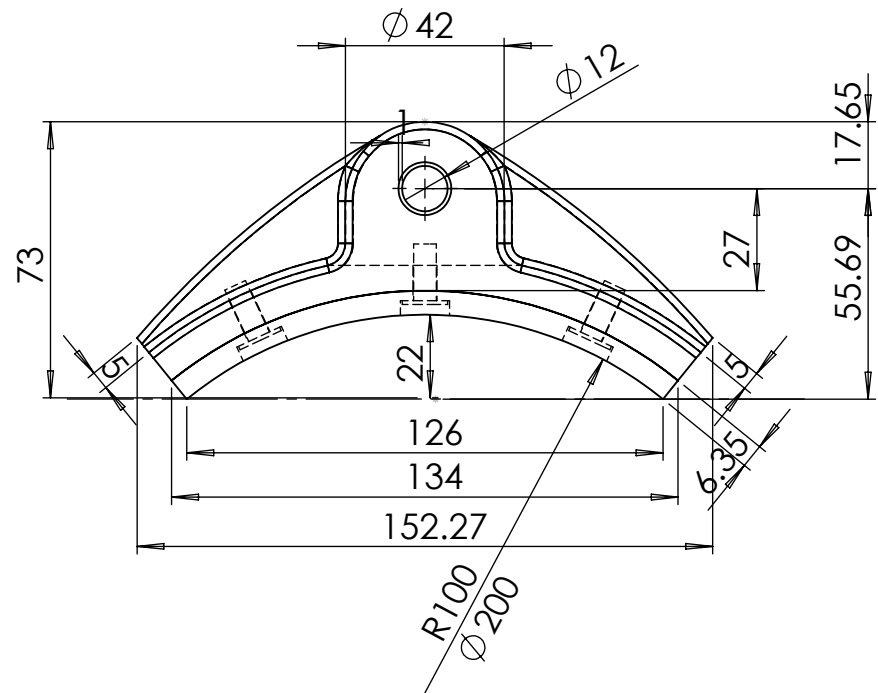
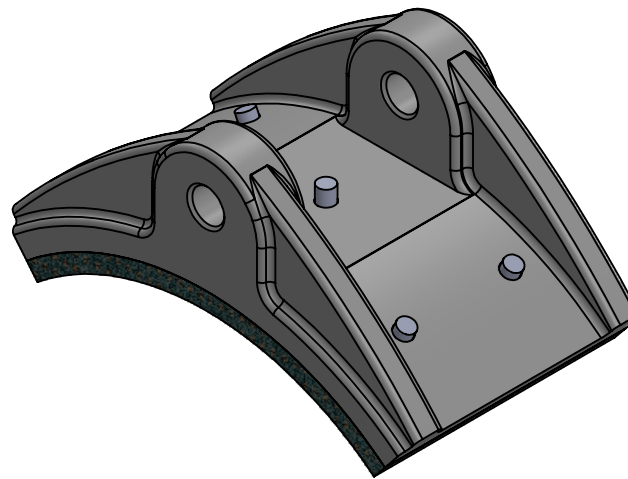
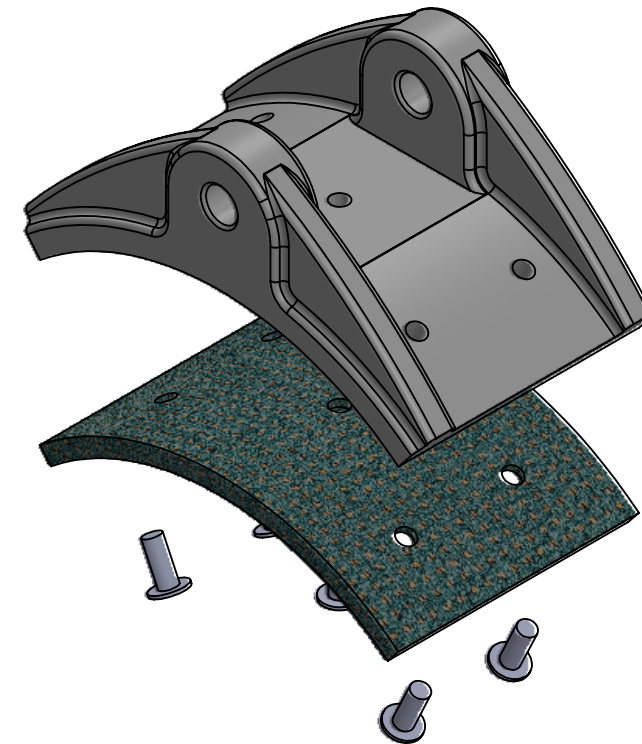
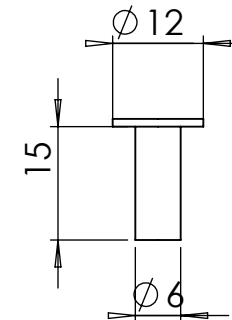
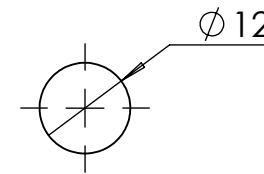
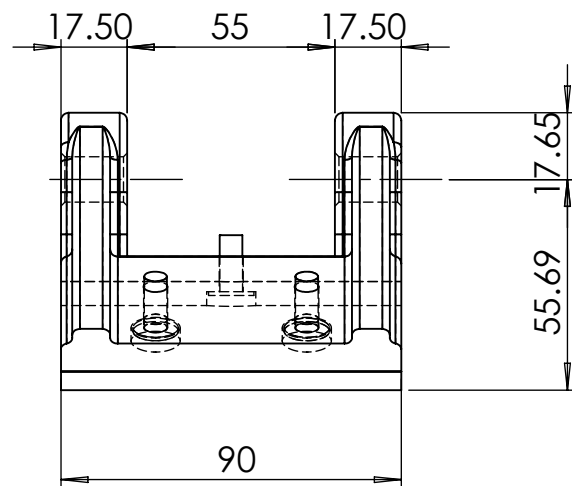


FRONT VIEW

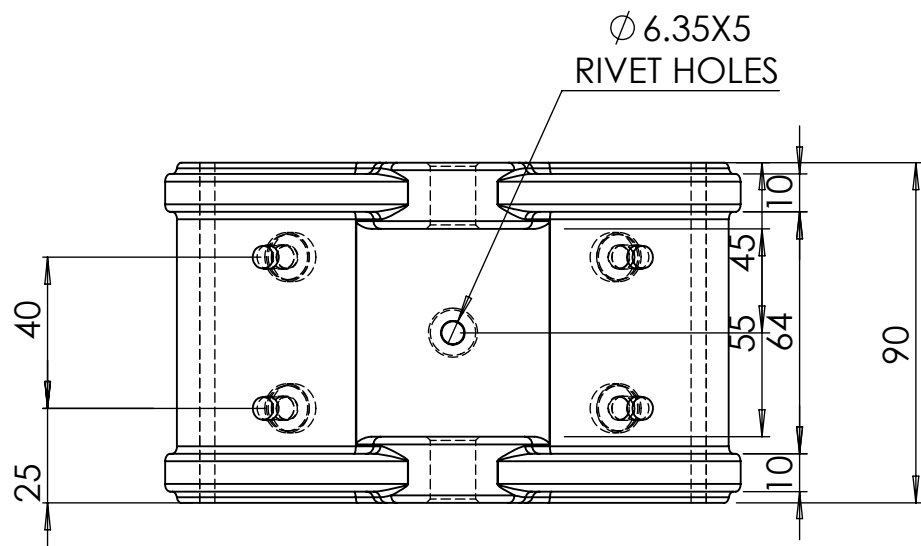


SIDE VIEW



Ø 6.35X5  
RIVET HOLES

TOP VIEW



NAME



**ANAND SYSTEM  
ENGINEERING PVT LTD**

Email id: info@anandcontrol.in

CONTACT NO:9137620579

DO NOT SCALE DRAWING

REVISION

TITLE:

**200 BRAKE  
ASSEMBLY 2D**

DRAWN

CHK'D

APPVD

Q.A

MATERIAL:

WEIGHT:

DWG NO.

DATE

SCALE:1:2

SIGNATURE

SHEET 1 OF 1

A3