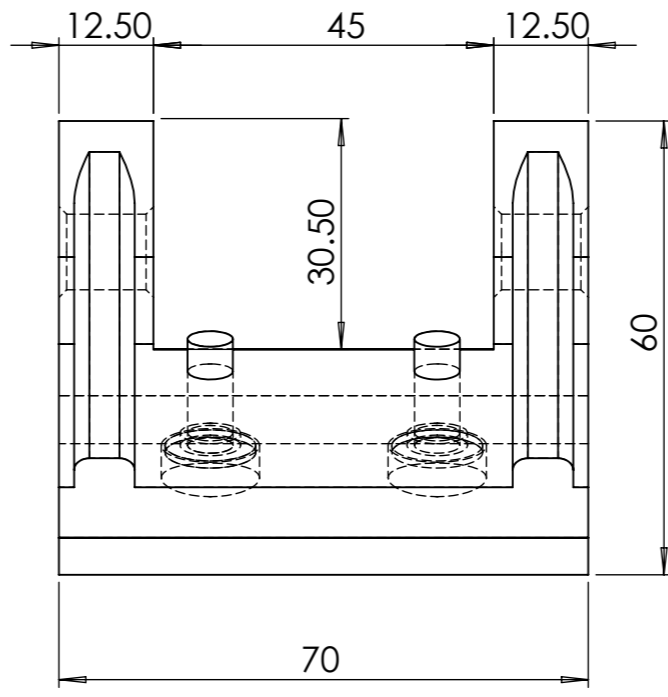
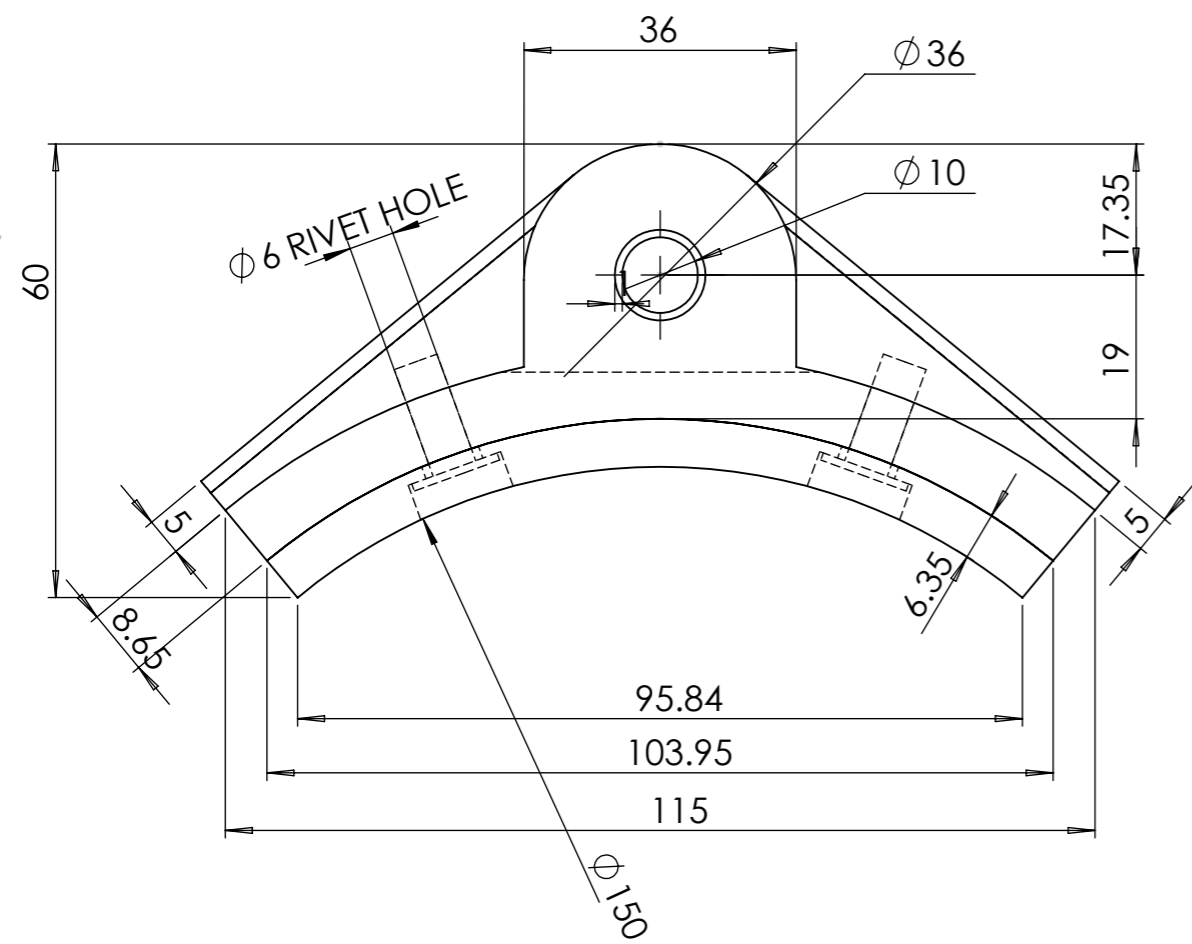
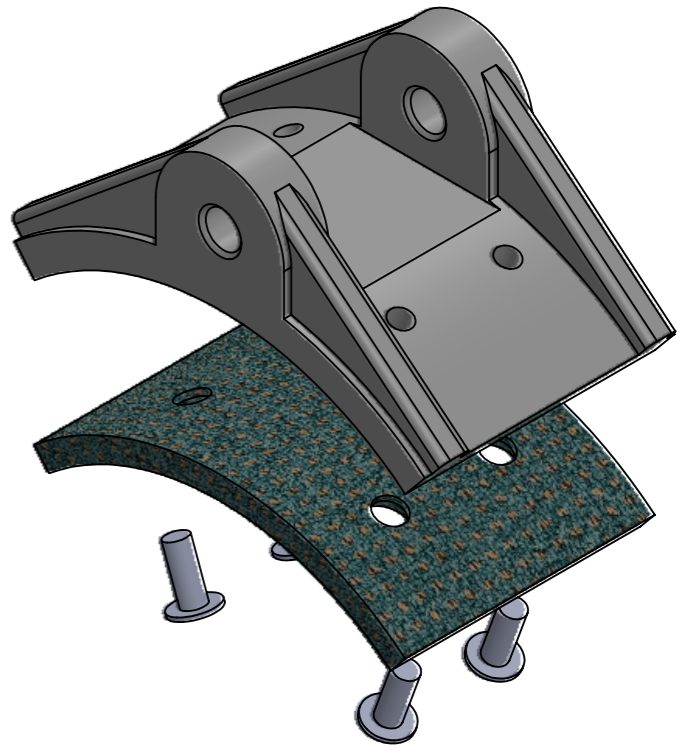
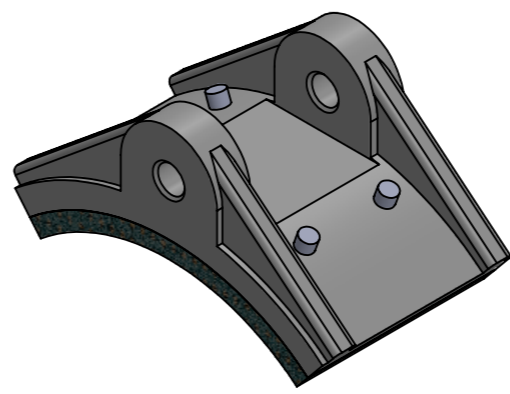
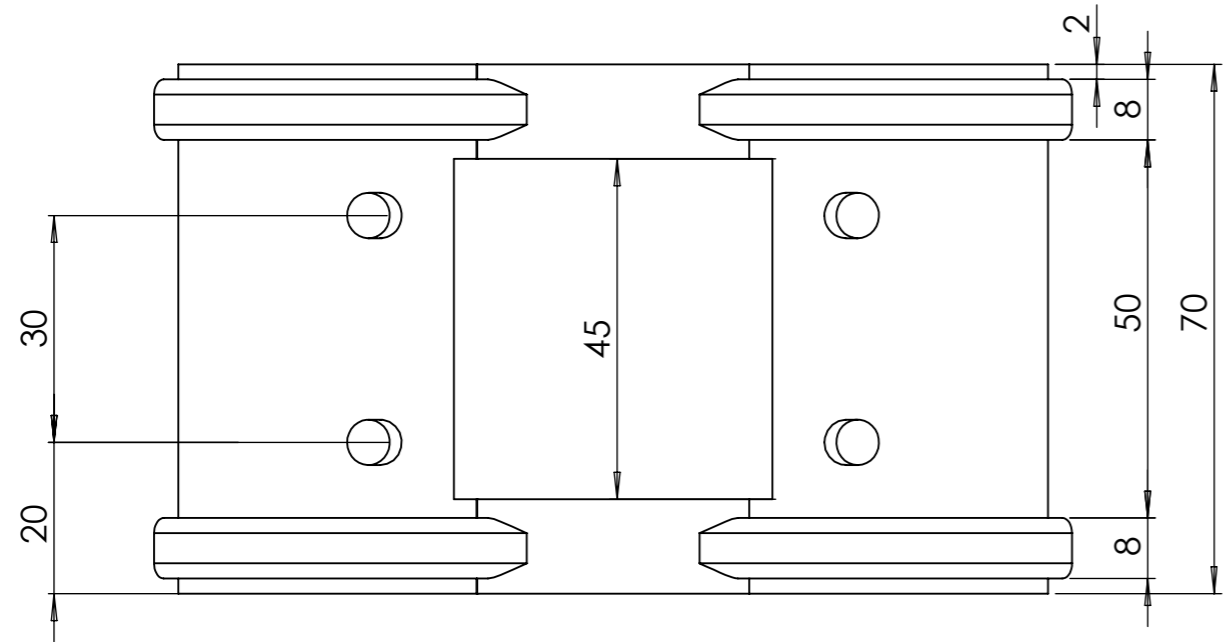


8 7 6 5 4 3 2 1

F  
E  
D  
C  
B  
A



COMPANY NAME:  

**ANAND SYSTEM ENGINEERING PVT LTD**  
 Email id: info@anandcontrol.in  
 CONTACT NO: 9137620579

DO NOT SCALE DRAWING	REVISION
TITLE: <b>150 BRAKE ASSEMBLY 2D</b>	
DWG NO.	A3
DATE	SIGNATURE
SCALE:1:1	SHEET 1 OF 1

DRAWN	MATERIAL:
APPV'D	
CHK'D	
Q.A	WEIGHT:

8 7 6 5 4 3 2 1