

4

3

2

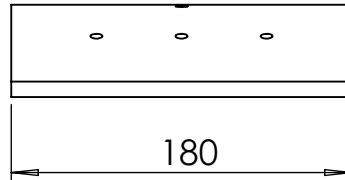
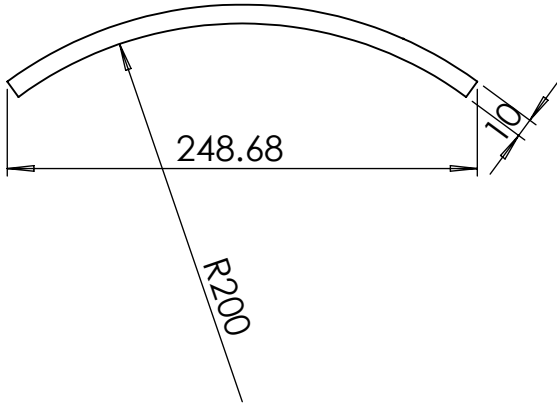
1

F

F

FORNT VIEW

SIDE VIEW

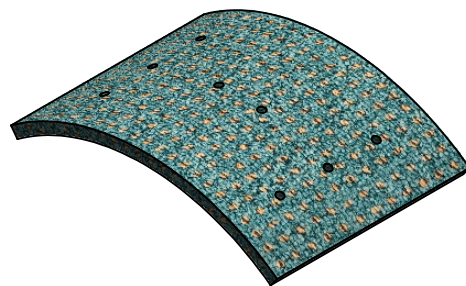
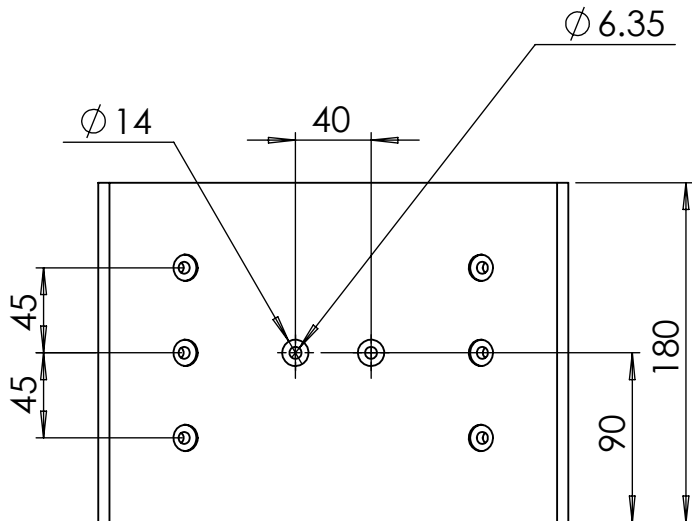


E

E

D

D



C

C

BOTTOM VIEW

B

B

UNLESS OTHERWISE SPECIFIED:  
 DIMENSIONS ARE IN MILLIMETERS  
 SURFACE FINISH:  
 TOLERANCES:  
 LINEAR:  
 ANGULAR:

FINISH:

DEBURR AND  
 BREAK SHARP  
 EDGES

DO NOT SCALE DRAWING

REVISION

10X180

	NAME	SIGNATURE	DATE
DRAWN			
CHK'D			
APPV'D			
MFG			
Q.A			

TITLE:

**BRAKE LINER  
 400-34 2D**

MATERIAL:

DWG NO.

A4

WEIGHT:

SCALE:1:5

SHEET 1 OF 1

4

3

2

1

A

A