

4

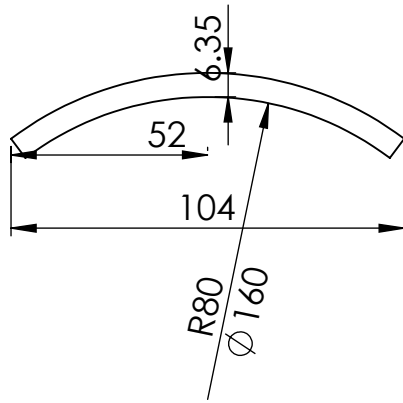
3

2

1

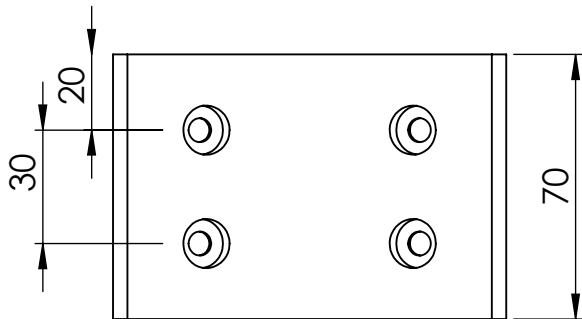
F

F



E

E



D

D

C

C



B

B

UNLESS OTHERWISE SPECIFIED:  
 DIMENSIONS ARE IN MILLIMETERS  
 SURFACE FINISH:  
 TOLERANCES:  
 LINEAR:  
 ANGULAR:

FINISH:

DEBURR AND  
 BREAK SHARP  
 EDGES

DO NOT SCALE DRAWING

REVISION

	NAME	SIGNATURE	DATE
DRAWN			
CHK'D			
APPV'D			
MFG			
Q.A			

TITLE:

**160-18 KG BRAKE  
 LINER**

MATERIAL:

ASBESTOS

DWG NO.

A4

WEIGHT:

SCALE:1:2

SHEET 1 OF 1

4

3

2

1

A

A