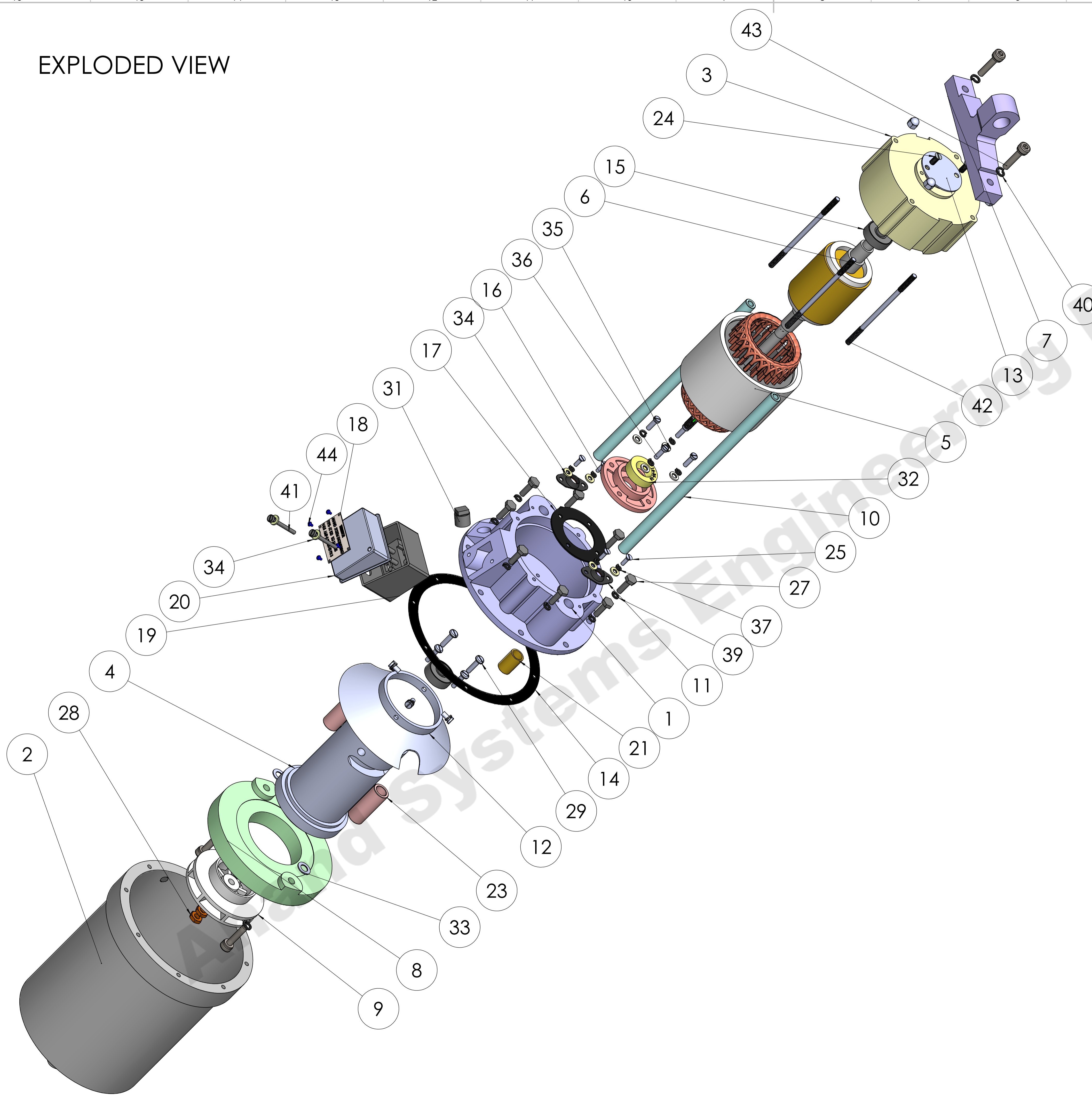


# EXPLODED VIEW



ITEM NO.	PART NAME	DESCRIPTION	Material	QTY.
1	C.I.END COVER	175X69	CAST IRON	1
2	C.I.TANK	175X185, ID-150	CAST IRON	1
3	C.I.END SHIELD	120X59, ID-108	CAST IRON	1
4	OIL TUBE	151X88	CAST IRON	1
5	STATOR	108X74	ALUMINIUM / STEEL	1
6	ROTAR	354X62, 150 WATT	ALUMINIUM	1
7	THRUST BAR.	L-158,H-76, W-25,PCD-127,HOLES- Ø8.5	CAST IRON	1
8	PLUNGER	OD-149.8, H-27	CAST IRON	1
9	IMPELLER	90X30	ALUMINIUM/PLASTIC	1
10	GUIDE ROD	285X12.7	CAST IRON	2
11	GUIDE ROD SEAL	ID-12, 2HOLE Ø5	PLASTIC, BRASS	2
12	BUFFLE	147X35	ALUMINIUM	1
13	END SHIELD BEARING PLATE	52X 1.5, Ø6X2HOLES	M.S.	1
14	GASKET END COVER	172X149X1.5,	RUBBER	1
15	BEARING 6201	32X12	CARBAN CROME STEEL	2
16	BEARING CAP	70X20	NYLON	1
17	BEARING CAP GASKET	72X42X1.5,4 HOLES Ø5, PCD 56	PLATIC	1
18	NAME PLATE	61X 43	ALUMINIUM	1
19	TERMINAL BOX	78X78	PLASTIC	1
20	TERMINAL BOX COVER	78X78	PLASTIC	1
21	BRASS BUSH	25X12.7X19	BRASS	2
22	SCREW	BUFFLE SCREW 5X10	M.S.	4
23	SPACER	19X12.7X49	M.S.	2
24	SCREW CSK	END BUSH 5X10 CSK	M.S.	2
25	SCREW CSK	CSK 4X8, GUIDE ROD SEAL	M.S.	4
26	DOMNUT	ID 6MM	M.S.	4
27	HEX BOLT	M8, 8X20, END COVER FIXING	M.S.	8
28	LOCK NUT	5/16", ID 7MM	M.S.	2
29	SCREW	CHEESED HEAD 5X20	M.S.	4
30	OIL PLUG 1-8	9.5X12, 1/8 BSP	M.S.	2
31	OIL PLUG 3-8	16.5X13, 3/8 BSP	M.S.	1
32	OIL SEAL	27X15X7	RUBBER	1
33	PLAIN WASHER	16X8.5X1	M.S.	3
34	PLAIN WASHER	11X4.5X1.5	M.S.	6
35	PLAIN WASHER	11X5.5X1.5	M.S.	4
36	SCREW	5X15, BUFFLE COVER	M.S.	4
37	SPRING WASHER	M4	SPRING STEEL	4
38	SPRING WASHER	M5	SPRING STEEL	8
39	SPRING WASHER	M6	SPRING STEEL	8
40	SPRING WASHER	M8	SPRING STEEL	4
41	CHZ SCREW	CHEESED HEAD 4X40, TERMINAL FIXING SCREW	M.S.	2
42	STUD 34KG	125X5	M.S.	4
43	ALENKEY BOLT M8 20X8	M8, 20X8, ROD FIXING	M.S.	4
44	RIVET AB4	NAME PLATE FIXING	ALUMINIUM	4

COMPANY NAME: **ANAND SYSTEM ENGINEERING PVT LTD**

DO NOT SCALE DRAWING

REVISION

TITLE: **34 KG THRUSTER 2D**

Email id: [info@anandcontrol.in](mailto:info@anandcontrol.in)

CONTACT NO. 9137620579

DATE: 23/08/2024

SIGNATURE

SCALE: 1:1

SHEET 1 OF 2

DRAWN: SAURABH

CHEK:

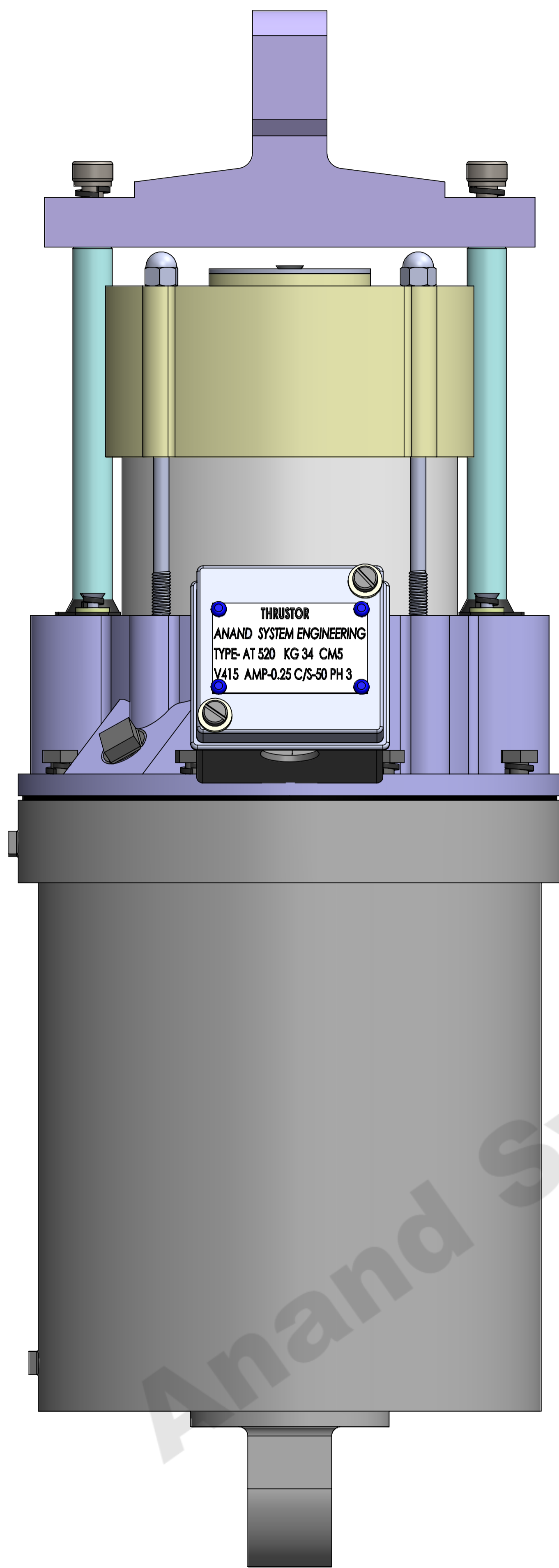
APPV'D:

MFG:

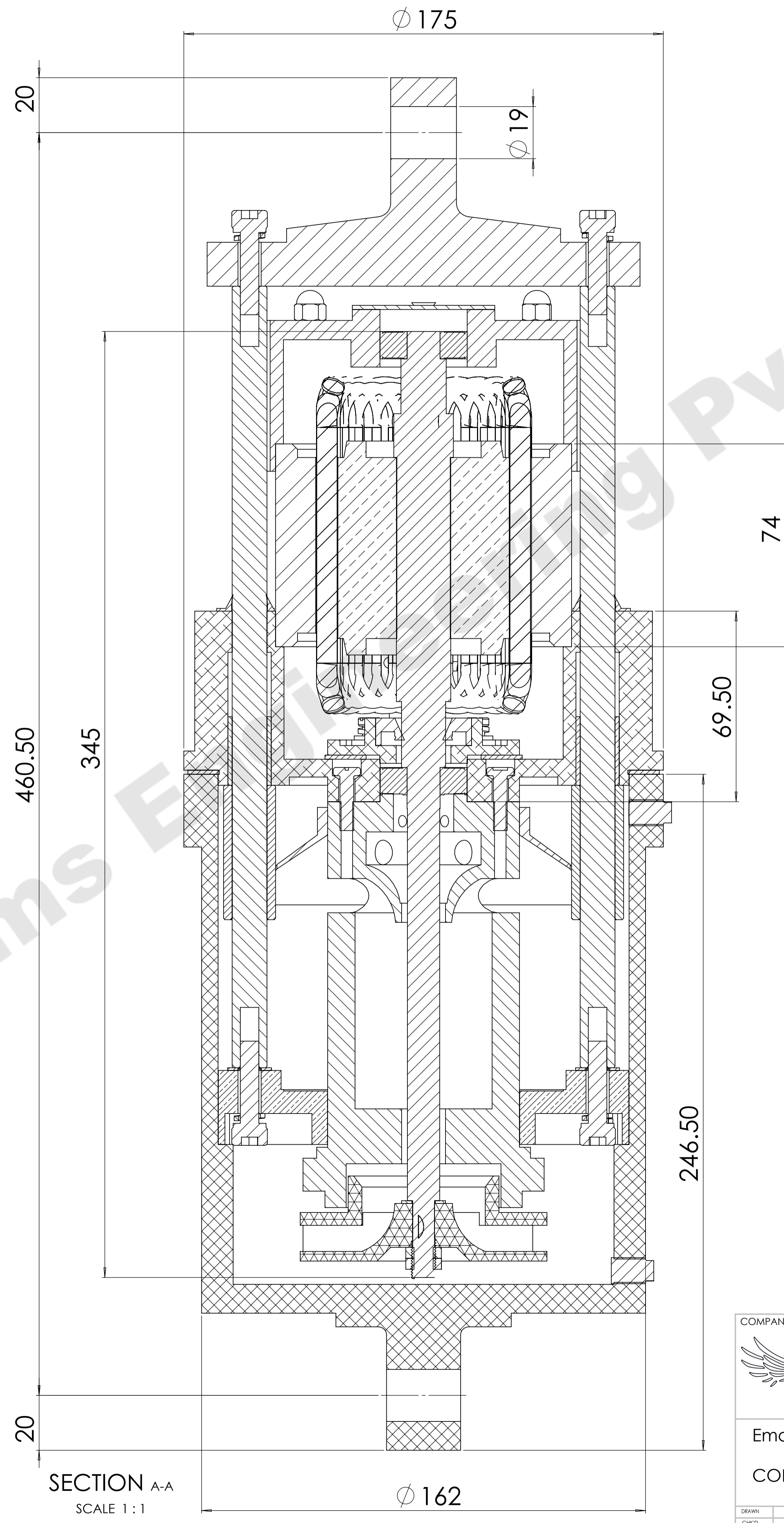
MATERIAL:

WEIGHT:


A1



THRUSTER  
 ANAND SYSTEM ENGINEERING  
 TYPE-AT 520 KG 34 CM5  
 V415 AMP-0.25 C/S-50 PH 3



SECTION A-A  
 SCALE 1 : 1

COMPANY NAME		ANAND SYSTEM ENGINEERING PVT LTD		DO NOT SCALE DRAWING	REVISION
		Email id: info@anandcontrol.in CONTACT NO: 9137620579		TITLE: <b>34 KG THRUSTER 2D</b>	
DATE	23/08/2024	SIGNATURE		DWG NO.	
SCALE	1:1	SHEET	2 OF 2		