



ANAND
Systems Engg. Pvt. Ltd.

**SAFELINK
W
BOLT TYPE**

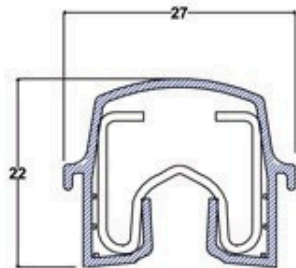
SAFELINK W CONDUCTOR BAR RATINGS

60/100/125- GALVANISED STEEL
160/250/400-COPPER
200/315-ALUMINIUM/SS

Safelink Conductor bars are used for power transmission. Conductor rail provide a safe & economical supply of electric power for track guide mobile machinery. Single pole individually insulated conductors. Ideally used for EOT crane.

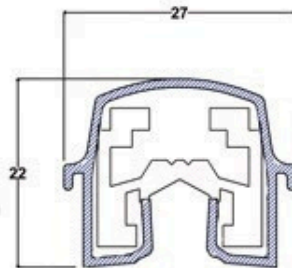
- Insulated Conductors are touch proof, no exposed live parts to contacts
- Quick & Easy Installation with 1 Pole and 4 Pole Hanger
- 4.5 Meters Bar Length
- Cover Designed to shed water and dust
- Joint Cover provides total protection of joints
- Enclosed Wiring for connection on collectors
- No Expansion Joints upto 150 Meters long System

PRODUCT DETAILS



Copper / G.I. Profile

Safelink W series
GI 60/100/125/160 Amps
Cu 160/250/400 Amps



Aluminium Profile

Safelink W series
200/315 Amps

Safelink W series conductor bars are finger safe, insulated and accident free.

www.anandcontrol.in

116 Acharya Ind. Est., Andheri Kurla Road, Sakinaka,
Mumbai - 400072, Maharashtra, India.

91376-20579
www.anandcontrol.in



Safelink W DSL Busbar

TECHNICAL DATA

CONDUCTOR BAR	GALVANIZED IRON				COPPER			ALUMINIUM WITH SS STRIP		
Nominal Current	60A	100A	125A	160A	250A	400A	200A	315A	400A	
Cross Sectional Area (sq mm)	52.8	66	93	52.8	66	93	115	132	170	
DC Resistance Ohms/M	0.003584	0.00286	0.00193	0.000342	0.000274	0.000184	0.000301	0.000261	0.000199	
Impedence Ohms/M	0.003604	0.00289	0.00196	0.000364	0.0003	0.000221	0.000325	0.000288	0.000234	
Ambient Temperature Range	-30°C + 55°C									
Support Pitch	Standard					1500MM				
	Lateral					1125mm				
Bar Length	4500mm									
Protection Class (Finger Safe)	IP21									
Conductor Joint	Bolt Type									
CONDUCTOR BAR COVER										
Standard Insulation	PVC									
Maximum System Working Temperature	80°C									
Flame Test	Self Extinguishing									
Colour	RYBG									
INSTALLATION										
Hanger Clamps	1 pole / 4pole									
Power Feeding	At joint or at any location									
Installation suitable for	Indoor / outdoor									
OTHER ACCESSORIES										
Isolating Sections,High Temp. Sleeves For 120 °C										

www.anandcontrol.in

116 Acharya Ind. Est.,Andheri Kurla Road,Sakinaka,
Mumbai - 400072,Maharashtra,India.

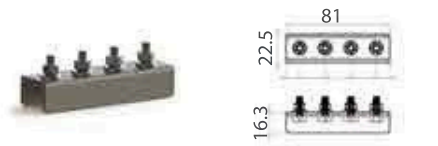
91376-20579
info@anandcontrol.in



Accessories Safelink W



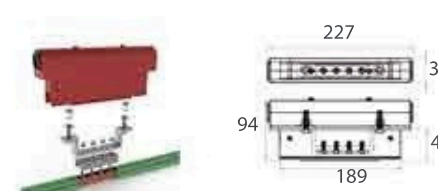
W-Type End Cap
Material – GI/AL/Cu



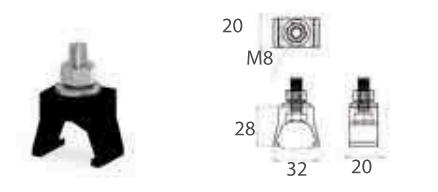
W-Type Joint Clamp
Material – GI/AL/Cu



W-Type Joint Cover
Material – PPCP B120



W-Type Center Power Feed
Material – GI/AL/Cu



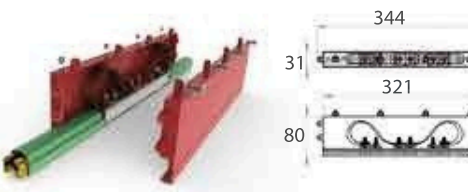
W-Type Anchor Clamp
Material – GFN 30%



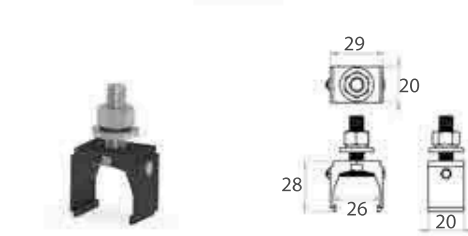
W-Type 4 Pole Hanger Clamp
Material – Derlin & GFN



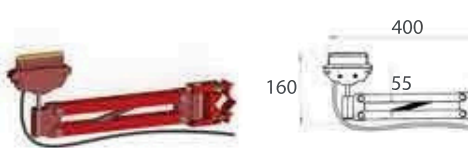
W-Type End Cover
Material – GI/AL/Cu



W-Type Expansion Joint
Material – GI/AL/Cu



W-Type Anchor Clamp
Material – GFN 30%



W-Type Current Collector

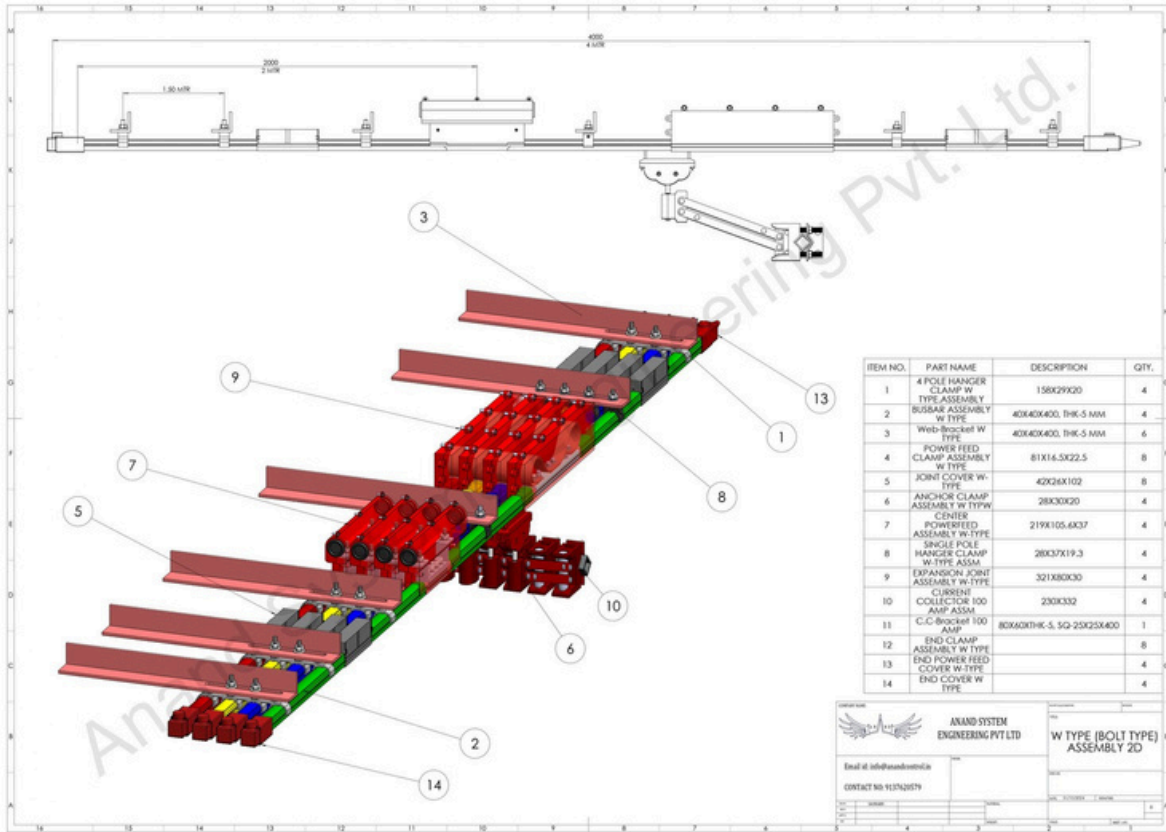
www.anandcontrol.in

116 Acharya Ind. Est., Andheri Kurla Road, Sakinaka,
Mumbai - 400072, Maharashtra, India.

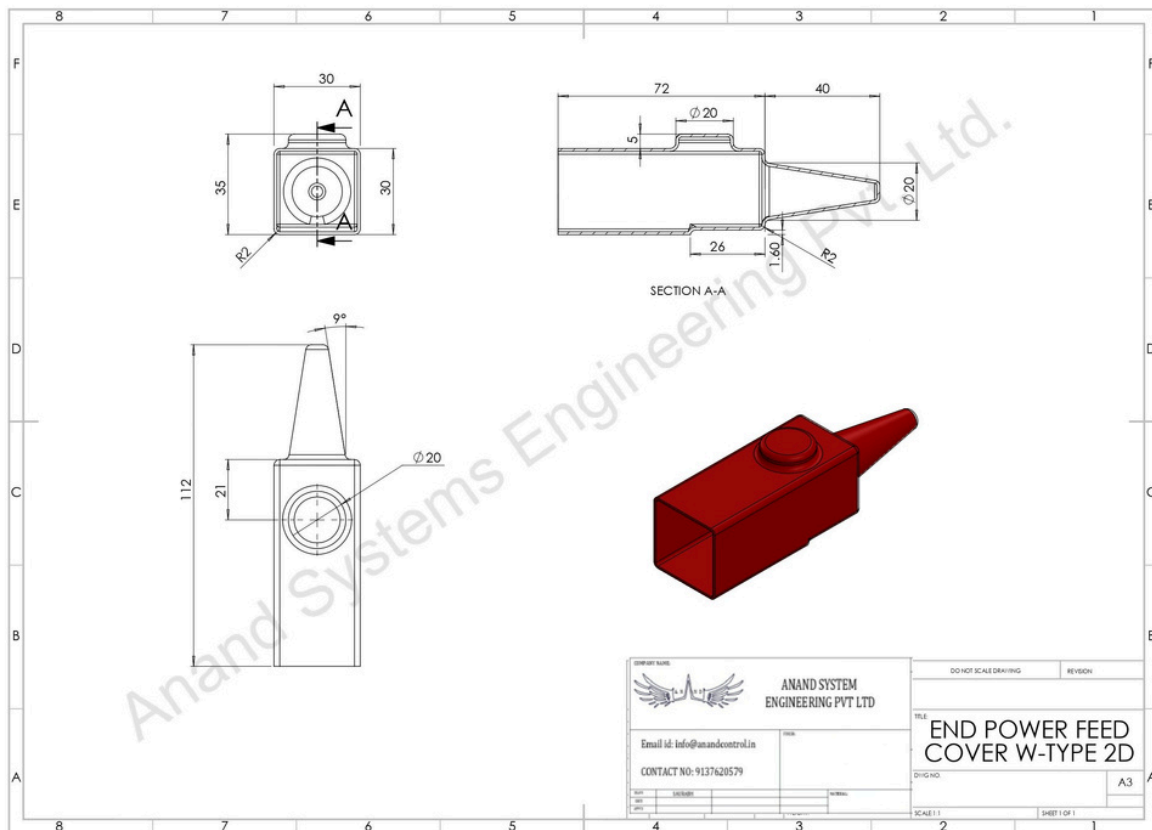
91376-20579
info@anandcontrol.in



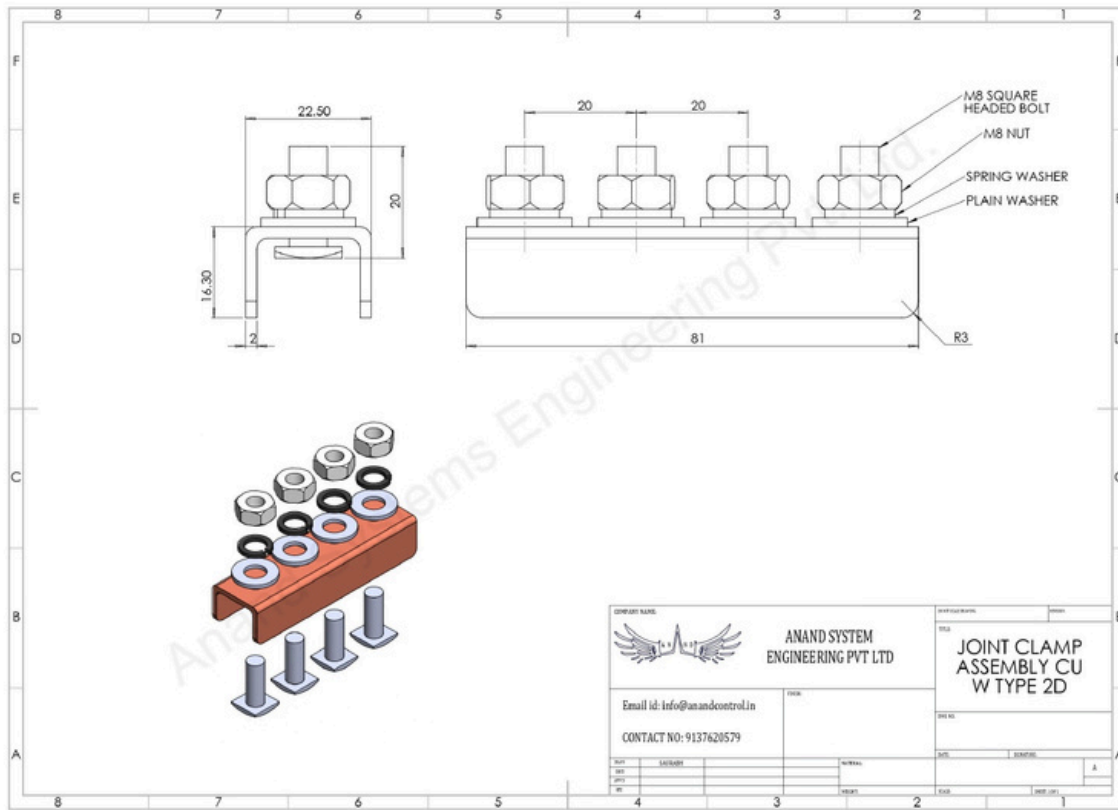
2D DRAWING OF W TYPE (BOLT TYPE) ASSEMBLY



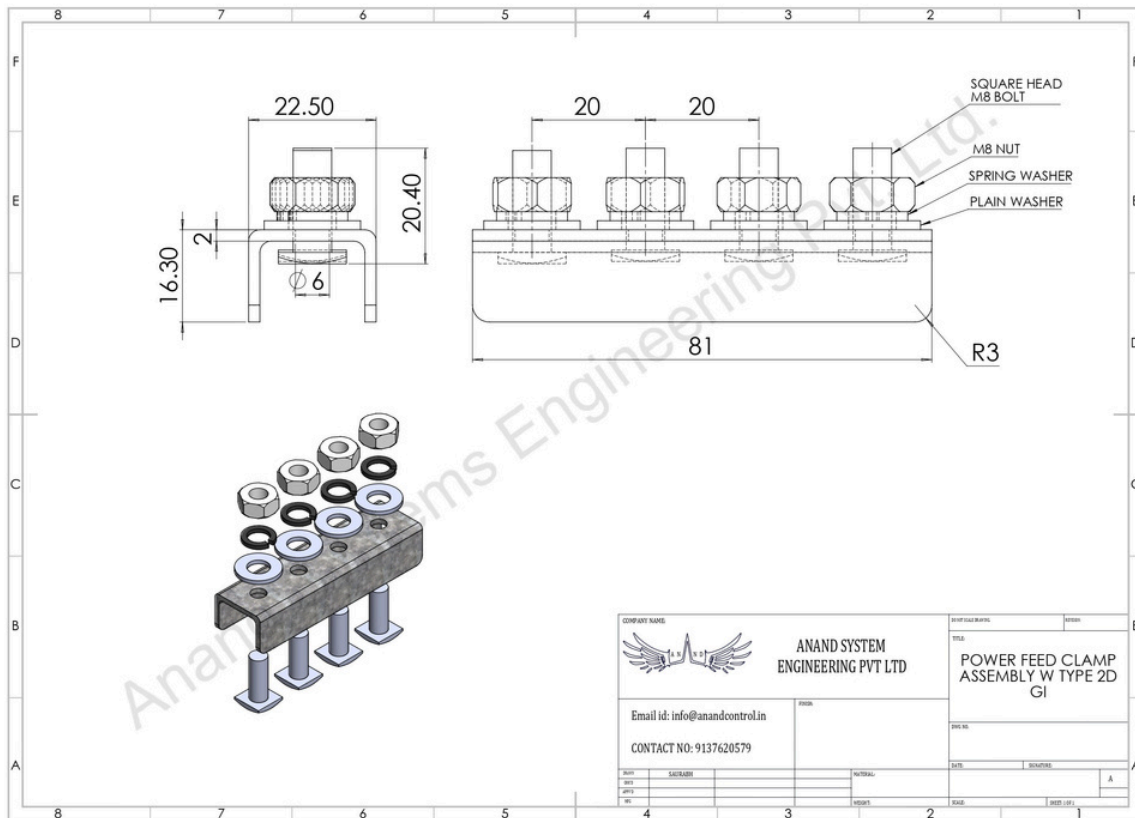
2D DRAWING OF END POWER FEED



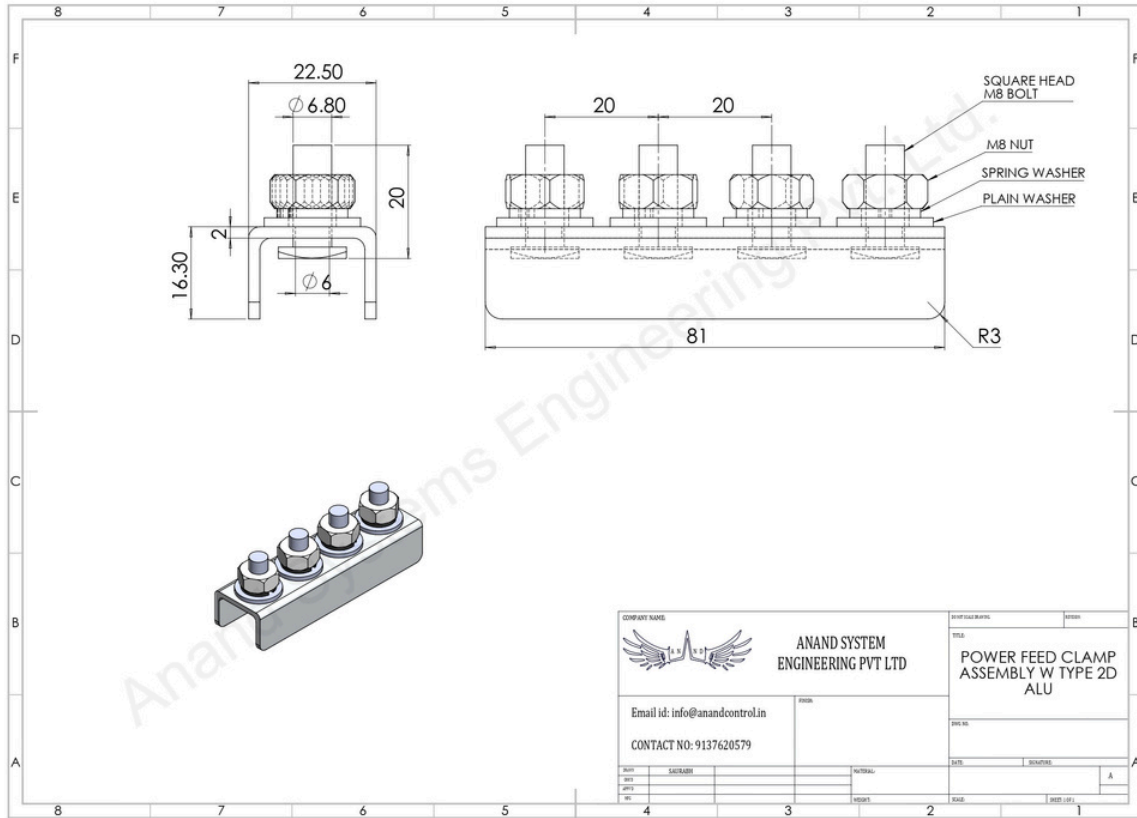
2D DRAWING OF JOINT CLAMP CU W TYPE ASSEMBLY



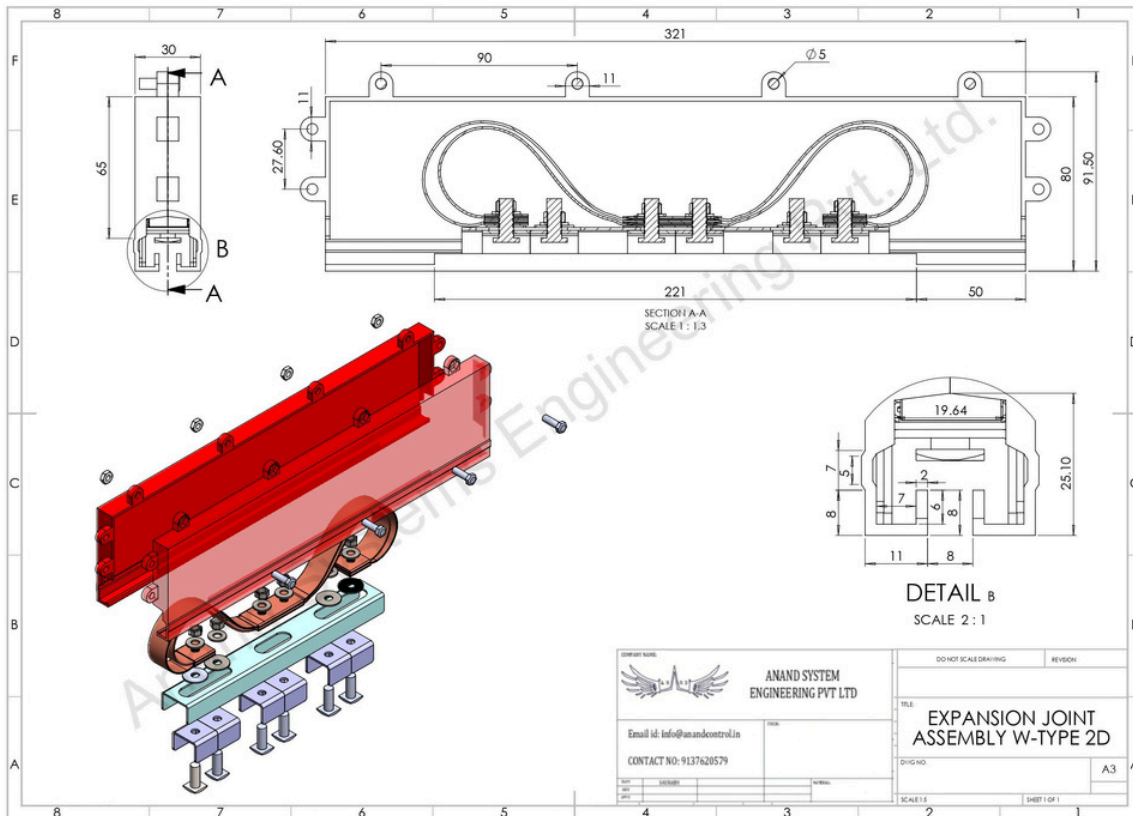
2D DRAWING OF JOINT CLAMP GI W TYPE ASSEMBLY



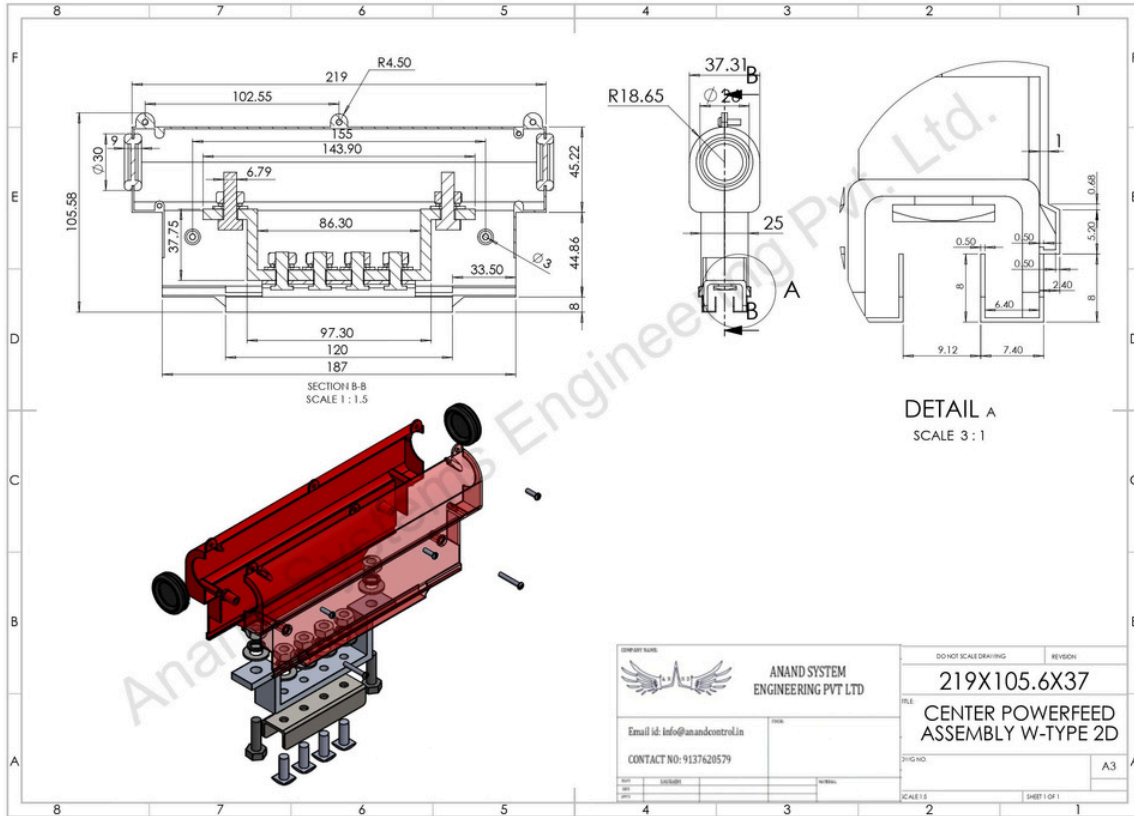
2D DRAWING OF JOINT CLAMP ALU W TYPE ASSEMBLY



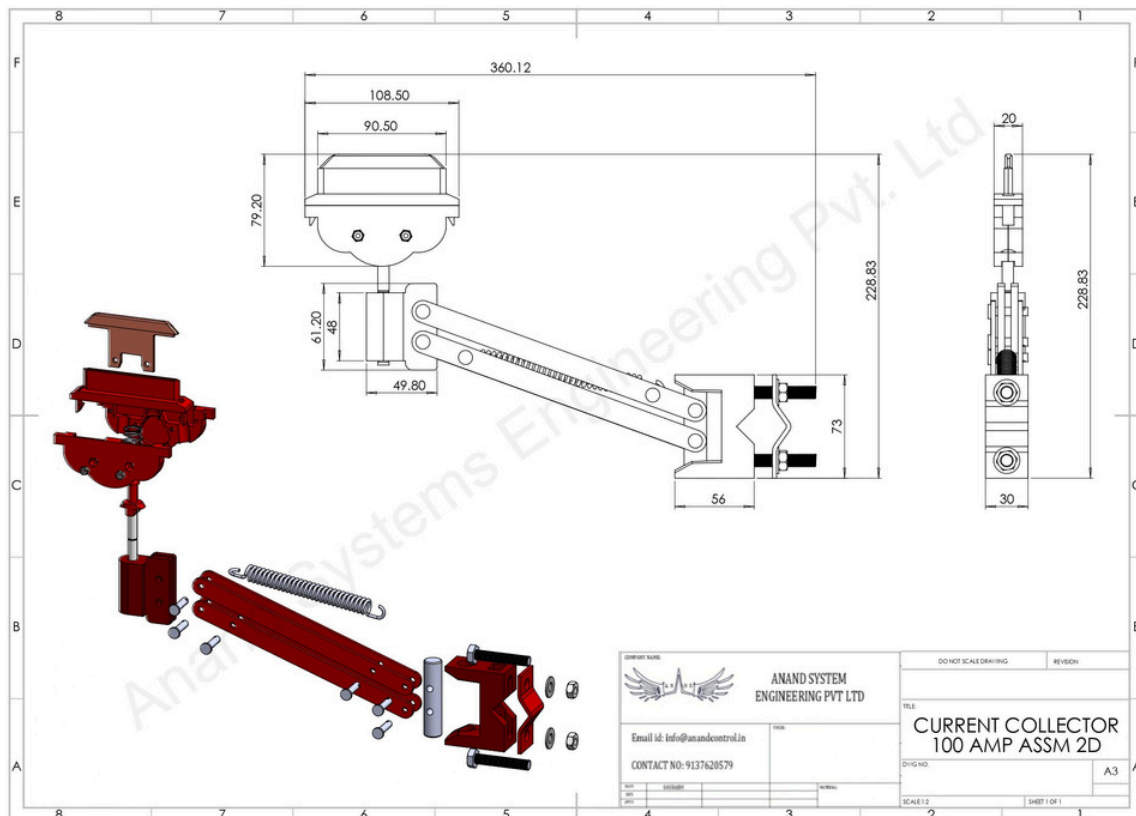
2D DRAWING OF EXPANSION JOINT W TYPE ASSEMBLY



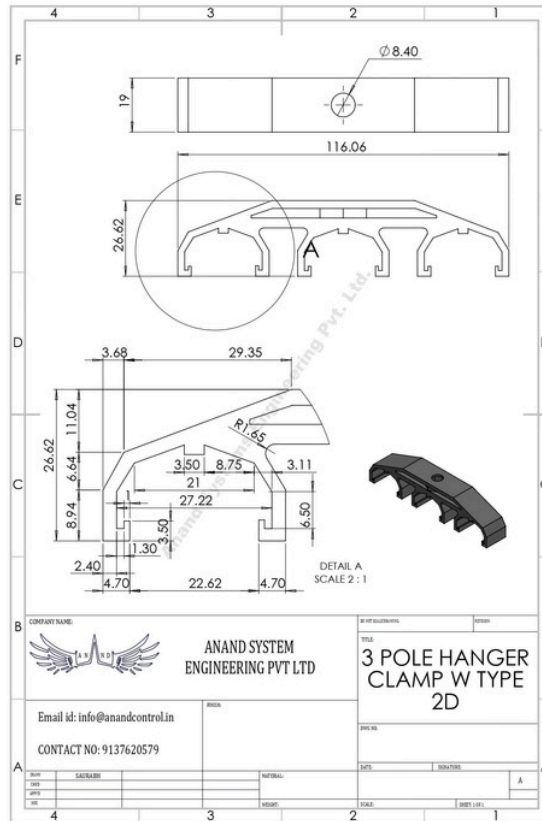
2D DRAWING OF CENTER POWERFEED W TYPE ASSEMBLY



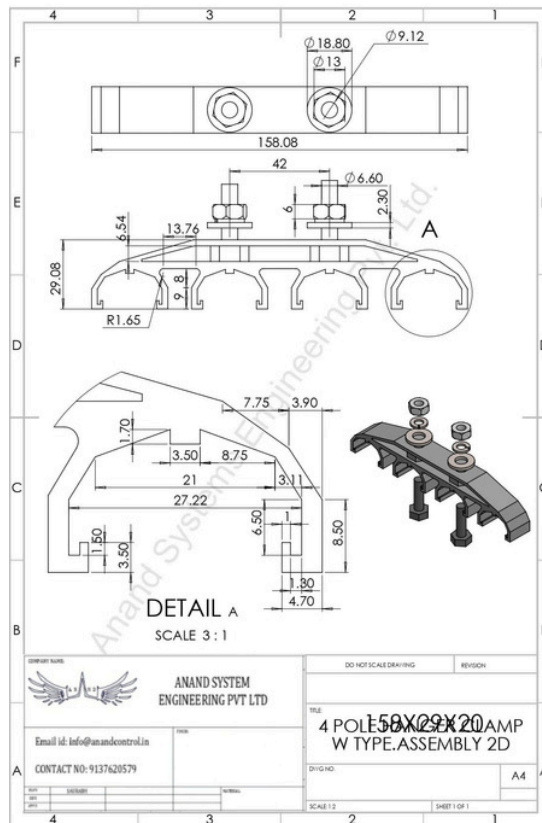
2D DRAWING OF CURRENT COLLECTOR 100AMP W TYPE ASSEMBLY



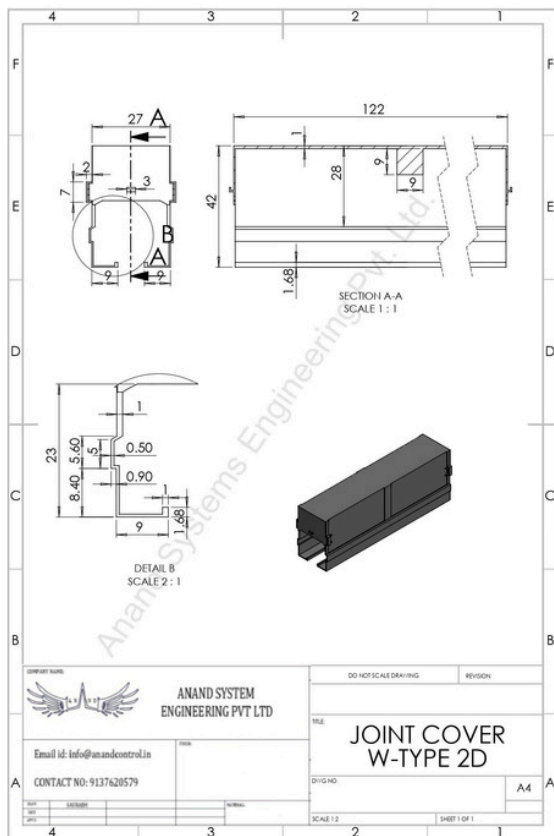
2D DRAWING OF 3 POLE HANGER CLAMP



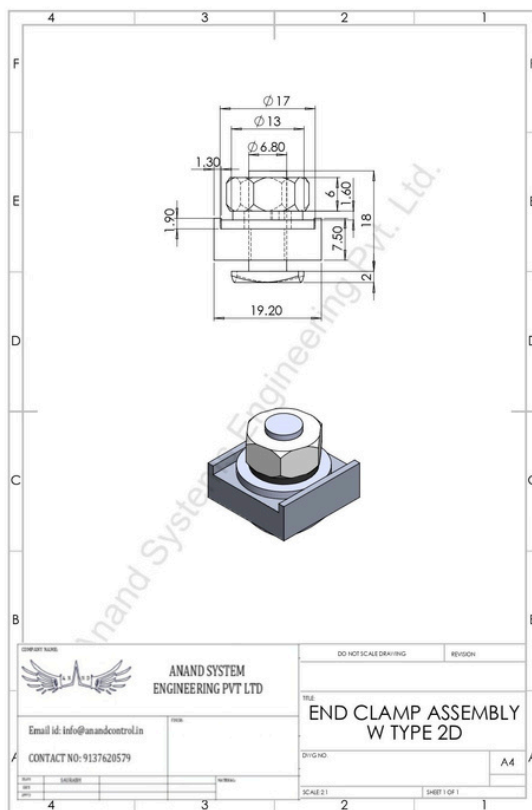
2D DRAWING OF 4 POLE HANGER CLAMP



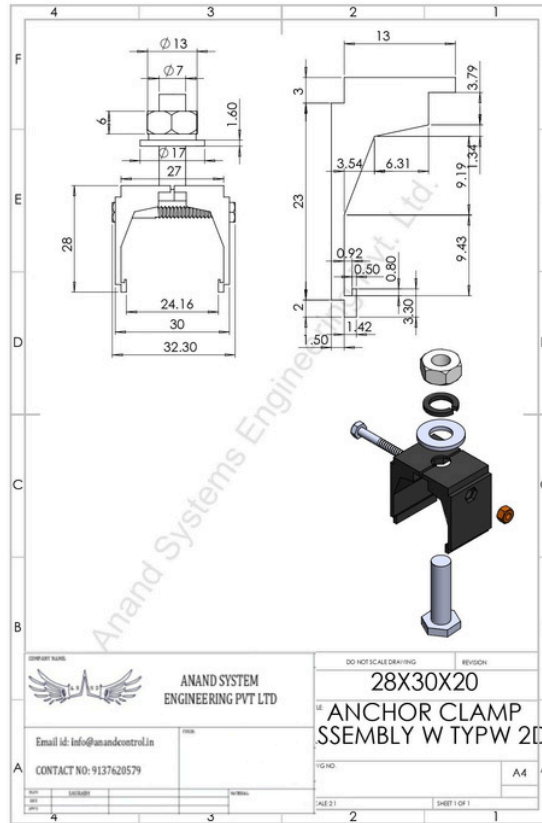
2D DRAWING OF JOINT COVER



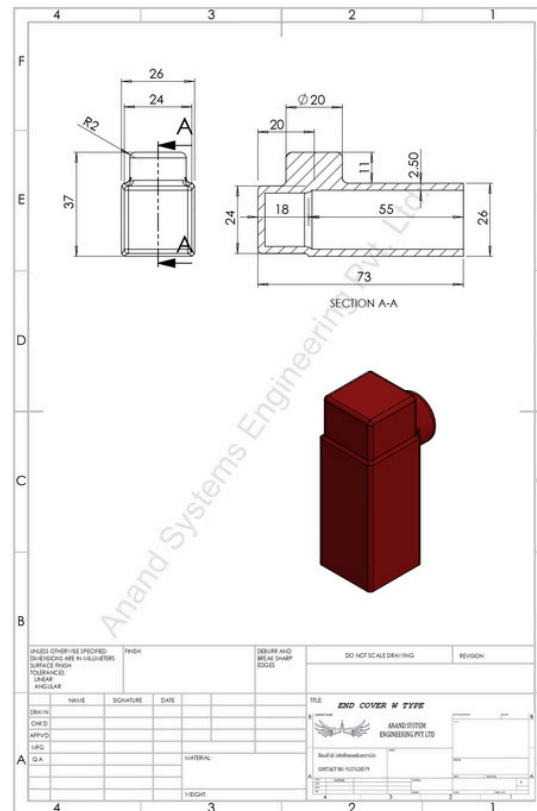
2D DRAWING OF END CLAMP



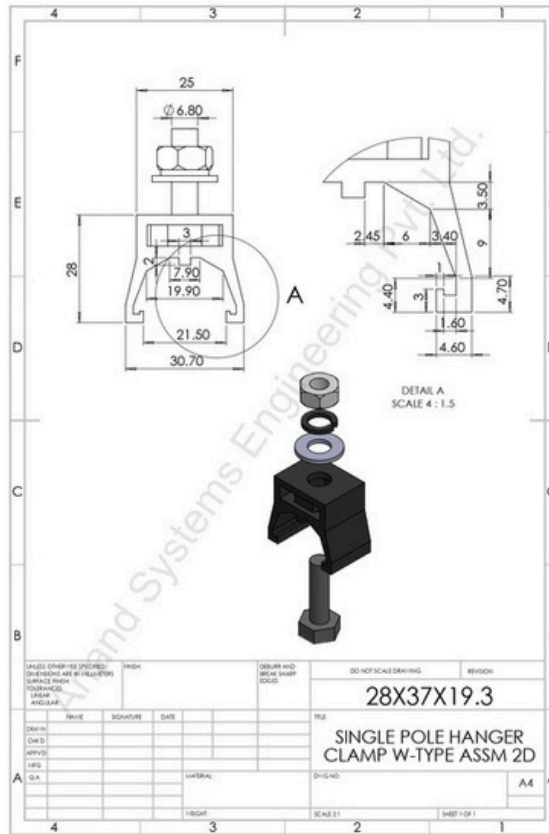
2D DRAWING OF ANCHOR CLAMP



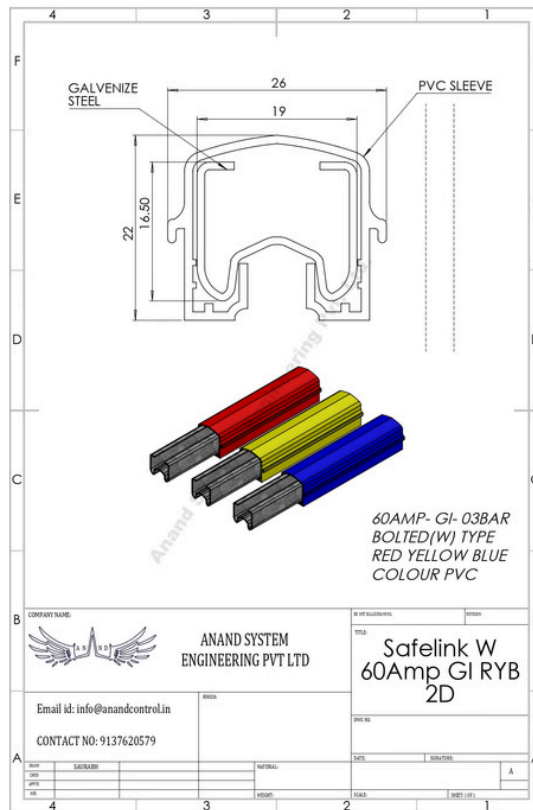
2D DRAWING OF END COVER



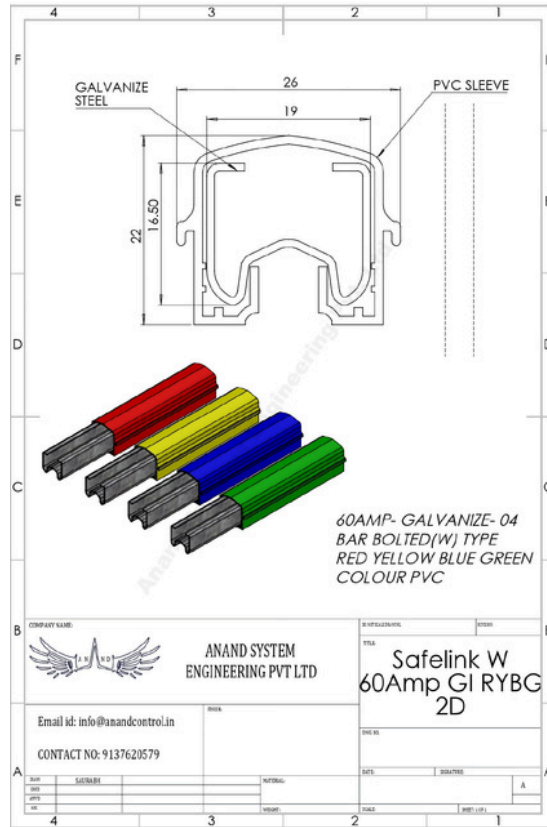
2D DRAWING OF SINGLE POLE HANGER CLAMP



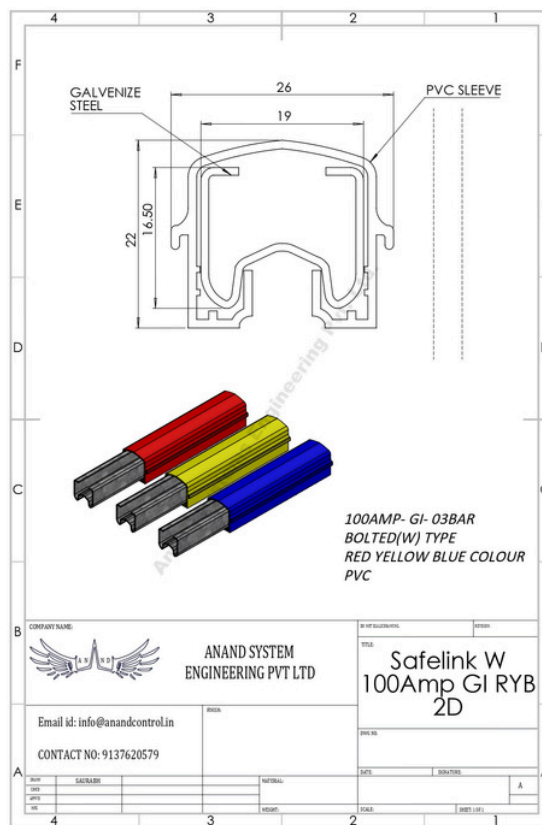
2D DRAWING OF SAFELINK W 60AMP GI RYB



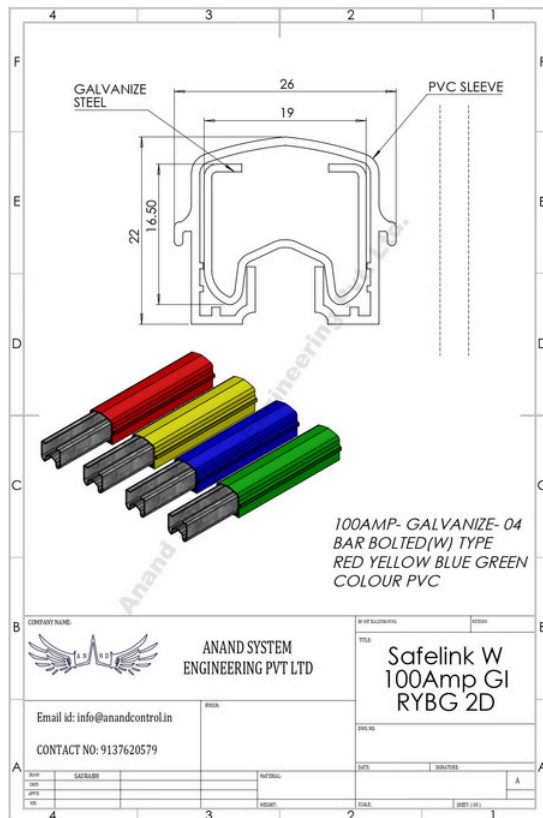
2D DRAWING OF SAFELINK W 60AMP GI RYBG



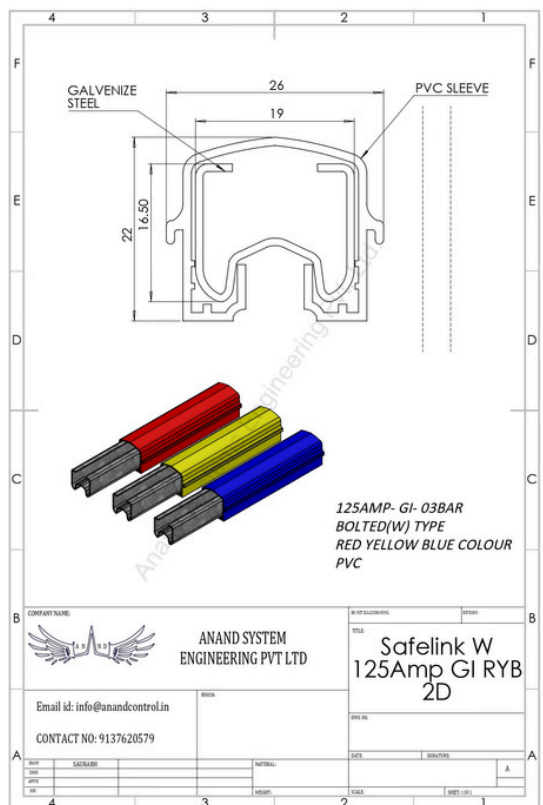
2D DRAWING OF SAFELINK W 100AMP GI RYB



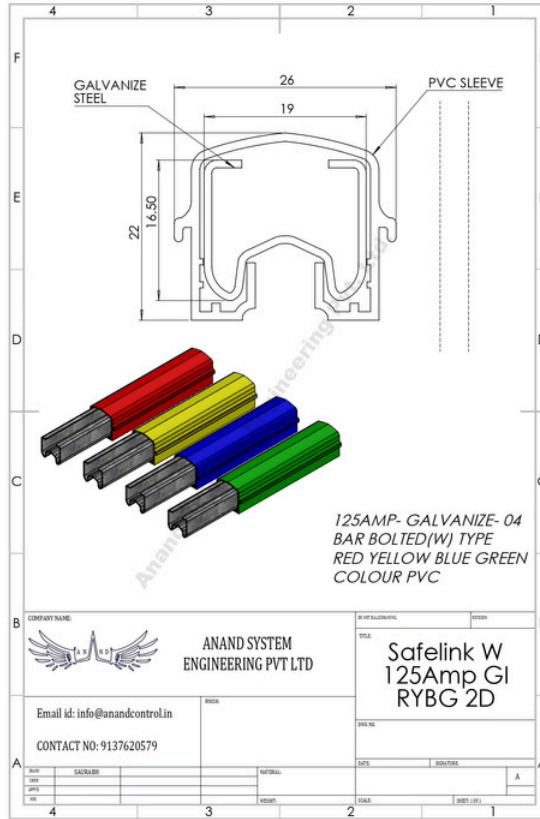
2D DRAWING OF SAFELINK W 100AMP GI RYBG



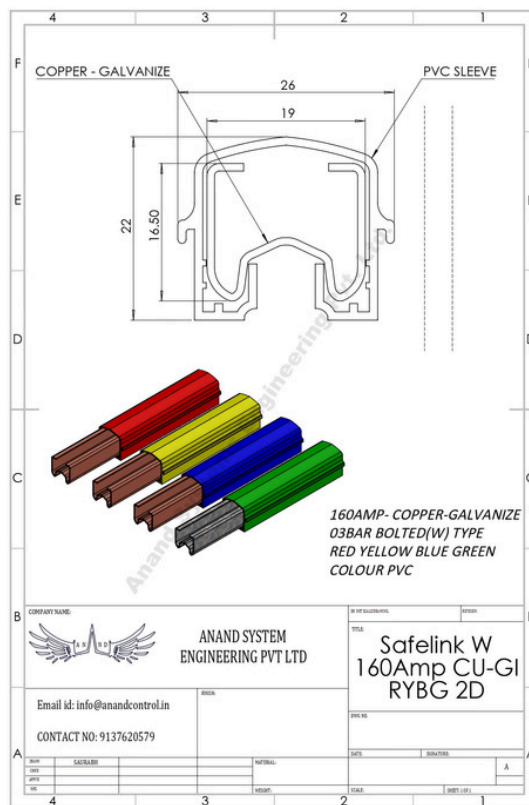
2D DRAWING OF SAFELINK W 125AMP GI RYB



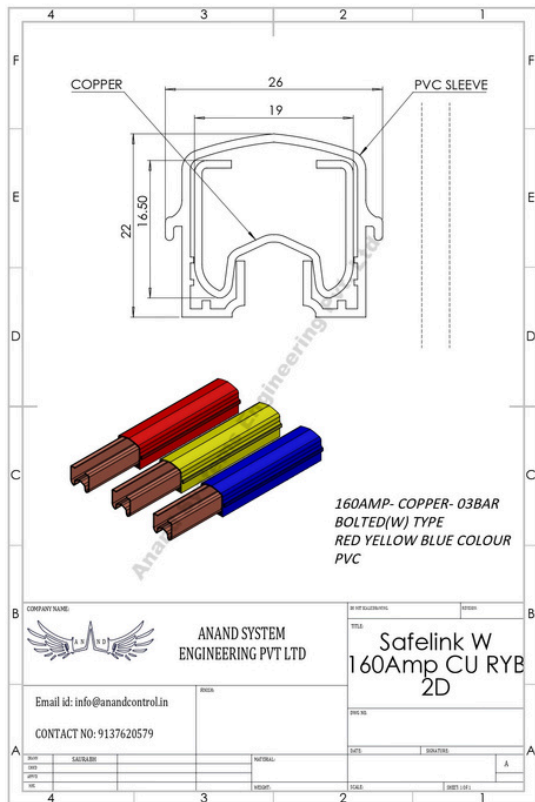
2D DRAWING OF SAFELINK W 125AMP GI RYBG



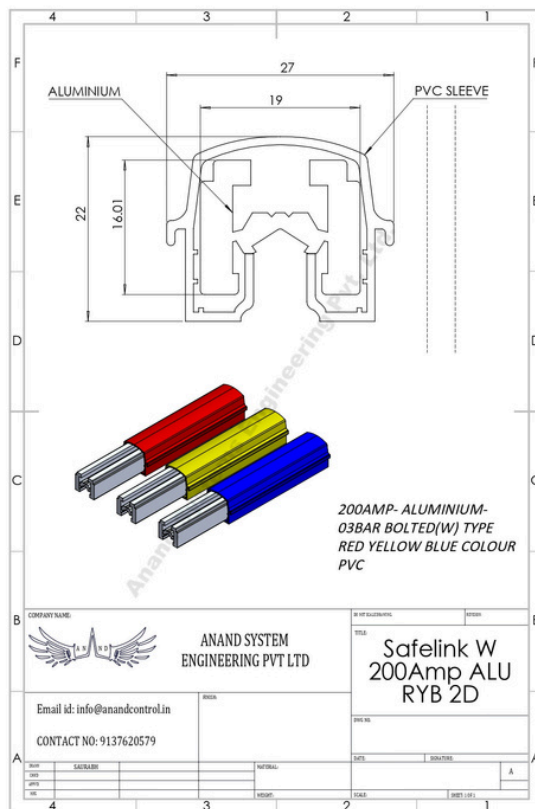
2D DRAWING OF SAFELINK W 160AMP cu-gi RYB



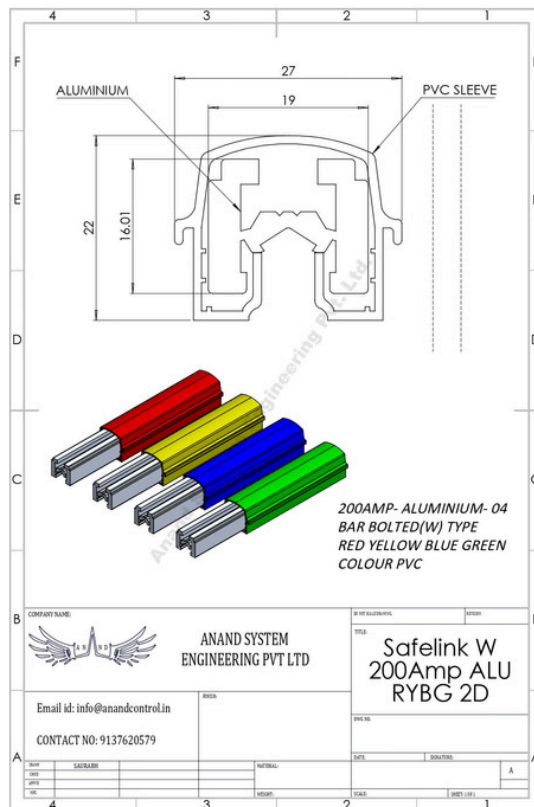
2D DRAWING OF SAFELINK W 160AMP cu RYB



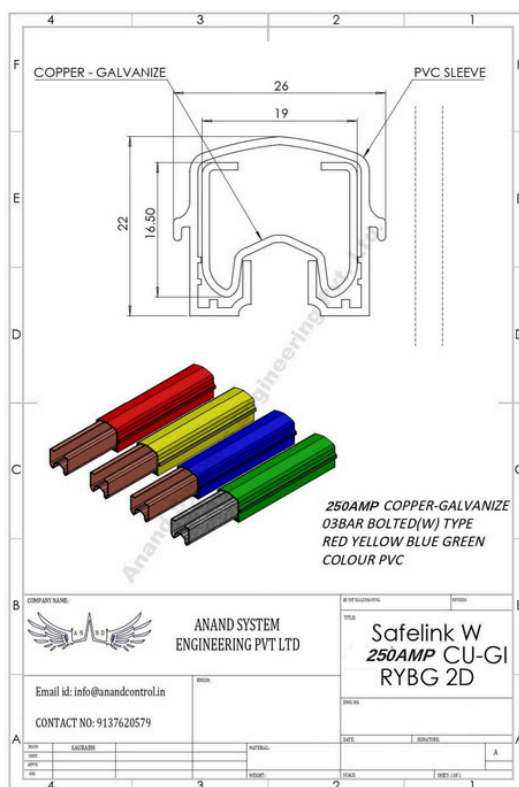
2D DRAWING OF SAFELINK W 200AMP ALU RYB



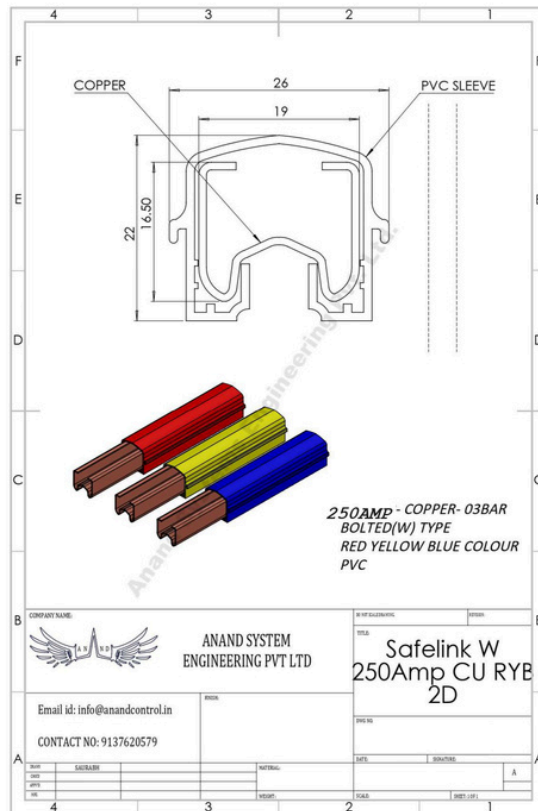
2D DRAWING OF SAFELINK W 200AMP ALU RYBG



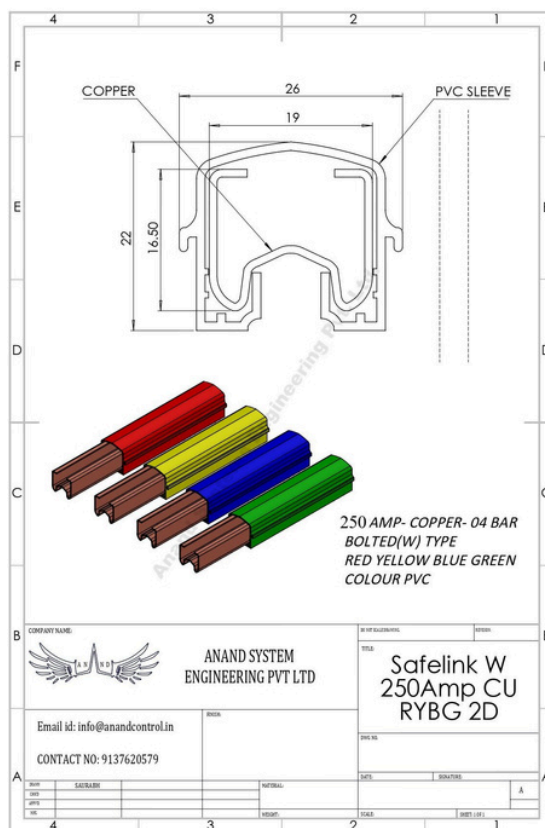
2D DRAWING OF SAFELINK W 250AMP CU-GI RYBG



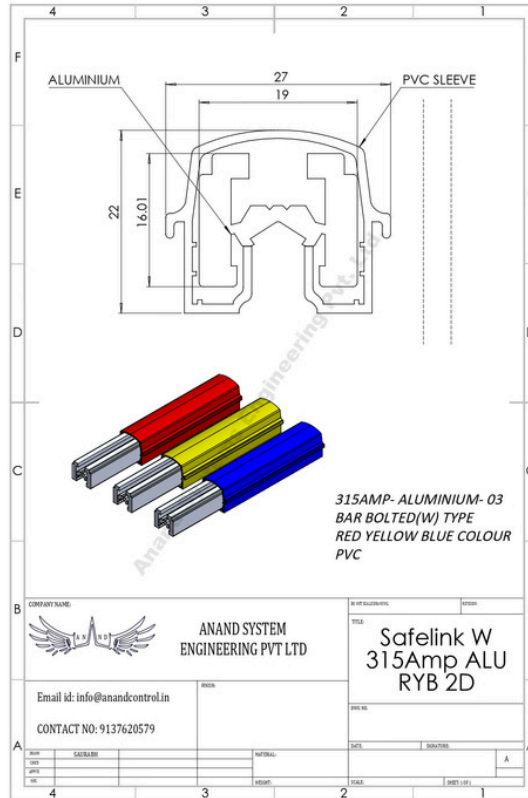
2D DRAWING OF SAFELINK W 250AMP CU RYB



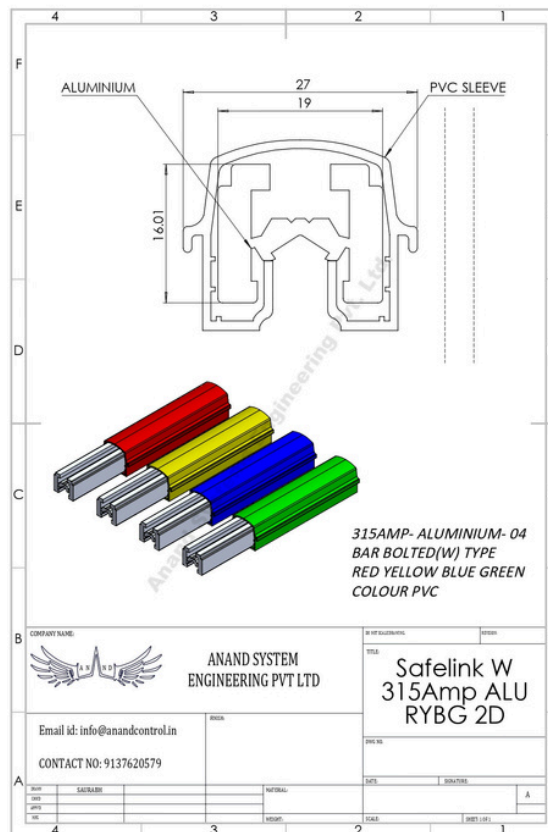
2D DRAWING OF SAFELINK W 250AMP CU RYBG



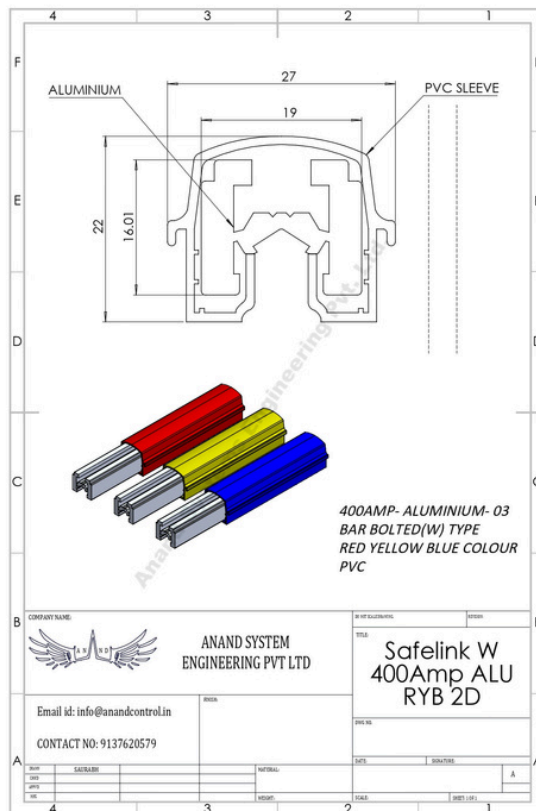
2D DRAWING OF SAFELINK W 315AMP ALU RYB



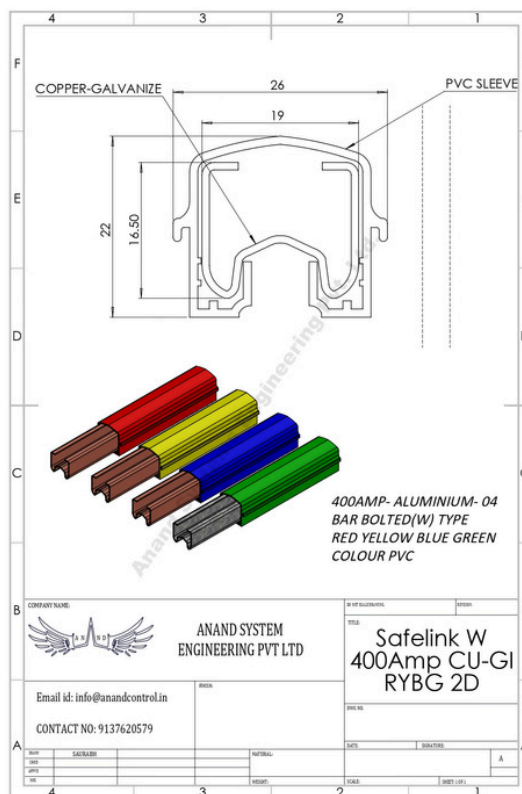
2D DRAWING OF SAFELINK W 315AMP ALU RYBG



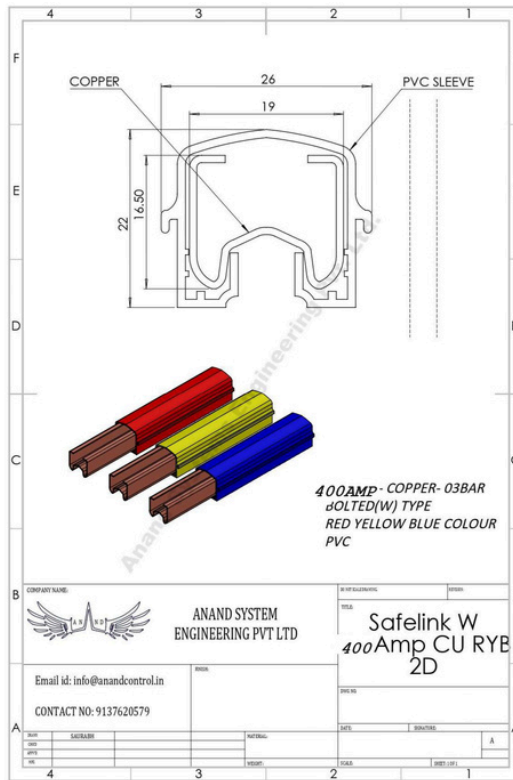
2D DRAWING OF SAFELINK W 400AMP ALU RYB



2D DRAWING OF SAFELINK W 400AMP CU-GI RYBG



2D DRAWING OF SAFELINK W 400AMP ALU RYB



2D DRAWING OF SAFELINK W 400AMP CU RYBG

