

4

3

2

1

F

F

E

E

D

D

C

C

B

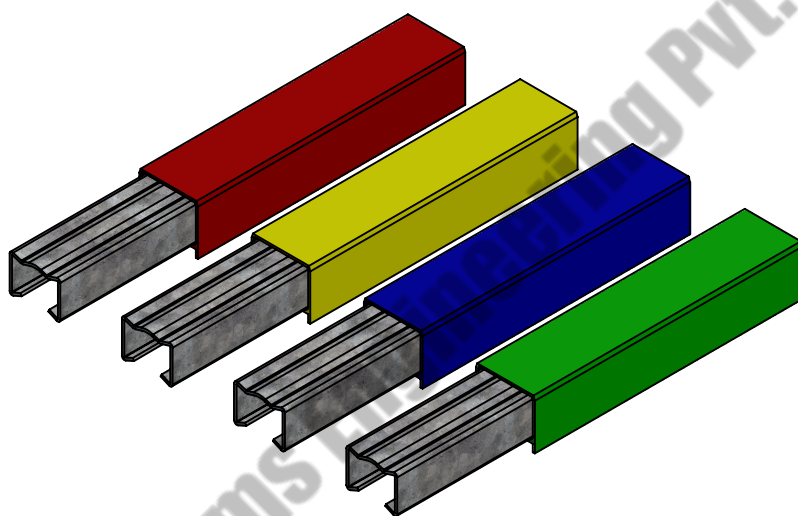
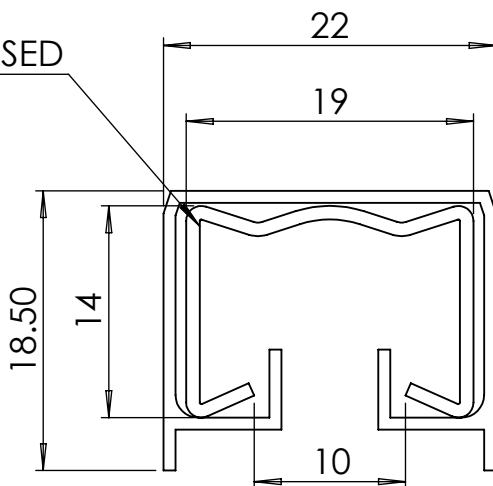
B

A

A

GALVANISED

PVC SLEEVE



100AMP- GI- 04 BAR PIN  
TYPE (M)  
RED YELLOW BLUE GREEN  
COLOUR PVC

COMPANY NAME:



ANAND SYSTEM  
ENGINEERING PVT LTD

DO NOT SCALE DRAWING.

REVISION:

TITLE:

SAFELINK 100Amp  
RYBG GI M-TYPE  
2D

Email id: info@anandcontrol.in

CONTACT NO: 9137620579

FINISH:

DWG NO.

DATE:

SIGNATURE:

DRAWN	SAURABH
CHK'D	
APP'D	
MFG	

MATERIAL:

WEIGHT:

SCALE:

SHEET: 1 OF 1

4

3

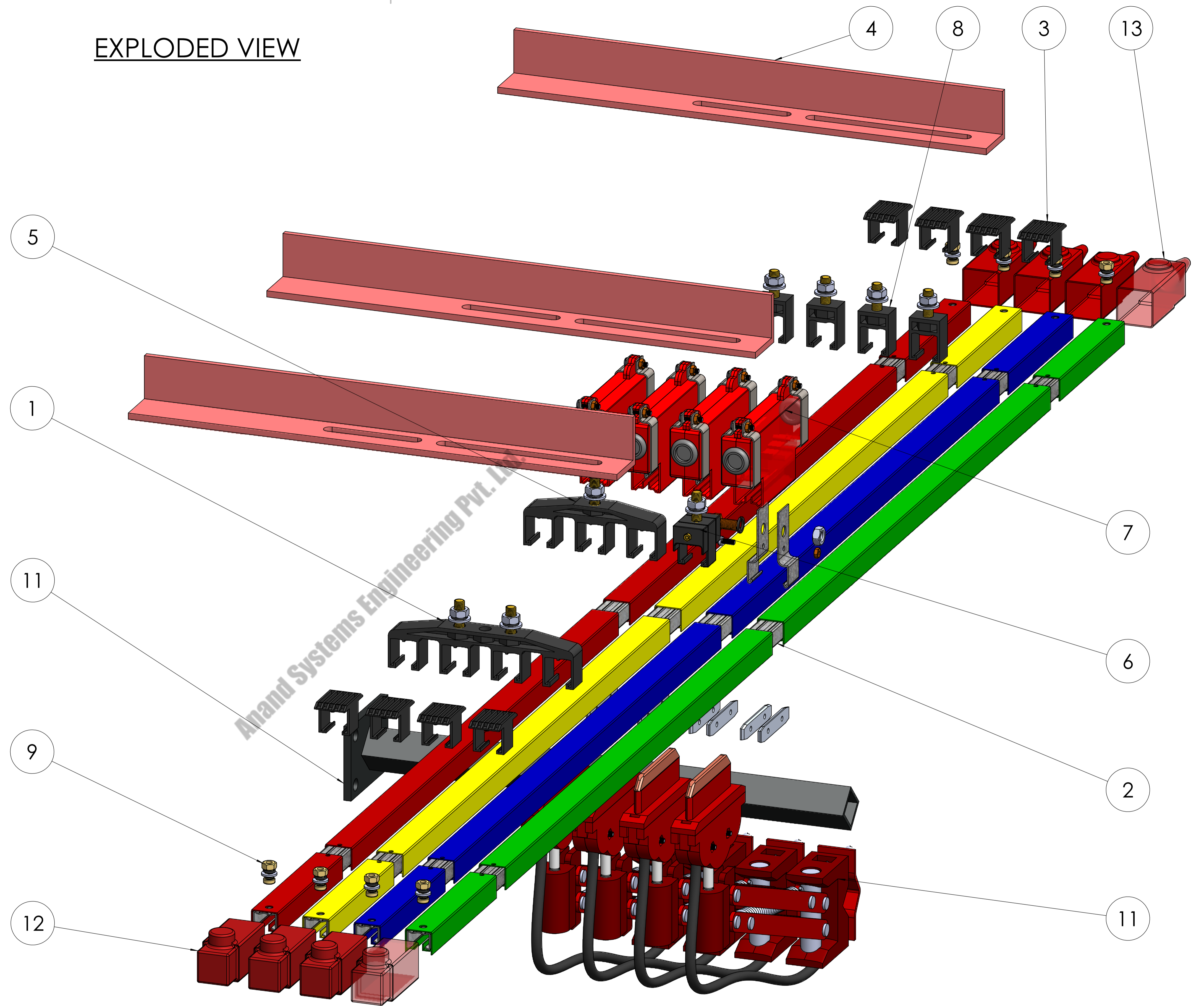
2

1



ITEM NO.	PART NAME	DESCRIPTION	MATERIAL	QTY.
1	<b>4 POLE HANGER CLAMP ASSM M-TYPE</b>	151X57X20	DELRIN	1
	4 POLE HANGER CLAMP M-TYPE	151X37X20	DELRIN	1
	HEX BOLT	M8, 8X25	M.S.	2
	M8 PLAIN WASHER	17X8.4X1.5	M.S.	2
	HEX NUT	M8	M.S.	2
	SPRING WASHER	M8	SPRING STEEL 4454 GRADE-02	2
2	<b>DSL BUSBAR ASSM M TYPE</b>	4 MTR	GALVANISED	4
	DSL BUSBAR GI M-TYPE	4MTR	PVC	1
	DSL BUSBAR SLEEVE M-TYPE	4MTR	PVC	1
3	<b>JOINT COVER M-TYPE</b>	40X26X25	DELRIN	8
4	<b>Web-Bracket M-TYPE</b>	40X40X400, THK-5 MM	M.S.	3
5	<b>3 POLE HANGER CLAMP ASSM M-TYPE</b>	109X57X20	DELRIN	1
	3 POLE HANGER CLAMP M-TYPE	109X37X20	DELRIN	1
	HEX BOLT	M8, 8X25	M.S.	1
	M8 PLAIN WASHER	17X8.4X1.5	M.S.	1
	HEX NUT	M8	M.S.	1
	SPRING WASHER	M8	SPRING STEEL 4454 GRADE-02	1
6	<b>ANCHOR CLAMP ASSM M-TYPE</b>	25X34X37	DELRIN	1
	ANCHOR CLAMP M-TYPE	25X34X17	DELRIN	1
	ANCHOR CLAMP PART 1	25X20X10	DELRIN	2
	BOLT 3X40	M3 X40	M.S.	1
	HEX NUT	M3	M.S.	1
	HEX BOLT	M8, 8X25	M.S.	1
	M8 PLAIN WASHER	17X8.4X1.5	M.S.	1
	HEX NUT	M8	M.S.	1
	SPRING WASHER	M8	SPRING STEEL 4454 GRADE-02	1
7	<b>CENTRE POWER FEED M-TYPE</b>	124X63X24	PPCP	4
	MOULDING CENTRE POWER FEED COVER	124X63X24	PPCP	2
	GI-CLAMP	60X18.5	GALVANISED	2
	SS CLAMP	52X27, 1 THK	S.S	2
	GRUMET	GRUMET 3/4"	RUBBER	2
	HEX BOLT	M8, 8X15	M.S.	1
	HEX NUT	M8	M.S.	1
	SPRING WASHER	M8	SPRING STEEL 4454 GRADE-02	1
	HEX NUT	M4	M.S.	3
	PAN HEADED SCREW	4X10	M.S.	1
	PAN HEADED SCREW	4X15	M.S.	2
8	<b>SINGLE POLE HANGER CLAMP ASSM M-TYPE</b>	25X55X17	DELRIN	4
	SINGLE POLE HANGER CLAMP	25X34X17	DELRIN	1
	HEX BOLT	M8, 8X25	M.S.	1
	M8 PLAIN WASHER	17X8.4X1.5	M.S.	1
	HEX NUT	M8	M.S.	1
	SPRING WASHER	M8	SPRING STEEL 4454 GRADE-02	1
9	<b>END POWER FEED ASSM M-TYPE.SLDPRT</b>			8
	BOLT	M6X15	M.S.	1
	HEX NUT	M6	M.S.	1
	PLAIN WASHER M6	13X6.5X1.5	M.S.	1
	SPRING WASHER	M6	SPRING STEEL 4454 GRADE-02	1
11	<b>CURRENT COLLECTOR ASSM</b>	60,100,125,250 AMP		4
	ARM 1	220X16X3	M.S.	4
	LOWER BRACKET	56X73X30	CASTING	1
	LOWER PIN	16X70	M.S.	1
	VERTICAL LEVER CC	50X61X24	PLASTIC	1
	SPACER PIN	26X Ø 6	M.S.	6
	UPPER BRACKET	108.5X43X10	PLASTIC	2
	VERTICAL STUD	104X Ø 7	M.S.	1
	SHOE HOLDER	108.5X20X40	PLASTIC	1
	CONTACT PATTI	87X47X3	COPPER	1
	SPRING	Ø 13.5X22	SPRING STEEL 4454 GRADE-02	1
	LOWER BRACKET CC 2	70X30X3	M.S.	1
	HEX BOLT	8X40	M.S.	2
	PLAIN WASHER W TYPE	18.5X9X1.5	M.S.	2
	HEX NUT	M4	M.S.	2
	TENSION SPRING	Ø 15X115	SPRING STEEL 4454 GRADE-02	1
	wire	105 SQ MM, 1mtr		1
	PAN HEADED SCREW	4X15	M.S.	2
	NUT	M6	M.S.	2
11	<b>C.C-Bracket</b>	80X60XTHK-5, SQ-25X25X400	M.S.	1
12	<b>END COVER M-TYPE</b>	L-73, SQ30X30	PVC	4
13	<b>END POWER FEED COVER M-TYPE</b>	L-102, SQ30X30	PVC	4
14	<b>JOINT CLAMP PIN</b>	60X12X3	GALVANISED	8

## EXPLODED VIEW



COMPANY NAME:		ANAND SYSTEM ENGINEERING PVT LTD		DO NOT SCALE DRAWING	REVISION:
Email id: info@anandcontrol.in		FINSISE:		TITLE: DSL M-TYPE (PIN TYPE) BUSBAR ASSEMBLY 2D	
CONTACT NO: 9137620579		DATE: 02-01-2025		SIGNATURE:	
DRWN: SAURABH	CHKD:	APPRD:	MATERIAL:	SCALE:	SHEET: 1 OF 1
WGT:					



8000( 4+4 MTR)

1 MTR

4 POLE HANGER CLAMP

ANCHOR CLAMP

CENTRE POWER FEED

WEB BRACKET

4000 4MTR

END COVER

JOINT COVER

CURRENT COLLECTOR

CC BRACKET

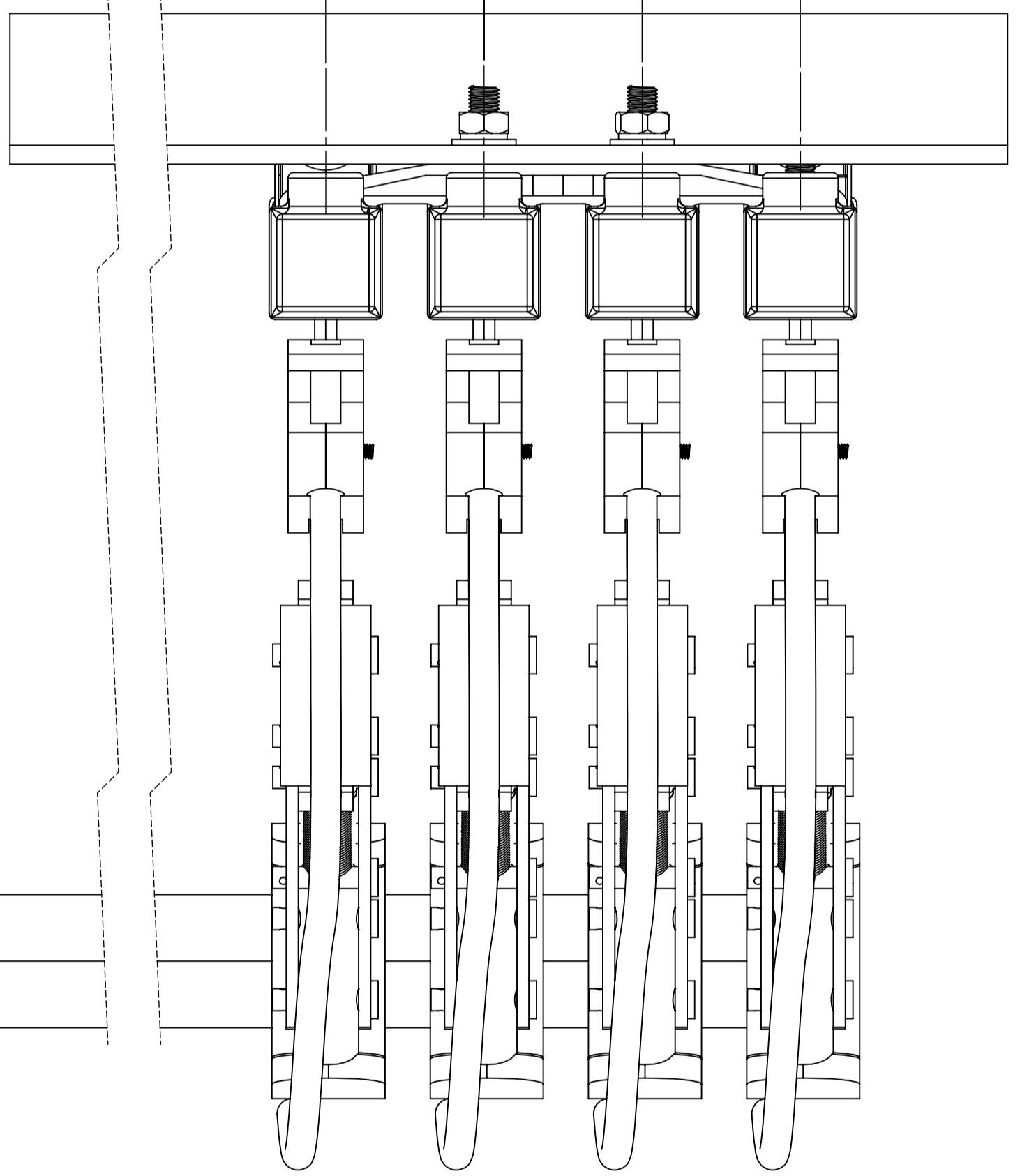
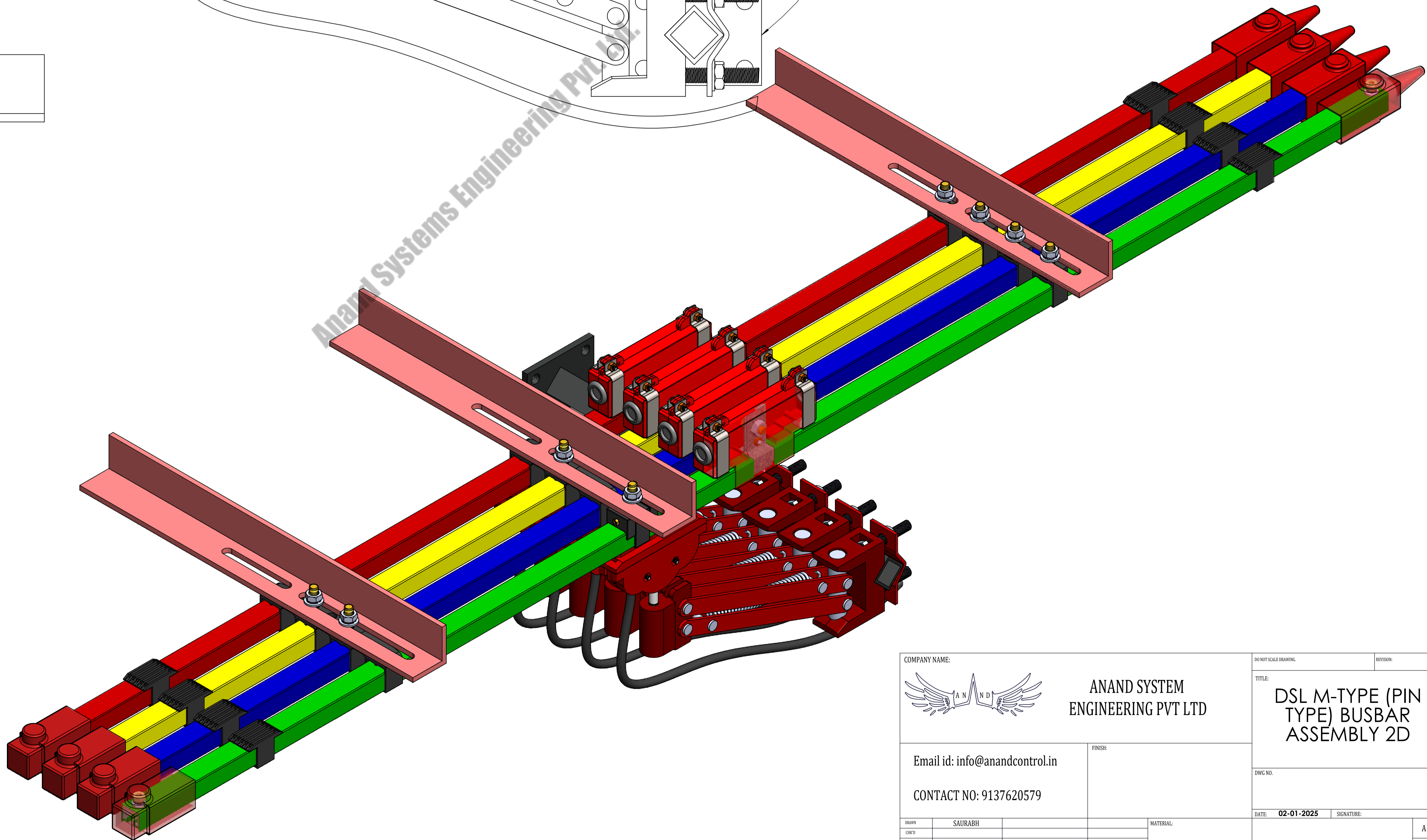
1POLE HANGER CLAMP

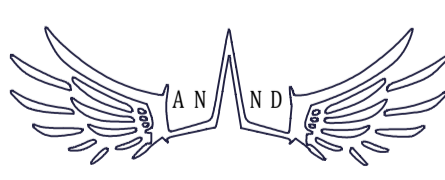
END POWER FEED

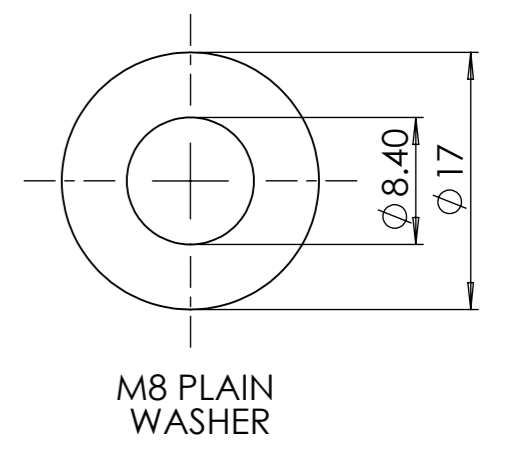
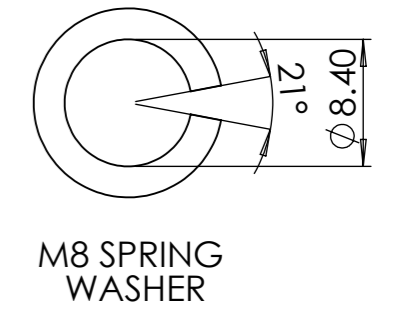
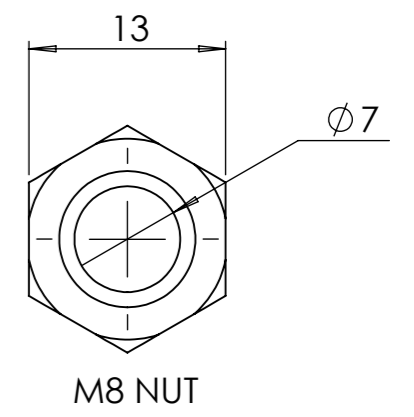
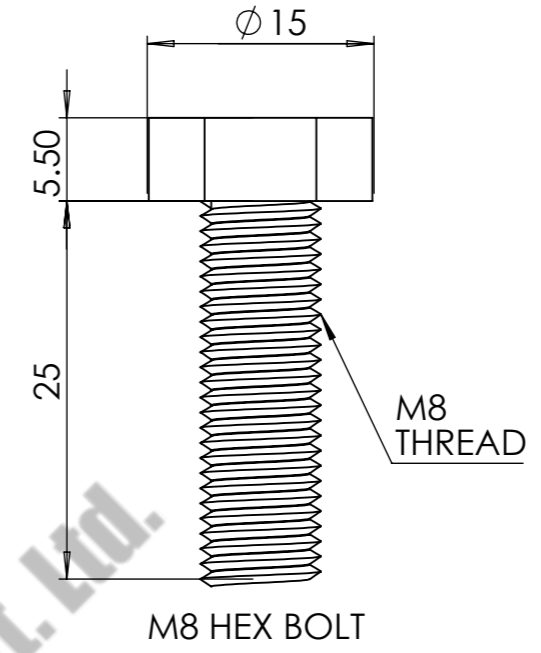
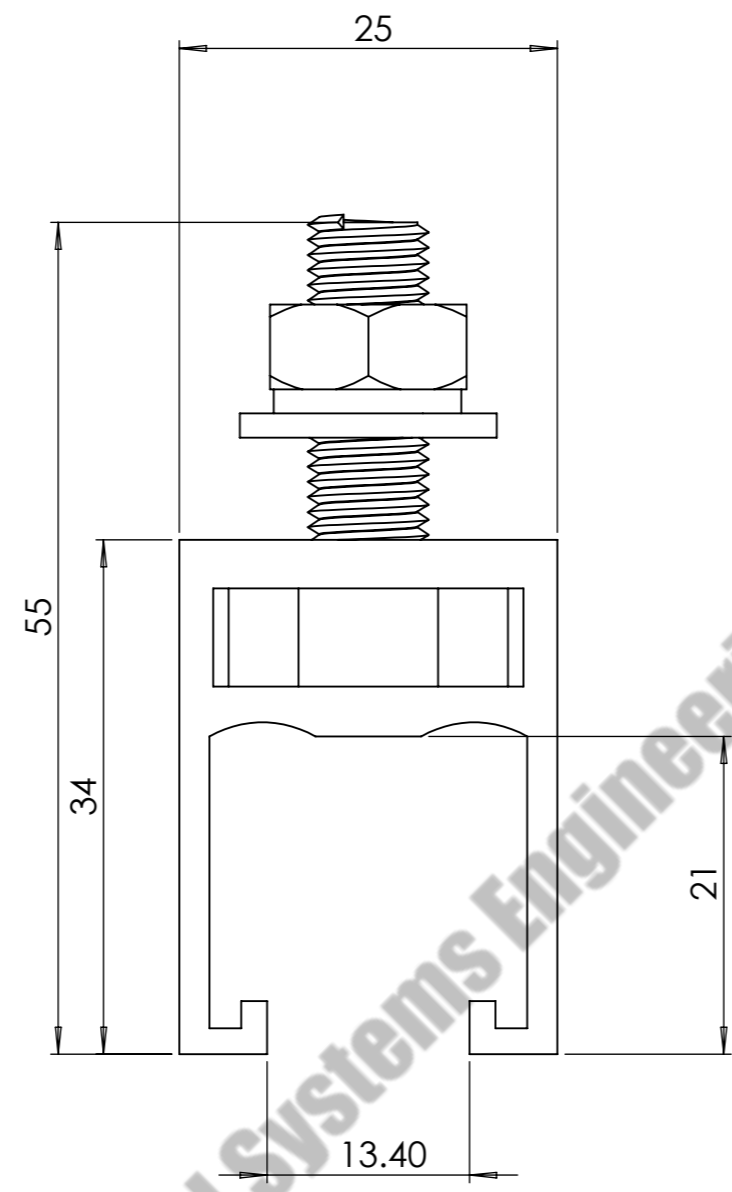
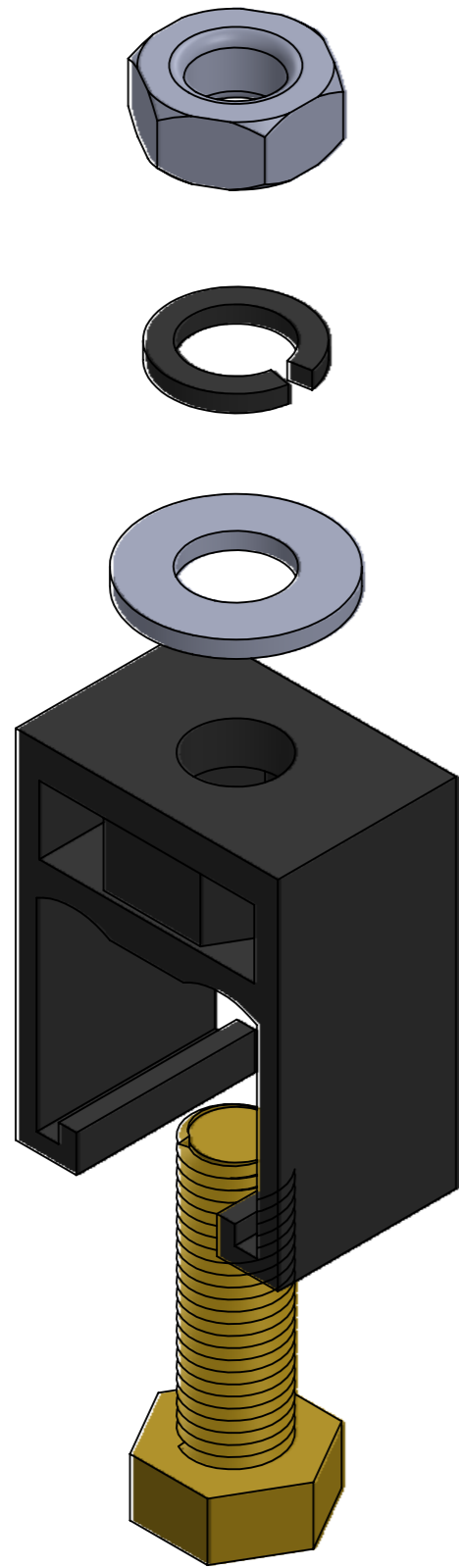
43 (DISTANCE BETWEEN 2 DSL BUSBAR)

43


43

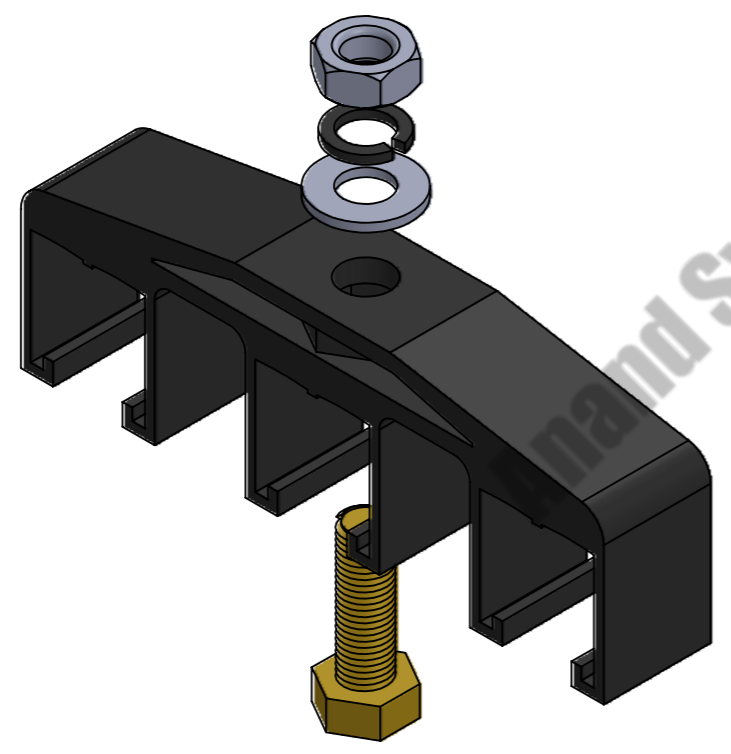
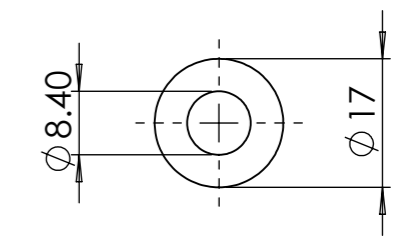
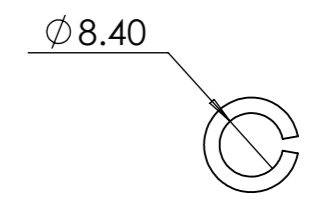
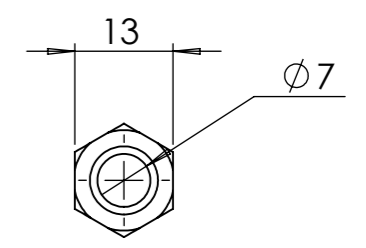
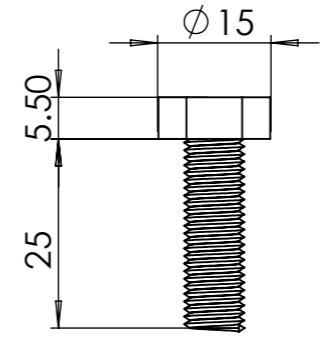
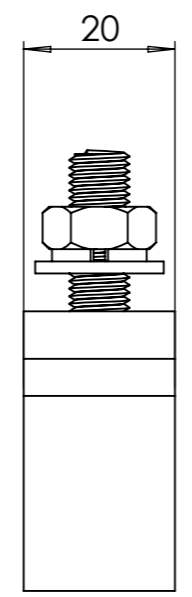
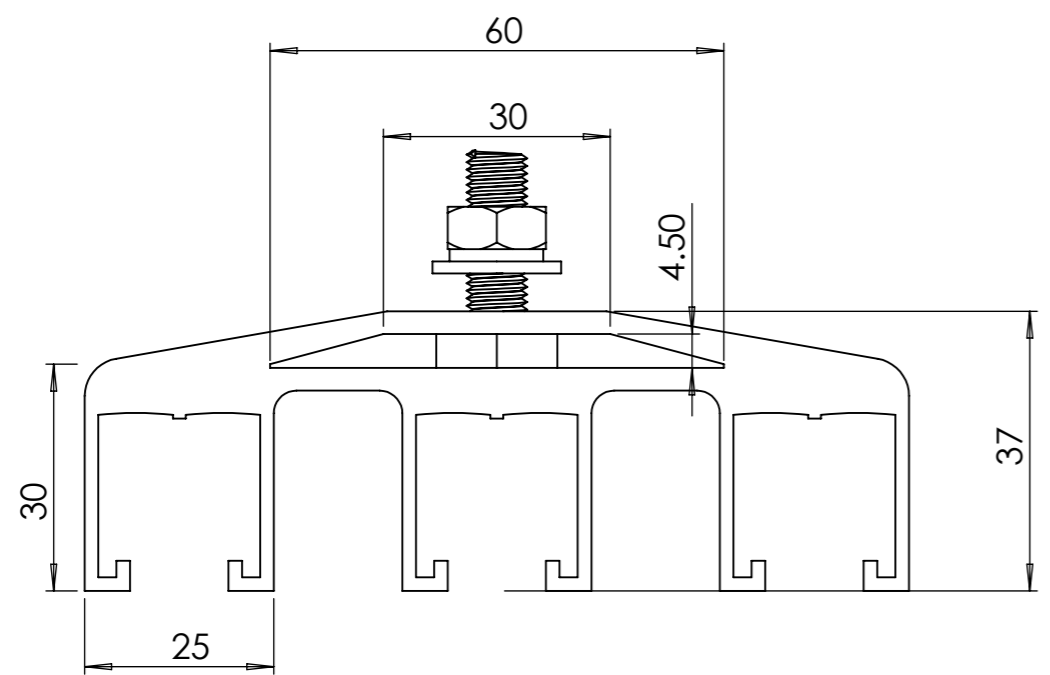


COMPANY NAME:		ANAND SYSTEM ENGINEERING PVT LTD		DO NOT SCALE DRAWING		REVISION:	
		Email id: info@anandcontrol.in CONTACT NO: 9137620579		FINISH:		TITLE: DSL M-TYPE (PIN TYPE) BUSBAR ASSEMBLY 2D	
DATE: 02-01-2025	SIGNATURE:	SCALE:		SHEET: 1 OF 1		A	
DRWN: SAURABH	CKTD:	APPRD:	MPC:	MATERIAL:	WEIGHT:		




Anand Systems Engineering Pvt. Ltd.

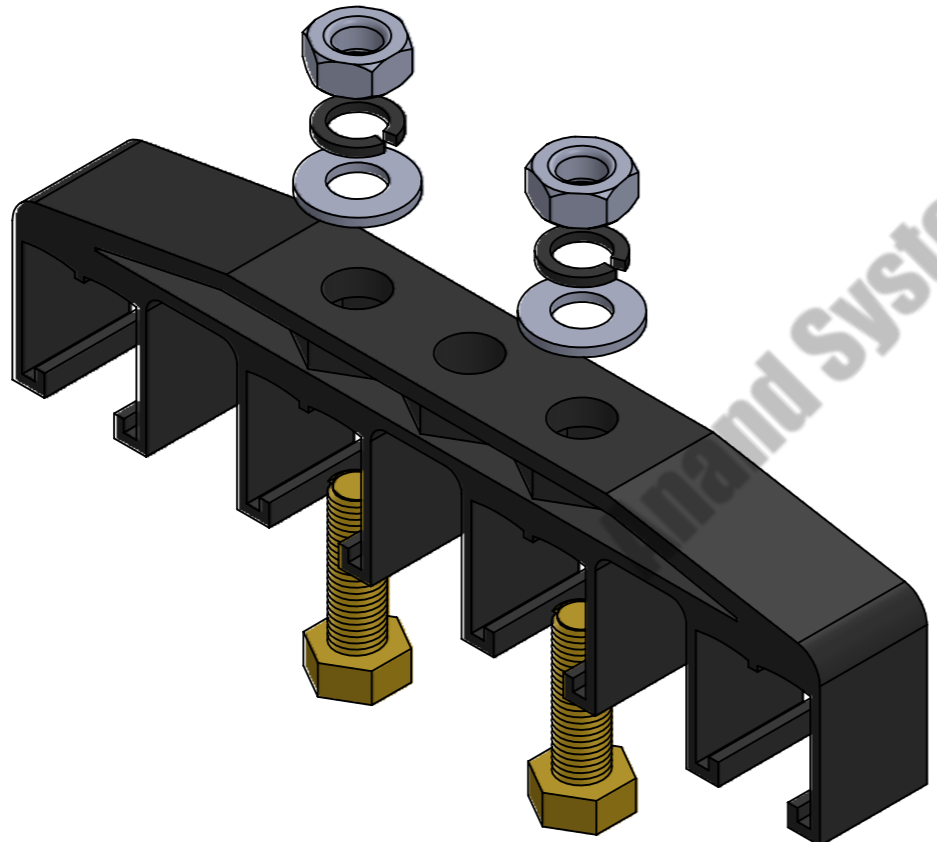
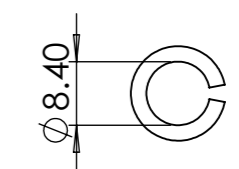
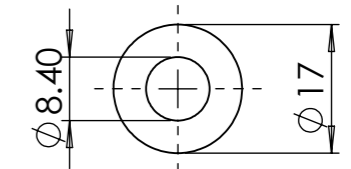
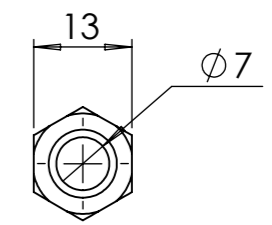
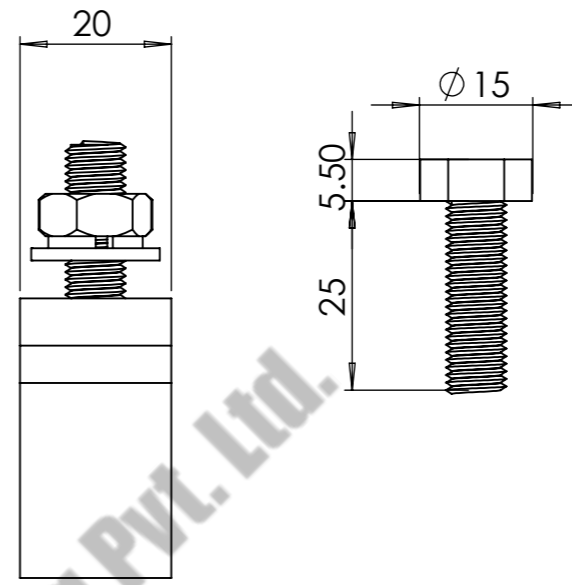
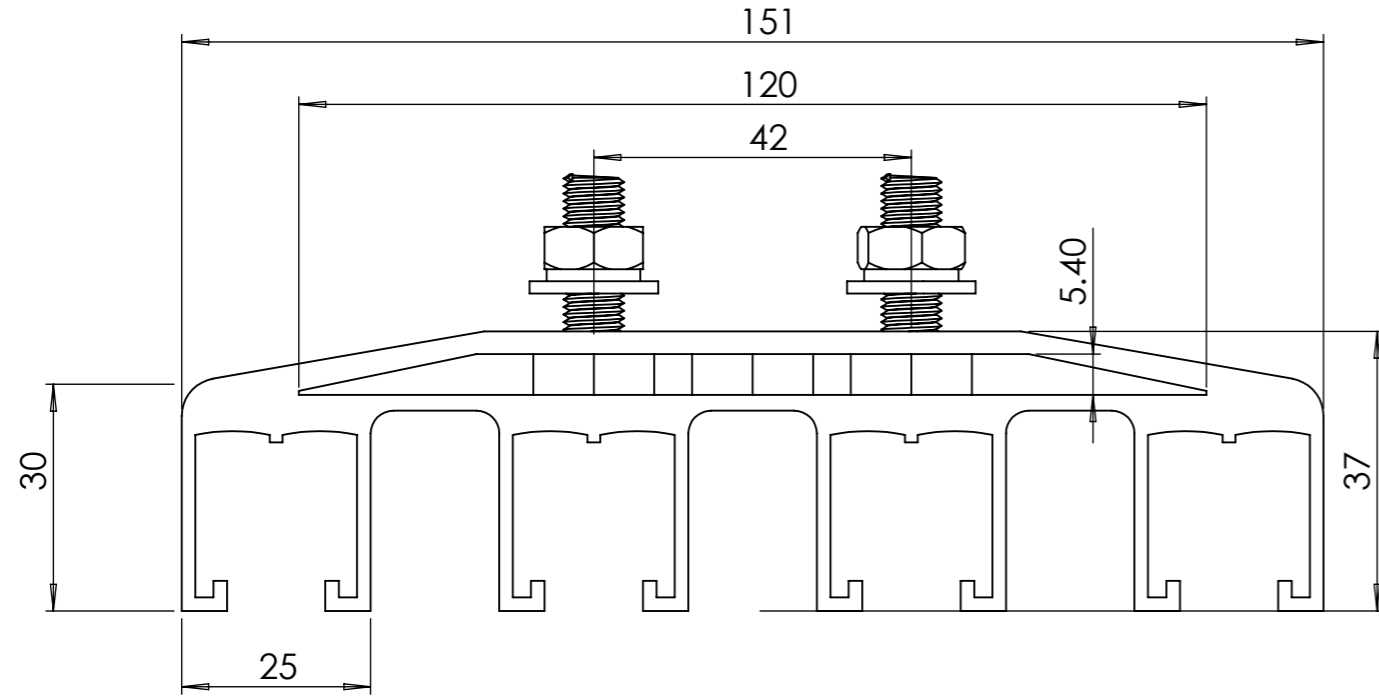
COMPANY NAME:		ANAND SYSTEM ENGINEERING PVT LTD		DO NOT SCALE DRAWING.	REVISION:
		Email id: info@anandcontrol.in CONTACT NO: 9137620579		TITLE: <b>SINGLE POLE HANGER CLAMP ASSM M-TYPE 2D</b>	
DRAWN: SAURABH		MATERIAL:		DWG NO.	
CHK'D:		FINISH:		DATE:	
APPY'D:		WEIGHT:		SIGNATURE:	
MFC:		SCALE:		SHEET: 1 OF 1	




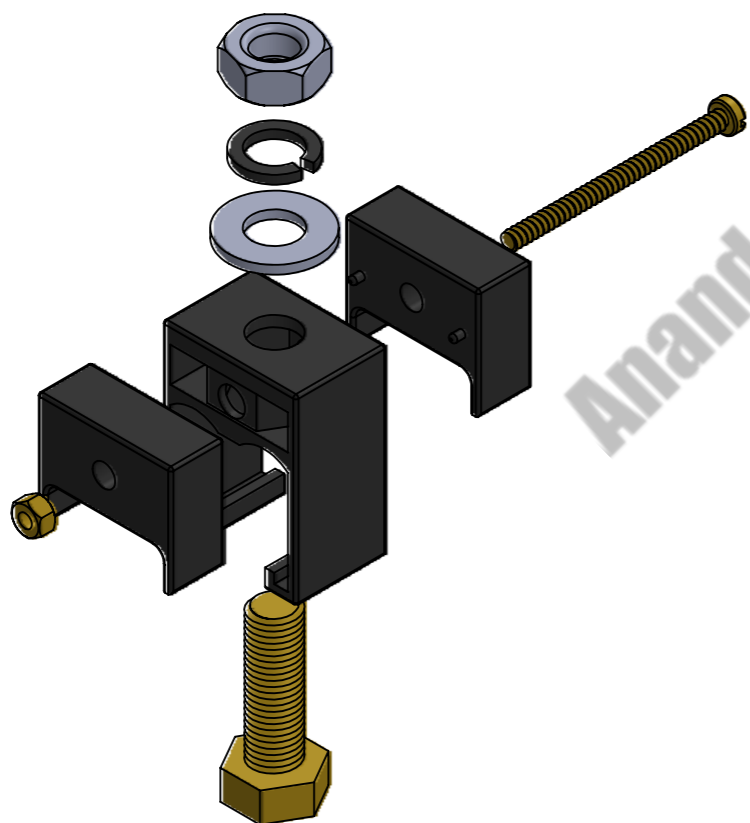
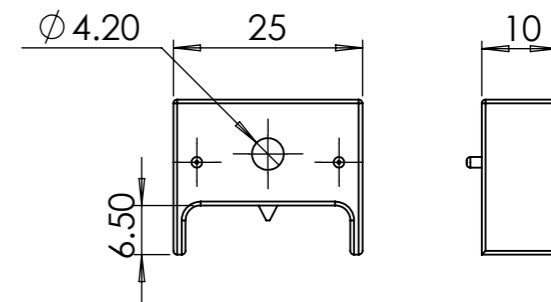
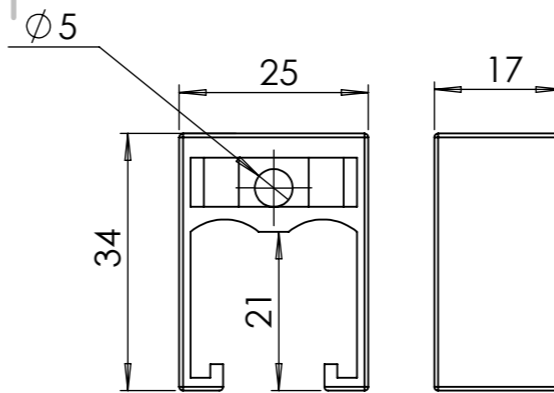
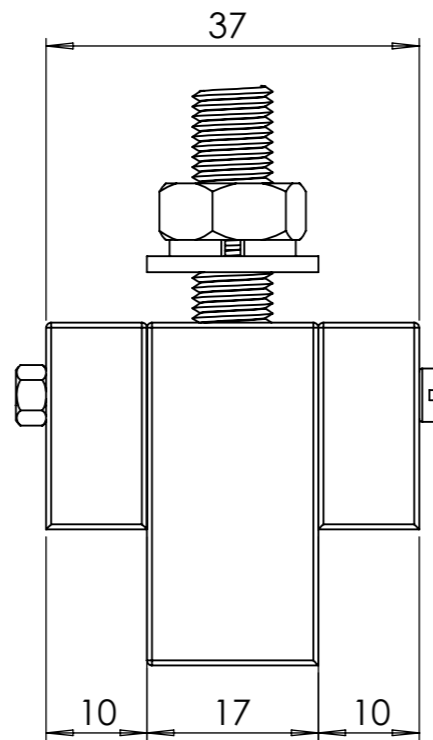
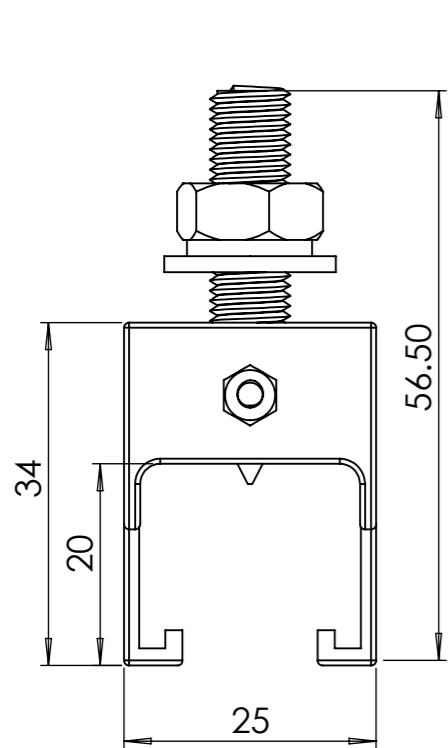
Anand Systems Engineering Pvt. Ltd.

COMPANY NAME:		ANAND SYSTEM ENGINEERING PVT LTD		DO NOT SCALE DRAWING.	REVISION:
		Email id: info@anandcontrol.in CONTACT NO: 9137620579		TITLE: <b>3 POLE HANGER CLAMP ASSM M-TYPE 2D</b>	
FINISH:		MATERIAL:		DWG NO.	
DATE:		SIGNATURE:		A	
DRAWN: SAURABH	CHK'D:	APPR'D:	MFG:	SCALE:	SHEET: 1 OF 1





COMPANY NAME:		ANAND SYSTEM ENGINEERING PVT LTD		DO NOT SCALE DRAWING.	REVISION:
		Email id: info@anandcontrol.in CONTACT NO: 9137620579		TITLE: <b>4 POLE HANGER CLAMP ASSM M-TYPE 2D</b>	
FINISH:		MATERIAL:		DWG NO.	
DATE:		SIGNATURE:		A	
DRAWN: SAURABH				SCALE:	SHEET: 1 OF 1
CHK'D:					
APP'D:					
MFG:					



BOLT M8X25

PLAIN  
WASHER M8

SPRING  
WASHER M8

NUT M8

BOLT M3X40

NUT M3

COMPANY NAME:



ANAND SYSTEM  
ENGINEERING PVT LTD

Email id: info@anandcontrol.in

CONTACT NO: 9137620579

FINISH:

MATERIAL:

DELRIN

WEIGHT:

DO NOT SCALE DRAWING.

REVISION:

TITLE:

ANCHOR CLAMP  
ASSM M-TYPE 2D

DWG NO.

DATE:

SIGNATURE:

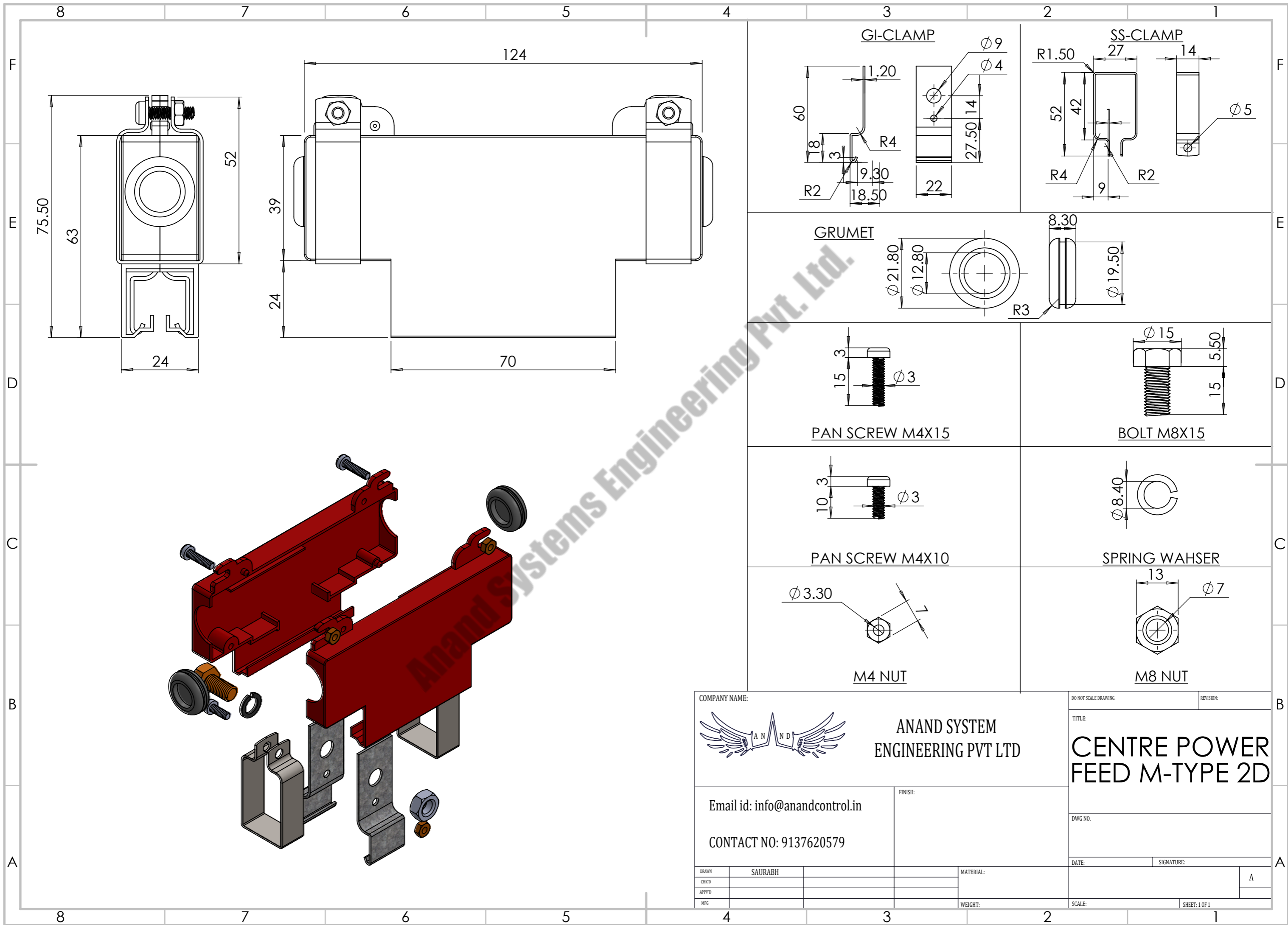
DRAWN  
CHK'D  
APPY'D  
MFG


SAURABH

SCALE:

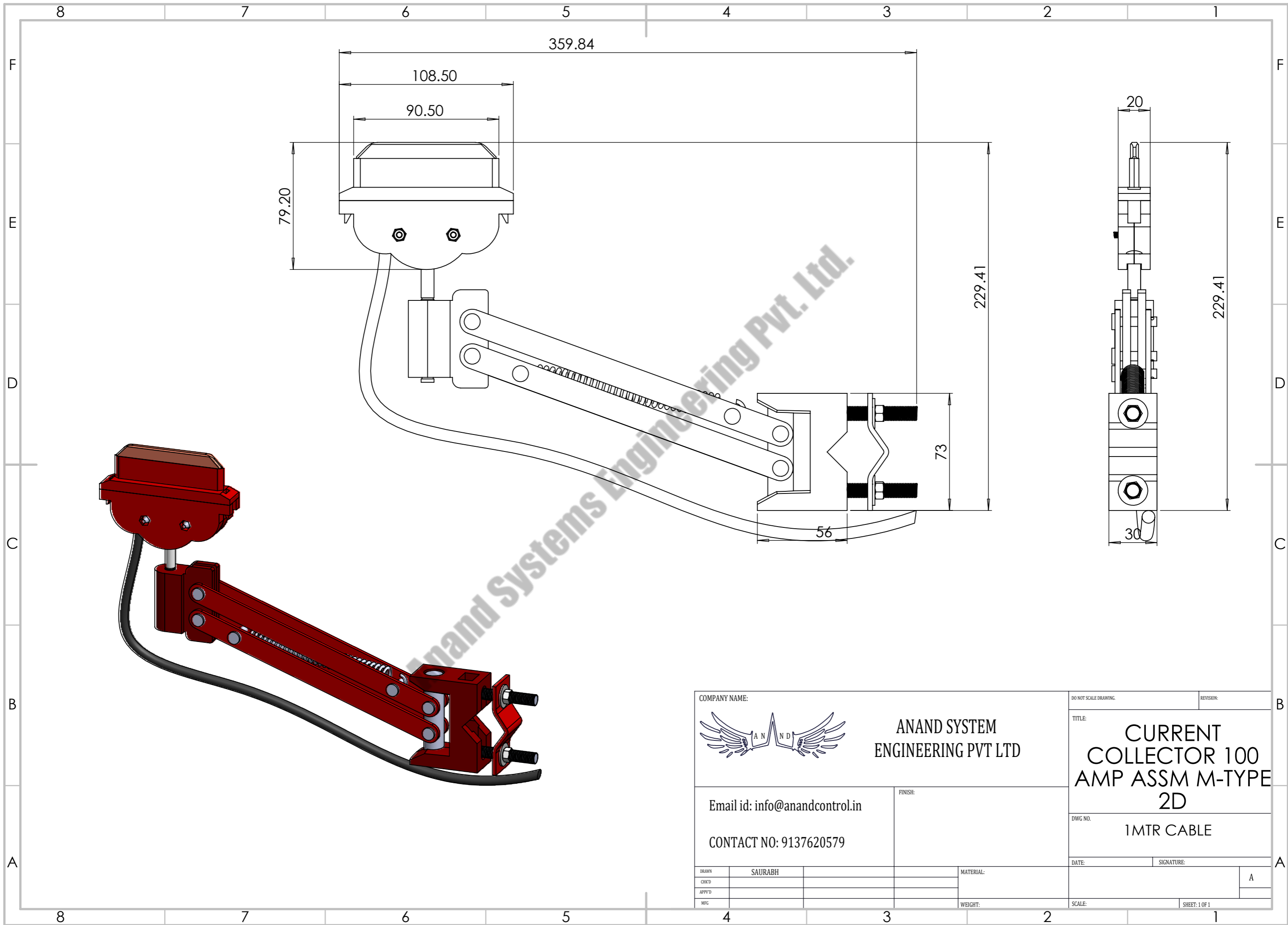
SHEET: 1 OF 1


A

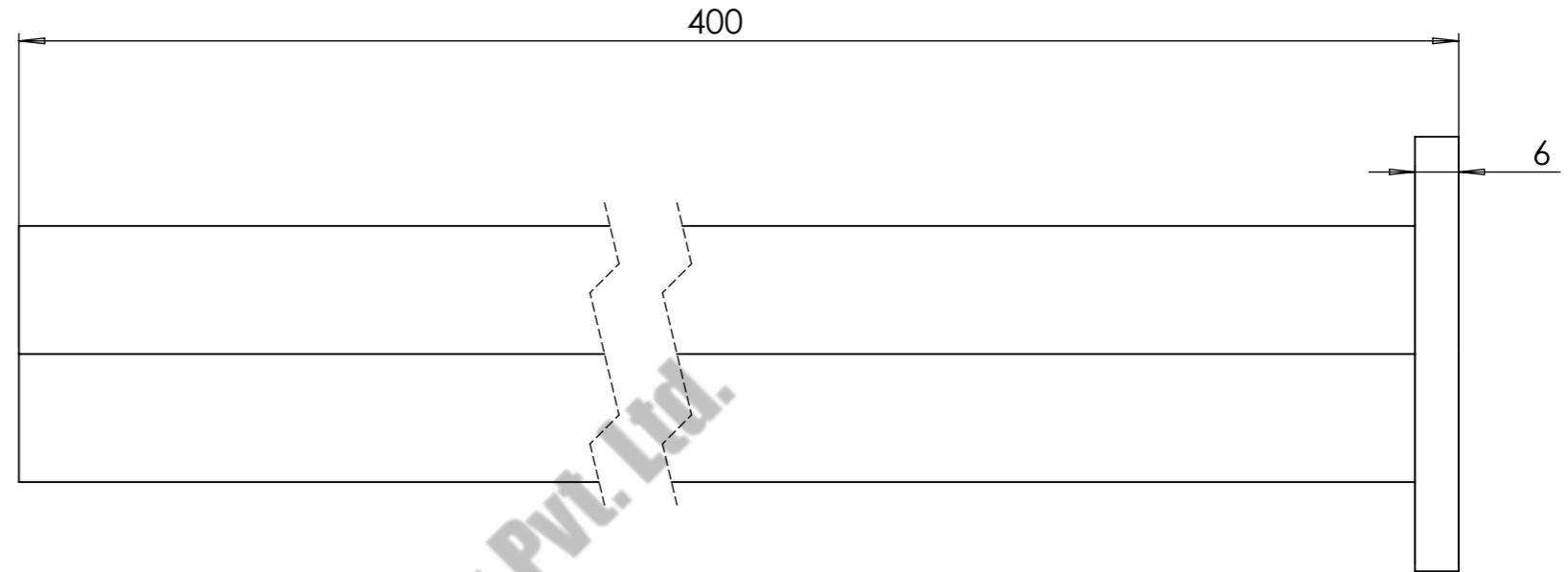
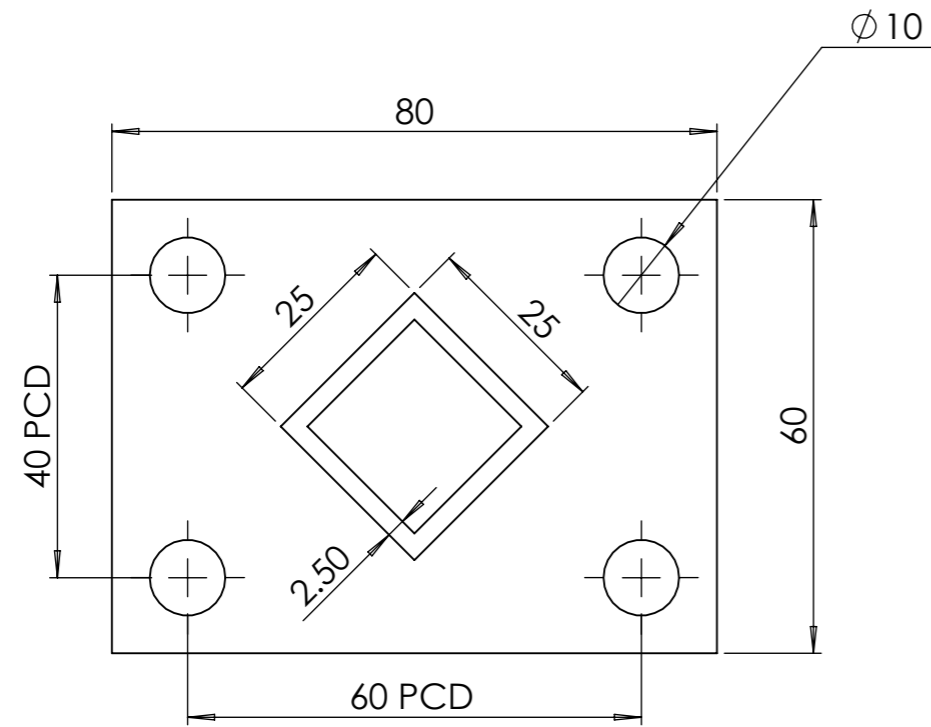



COMPANY NAME:		ANAND SYSTEM ENGINEERING PVT LTD		DO NOT SCALE DRAWING.	REVISION:
		<b>ANAND SYSTEM ENGINEERING PVT LTD</b>		TITLE: <b>CENTRE POWER FEED M-TYPE 2D</b>	
Email id: info@anandcontrol.in		FINISH:		DWG NO.	
CONTACT NO: 9137620579		MATERIAL:		DATE:	
DRAWN: SAURABH				SIGNATURE:	
CHK'D:				SCALE:	
APPY'D:				SHEET: 1 OF 1	
MFG:				A	





COMPANY NAME:		ANAND SYSTEM ENGINEERING PVT LTD		DO NOT SCALE DRAWING.	REVISION:
		<p>Email id: info@anandcontrol.in</p> <p>CONTACT NO: 9137620579</p>		<p>TITLE:</p> <p><b>CURRENT COLLECTOR 100 AMP ASSM M-TYPE 2D</b></p>	
FINISH:		MATERIAL:		<p>DWG NO.</p> <p>1MTR CABLE</p>	
DATE:	SIGNATURE:			A	
SCALE:	SHEET: 1 OF 1				



COMPANY NAME:		ANAND SYSTEM ENGINEERING PVT LTD		DO NOT SCALE DRAWING.	REVISION:
		ANAND SYSTEM ENGINEERING PVT LTD		TITLE: <b>C.C-Bracket M-TYPE</b>	
Email id: info@anandcontrol.in		FINISH:		DWG NO.	
CONTACT NO: 9137620579				DATE:	
DRAWN	SAURABH			SIGNATURE:	
CHK'D				A	
APPY'D					
MFG				SCALE:	
		WEIGHT:		SHEET: 1 OF 1	

4

3

2

1

F

F

E

E

D

D

C

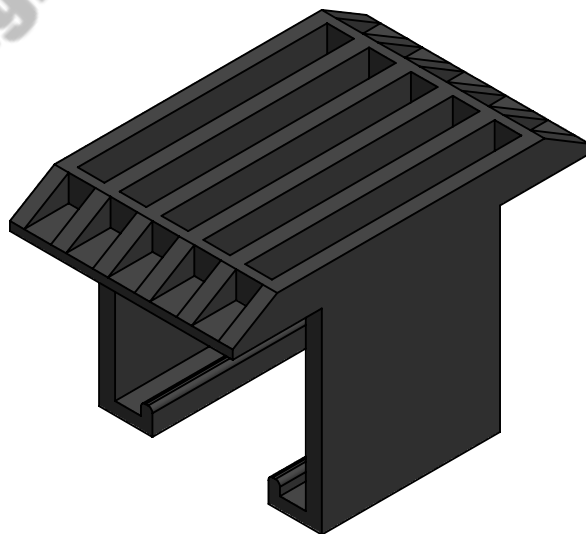
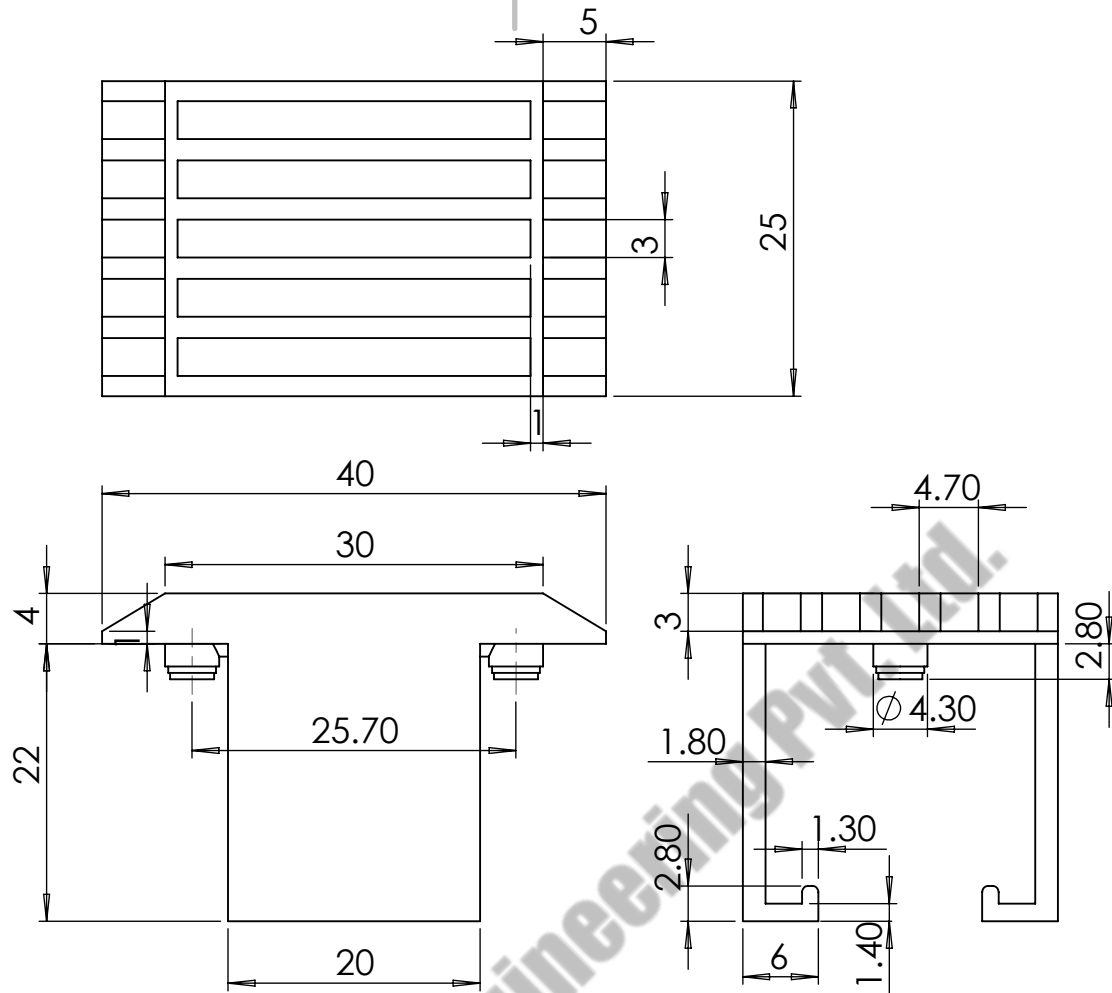
C

B

B

A

A



COMPANY NAME:



ANAND SYSTEM  
ENGINEERING PVT LTD

DO NOT SCALE DRAWING.

REVISION:

TITLE:

JOINT COVER  
M TYPE 2D

Email id: info@anandcontrol.in

CONTACT NO: 9137620579

FINISH:

DWG NO.

DATE:

SIGNATURE:

A

DRAWN	SAURABH
CHK'D	
APP'D	
MFG	

MATERIAL:

WEIGHT:

SCALE:

SHEET: 1 OF 1

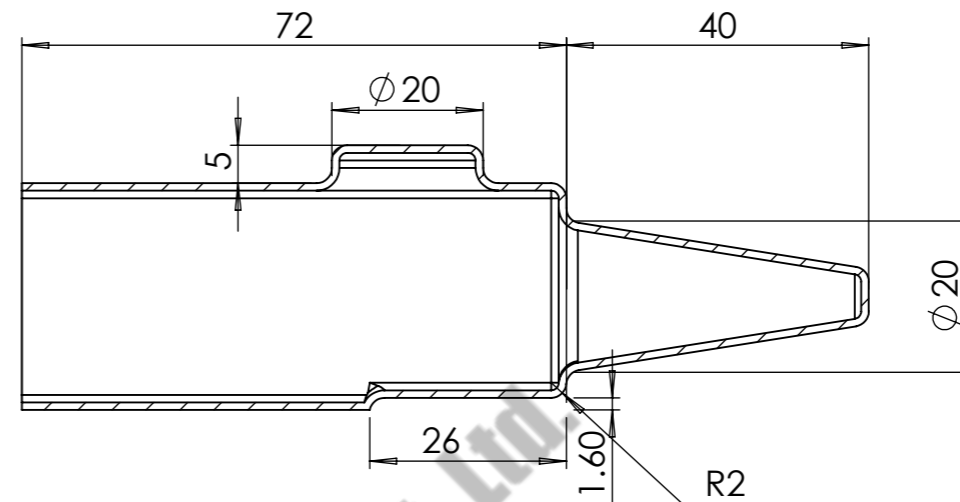
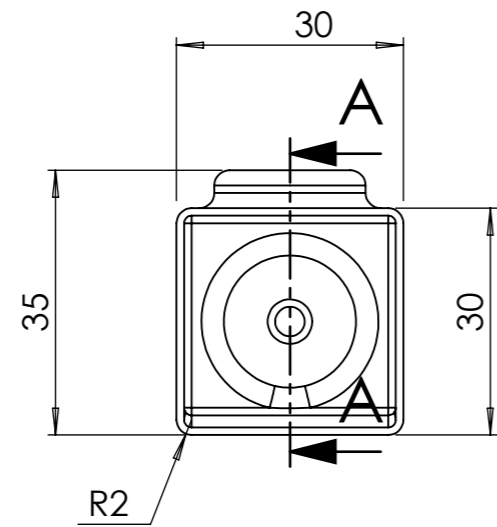
4

3

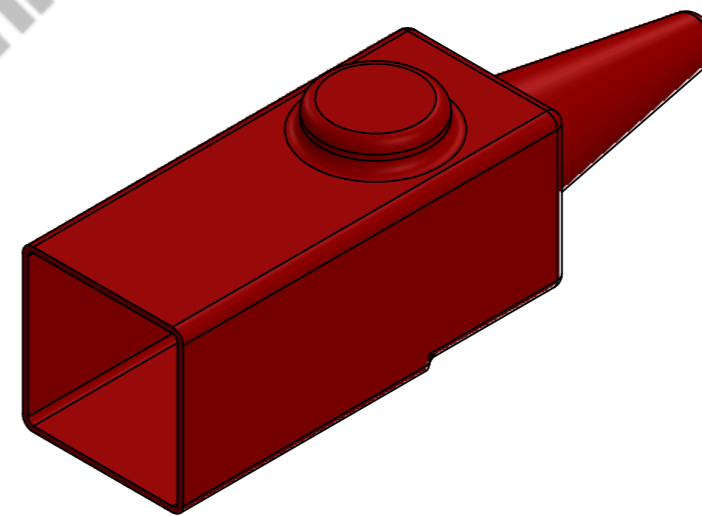
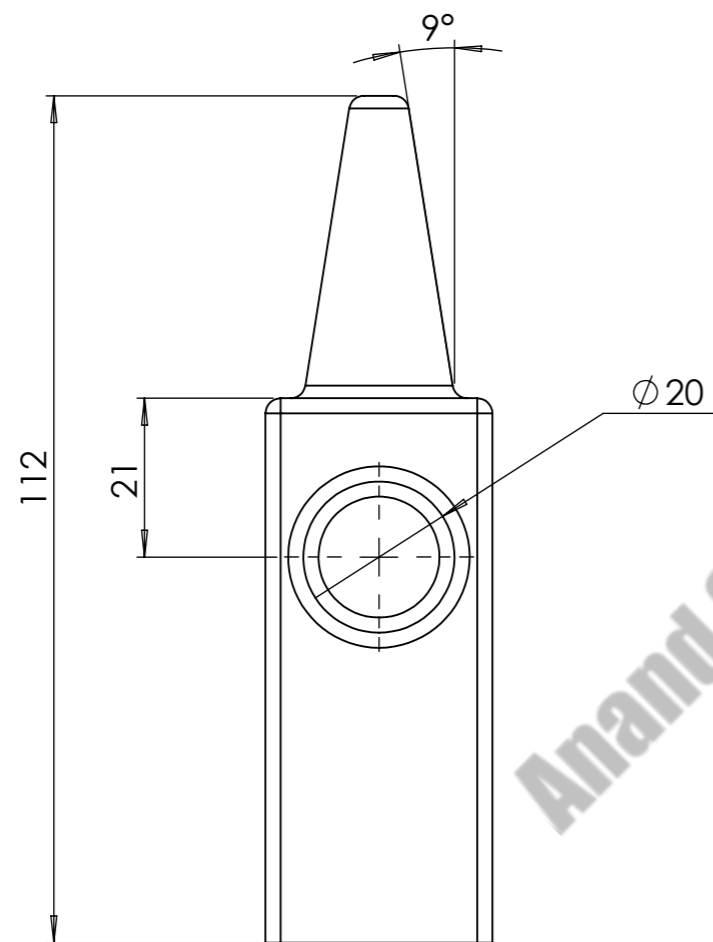
2

1





SECTION A-A



COMPANY NAME:



**ANAND SYSTEM  
ENGINEERING PVT LTD**

Email id: [info@anandcontrol.in](mailto:info@anandcontrol.in)

CONTACT NO: 9137620579

FINISH:

DO NOT SCALE DRAWING.

REVISION:

TITLE:

**END POWER FEED  
M-TYPE 2D**

DWG NO.

DATE:

SIGNATURE:

DRAWN  
CHK'D  
APPV'D  
MFG

SAURABH

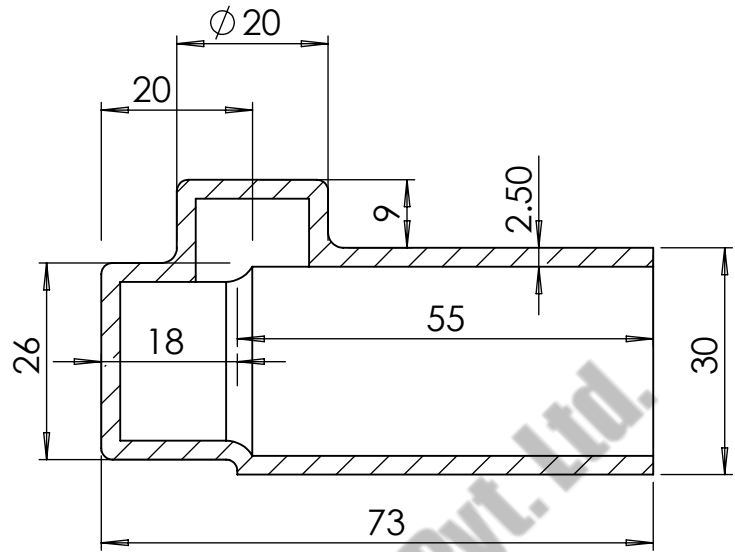
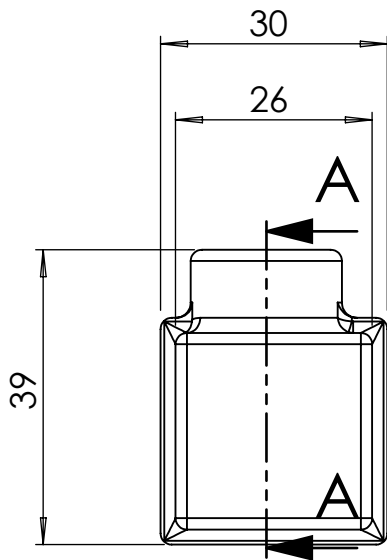
MATERIAL:

WEIGHT:

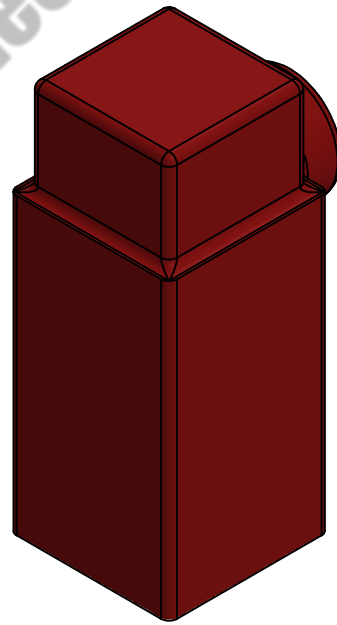
SCALE:

SHEET: 1 OF 1


A



SECTION A-A



Anand Systems Engineering Pvt. Ltd.

COMPANY NAME:  <p style="text-align: center; font-weight: bold; font-size: 1.2em;">ANAND SYSTEM ENGINEERING PVT LTD</p>		DO NOT SCALE DRAWING.      REVISION:  TITLE: <p style="text-align: center; font-size: 1.5em; font-weight: bold;">END COVER M-TYPE 2D</p>	
Email id: info@anandcontrol.in  CONTACT NO: 9137620579		DWG NO.  DATE:      SIGNATURE:	
DRAWN	SAURABH	MATERIAL:	
CHK'D		WEIGHT:	
APP'D		SCALE:	A
MFG		SHEET: 1 OF 1	

4

3

2

1

F

F

E

E

D

D

C

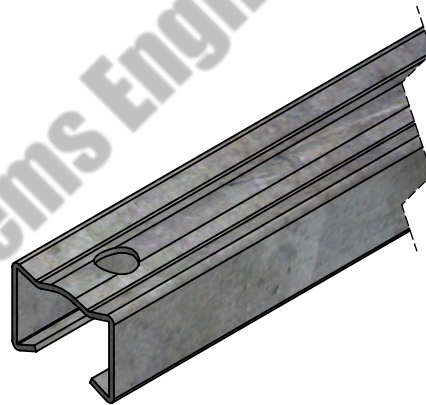
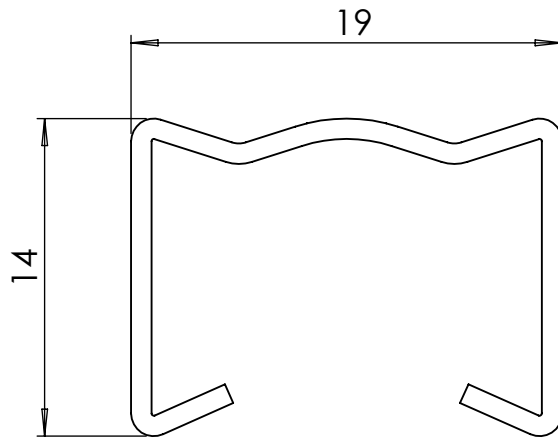
C

B

B

A

A



Anand Systems Engineering Pvt. Ltd.

COMPANY NAME:



**ANAND SYSTEM  
ENGINEERING PVT LTD**

DO NOT SCALE DRAWING.

REVISION:

TITLE:

**DSL BUSBAR GI  
M-TYPE 2D**

Email id: info@anandcontrol.in

CONTACT NO: 9137620579

FINISH:

DWG NO.

DATE:

SIGNATURE:

DRAWN	SAURABH
CHK'D	
APP'D	
MFG	

MATERIAL:

WEIGHT:

SCALE:

SHEET: 1 OF 1

4

3

2

1



4

3

2

1

F

F

E

E

D

D

C

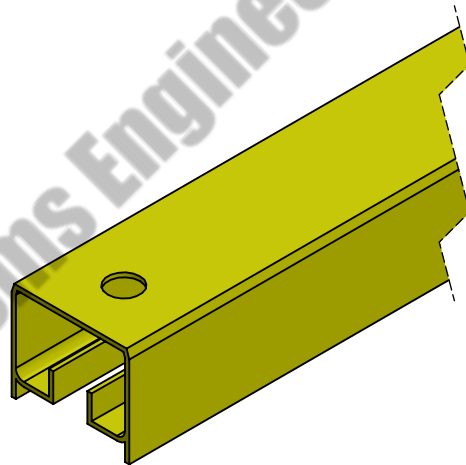
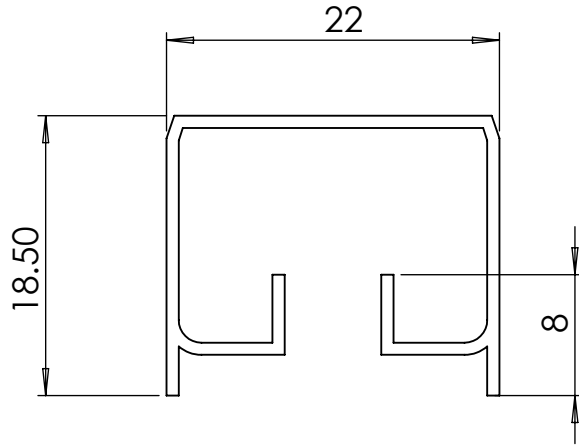
C

B

B

A

A



Anand Systems Engineering Pvt. Ltd.

COMPANY NAME:



**ANAND SYSTEM  
ENGINEERING PVT LTD**

DO NOT SCALE DRAWING.

REVISION:

TITLE:

**DSL BUSBAR  
SLEEVE M-TYPE  
2D**

Email id: info@anandcontrol.in

CONTACT NO: 9137620579

FINISH:

DWG NO.

DATE:

SIGNATURE:

DRAWN	SAURABH
CHK'D	
APP'D	
MFG	

MATERIAL: PVC

WEIGHT:

SCALE:

SHEET: 1 OF 1

4

3

2

1

4

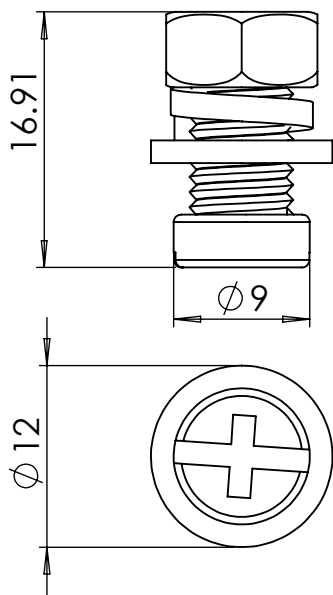
3

2

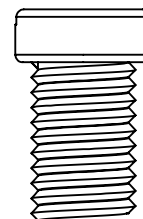
1

F

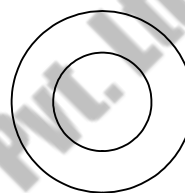
F



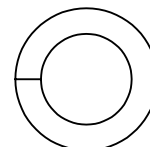
BOLT M6X10



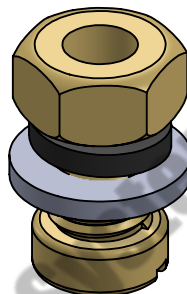
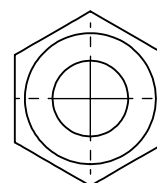
PLAIN WAHSER M6



SPRING WAHSER M6



NUT M6



Anand Systems Engineering Pvt. Ltd.

B

B

COMPANY NAME:



ANAND SYSTEM ENGINEERING PVT LTD

DO NOT SCALE DRAWING.

REVISION:

TITLE:

END POWER FEED ASSM M-TYPE 2D

A

A

Email id: info@anandcontrol.in

CONTACT NO: 9137620579

FINISH:

DWG NO.

DATE:

SIGNATURE:

DRAWN	SAURABH
CHK'D	
APP'D	
MFG	

MATERIAL:	
WEIGHT:	

SCALE:		SHEET: 1 OF 1
--------	--	---------------

4

3

2

1

A

A

4

3

2

1

F

F

E

E

D

D

C

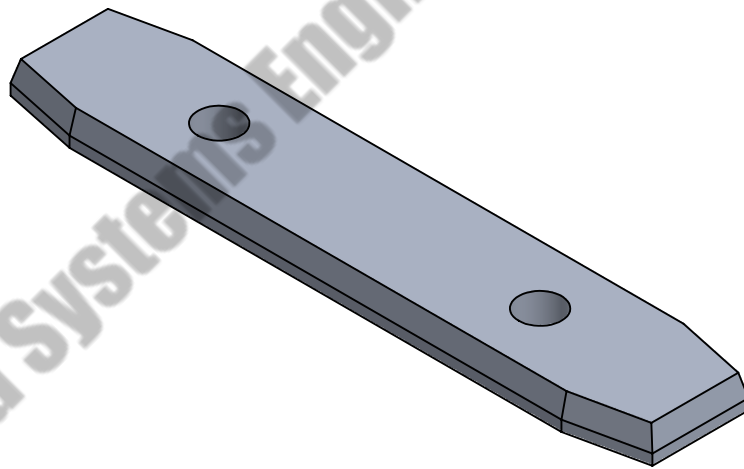
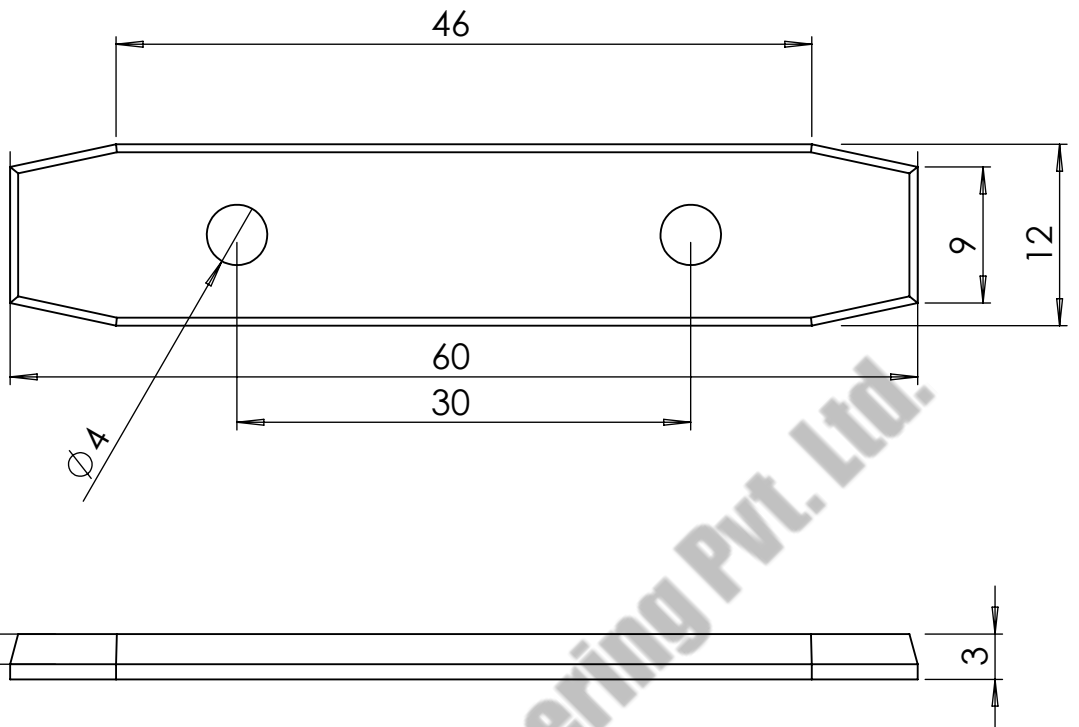
C

B

B

A

A



COMPANY NAME:



ANAND SYSTEM  
ENGINEERING PVT LTD

Email id: info@anandcontrol.in

CONTACT NO: 9137620579

FINISH:

DO NOT SCALE DRAWING.

REVISION:

TITLE:

JOINING PIN  
ALU M-TYPE  
2D

DWG NO.

DATE:

SIGNATURE:

A

DRAWN	SAURABH
CHK'D	
APP'D	
MFG	

MATERIAL:	
WEIGHT:	

SCALE:

SHEET: 1 OF 1

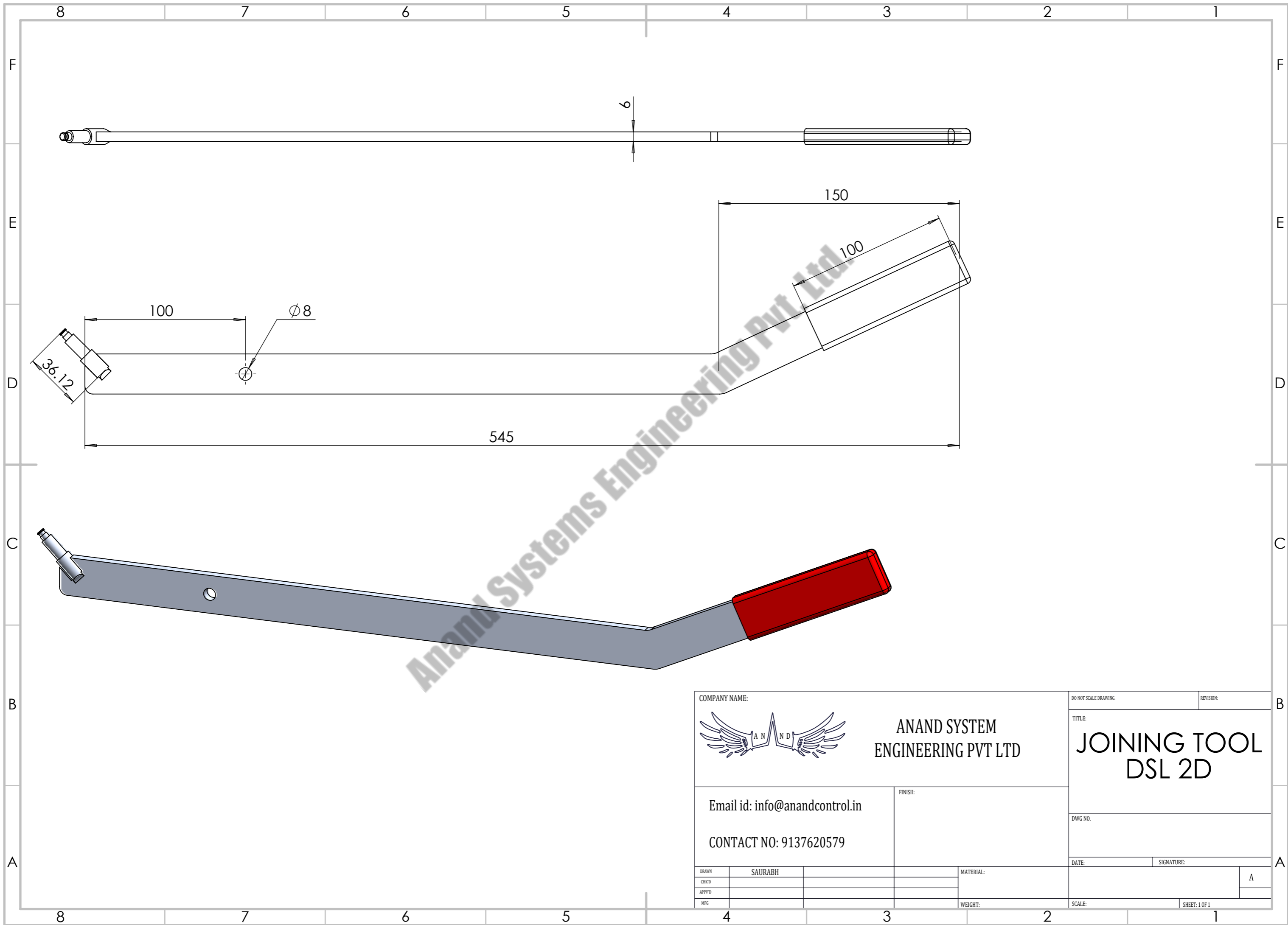
4

3


2

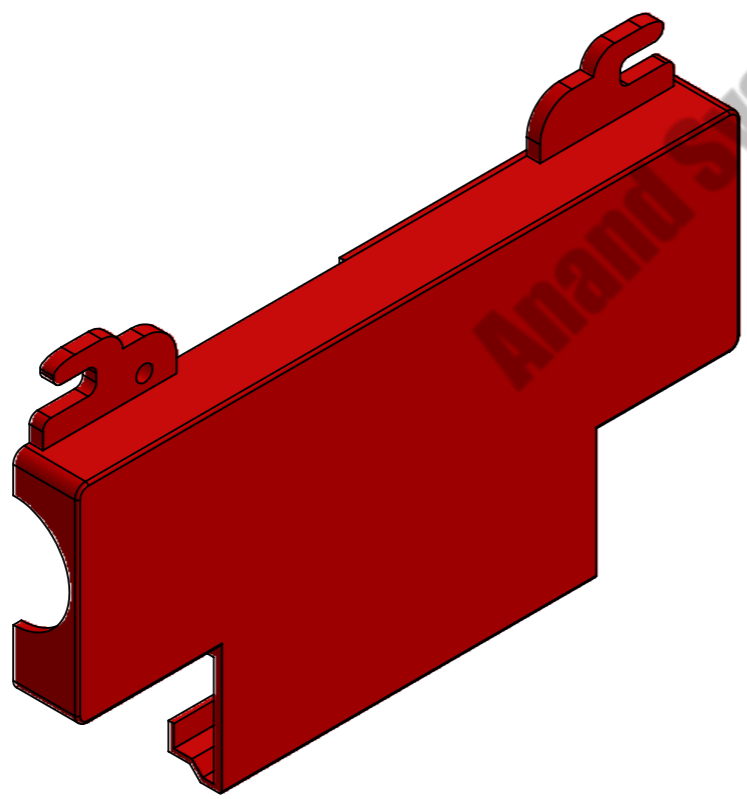
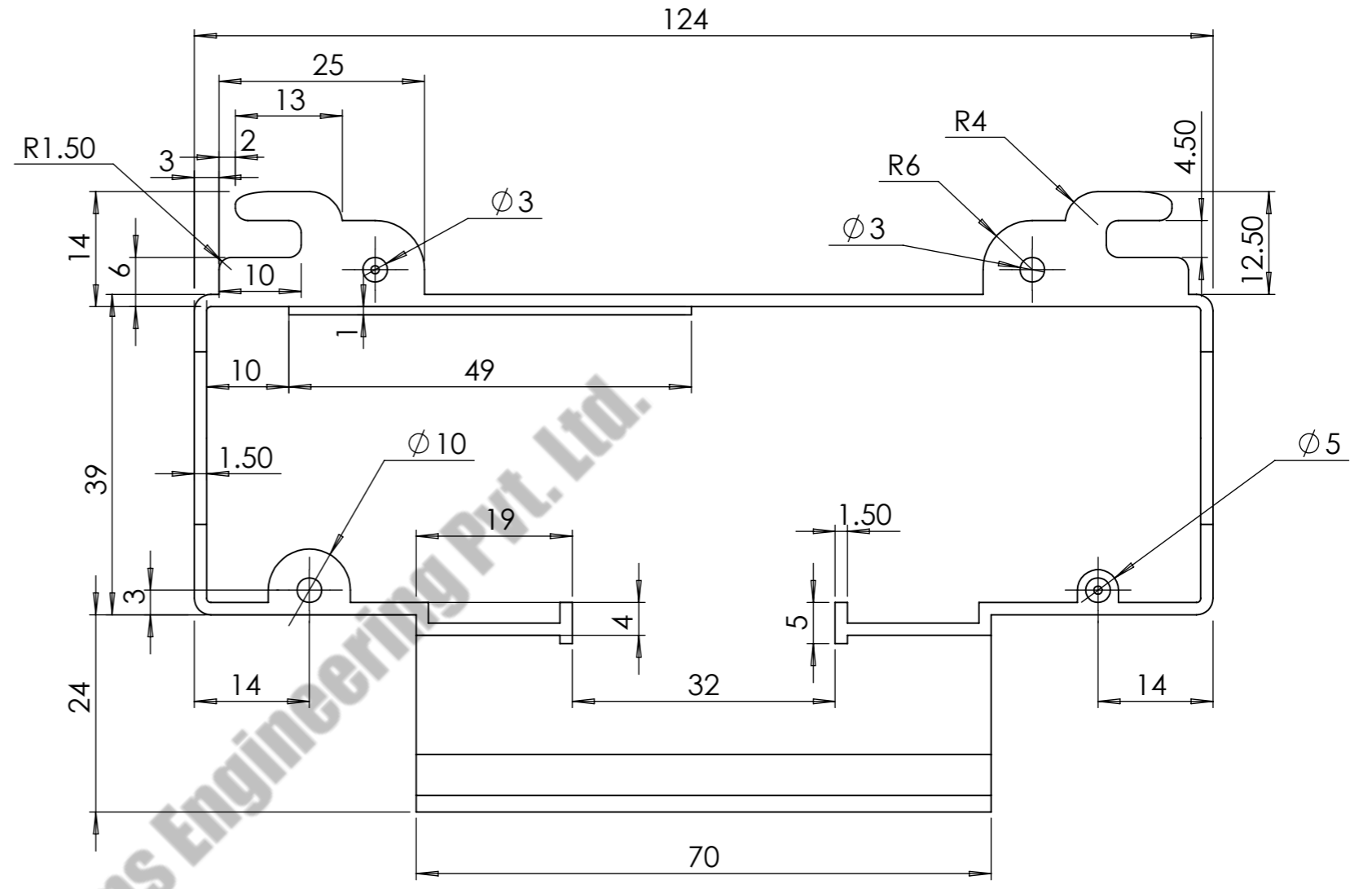
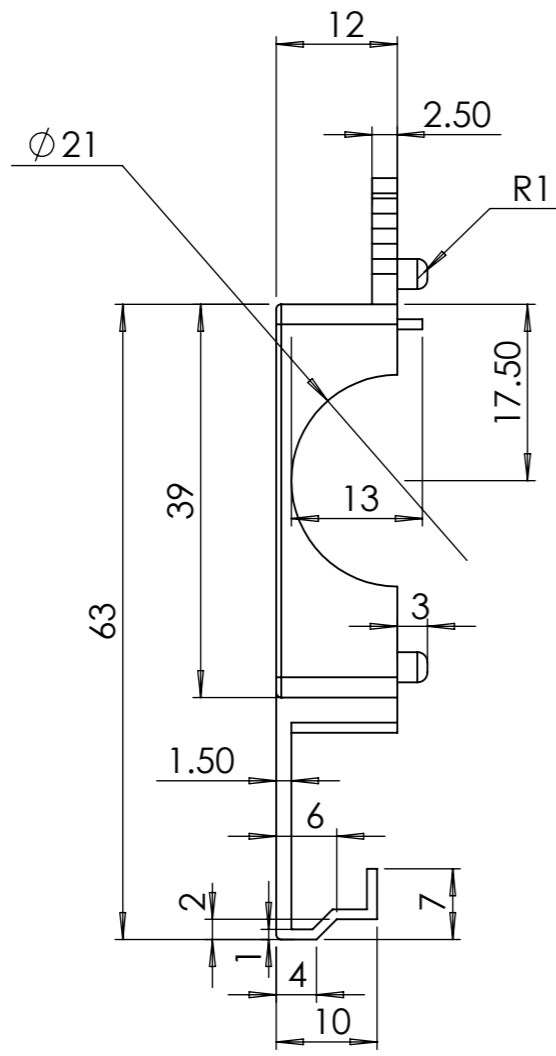
1




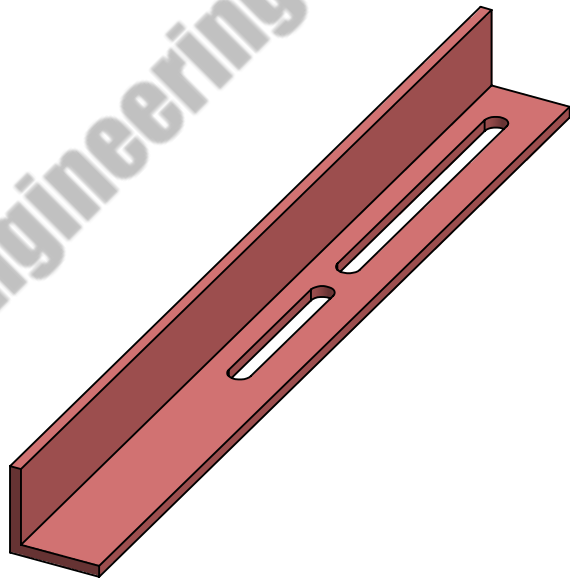
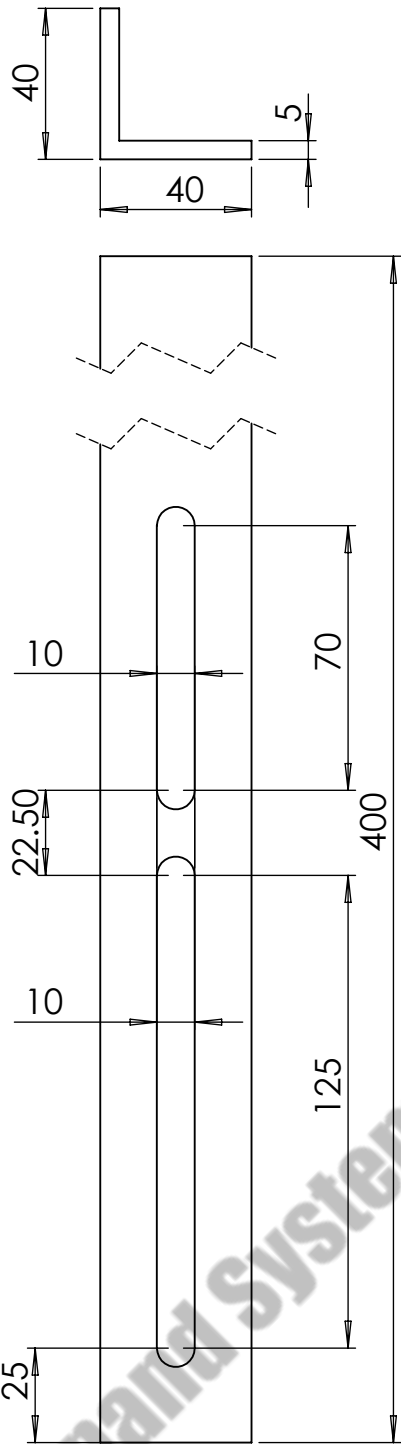


Anand Systems Engineering Pvt Ltd.

COMPANY NAME:		ANAND SYSTEM ENGINEERING PVT LTD		DO NOT SCALE DRAWING.	REVISION:
		<p>Email id: info@anandcontrol.in</p> <p>CONTACT NO: 9137620579</p>		<p>TITLE:</p> <h2 style="text-align: center;">JOINING TOOL DSL 2D</h2>	
FINISH:		MATERIAL:		DWG NO.	
DATE:		SIGNATURE:		A	
DRAWN	SAURABH	WEIGHT:		SCALE:	SHEET: 1 OF 1
CHK'D					
APP'VD					
MFG					




COMPANY NAME:		ANAND SYSTEM ENGINEERING PVT LTD		DO NOT SCALE DRAWING.	REVISION:
		<p>ANAND SYSTEM ENGINEERING PVT LTD</p>		TITLE:	
Email id: info@anandcontrol.in		FINISH:		MOULDING CENTRE POWER FEED COVER M-TYPE 2D	
CONTACT NO: 9137620579				DWG NO.	
DRAWN: SAURABH		MATERIAL:		DATE:	
CHK'D:				SIGNATURE:	
APPY'D:					
MFG:		WEIGHT:		SCALE:	
				SHEET: 1 OF 1	



40X40X400, THK-5  
MM

Anand Systems Engineering Pvt. Ltd.

COMPANY NAME:		DO NOT SCALE DRAWING.		REVISION:	
 <p><b>ANAND SYSTEM ENGINEERING PVT LTD</b></p>		<p>TITLE:</p> <p><b>Web-Bracket M-TYPE 2D</b></p>			
Email id: info@anandcontrol.in		FINISH:		DWG NO.	
CONTACT NO: 9137620579				DATE:	
DRAWN: SAURABH		MATERIAL:		SIGNATURE:	
CHK'D:				A	
APP'D:					
MFG:		WEIGHT:		SCALE:	
				SHEET: 1 OF 1	