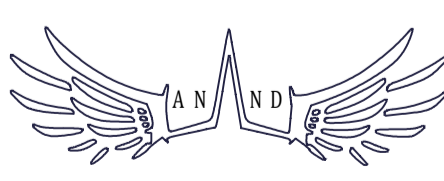
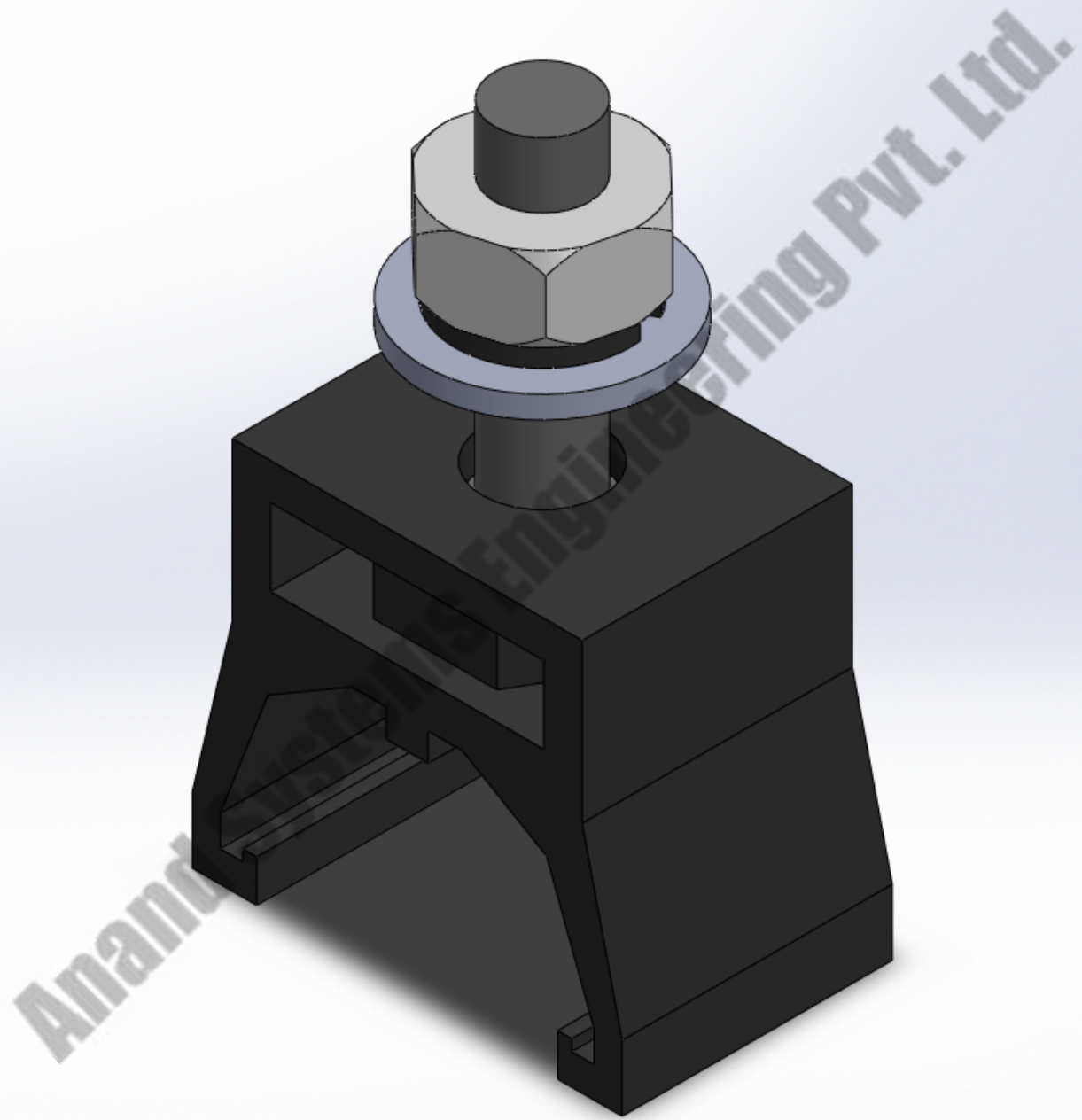


COMPANY NAME:		ANAND SYSTEM ENGINEERING PVT LTD		DO NOT SCALE DRAWING	REVISION:
		Email id: info@anandcontrol.in CONTACT NO: 9137620579		TITLE: W TYPE (BOLT TYPE) ASSEMBLY 2D	
DATE:	31/10/2024	SIGNATURE:		DWG NO:	
SCALE:		WEIGHT:		SHEET: 1 OF 1	
DRWN:	SAURABH	MATERIAL:		A	
CHKD:	AJAY				
APPD:					
MFC:					



4

3

2

1

F

F

E

E

D

D

C

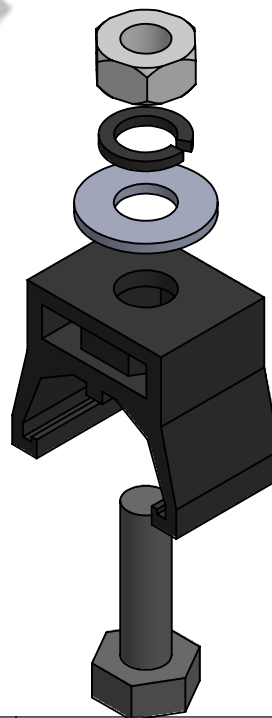
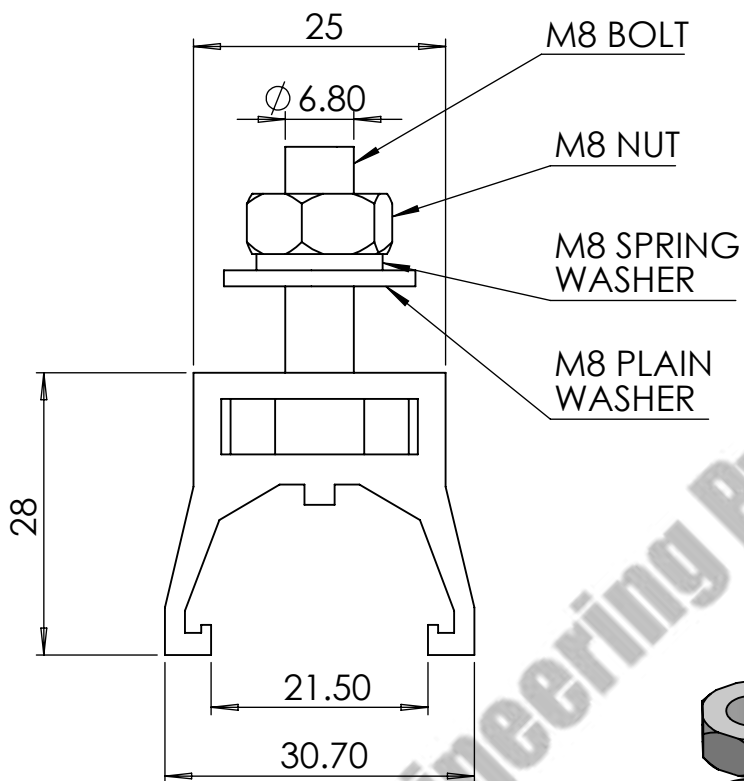
C

B

B

A

A



COMPANY NAME:



ANAND SYSTEM
ENGINEERING PVT LTD

DO NOT SCALE DRAWING

REVISION:

TITLE:

SINGLE POLE
HANGER CLAMP
W-TYPE ASSM 2D

Email id: info@anandcontrol.in

CONTACT NO: 9137620579

FINISH:

DWG NO.

DATE:

SIGNATURE:

A

DRAWN	SAURABH
CHK'D	
APP'D	
MFG	

MATERIAL:

WEIGHT:

SCALE:

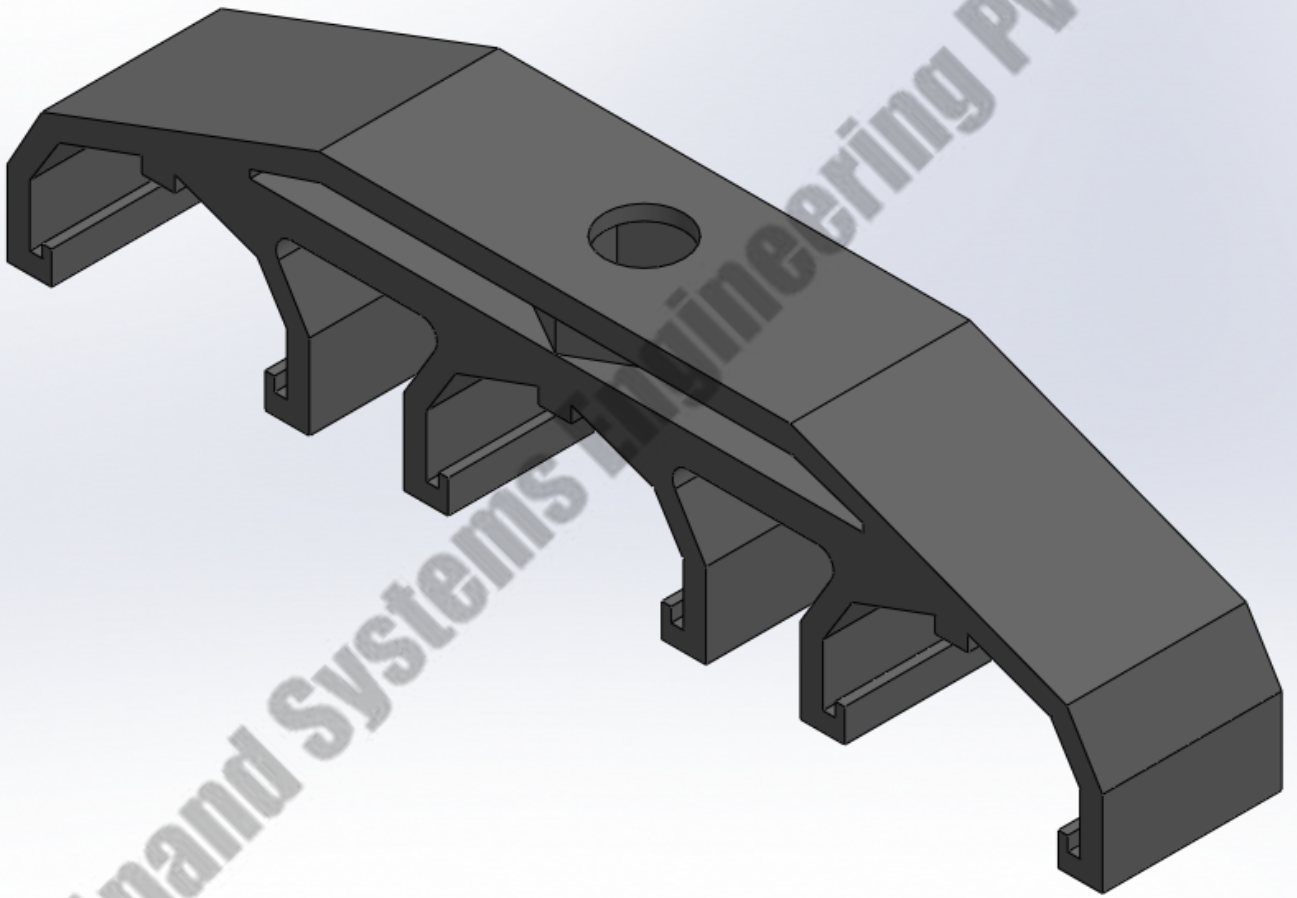
SHEET: 1 OF 1

4

3

2

1



4

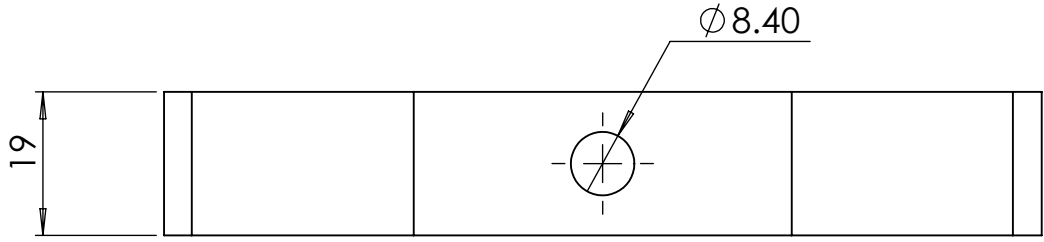
3

2

1

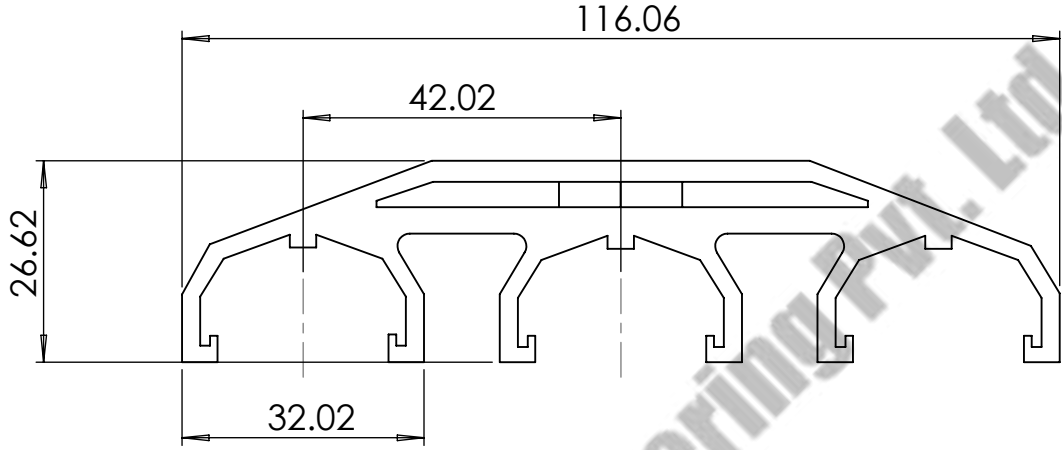
F

F



E

E

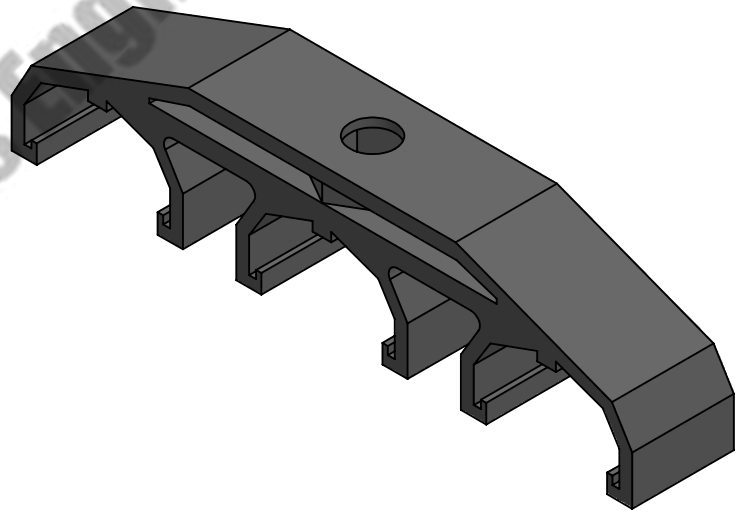


D

D

C

C



B

B

COMPANY NAME:



**ANAND SYSTEM
ENGINEERING PVT LTD**

DO NOT SCALE DRAWING.

REVISION:

TITLE:

**3 POLE HANGER
CLAMP W TYPE
2D**

Email id: info@anandcontrol.in

CONTACT NO: 9137620579

FINISH:

DWG NO.

DATE:

SIGNATURE:

A

A

DRAWN	SAURABH
CHK'D	
APP'D	
MFG	

MATERIAL:

WEIGHT:

SCALE:

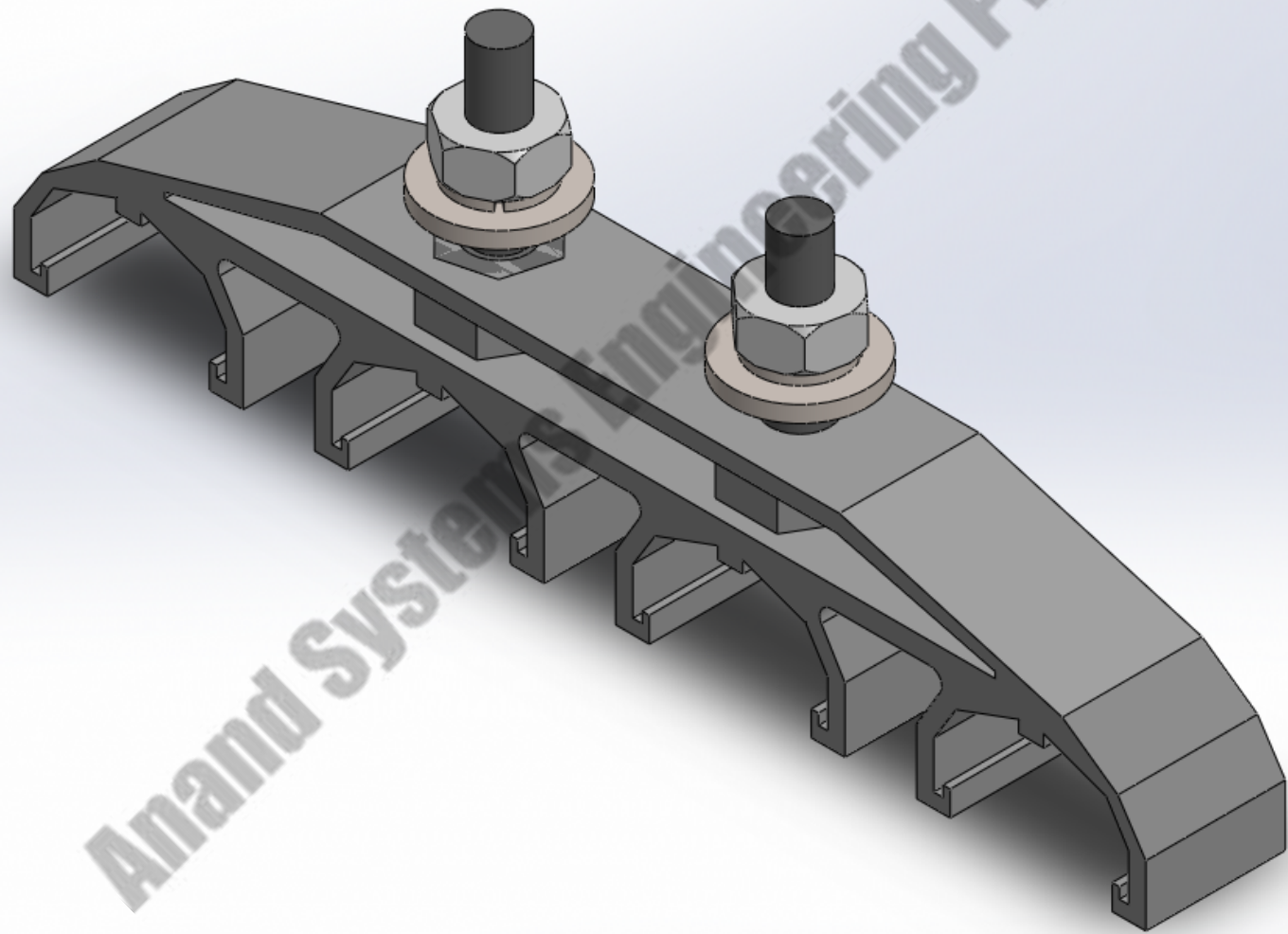
SHEET: 1 OF 1

4

3

2

1



Anand Systems Engineering Pvt. Ltd.

4

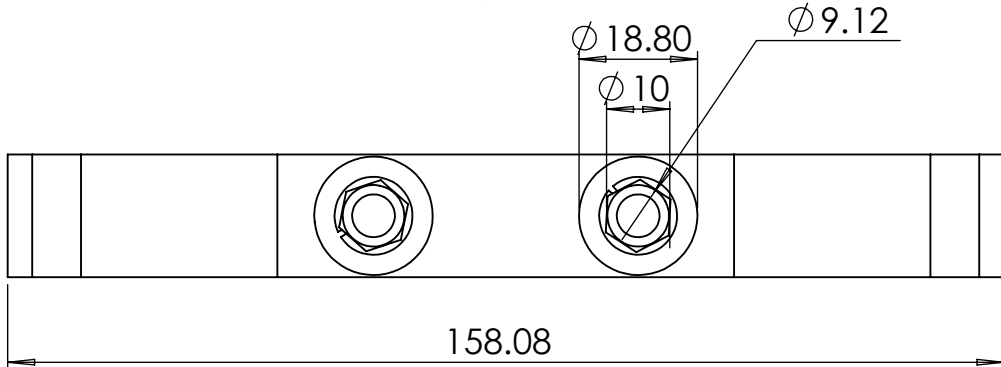
3

2

1

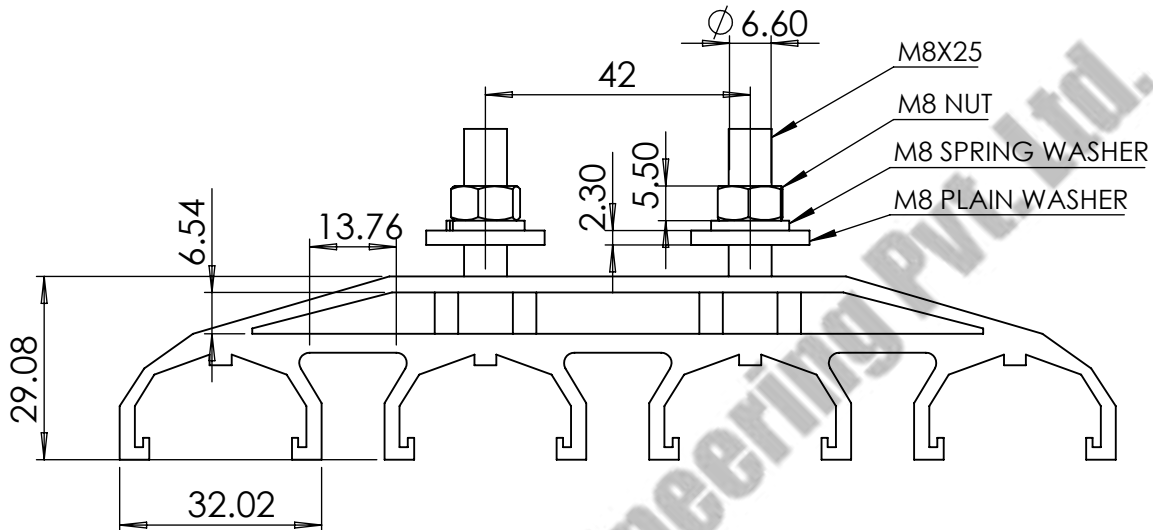
F

F



E

E

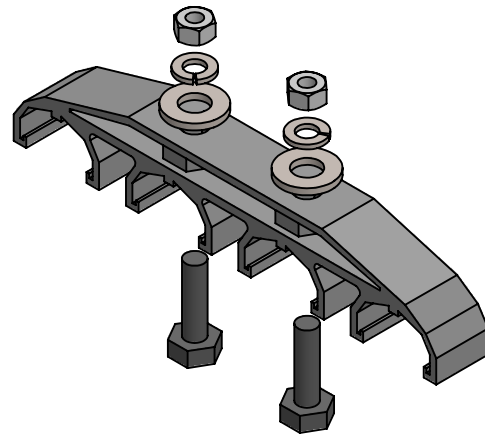


D

D

C

C



B

B

COMPANY NAME:



ANAND SYSTEM
ENGINEERING PVT LTD

DO NOT SCALE DRAWING.

REVISION:

TITLE:

4 POLE HANGER
CLAMP W
TYPE.ASSEMBLY 2D

Email id: info@anandcontrol.in

CONTACT NO: 9137620579

FINISH:

DWG NO.

DATE:

SIGNATURE:

A

A

DRAWN	SAURABH
CHK'D	
APP'D	
MFG	

MATERIAL:	
WEIGHT:	

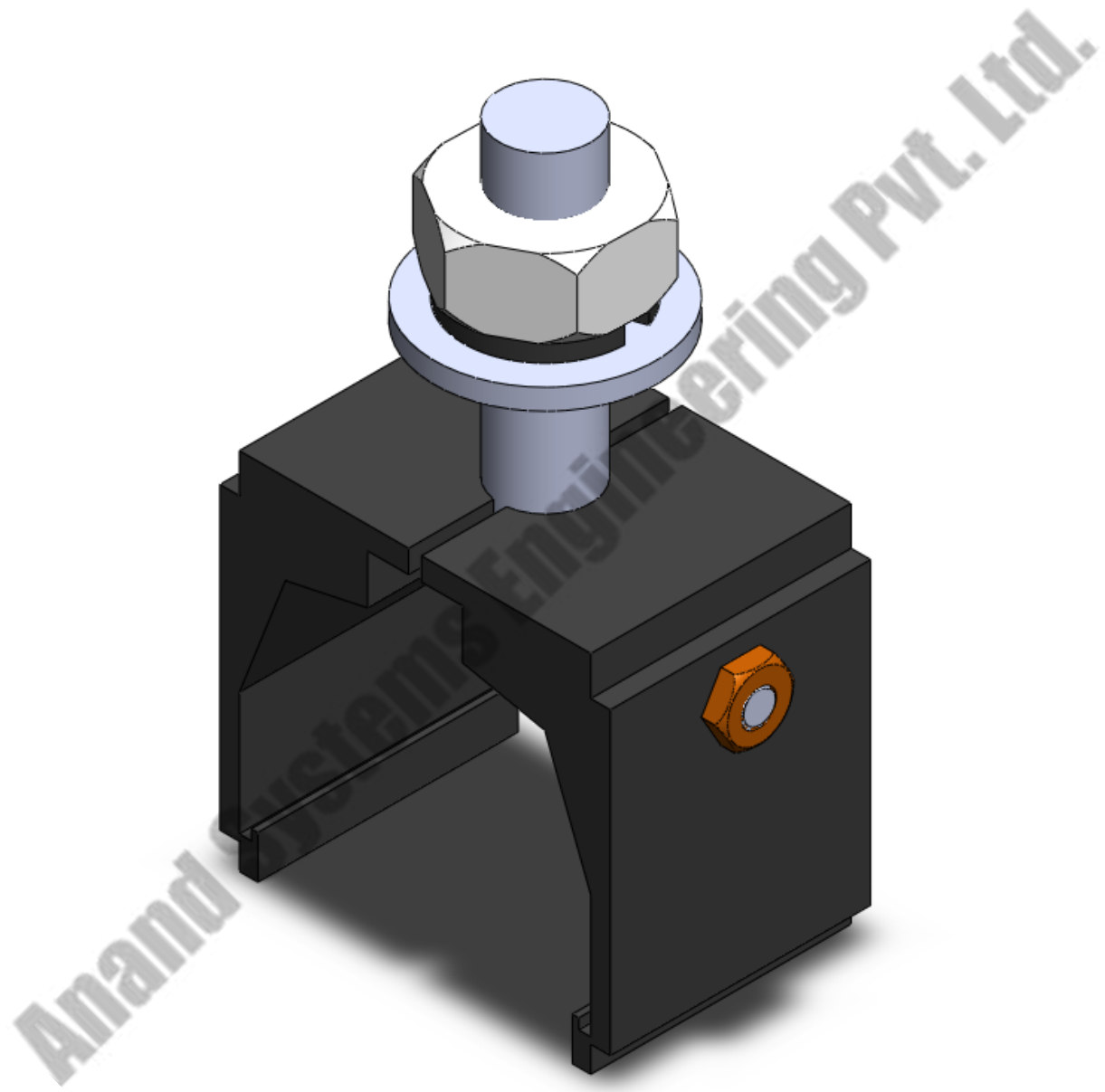
SCALE:	
SHEET: 1 OF 1	

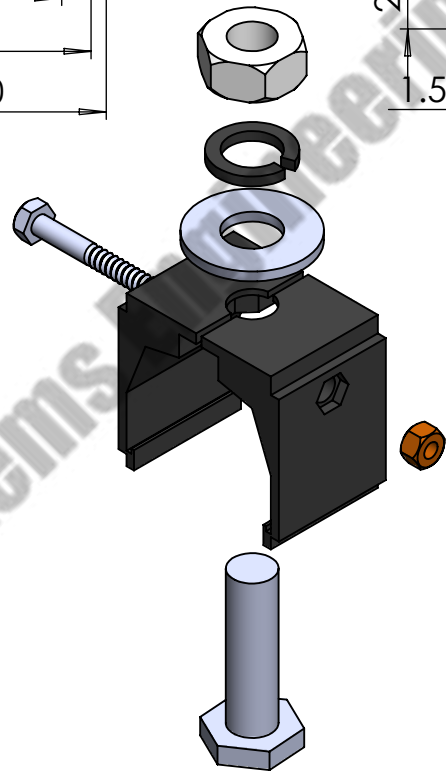
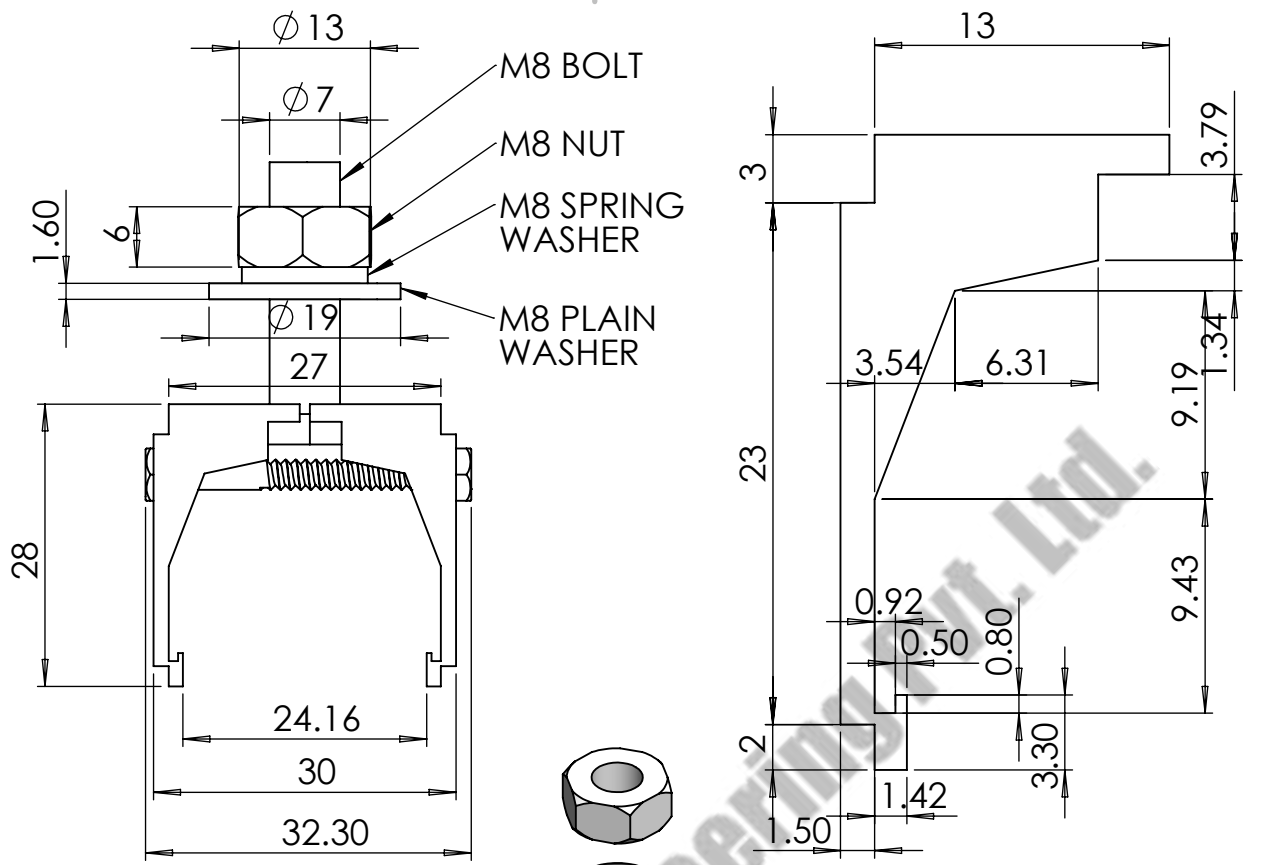
4


3

2

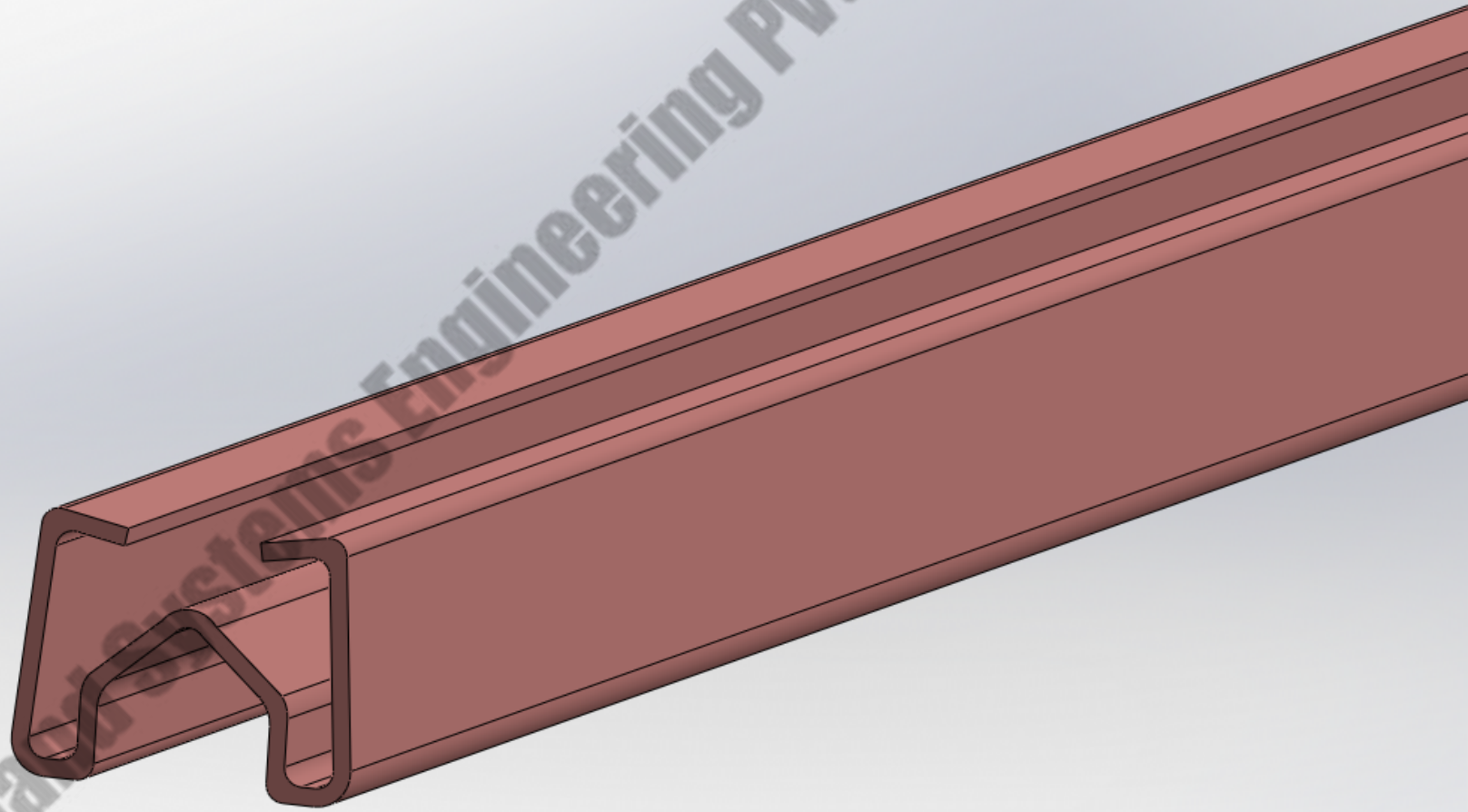
1





COMPANY NAME:		DO NOT SCALE DRAWING.		REVISION:																									
		ANAND SYSTEM ENGINEERING PVT LTD		TITLE: ANCHOR CLAMP ASSEMBLY W TYPE 2D																									
Email id: info@anandcontrol.in		FINISH:		DWG NO. 28X30X20																									
CONTACT NO: 9137620579				DATE: _____ SIGNATURE: _____																									
<table border="1"> <tr><td>DRAWN</td><td>SAURABH</td><td></td><td></td><td>MATERIAL:</td><td></td></tr> <tr><td>CHK'D</td><td></td><td></td><td></td><td></td><td></td></tr> <tr><td>APP'D</td><td></td><td></td><td></td><td></td><td></td></tr> <tr><td>MFG</td><td></td><td></td><td></td><td></td><td></td></tr> </table>	DRAWN	SAURABH			MATERIAL:		CHK'D						APP'D						MFG									WEIGHT:	SCALE: _____ SHEET: 1 OF 1
DRAWN	SAURABH			MATERIAL:																									
CHK'D																													
APP'D																													
MFG																													

Anant Systems Engineering Pvt. Ltd.



4

3

2

1

F

F

E

E

D

D

C

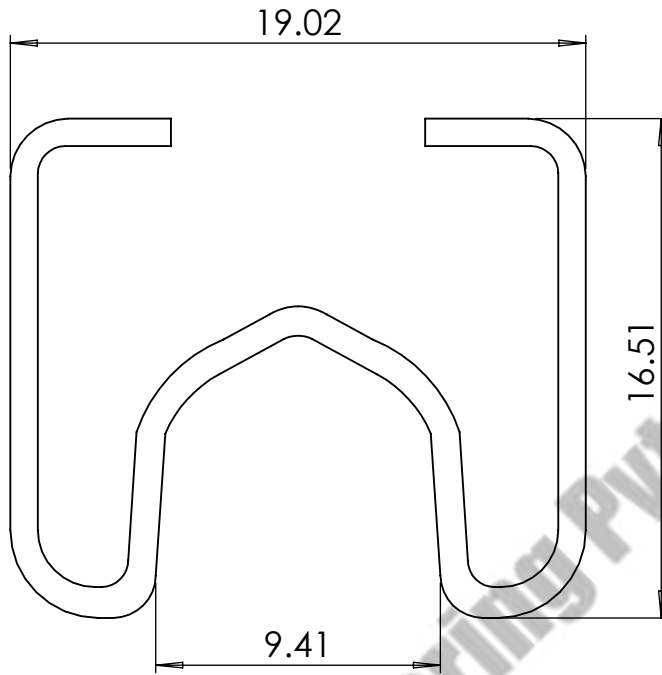
C

B

B

A

A



COMPANY NAME:



ANAND SYSTEM
ENGINEERING PVT LTD

DO NOT SCALE DRAWING.

REVISION:

TITLE:

AL-CU W TYPE
DSL 2D

Email id: info@anandcontrol.in

CONTACT NO: 9137620579

FINISH:

DWG NO.

DATE:

SIGNATURE:

A

DRAWN	SAURABH
CHK'D	
APP'D	
MFG	

MATERIAL:	
WEIGHT:	

SCALE:

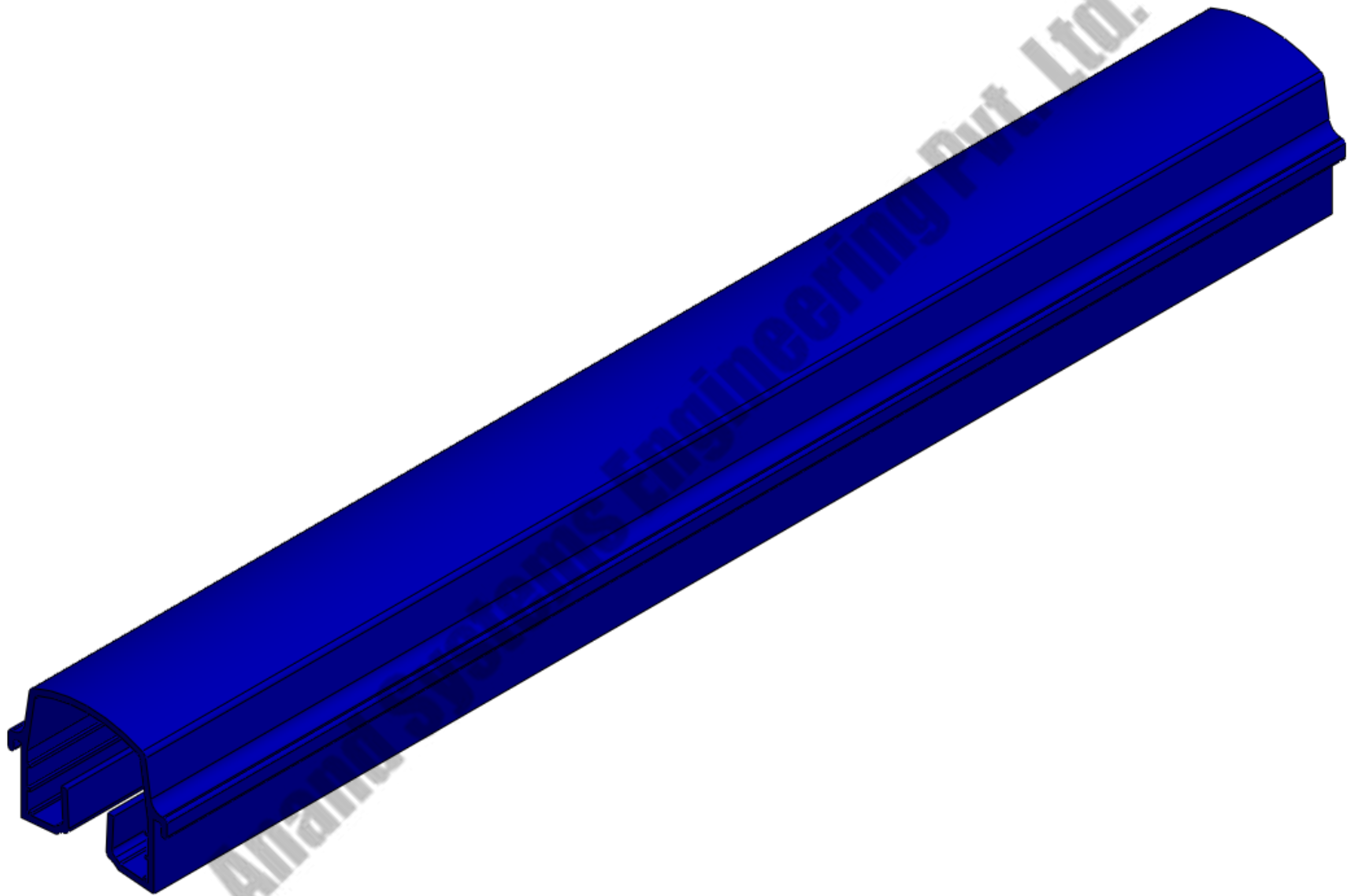
SHEET: 1 OF 1

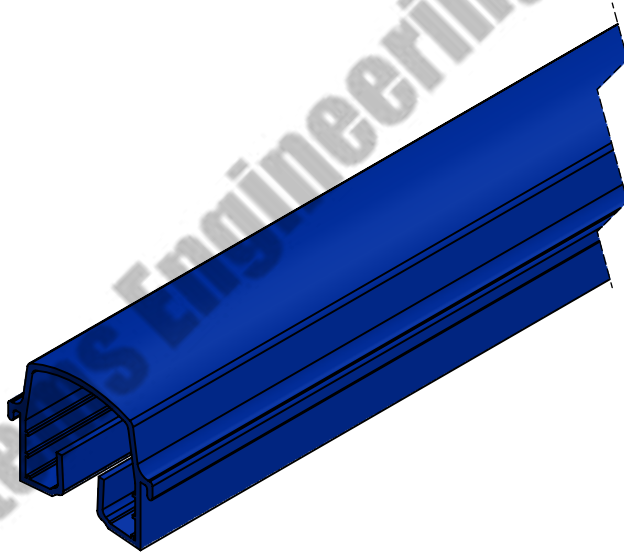
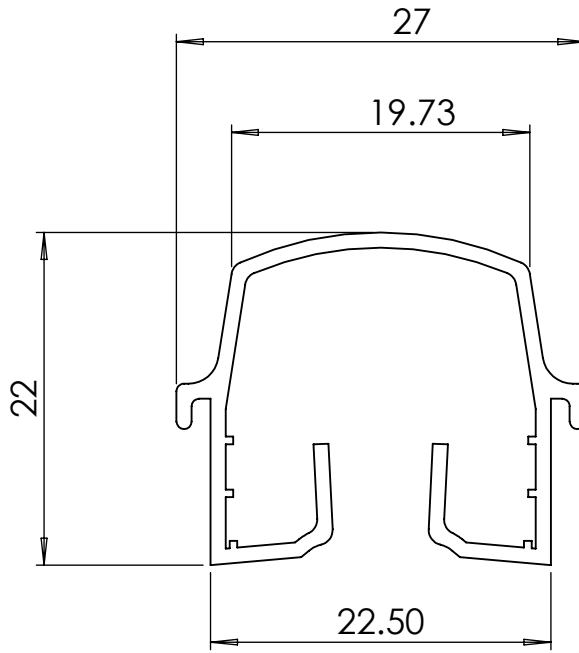
4

3

2

1





COMPANY NAME:



**ANAND SYSTEM
ENGINEERING PVT LTD**

DO NOT SCALE DRAWING.

REVISION:

TITLE:

**SLEEVE W
TYPE 2D**

Email id: info@anandcontrol.in

CONTACT NO: 9137620579

FINISH:

DWG NO.

DATE:

SIGNATURE:

DRAWN	SAURABH
CHK'D	
APP'D	
MFG	

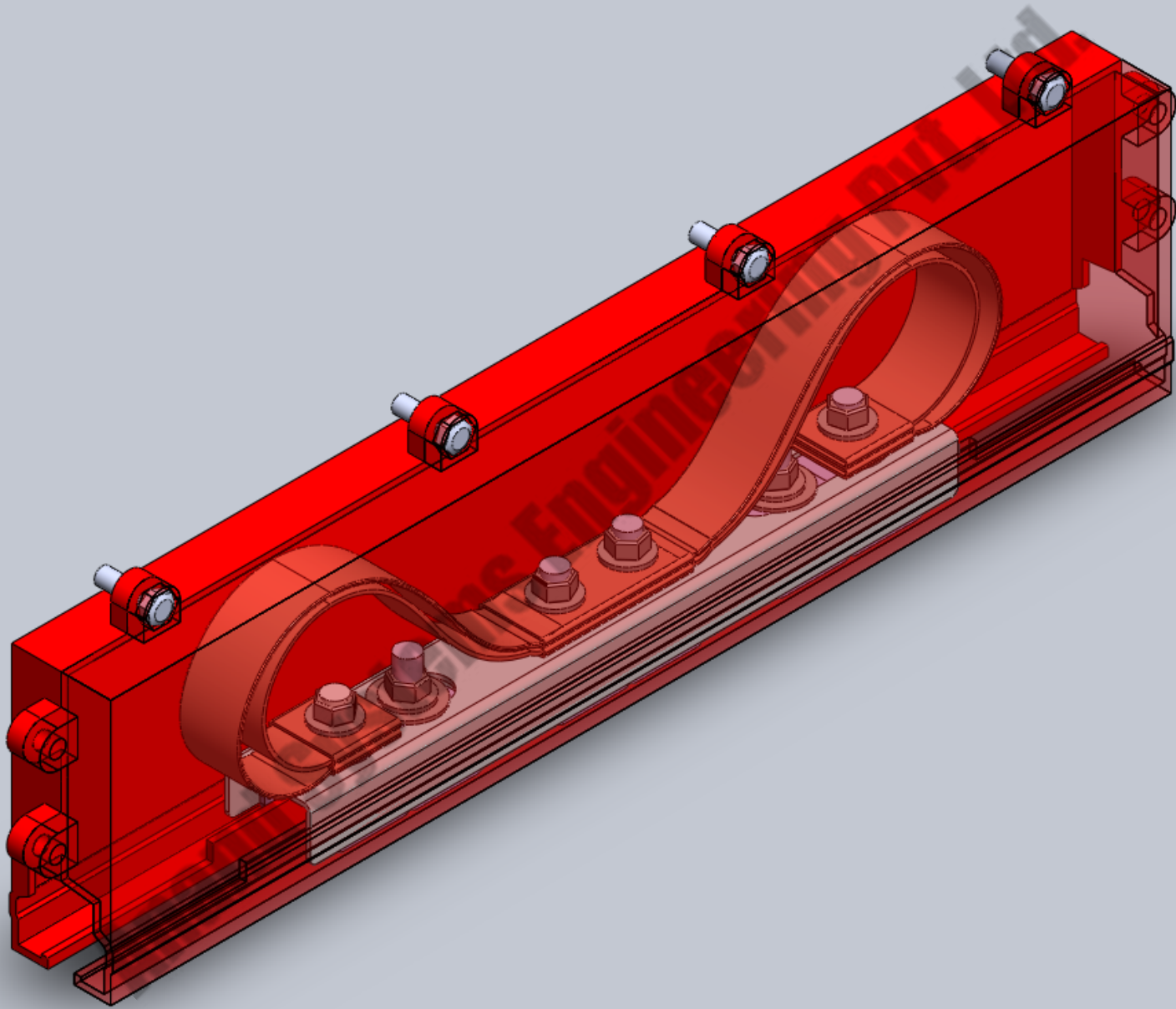
MATERIAL:

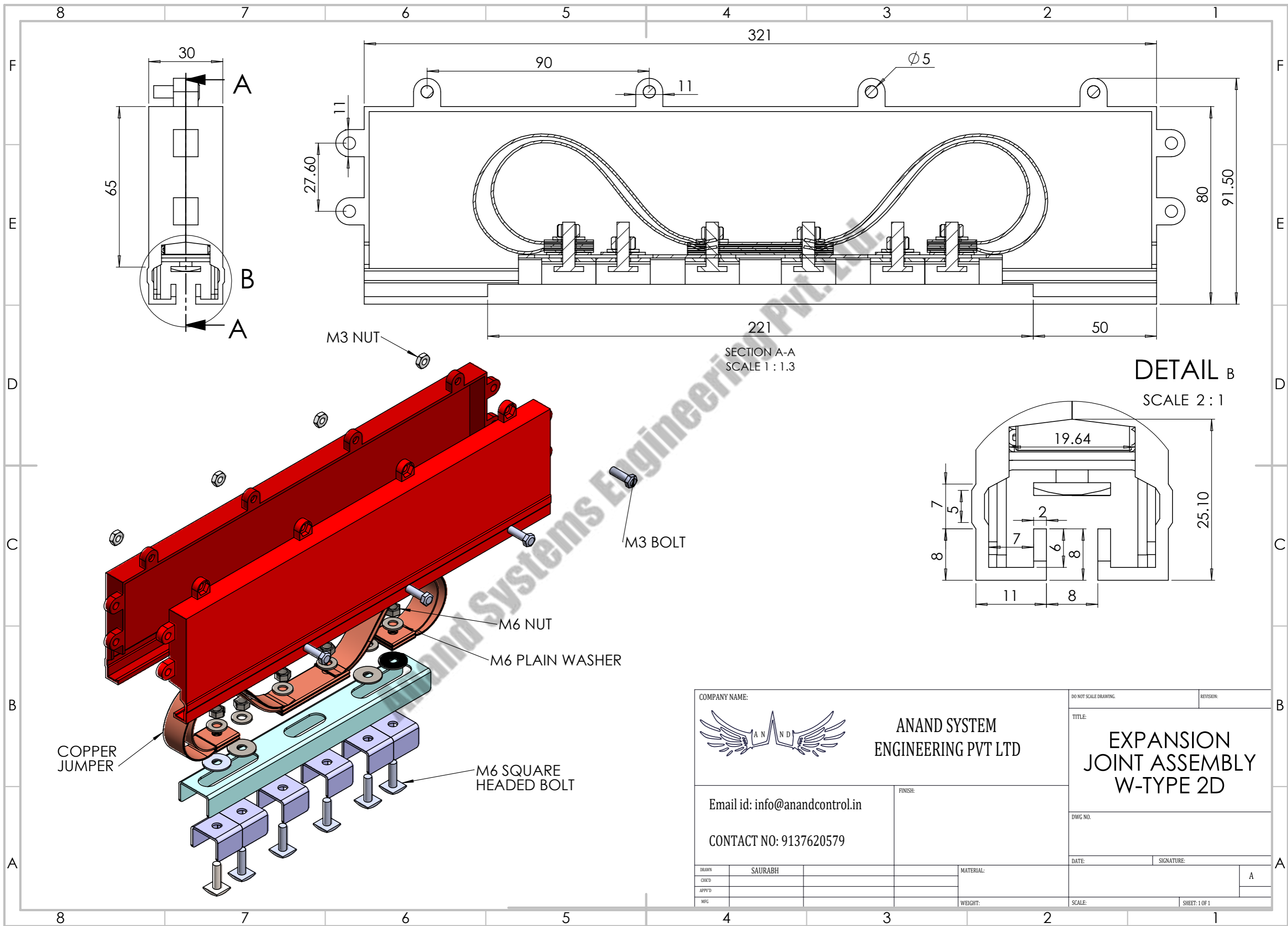
WEIGHT:

SCALE:

SHEET: 1 OF 1


A

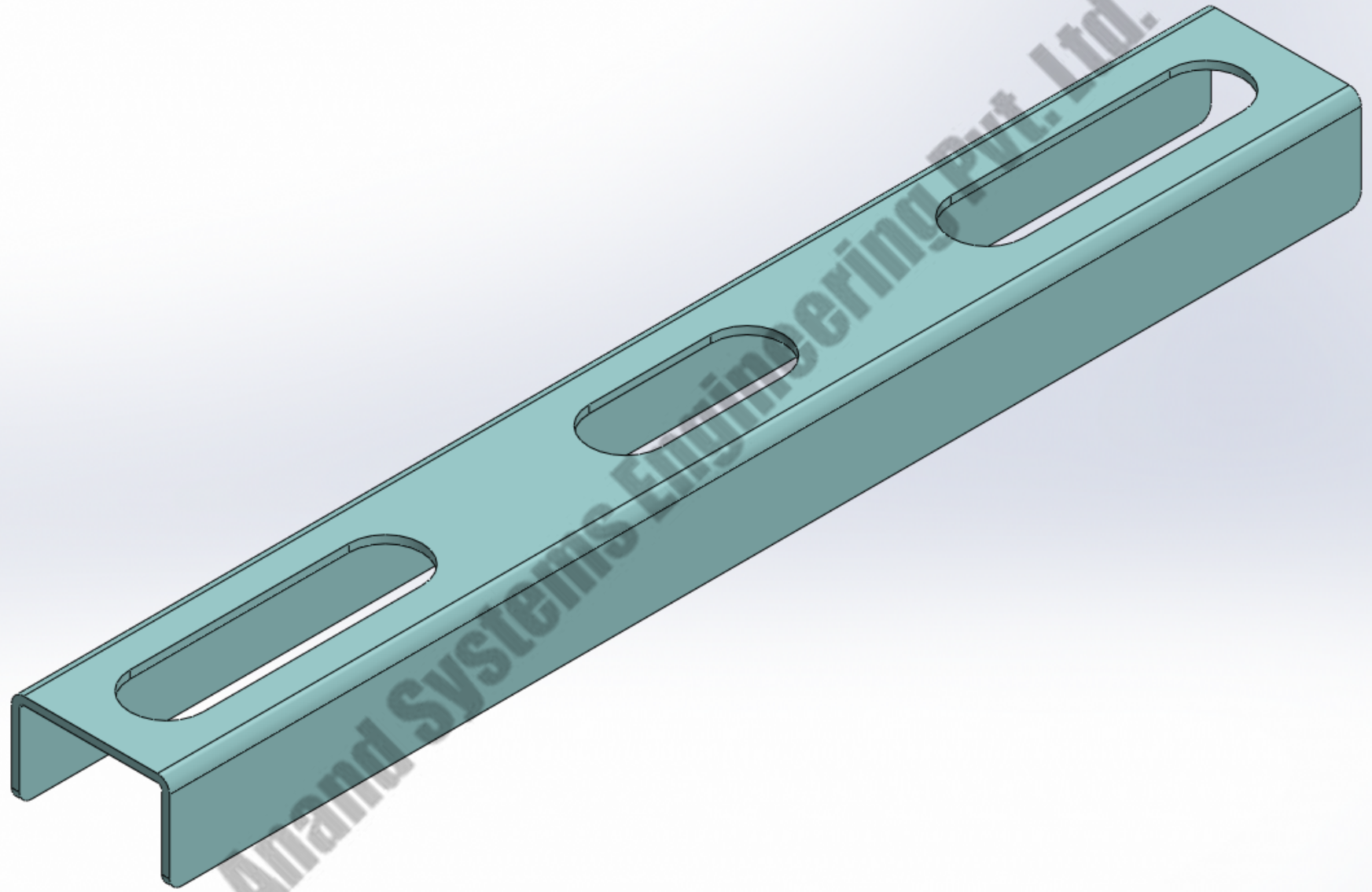




SECTION A-A
SCALE 1 : 1.3

DETAIL B
SCALE 2 : 1

COMPANY NAME:		ANAND SYSTEM ENGINEERING PVT LTD		DO NOT SCALE DRAWING.	REVISION:
		Email id: info@anandcontrol.in CONTACT NO: 9137620579		TITLE: EXPANSION JOINT ASSEMBLY W-TYPE 2D	
FINISH:		DATE:		SIGNATURE:	
MATERIAL:				A	
WEIGHT:		SCALE:		SHEET: 1 OF 1	
DRAWN: SAURABH					
CHK'D:					
APP'D:					
MFG:					



4

3

2

1

F

F

E

E

D

D

C

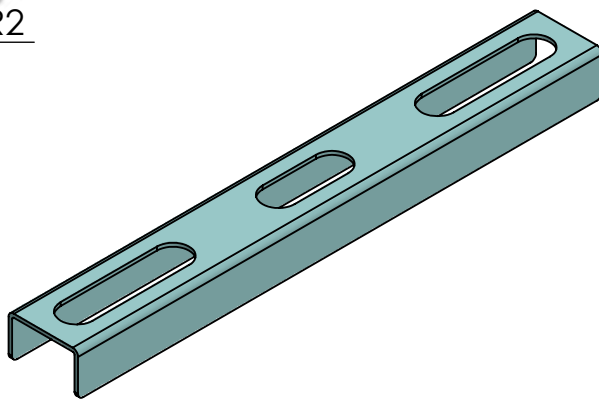
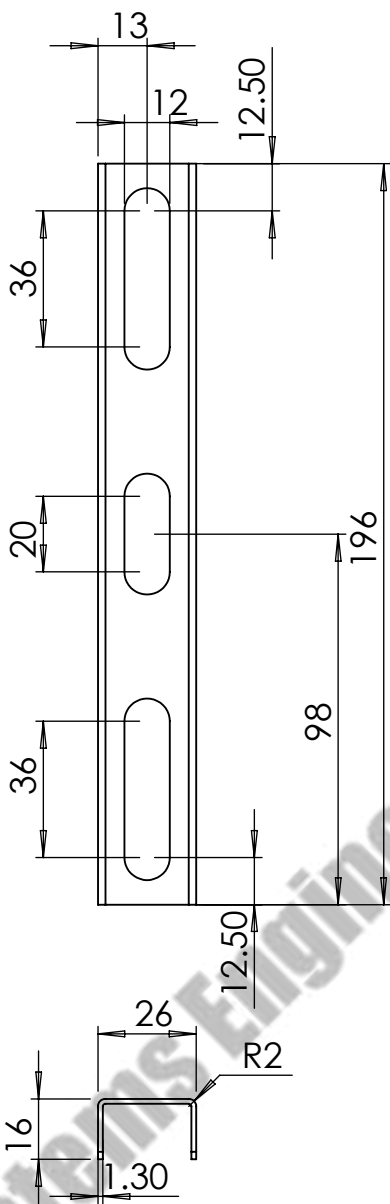
C

B

B

A

A



COMPANY NAME:



ANAND SYSTEM
ENGINEERING PVT LTD

DO NOT SCALE DRAWING.

REVISION:

TITLE:

CLAMP
EXPANSION
W-TYPE 2D

Email id: info@anandcontrol.in

FINISH:

CONTACT NO: 9137620579

DWG NO.

DATE:

SIGNATURE:

DRAWN	SAURABH
CHK'D	
APP'D	
MFG	

MATERIAL:

WEIGHT:

SCALE:

SHEET: 1 OF 1

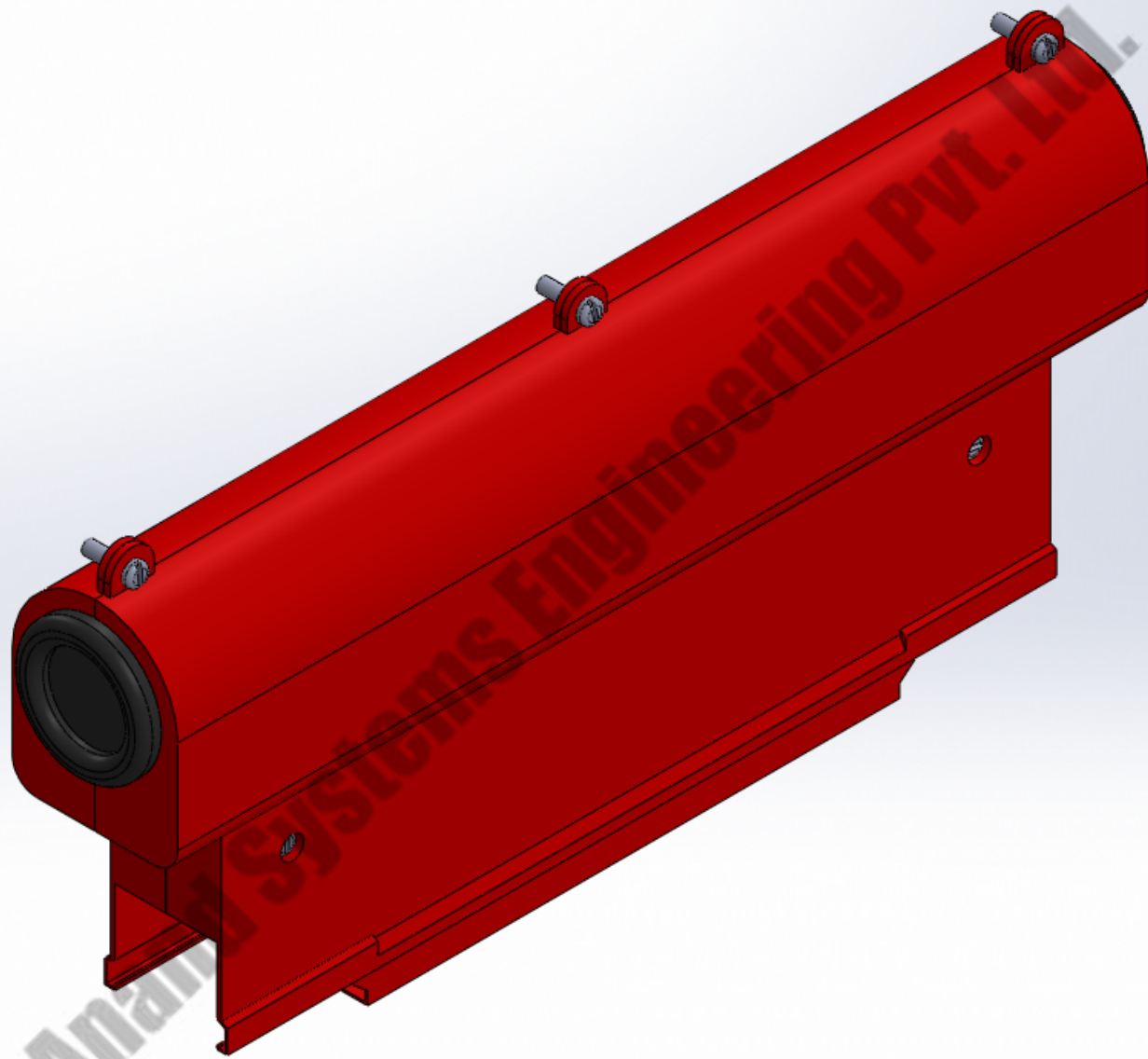
A

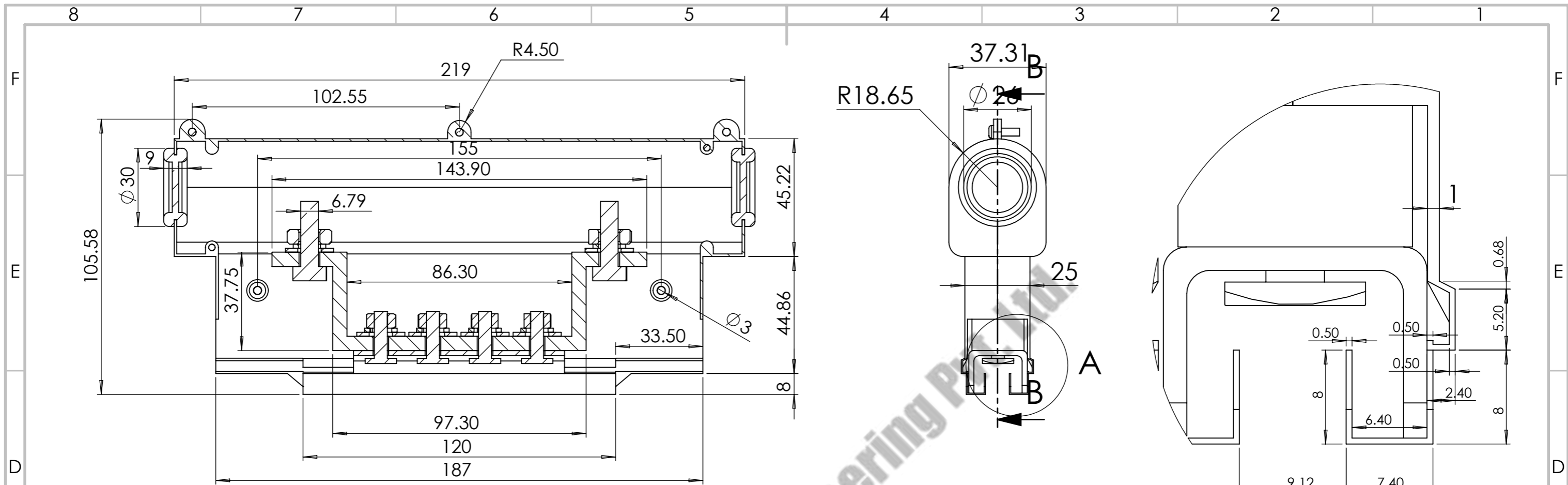
4

3

2

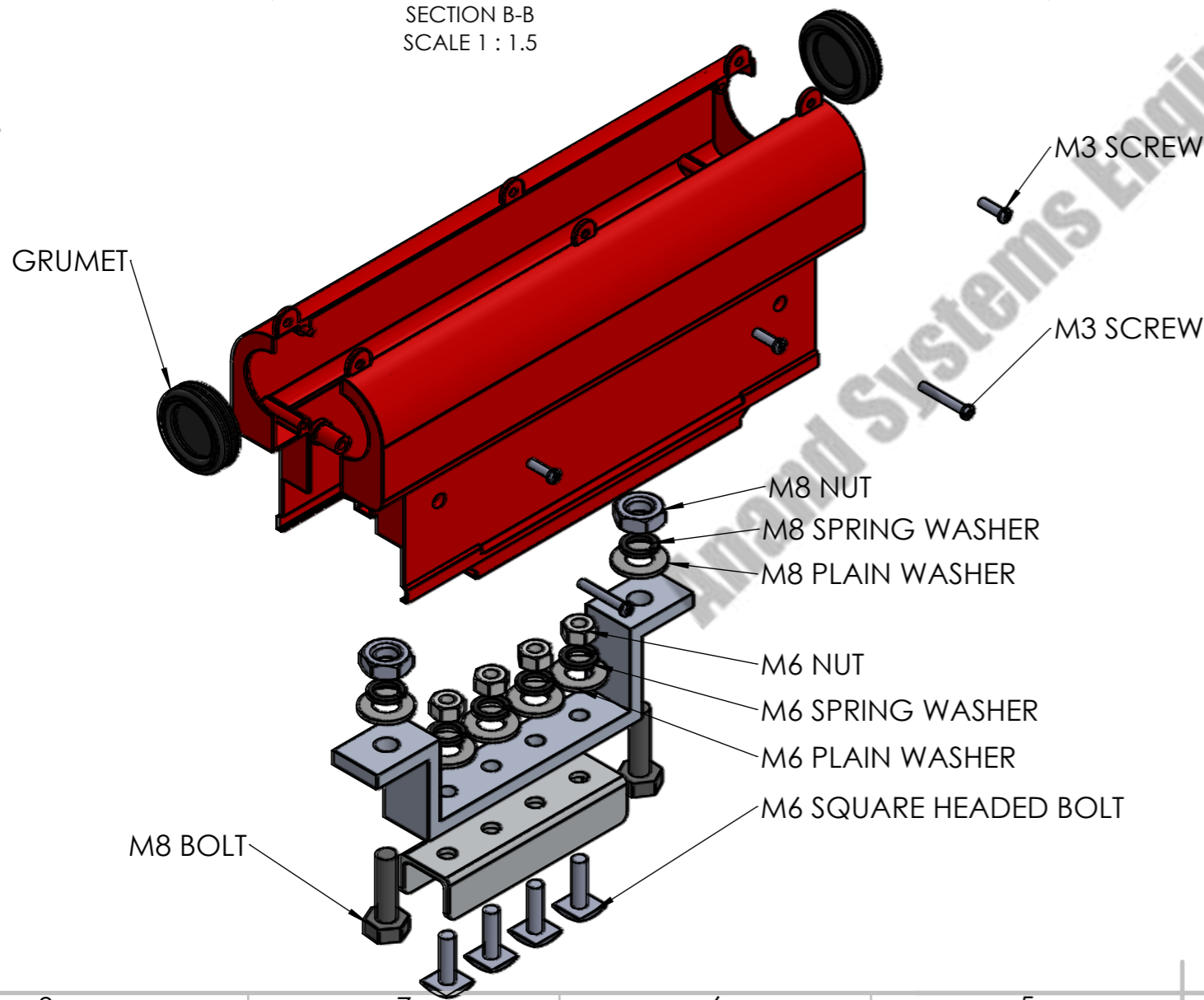
1




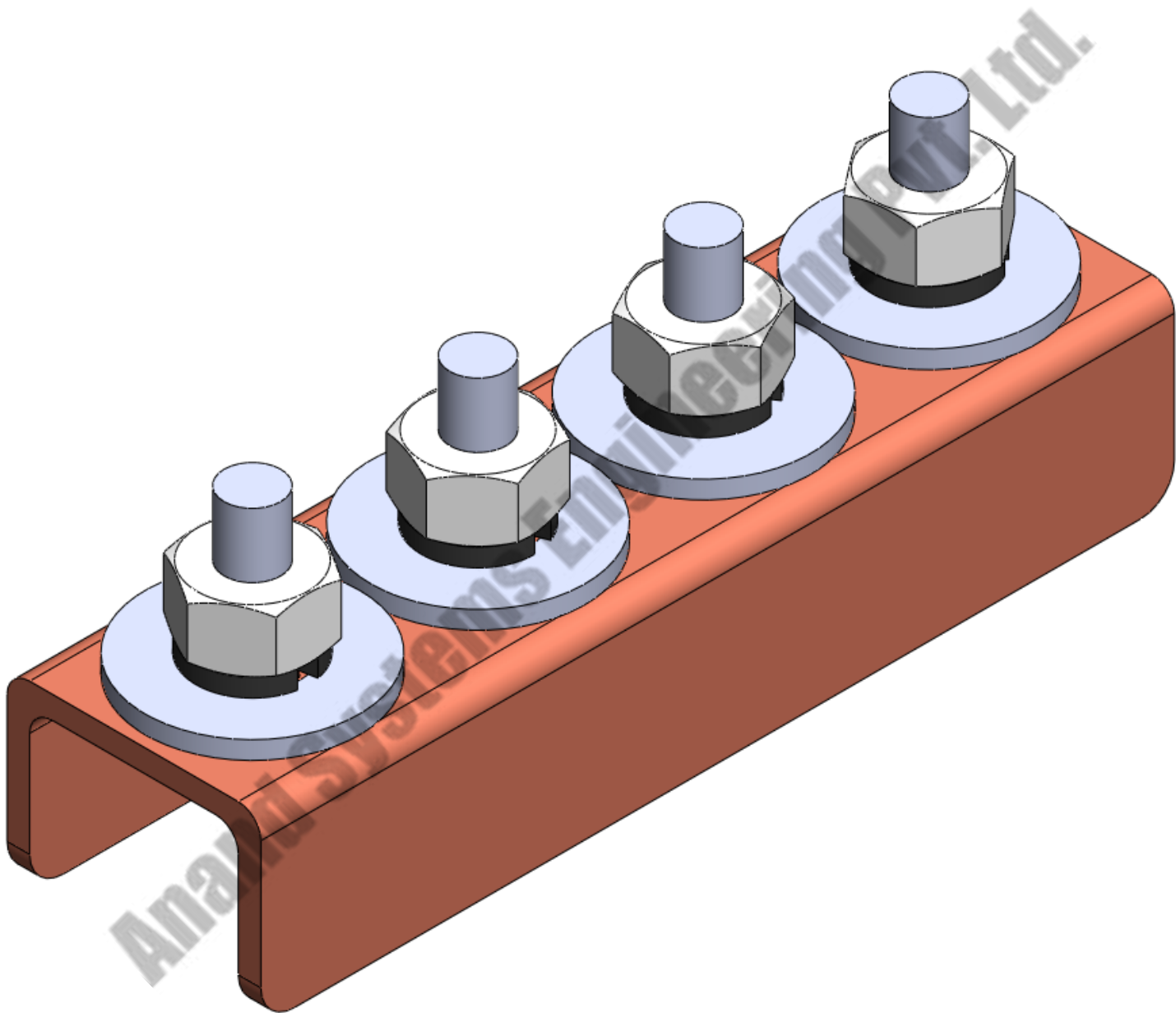


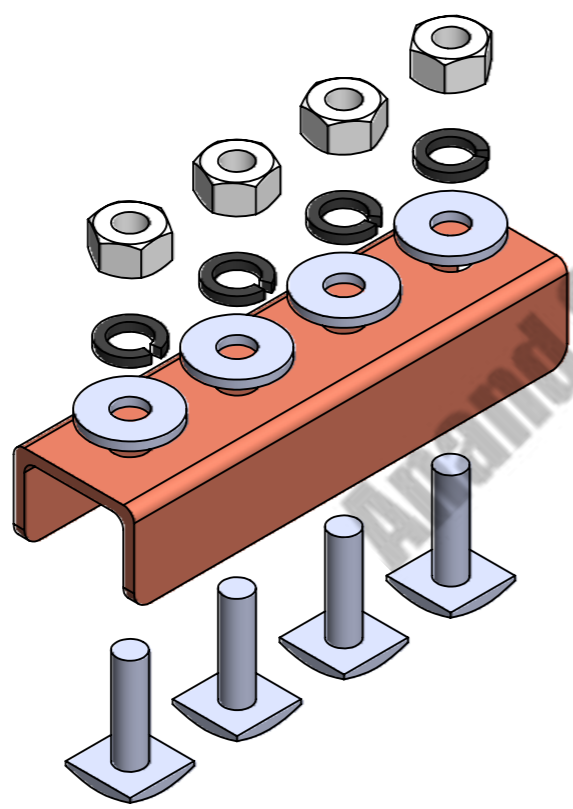
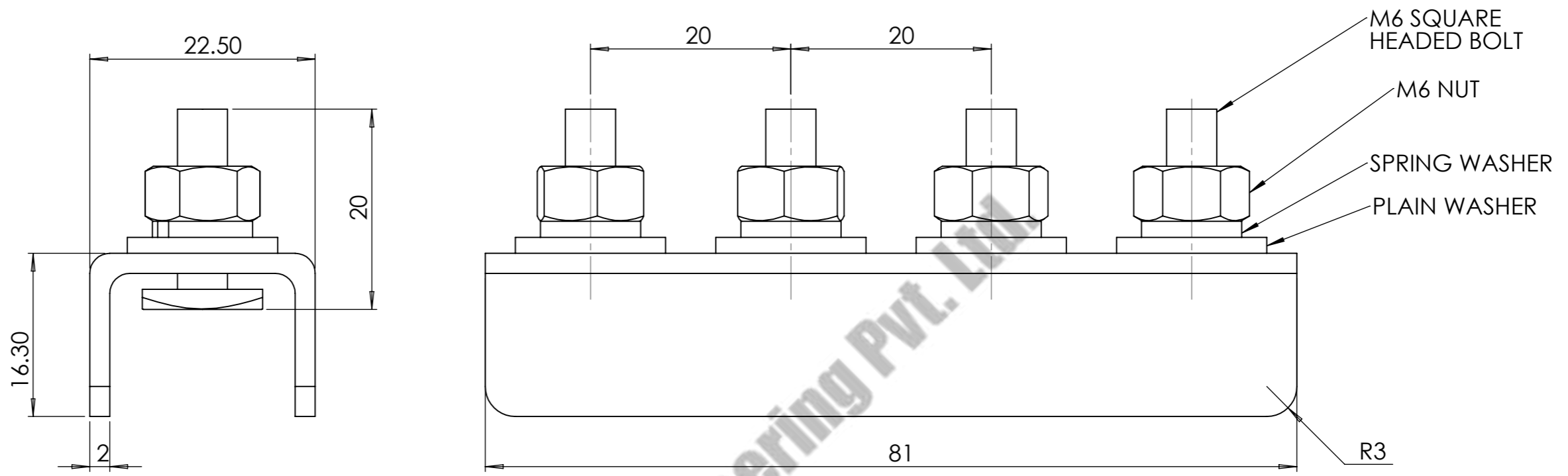
SECTION B-B
SCALE 1 : 1.5


DETAIL A
SCALE 3 : 1

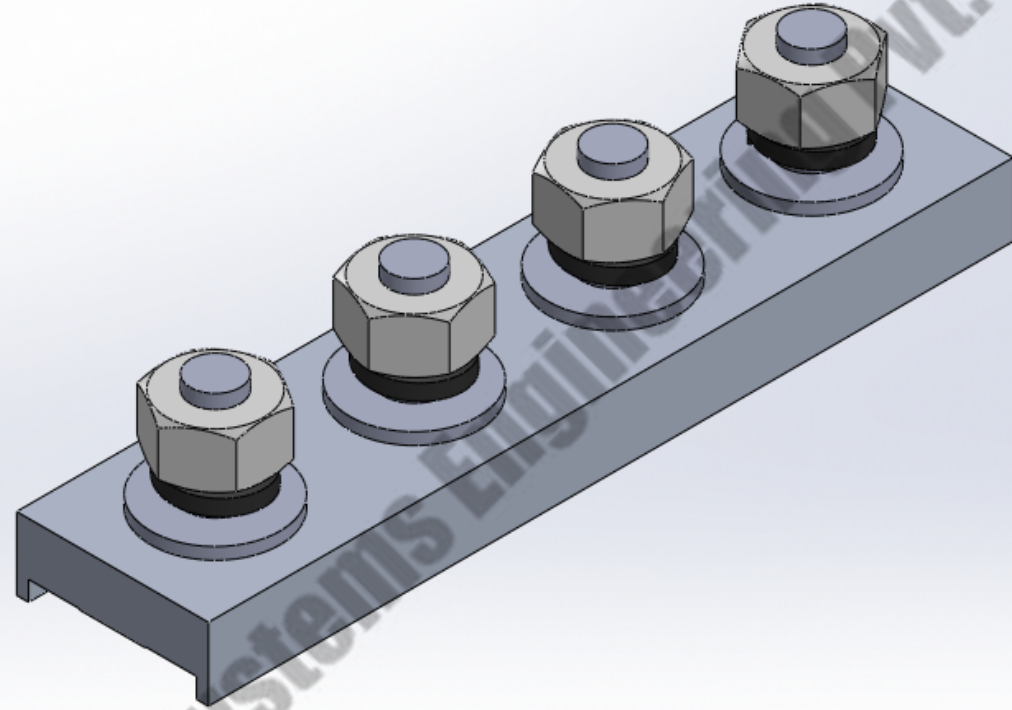


COMPANY NAME:		ANAND SYSTEM ENGINEERING PVT LTD		DO NOT SCALE DRAWING:	REVISION:
		Email id: info@anandcontrol.in CONTACT NO: 9137620579		TITLE: CENTER POWERFEED ASSEMBLY W-TYPE 2D	
FINISH:		DWG NO:		219X105.6X37	
DATE:		SIGNATURE:		A	
DRAWN:	SAURABH	MATERIAL:			
CHK'D:		WEIGHT:			
APP'D:		SCALE:	SHEET: 1 OF 1		
MFG:					

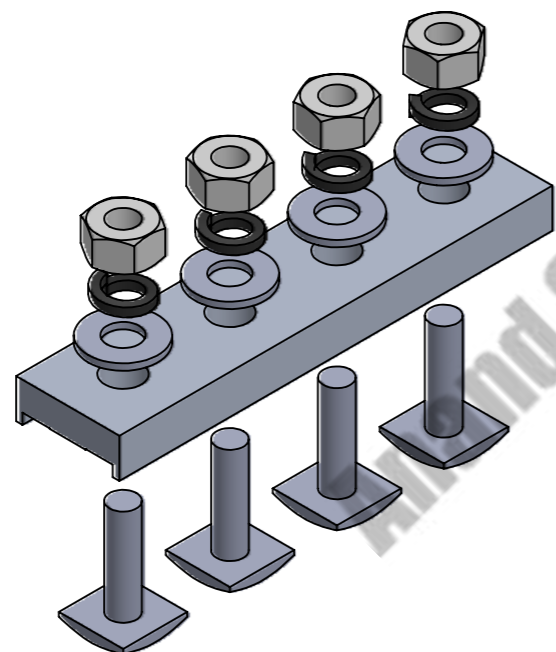
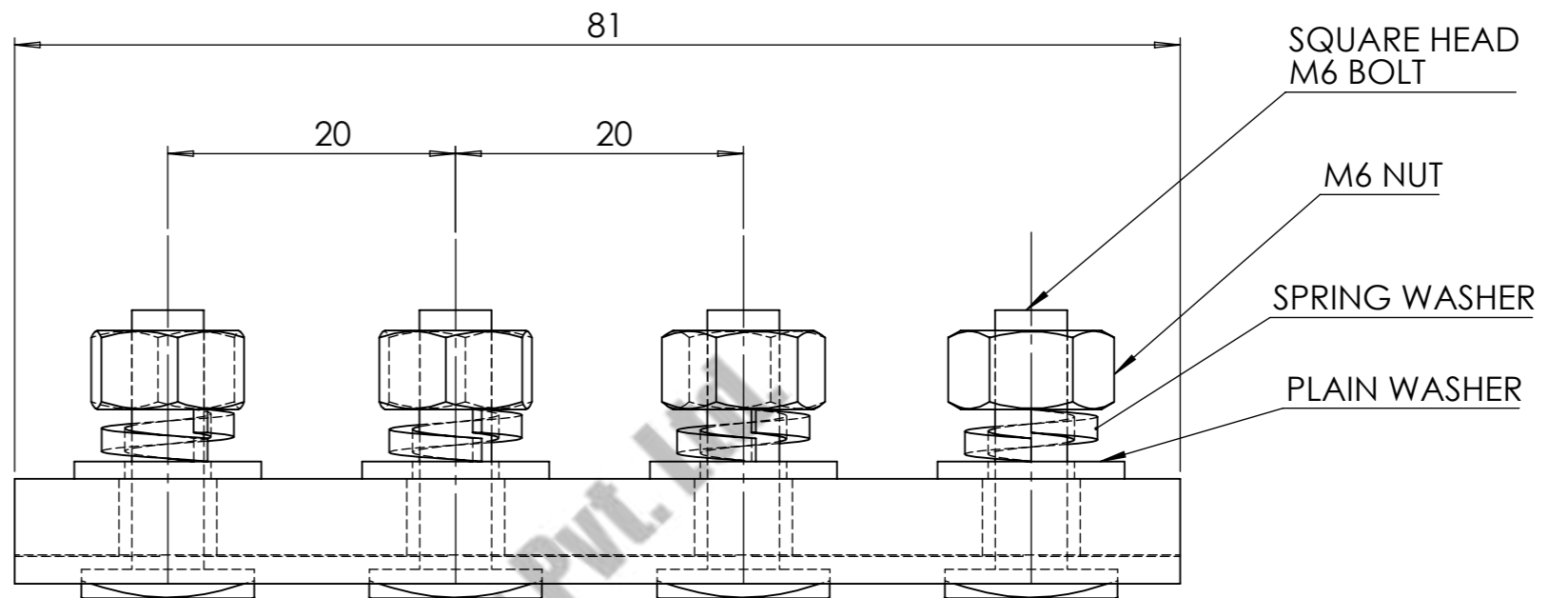
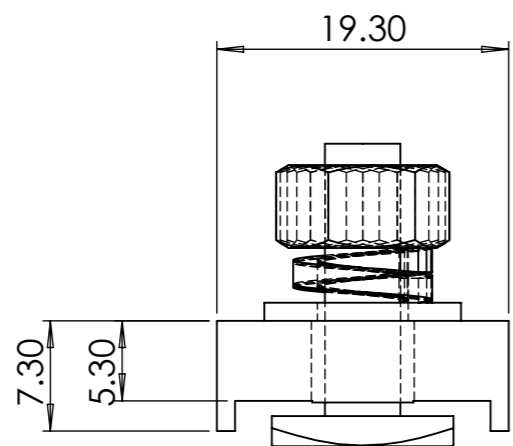





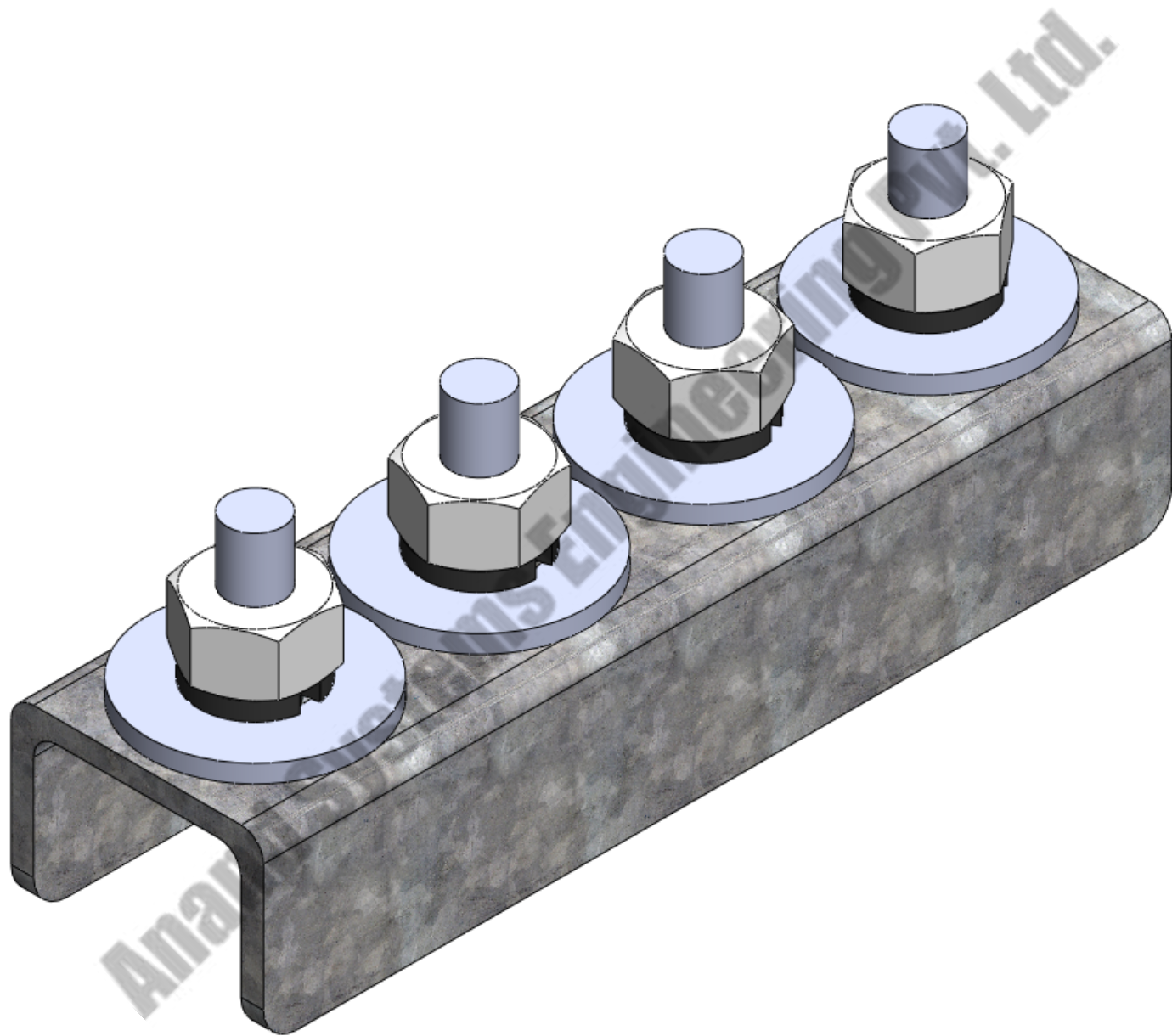
COMPANY NAME:		ANAND SYSTEM ENGINEERING PVT LTD		DO NOT SCALE DRAWING.	REVISION:
		Email id: info@anandcontrol.in CONTACT NO: 9137620579		TITLE:	
				JOINT CLAMP ASSEMBLY CU W TYPE 2D	
FINISH:		DWG NO.		DATE:	
MATERIAL:		SIGNATURE:		A	
DRAWN: SAURABH		WEIGHT:	SCALE:	SHEET: 1 OF 1	

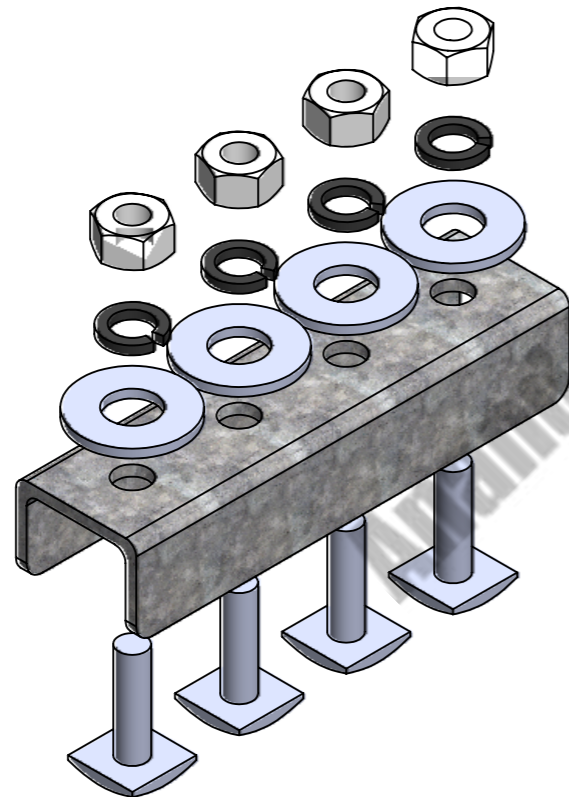
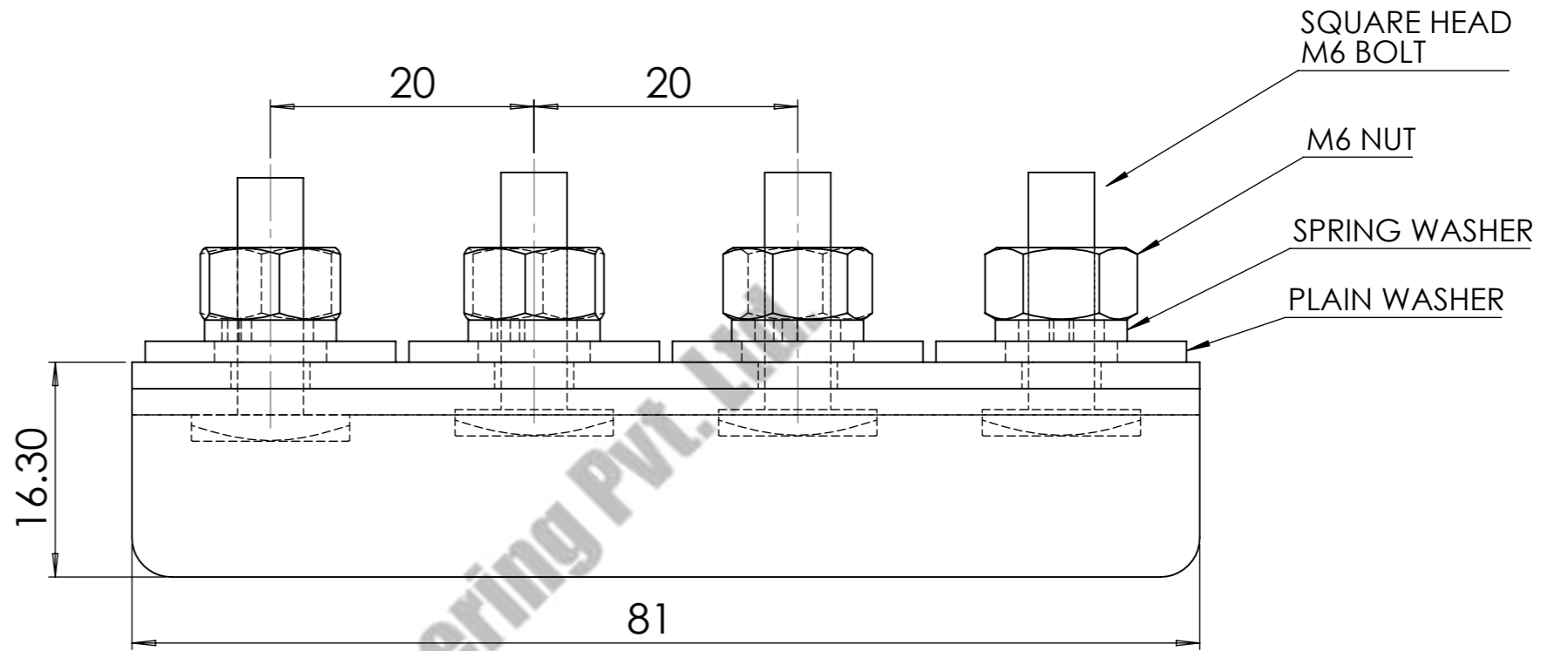
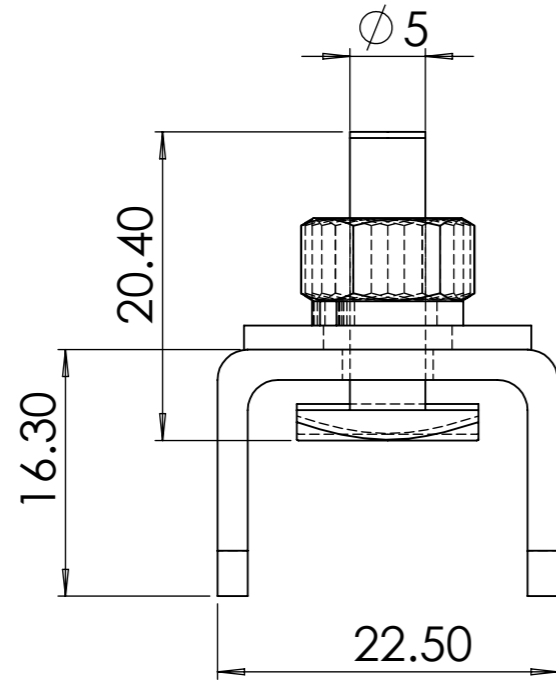



Anand Systems Engineering Pvt. Ltd.

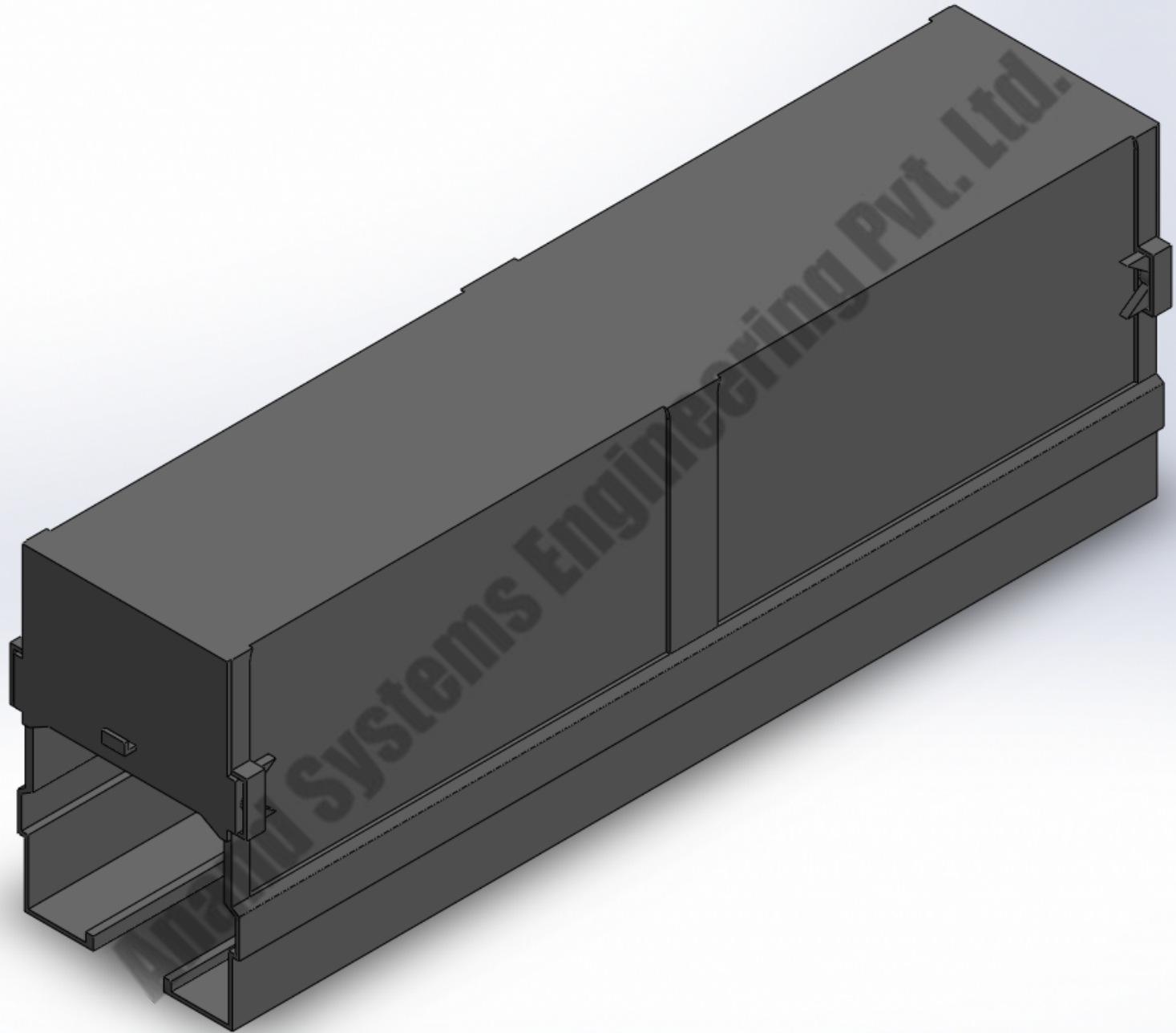


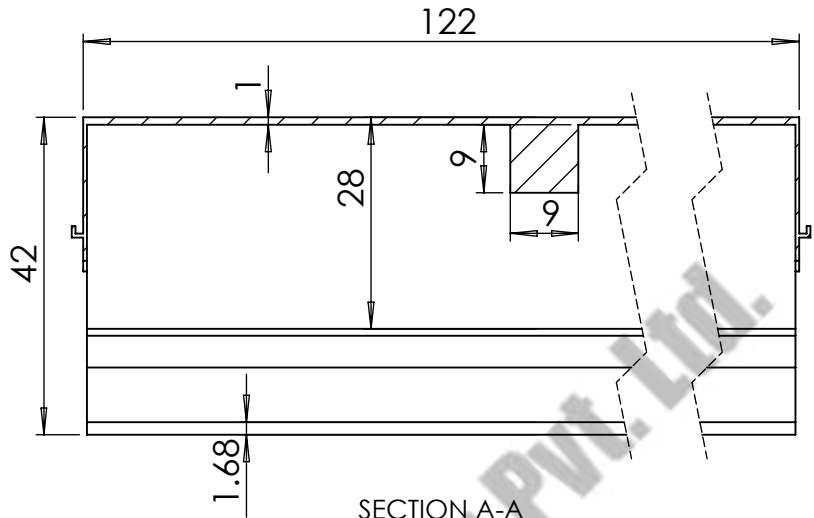
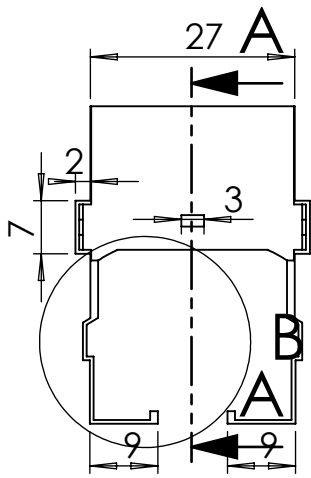
COMPANY NAME:		ANAND SYSTEM ENGINEERING PVT LTD		DO NOT SCALE DRAWING.	REVISION:
		Email id: info@anandcontrol.in CONTACT NO: 9137620579		TITLE: JOINT CLAMP ASSEMBLY W TYPE 2D ALU 1	
FINISH:		MATERIAL:		DWG NO.	
DRAWN: SAURABH		MFG:		DATE:	
CHK'D:		WEIGHT:		SIGNATURE:	
APPY'D:		SCALE:		SHEET: 1 OF 1	



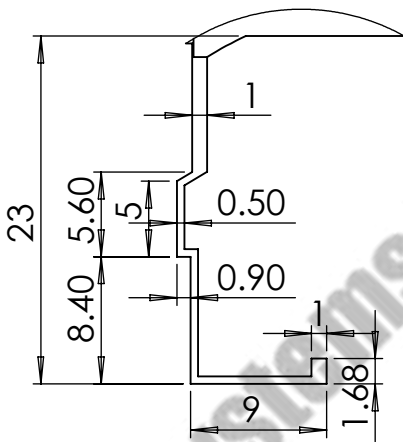


COMPANY NAME:		ANAND SYSTEM ENGINEERING PVT LTD		DO NOT SCALE DRAWING.	REVISION:
		<p>ANAND SYSTEM ENGINEERING PVT LTD</p>		TITLE: JOINT CLAMP ASSEMBLY W TYPE 2D GI	
Email id: info@anandcontrol.in		FINISH:		DWG NO.	
CONTACT NO: 9137620579				DATE:	
DRAWN	SAURABH			SIGNATURE:	
CHK'D					
APPY'D					
MFG				A	
		MATERIAL:		SCALE:	
		WEIGHT:		SHEET: 1 OF 1	

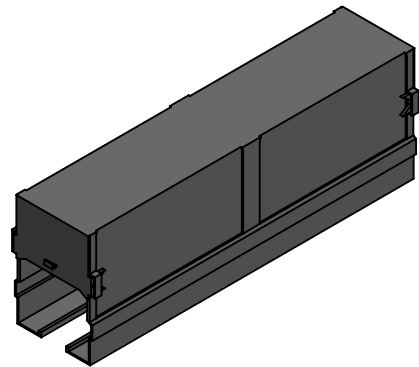




SECTION A-A
SCALE 1 : 1



DETAIL B
SCALE 2 : 1



COMPANY NAME:



**ANAND SYSTEM
ENGINEERING PVT LTD**

DO NOT SCALE DRAWING.

REVISION:

TITLE:

**JOINT COVER
W-TYPE 2D**

Email id: info@anandcontrol.in

CONTACT NO: 9137620579

FINISH:

DWG NO.

DATE:

SIGNATURE:

DRAWN	SAURABH
CHK'D	
APP'D	
MFG	

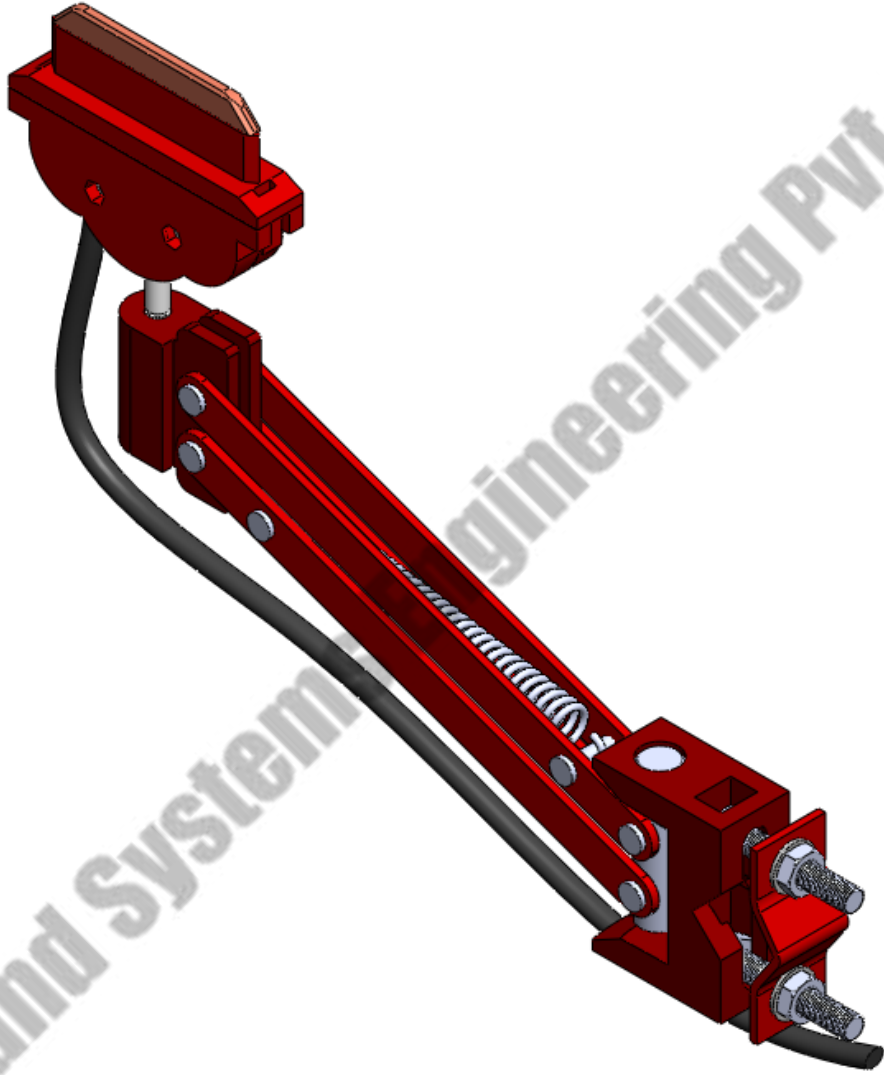
MATERIAL:

WEIGHT:

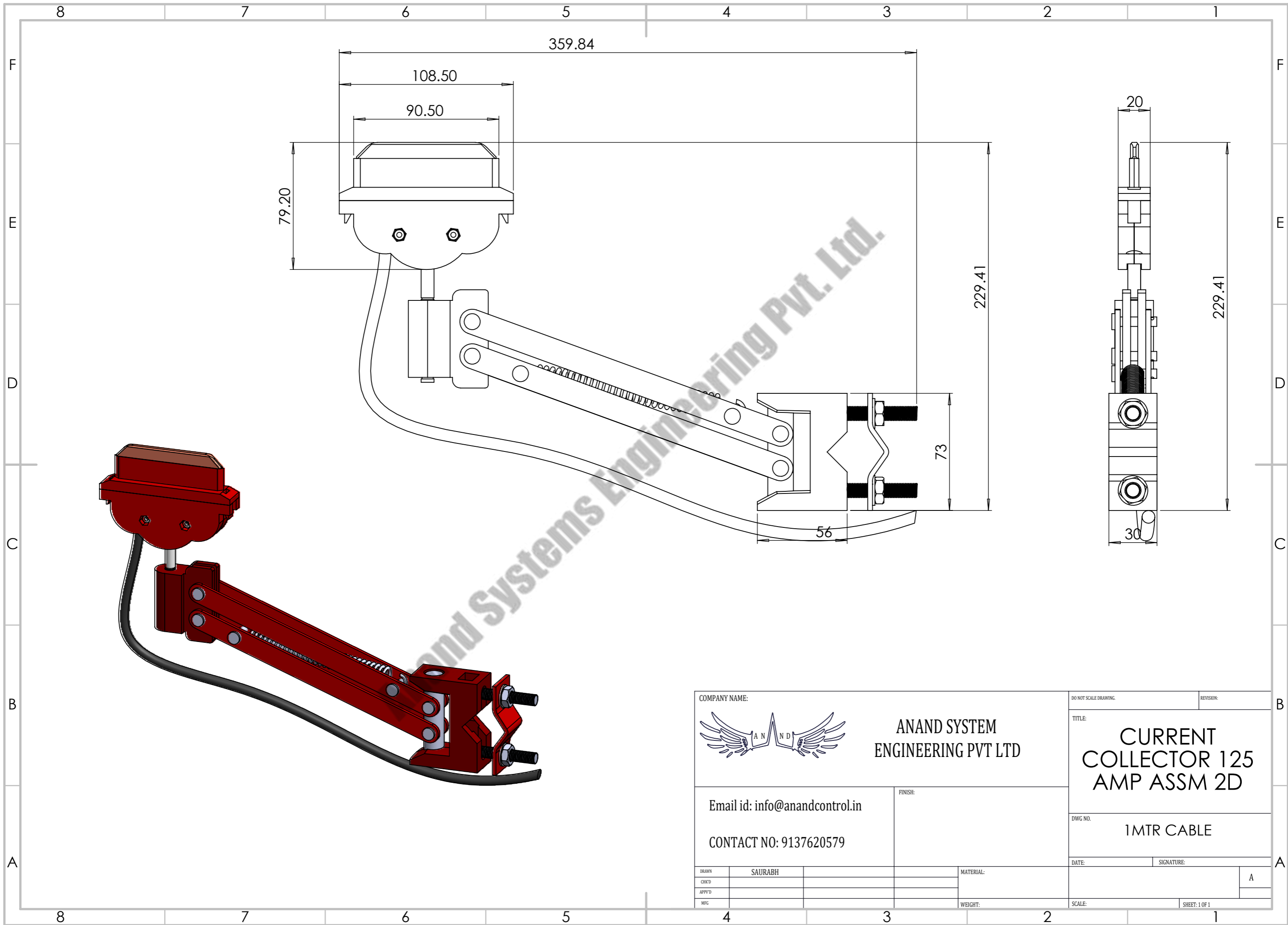
SCALE:

SHEET: 1 OF 1


A

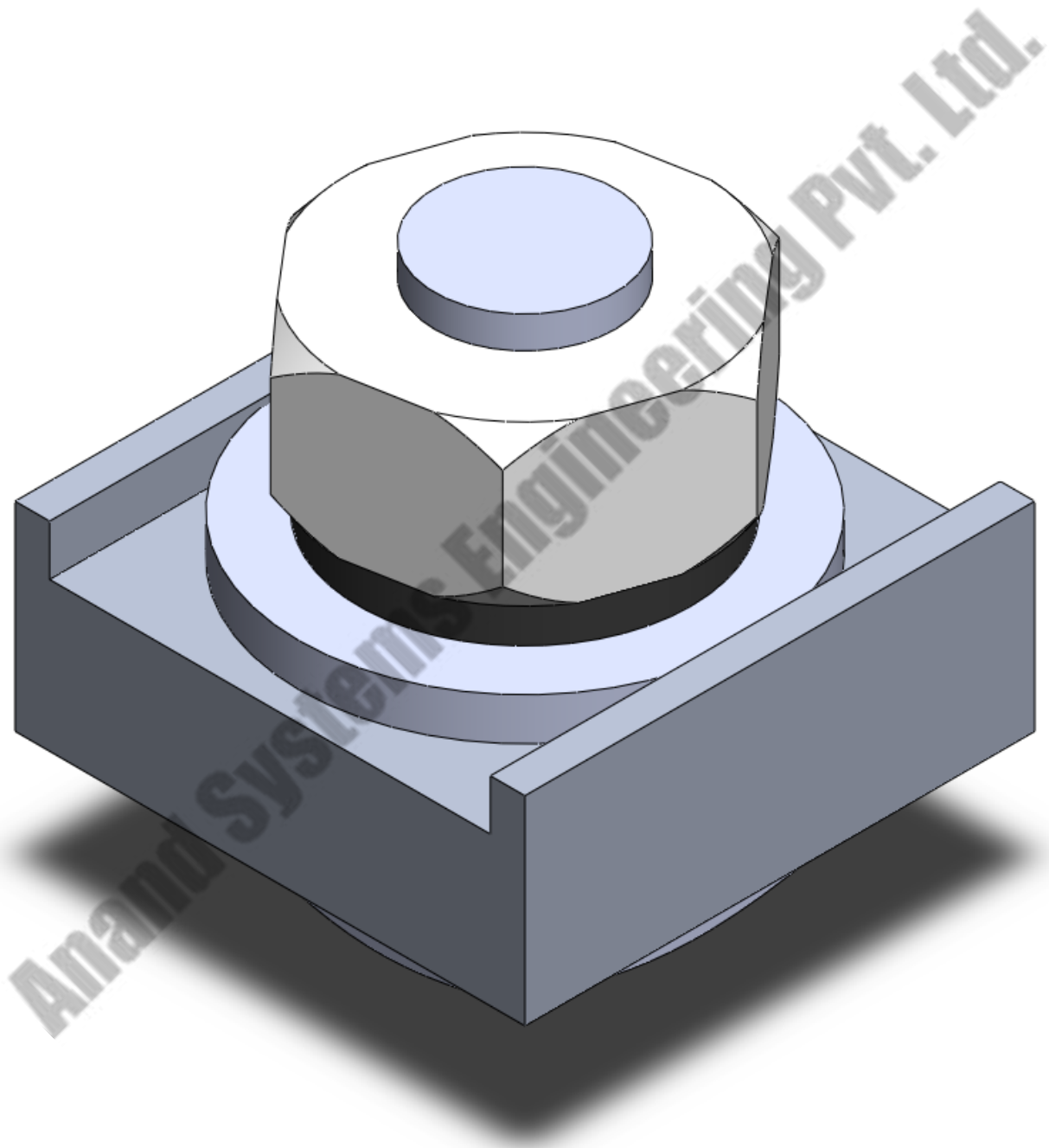


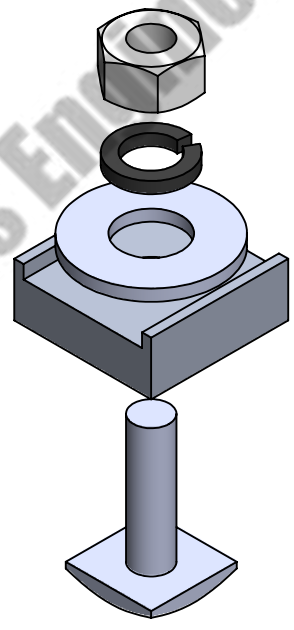
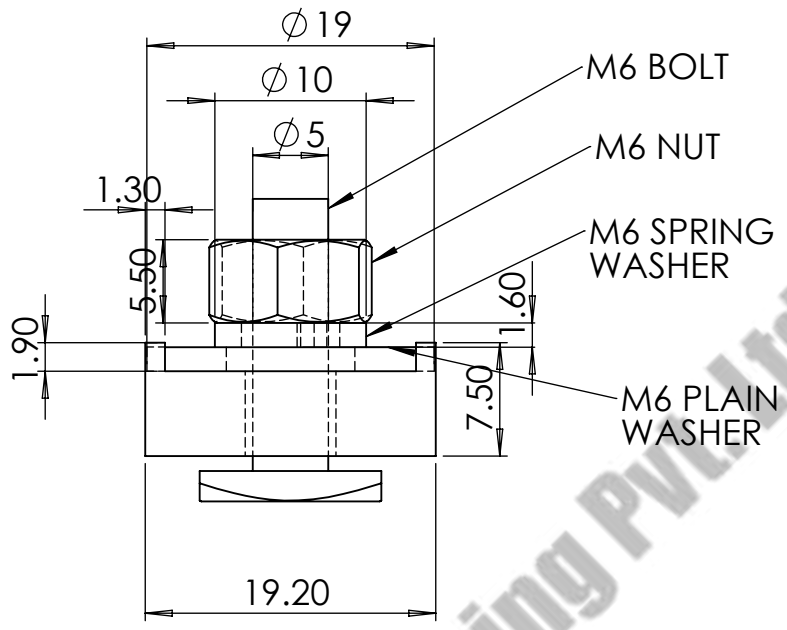
Anand System Engineering Pvt. Ltd.



Anand Systems Engineering Pvt. Ltd.

COMPANY NAME:		ANAND SYSTEM ENGINEERING PVT LTD		DO NOT SCALE DRAWING.	REVISION:
		Email id: info@anandcontrol.in CONTACT NO: 9137620579		TITLE:	
				CURRENT COLLECTOR 125 AMP ASSM 2D	
DRAWN: SAURABH CHK'D: APPY'D: MFC:		FINISH: MATERIAL: WEIGHT:		DWG NO.	
				1MTR CABLE	
				DATE:	SIGNATURE:
				SCALE:	SHEET: 1 OF 1





COMPANY NAME:



**ANAND SYSTEM
ENGINEERING PVT LTD**

DO NOT SCALE DRAWING.

REVISION:

TITLE:

**END CLAMP
ASSEMBLY W
TYPE 2D**

Email id: info@anandcontrol.in

CONTACT NO: 9137620579

FINISH:

DWG NO.

DATE:

SIGNATURE:

DRAWN	SAURABH
CHK'D	
APP'D	
MFG	

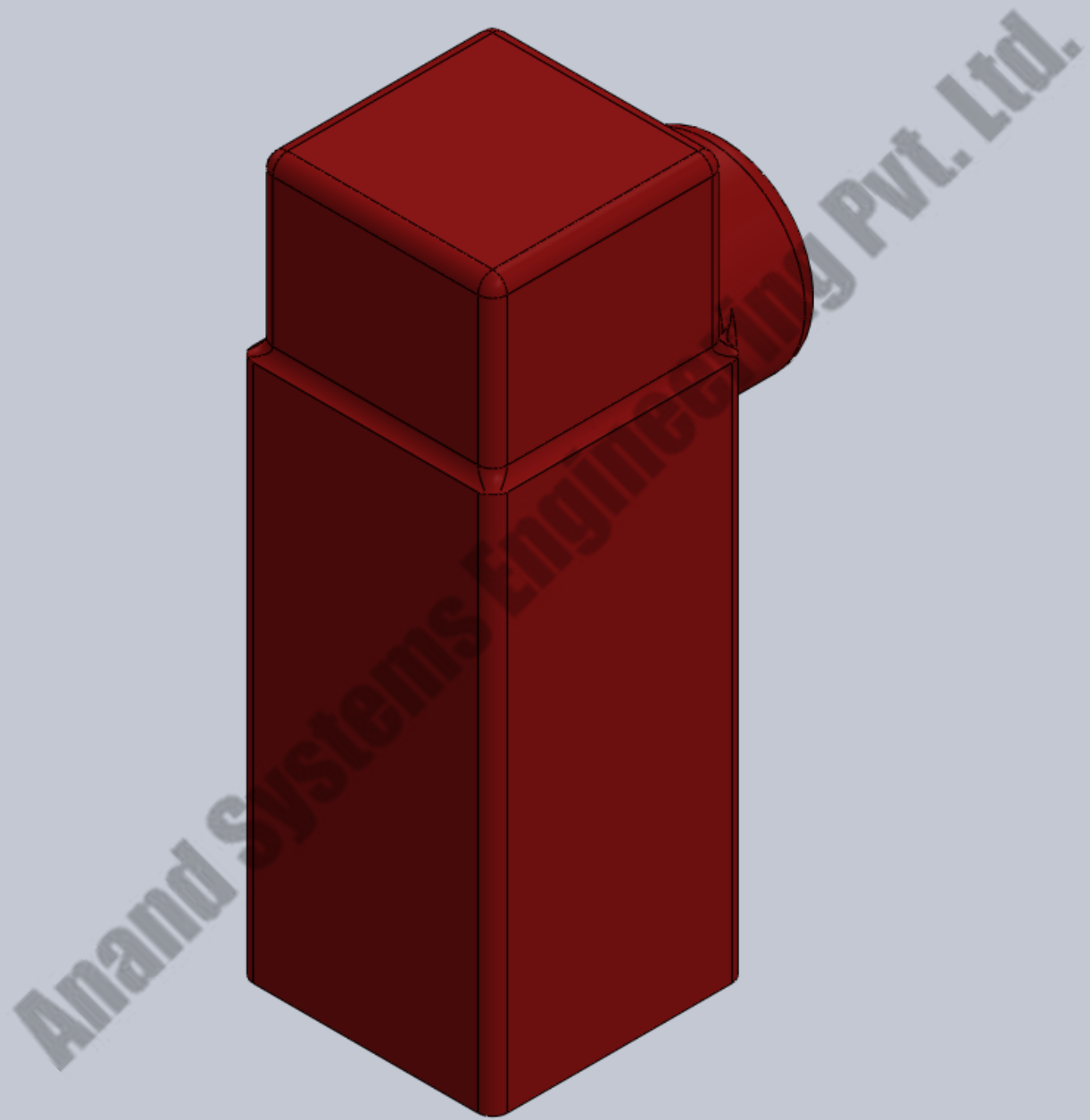
MATERIAL:

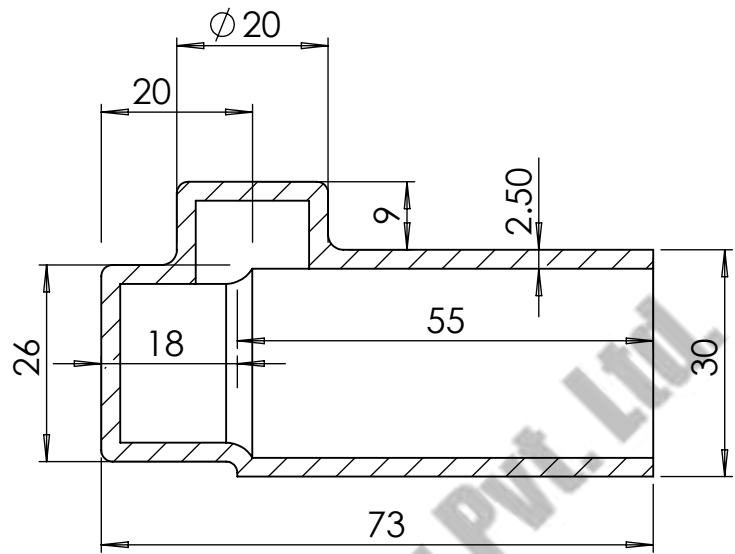
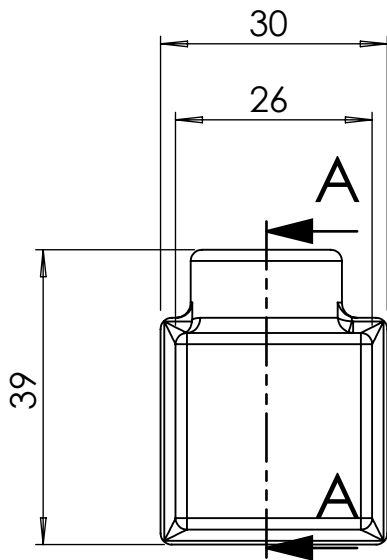
WEIGHT:

SCALE:

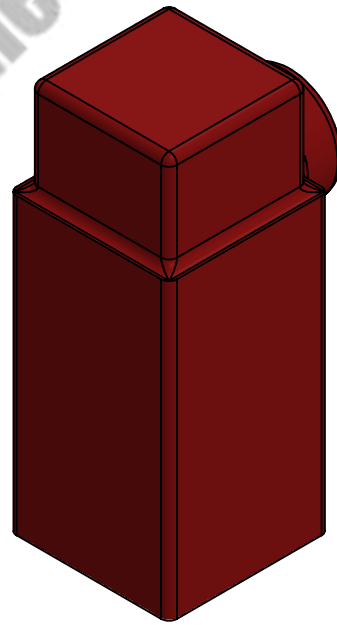
SHEET: 1 OF 1

A





SECTION A-A



COMPANY NAME:



ANAND SYSTEM
ENGINEERING PVT LTD

DO NOT SCALE DRAWING.

REVISION:

TITLE:

END COVER
W TYPE 2D

Email id: info@anandcontrol.in

CONTACT NO: 9137620579

FINISH:

DWG NO.

DATE:

SIGNATURE:

DRAWN	SAURABH
CHK'D	
APP'D	
MFG	

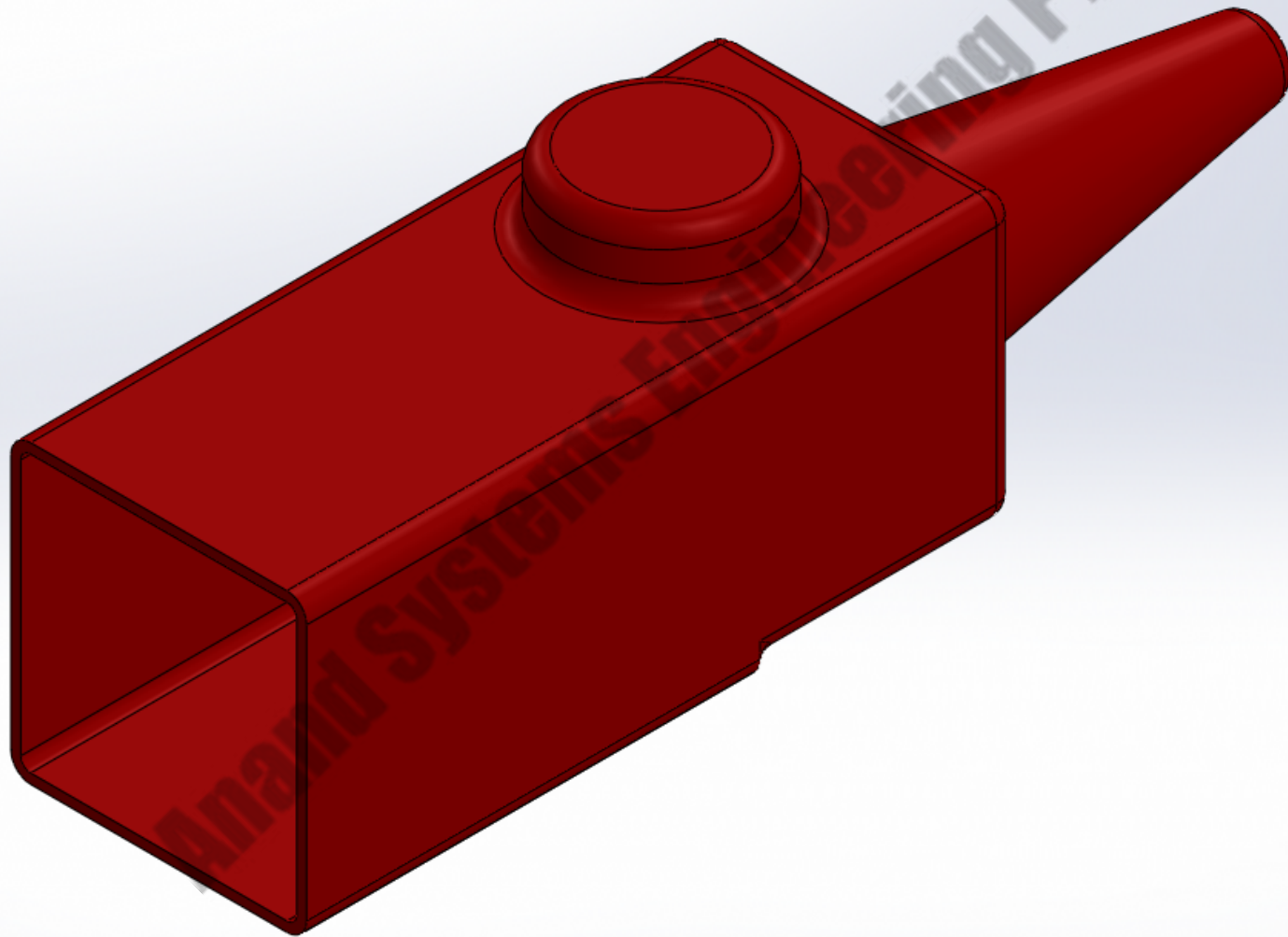
MATERIAL:

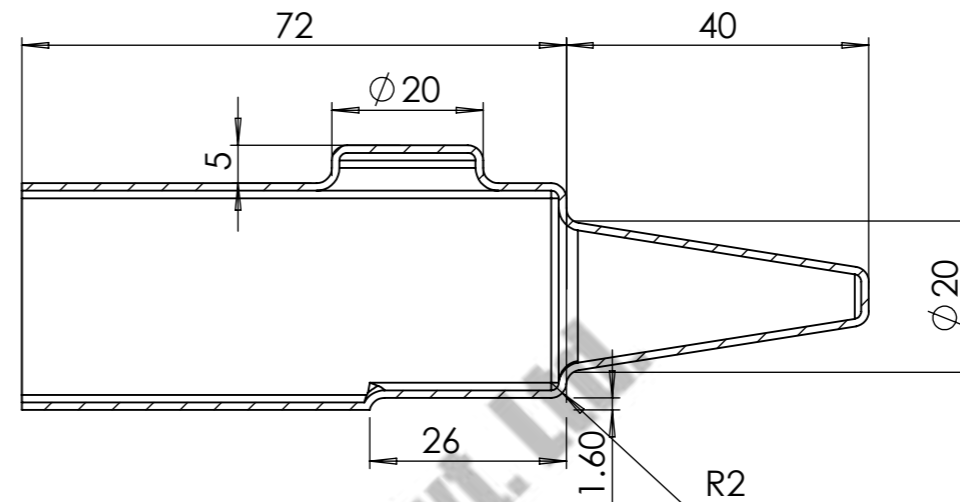
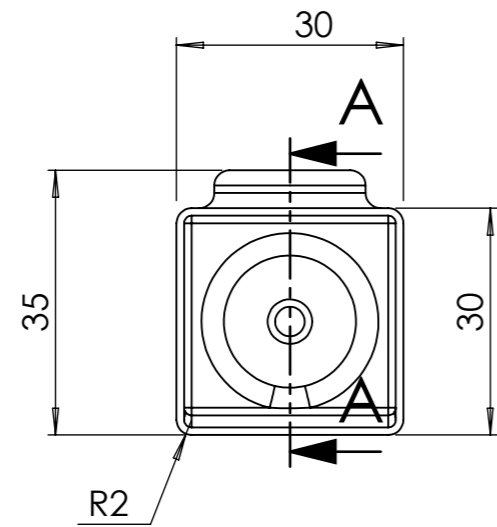
WEIGHT:

SCALE:

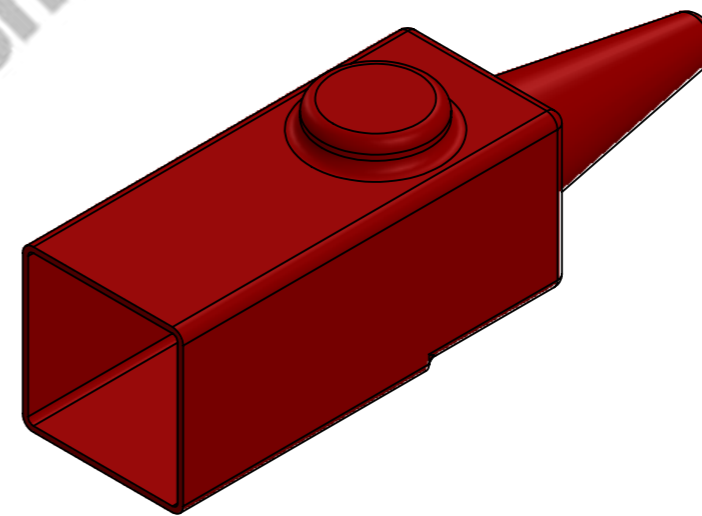
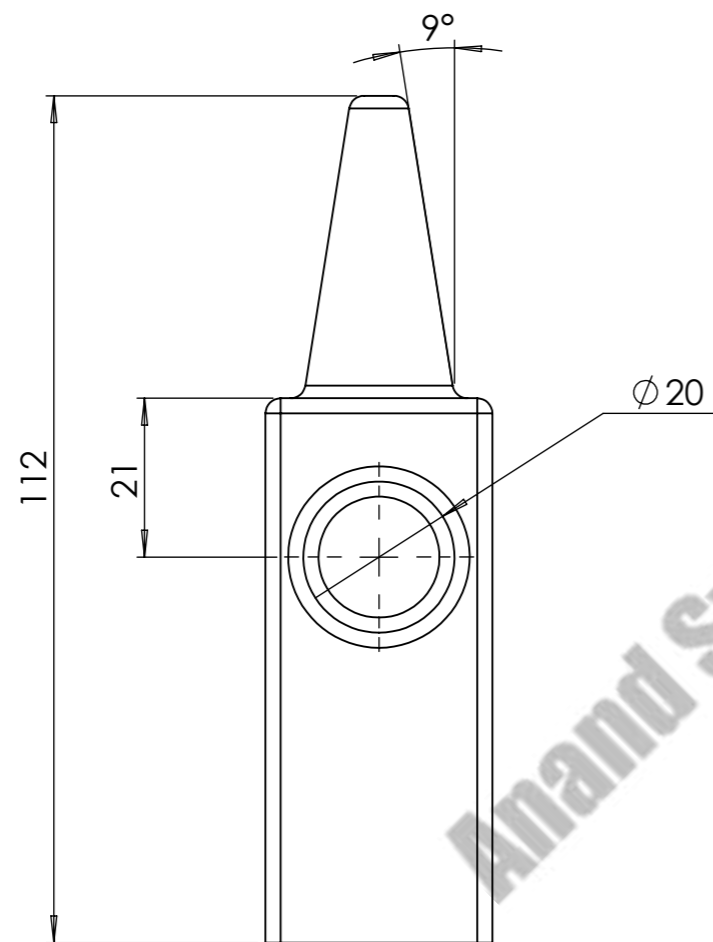
SHEET: 1 OF 1

A





SECTION A-A



COMPANY NAME:



**ANAND SYSTEM
ENGINEERING PVT LTD**

Email id: info@anandcontrol.in

CONTACT NO: 9137620579

FINISH:

DO NOT SCALE DRAWING.

REVISION:

TITLE:

**END POWER FEED
W-TYPE 2D**

DWG NO.

DATE:

SIGNATURE:

DRAWN
CHK'D
APPV'D
MFG

SAURABH

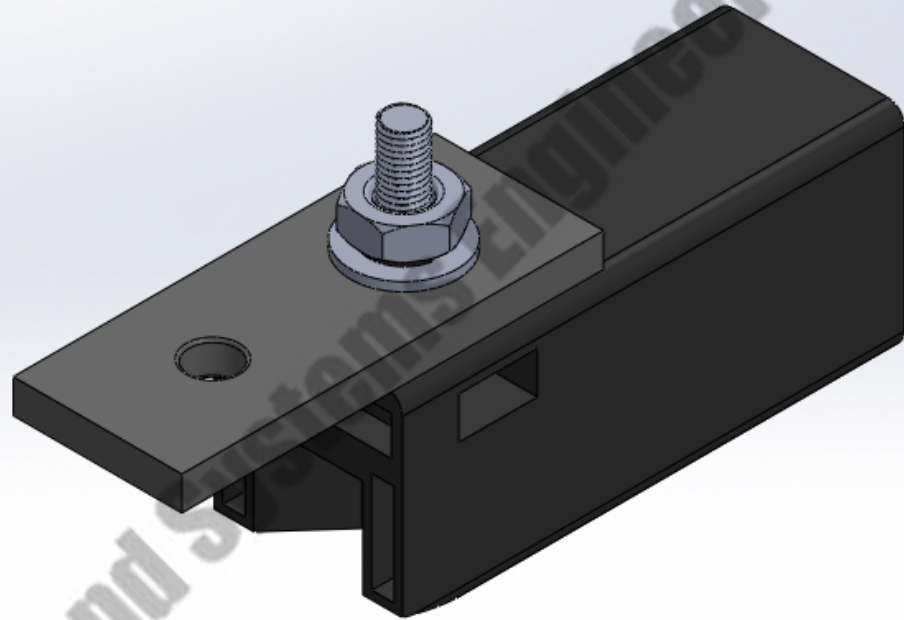
MATERIAL:

WEIGHT:

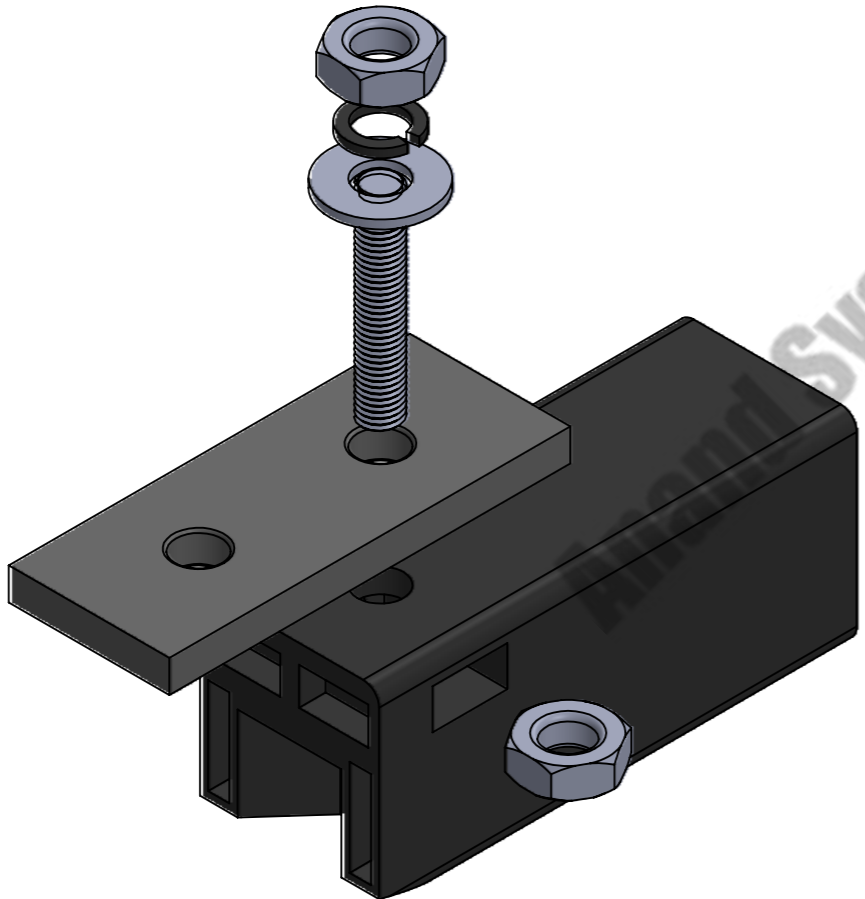
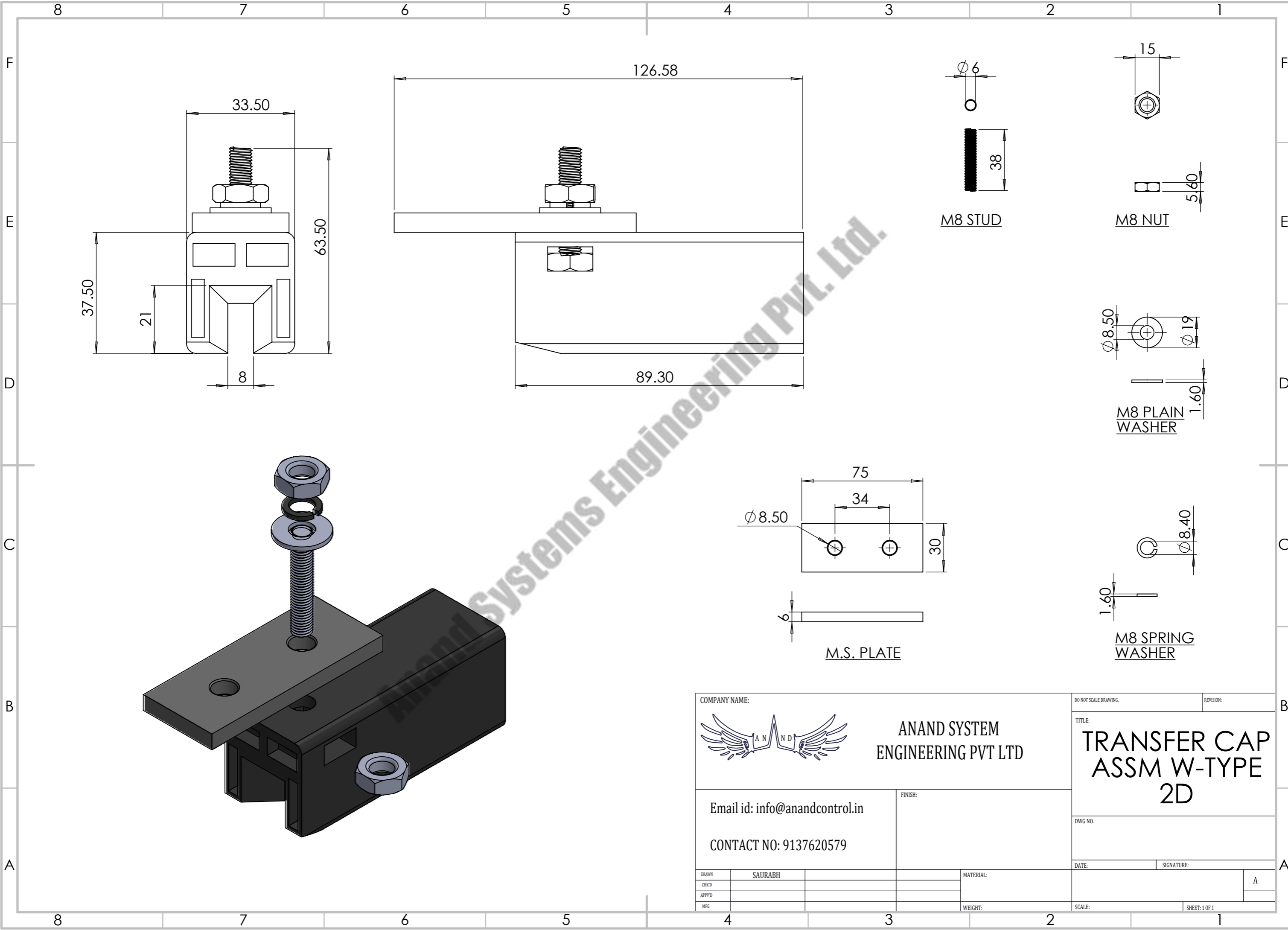
SCALE:


SHEET: 1 OF 1

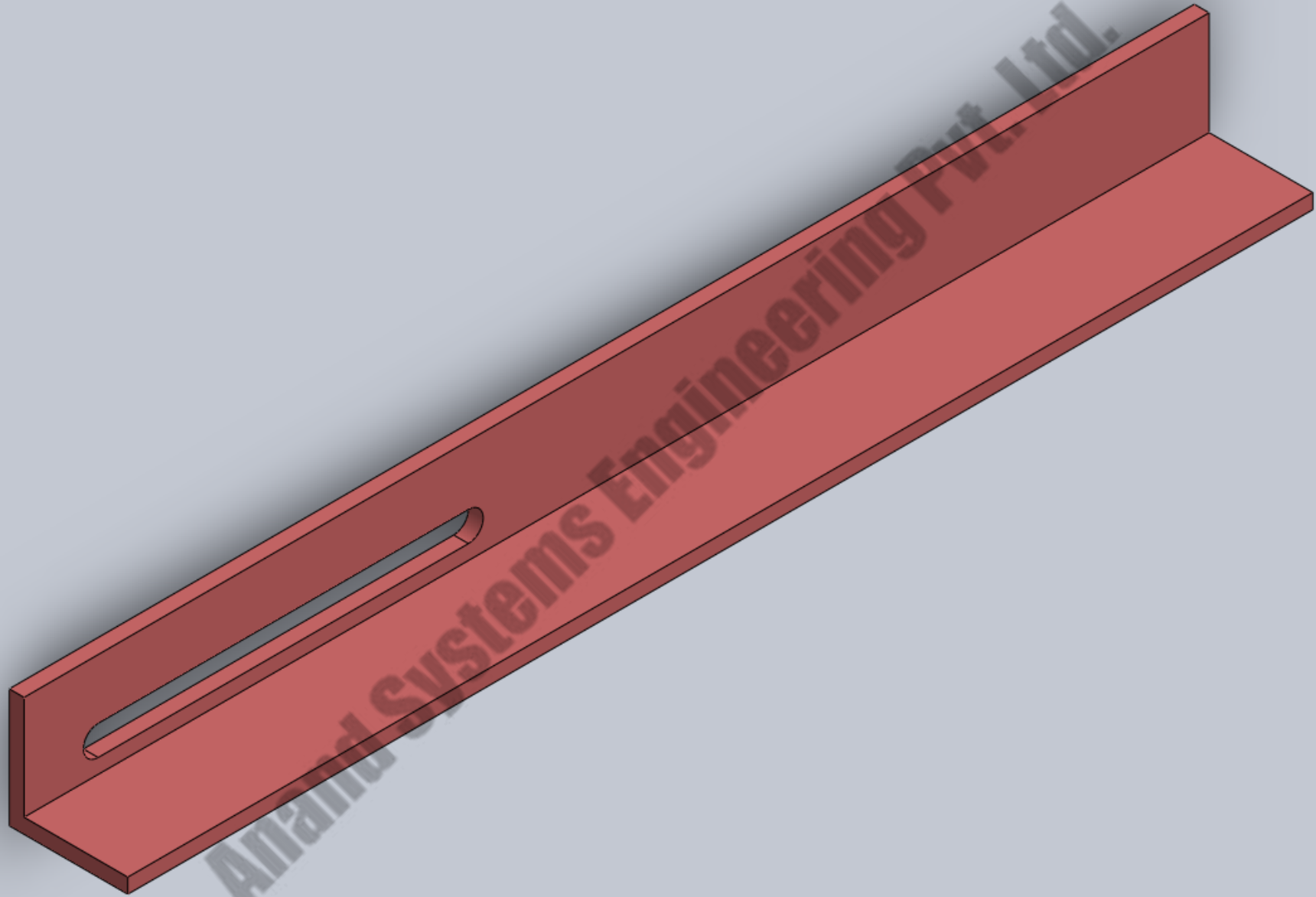
A

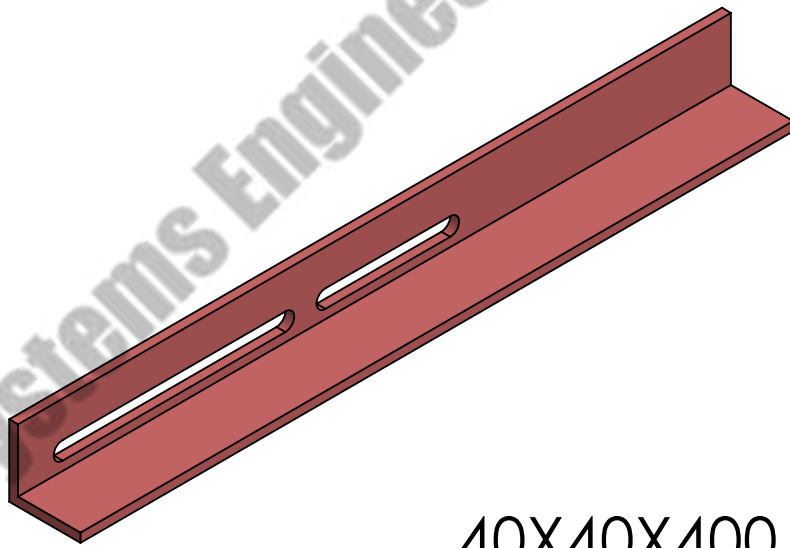
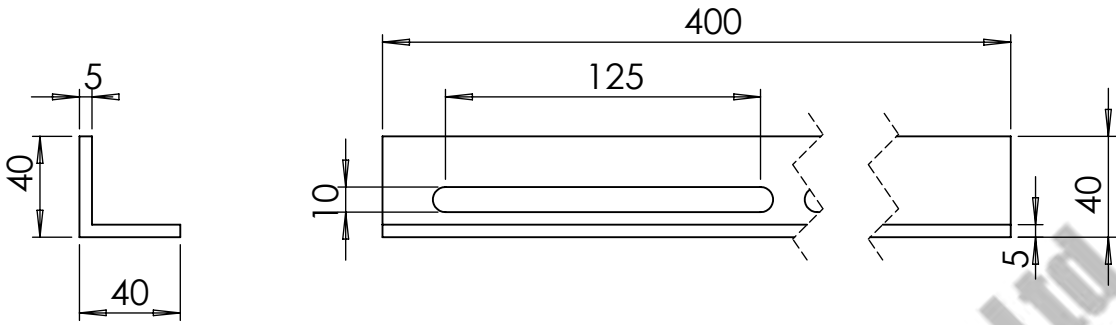


Anand Systems Engineering Pvt. Ltd.



COMPANY NAME:		ANAND SYSTEM ENGINEERING PVT LTD		DO NOT SCALE DRAWING.	REVISION:
		Email id: info@anandcontrol.in CONTACT NO: 9137620579		TITLE: TRANSFER CAP ASSM W-TYPE 2D	
FINISH:		MATERIAL:		DWG NO.	
DATE:		SIGNATURE:		A	
DRAWN	SAURABH			SCALE:	
CHK'D				SHEET: 1 OF 1	
APP'D					
MFG					





40X40X400, THK-5
MM

COMPANY NAME:



ANAND SYSTEM
ENGINEERING PVT LTD

DO NOT SCALE DRAWING.

REVISION:

TITLE:

Web-Bracket
400 W TYPE 2D

Email id: info@anandcontrol.in

CONTACT NO: 9137620579

FINISH:

DWG NO.

DATE:

SIGNATURE:

DRAWN	SAURABH
CHK'D	
APP'D	
MFG	

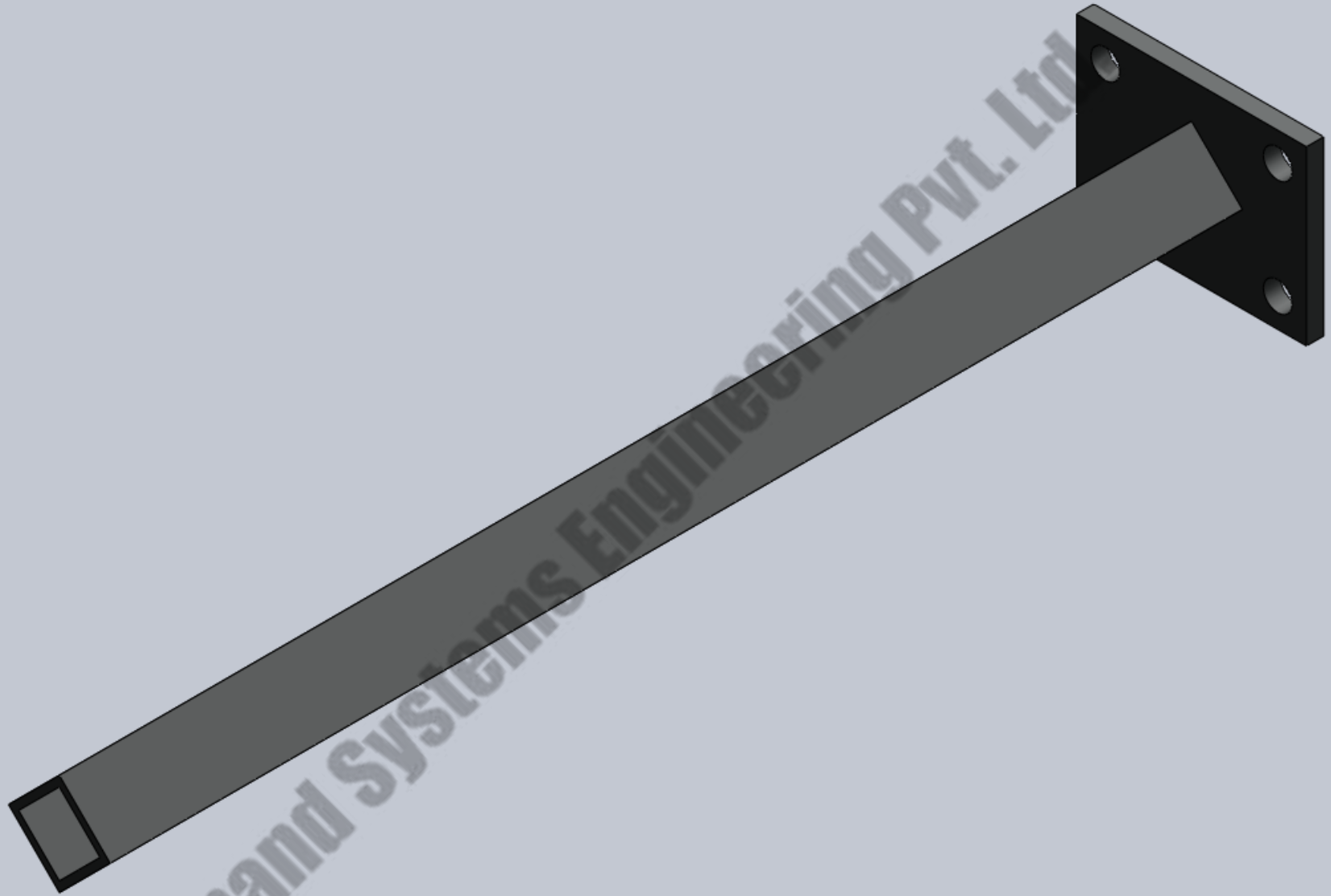
MATERIAL:

WEIGHT:

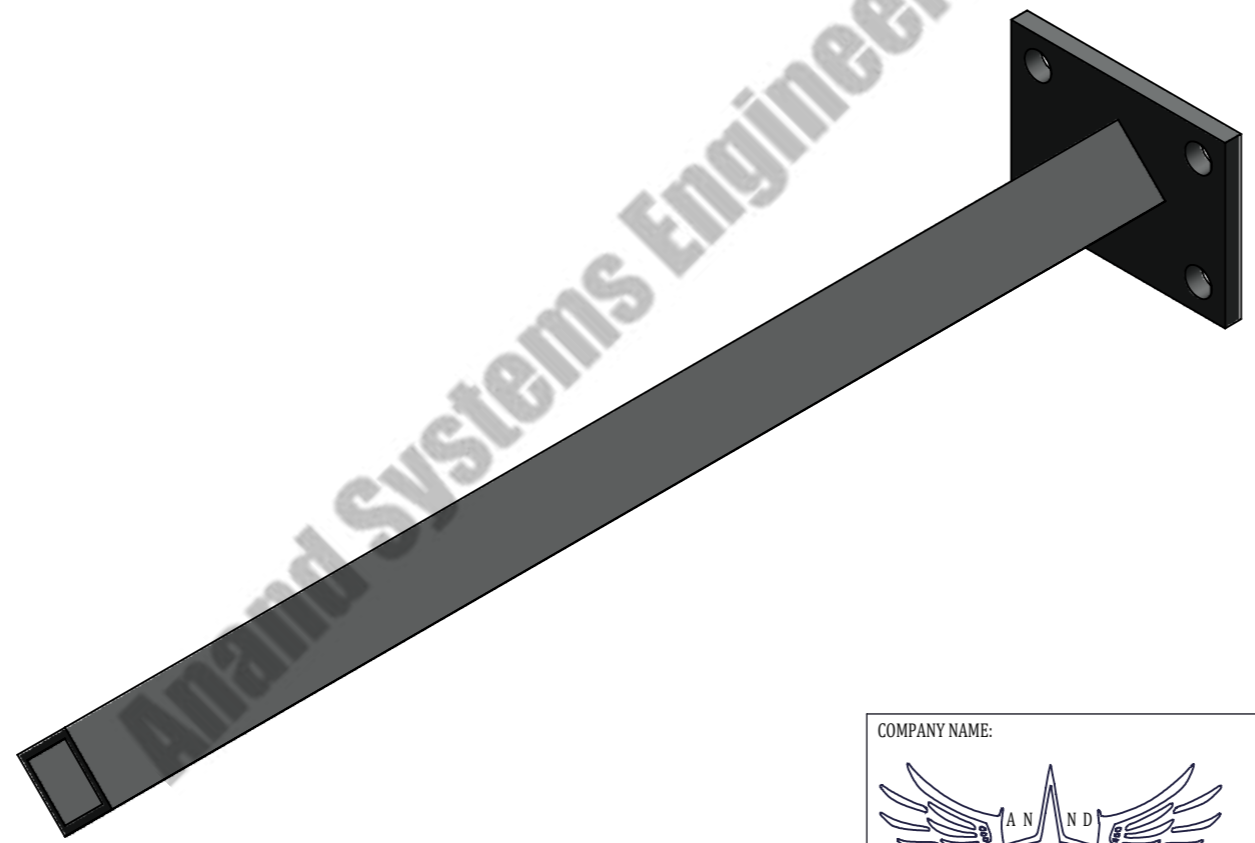
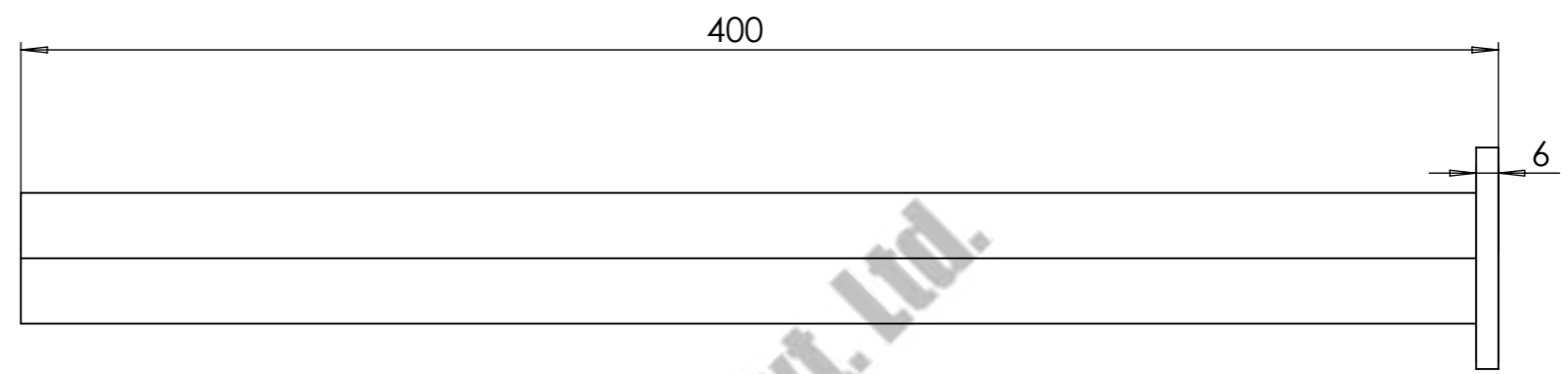
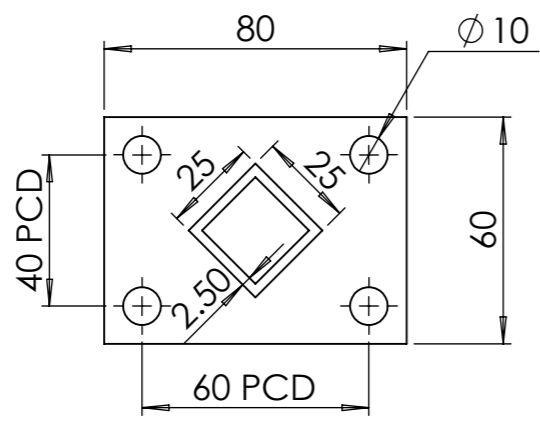
SCALE:


SHEET: 1 OF 1

A



Anand Systems Engineering Pvt. Ltd.



COMPANY NAME:		ANAND SYSTEM ENGINEERING PVT LTD		DO NOT SCALE DRAWING.	REVISION:
		<p>Email id: info@anandcontrol.in</p> <p>CONTACT NO: 9137620579</p>		<p>TITLE:</p> <h1>C.C-Bracket 100 AMP</h1>	
FINISH:		DATE:		SIGNATURE:	
DRAWN	SAURABH	MATERIAL:	A		
CHK'D					
APP'VD					
MFG		WEIGHT:	SCALE:	SHEET: 1 OF 1	