

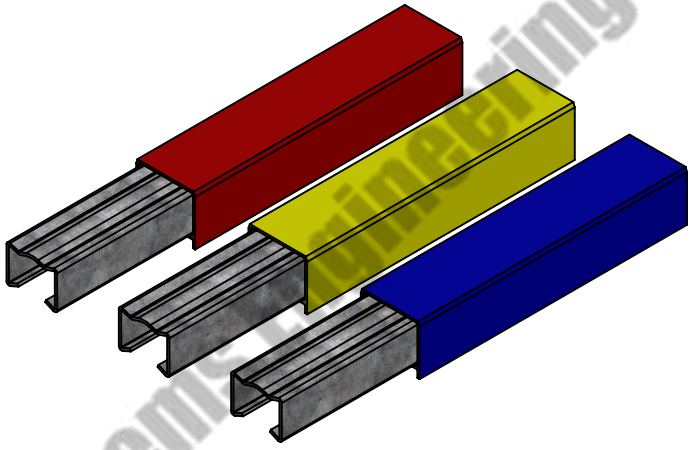
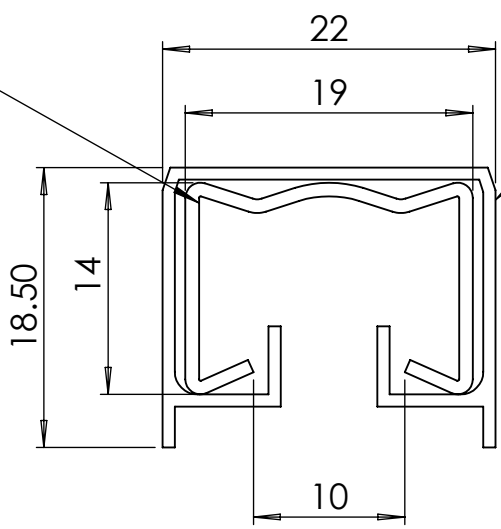
4 3 2 1

F

F

GALVANISED

PVC SLEEVE



100AMP- GI- 03 BAR
 PIN TYPE (M)
 RED YELLOW BLUE
 COLOUR PVC

Anand System Engineering Pvt. Ltd.

B

B

COMPANY NAME:



ANAND SYSTEM
 ENGINEERING PVT LTD

DO NOT SCALE DRAWING.

REVISION:

TITLE:

SAFELINK 100Amp
 RYB GI M-TYPE 2D

Email id: info@anandcontrol.in

CONTACT NO: 9137620579

FINISH:

DWG NO.

DATE:

SIGNATURE:

A

A

DRAWN	SAURABH
CHK'D	
APP'D	
MFG	

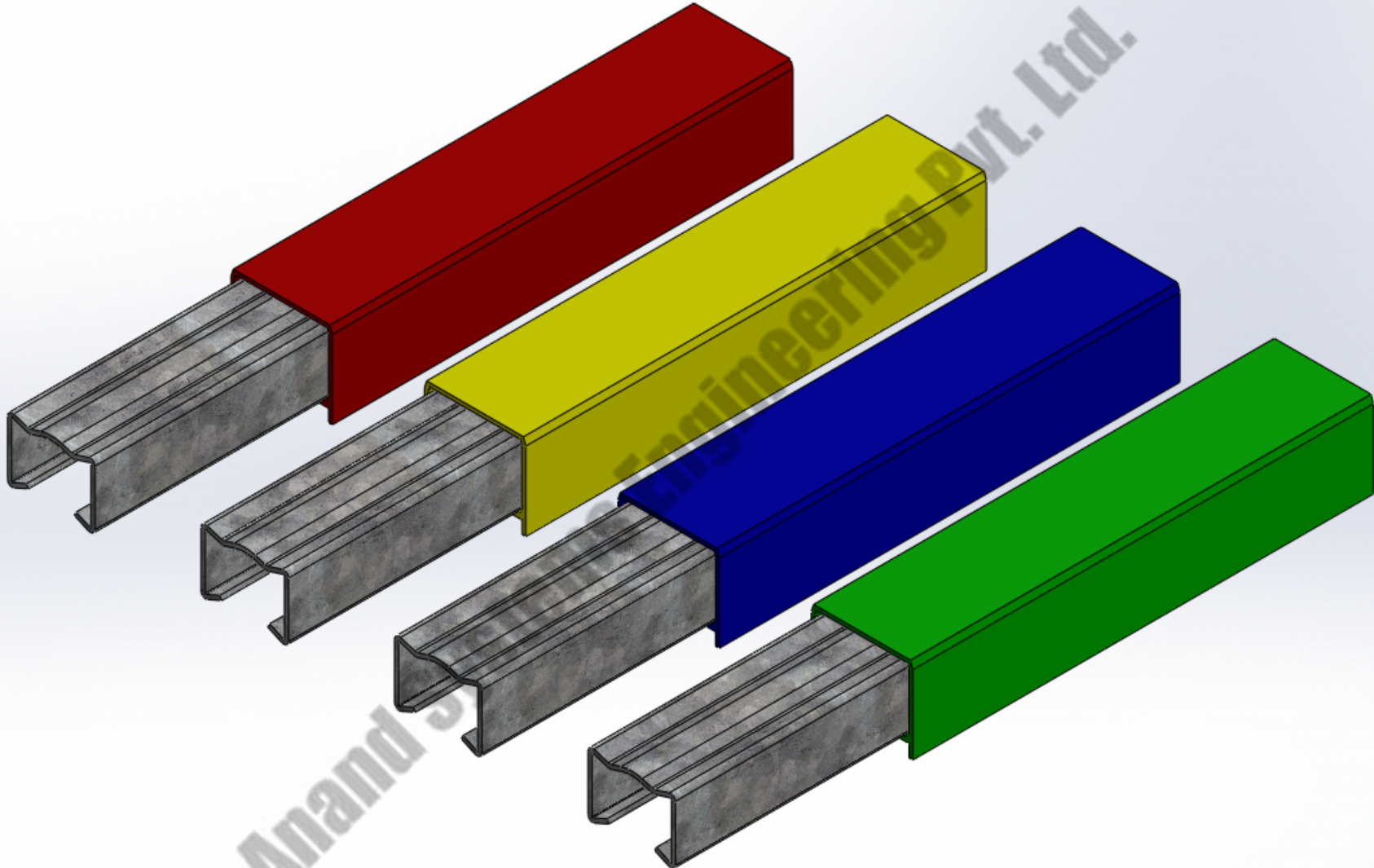
MATERIAL:

WEIGHT:

SCALE:

SHEET: 1 OF 1

4 3 2 1



4

3

2

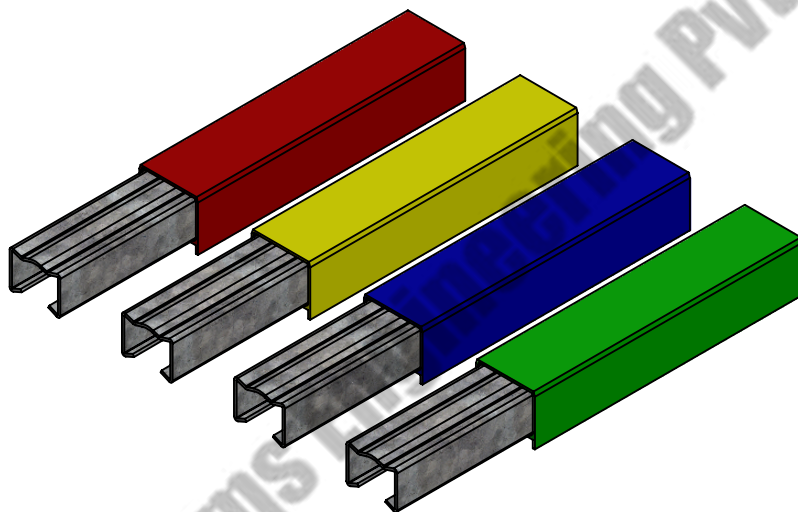
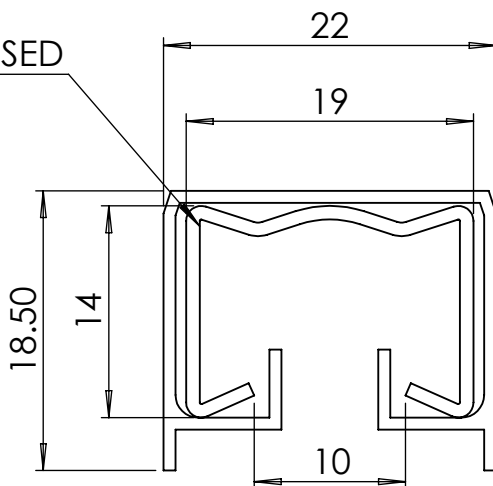
1

F

F

GALVANISED

PVC SLEEVE



100AMP- GI- 04 BAR PIN
TYPE (M)
RED YELLOW BLUE GREEN
COLOUR PVC

COMPANY NAME:



ANAND SYSTEM
ENGINEERING PVT LTD

DO NOT SCALE DRAWING.

REVISION:

TITLE:

SAFELINK 100Amp
RYBG GI M-TYPE
2D

Email id: info@anandcontrol.in

CONTACT NO: 9137620579

FINISH:

DWG NO.

DATE:

SIGNATURE:

DRAWN	SAURABH
CHK'D	
APP'D	
MFG	

MATERIAL:

WEIGHT:

SCALE:

SHEET: 1 OF 1

A

4

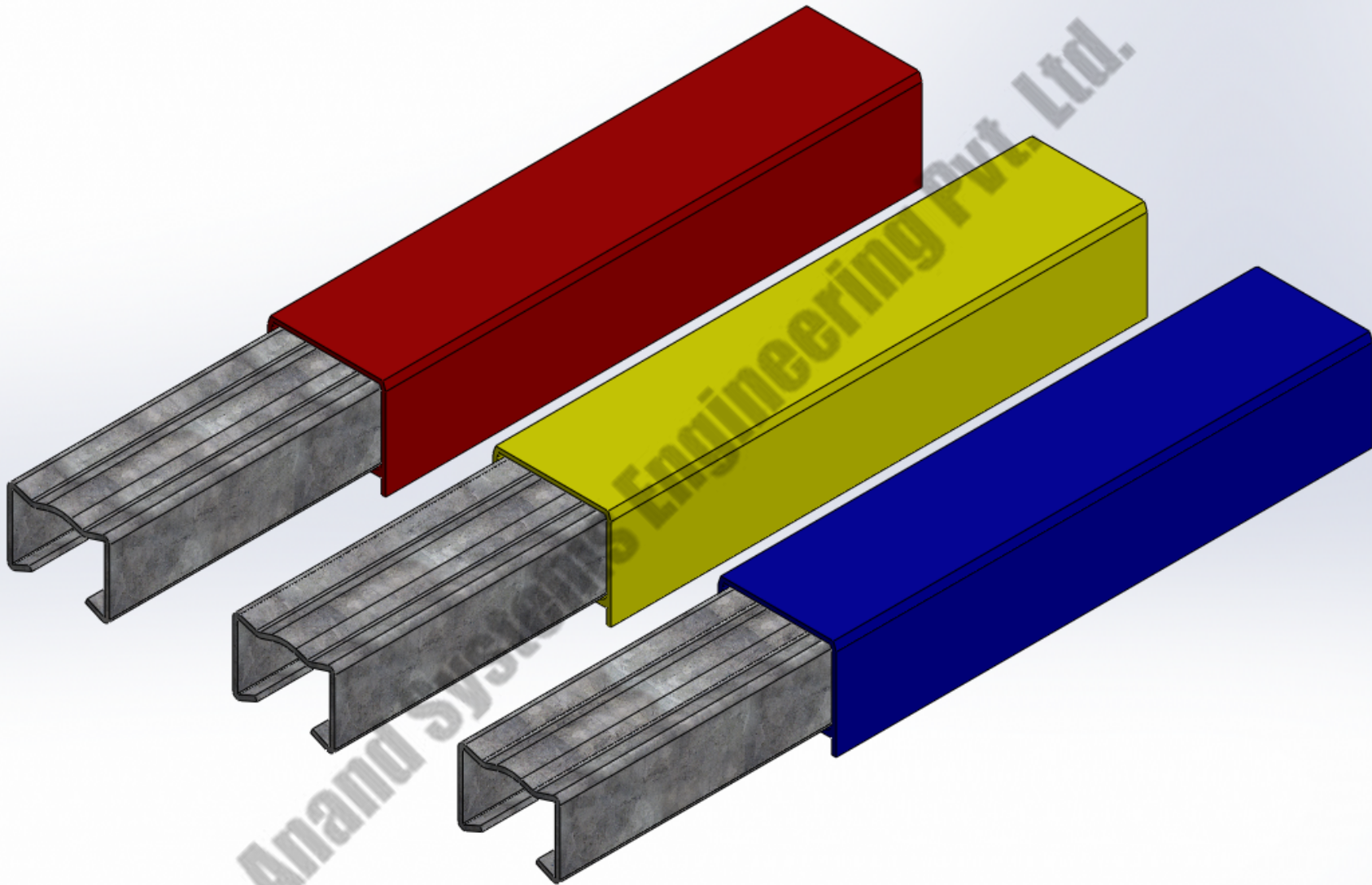
3

2

1

A

A



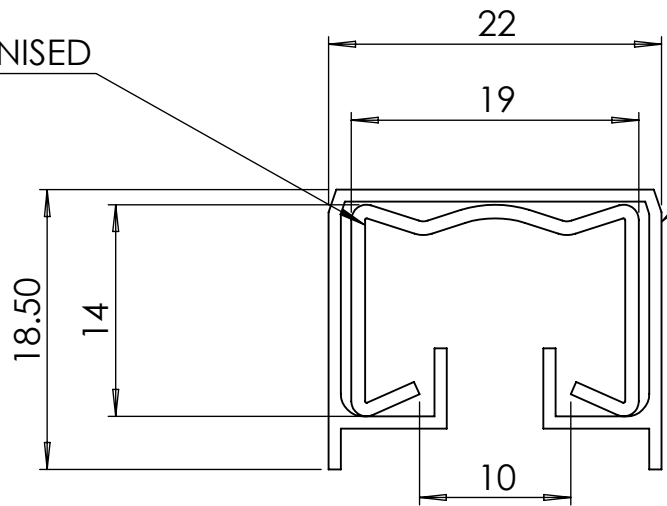
4 3 2 1

F

F

GALVANISED

PVC SLEEVE

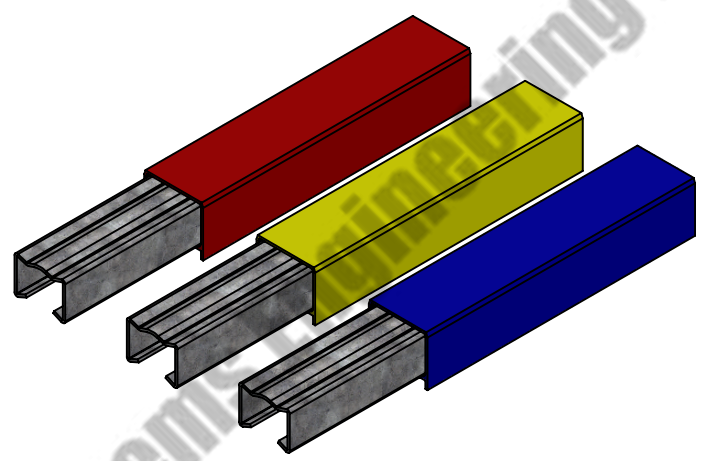


E

E

D

D



C

C

*125AMP-G.I.
03 BAR PIN TYPE (M)
RED YELLOW BLUE
COLOUR PVC*

B

B

COMPANY NAME:



**ANAND SYSTEM
ENGINEERING PVT LTD**

DO NOT SCALE DRAWING.

REVISION:

TITLE:

**SAFELINK 125Amp
RYB GI M-TYPE 2D**

Email id: info@anandcontrol.in

CONTACT NO: 9137620579

FINISH:

DWG NO.

DATE:

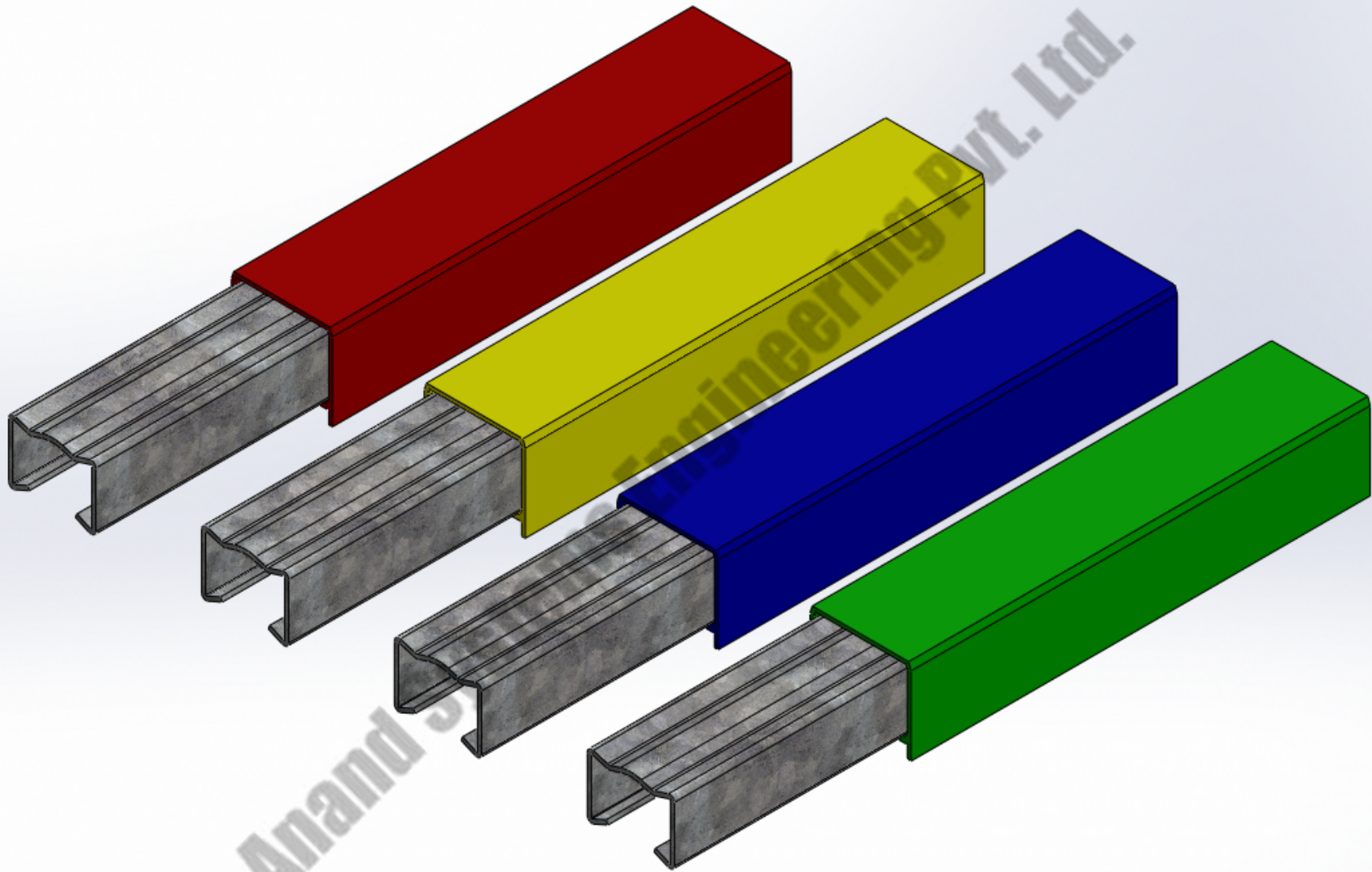
SIGNATURE:

A

A

DRAWN	SAURABH			MATERIAL:			
CHK'D							A
APP'D							
MFG				WEIGHT:		SCALE:	SHEET: 1 OF 1

4 3 2 1



4

3

2

1

F

F

E

E

D

D

C

C

B

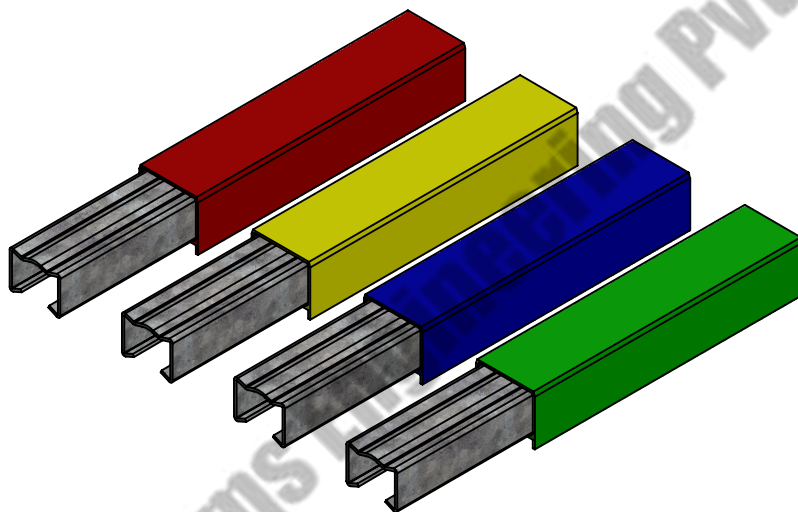
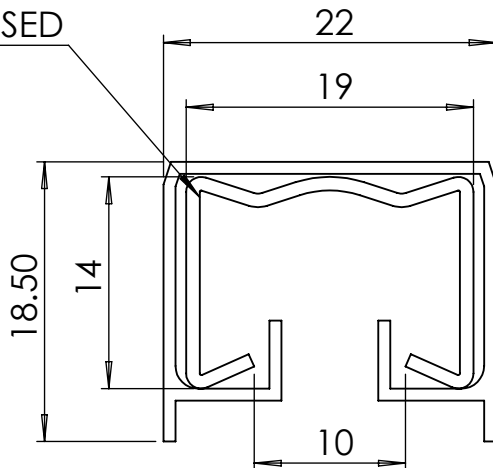
B

A

A

GALVANISED

PVC SLEEVE



*125AMP- GI- 04 BAR PIN
TYPE (M)
RED YELLOW BLUE GREEN
COLOUR PVC*

COMPANY NAME:



**ANAND SYSTEM
ENGINEERING PVT LTD**

DO NOT SCALE DRAWING.

REVISION:

TITLE:

**SAFELINK 125Amp
RYBG GI M-TYPE
2D**

Email id: info@anandcontrol.in

CONTACT NO: 9137620579

FINISH:

DWG NO.

DATE:

SIGNATURE:

DRAWN	SAURABH
CHK'D	
APP'D	
MFG	

MATERIAL:

WEIGHT:

SCALE:

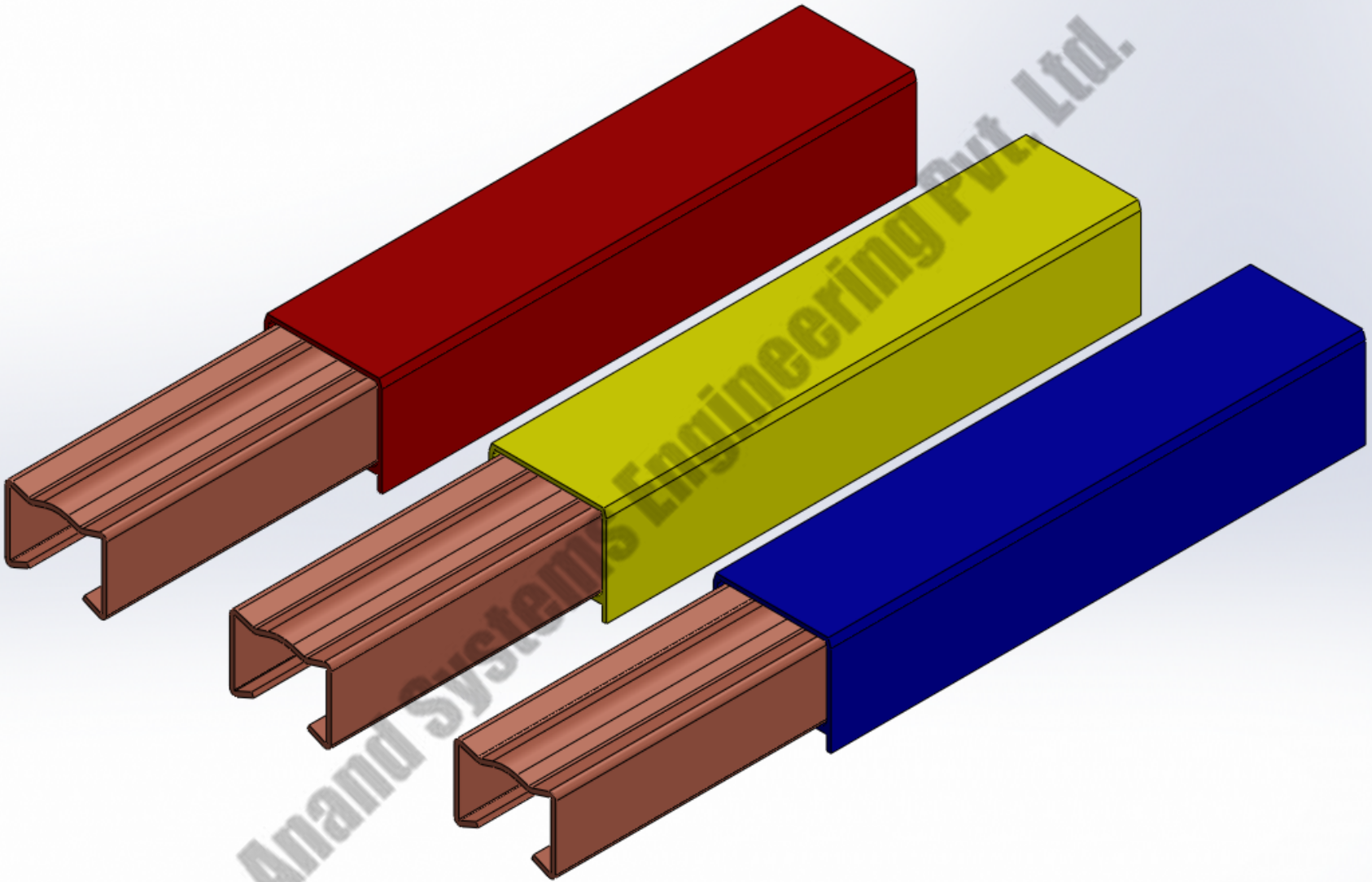
SHEET: 1 OF 1

4

3

2

1



4

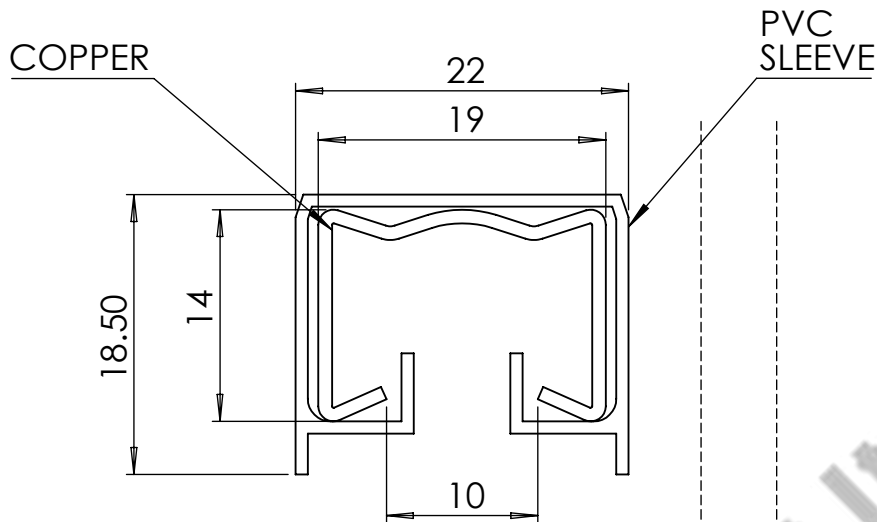
3

2

1

F

F

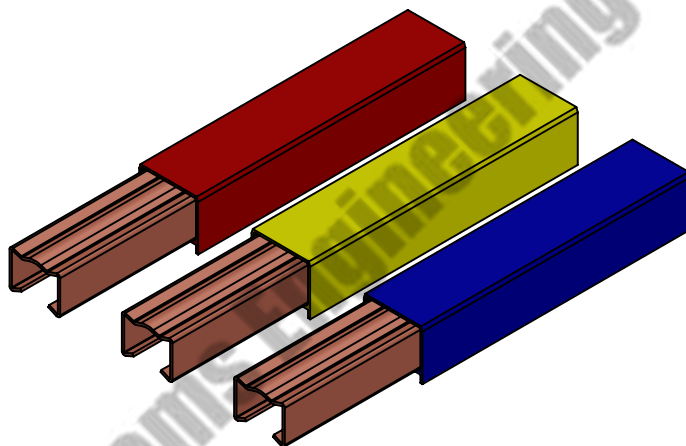


E

E

D

D



C

C

*160AMP- CU- 03
BAR PIN TYPE (M)
RED YELLOW BLUE
COLOUR PVC*

B

B

COMPANY NAME:



**ANAND SYSTEM
ENGINEERING PVT LTD**

DO NOT SCALE DRAWING.

REVISION:

TITLE:

**SAFELINK 160Amp
RYB CU M-TYPE 2D**

Email id: info@anandcontrol.in

FINISH:

CONTACT NO: 9137620579

DWG NO.

A

A

DRAWN	SAURABH
CHK'D	
APP'D	
MFG	

MATERIAL:

DATE:

SIGNATURE:

A

WEIGHT:

SCALE:

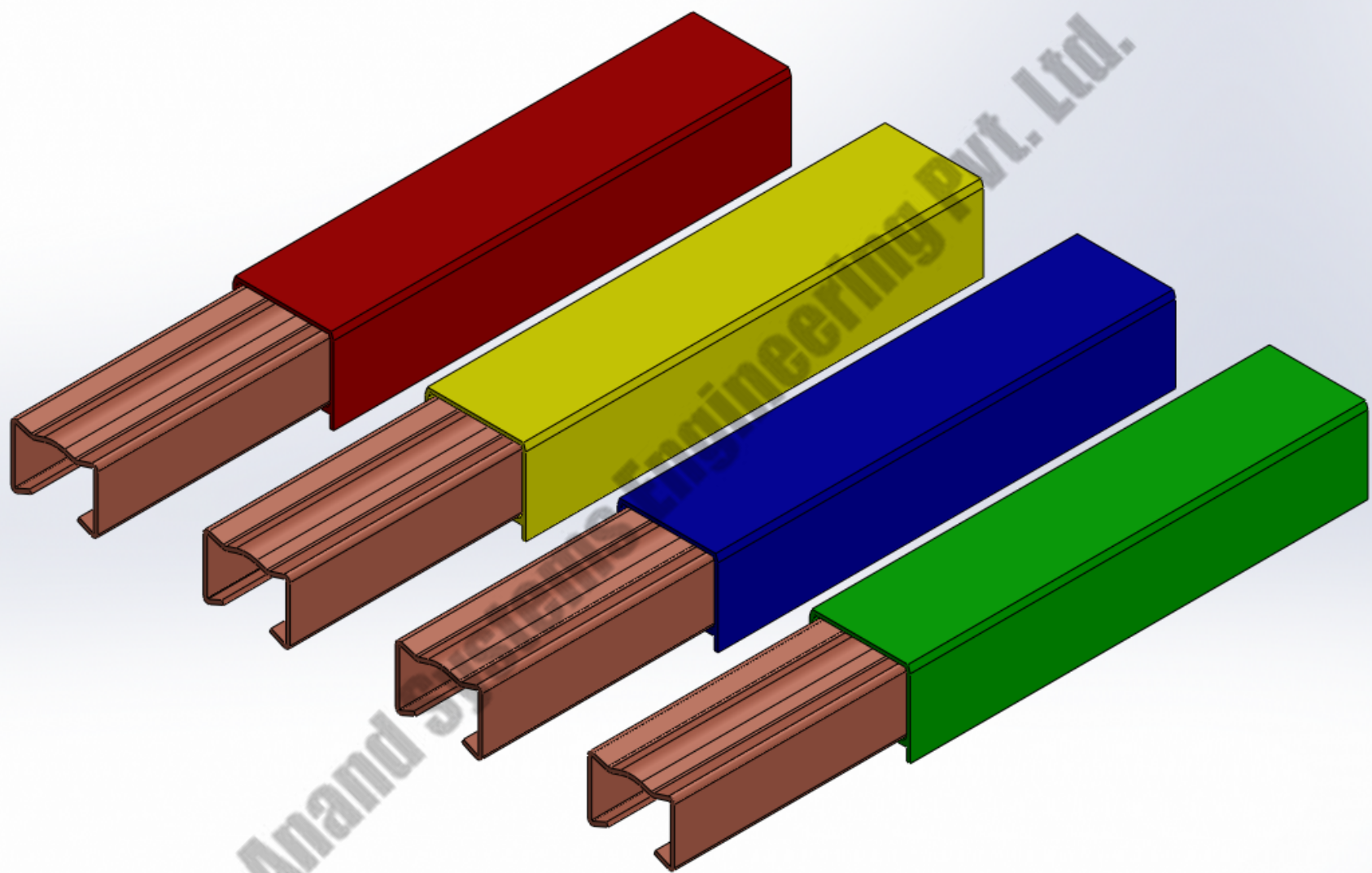
SHEET: 1 OF 1

4

3

2

1



4

3

2

1

F

F

E

E

D

D

C

C

B

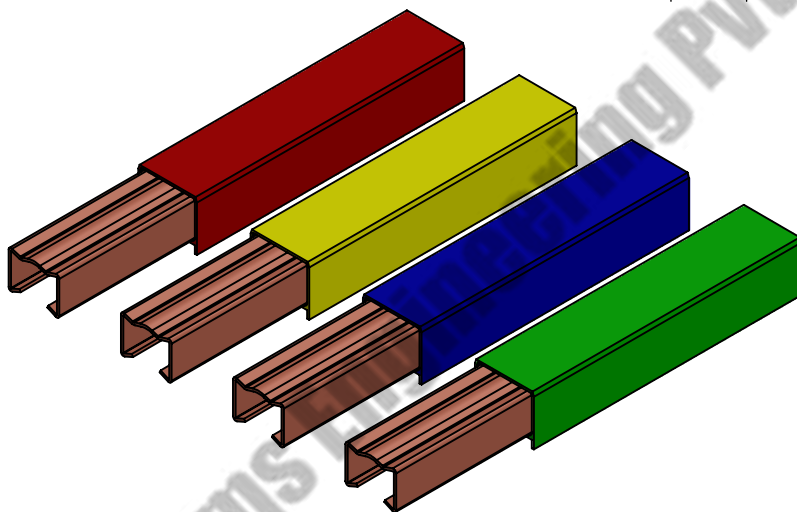
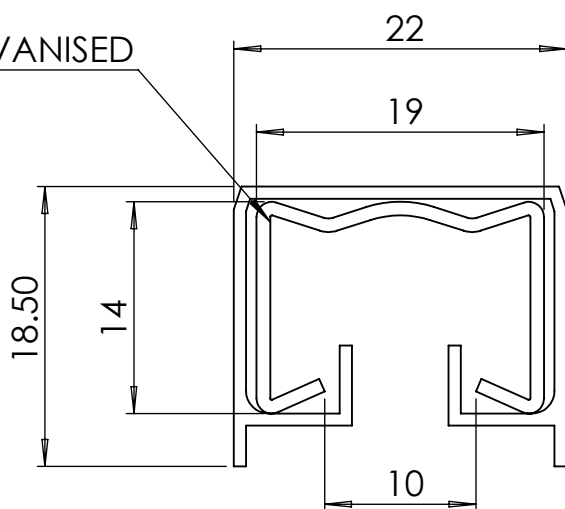
B

A

A

GALVANISED

PVC SLEEVE



*160AMP-CU- 04 BAR PIN
TYPE (M)
RED YELLOW BLUE GREEN
COLOUR PVC*

COMPANY NAME:



**ANAND SYSTEM
ENGINEERING PVT LTD**

DO NOT SCALE DRAWING.

REVISION:

TITLE:

**SAFELINK 160Amp
RYBG CU M-TYPE
2D**

Email id: info@anandcontrol.in

CONTACT NO: 9137620579

FINISH:

DWG NO.

DATE:

SIGNATURE:

A

DRAWN	SAURABH
CHK'D	
APP'D	
MFG	

MATERIAL:

WEIGHT:

SCALE:

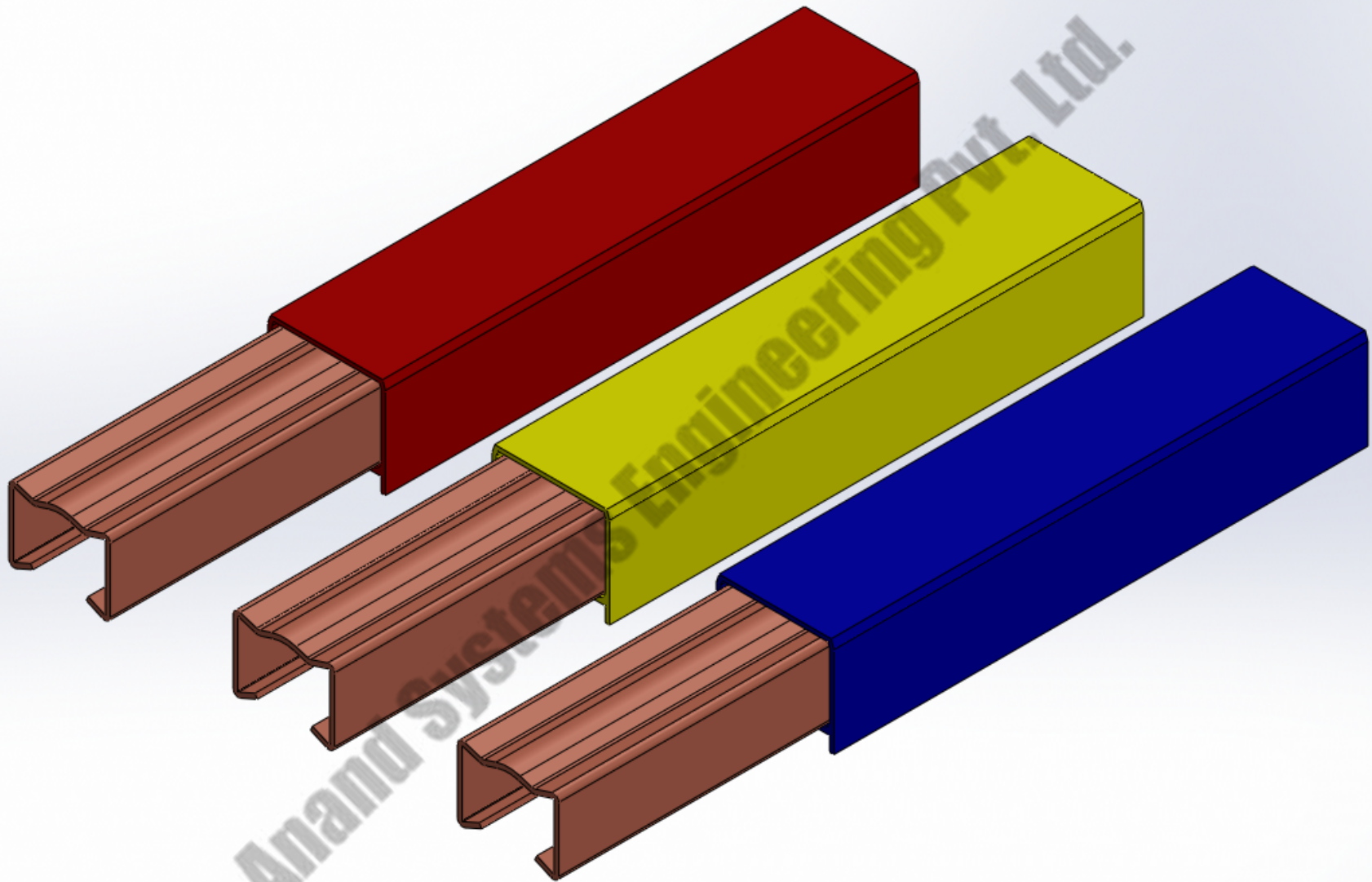
SHEET: 1 OF 1

4

3

2

1



4

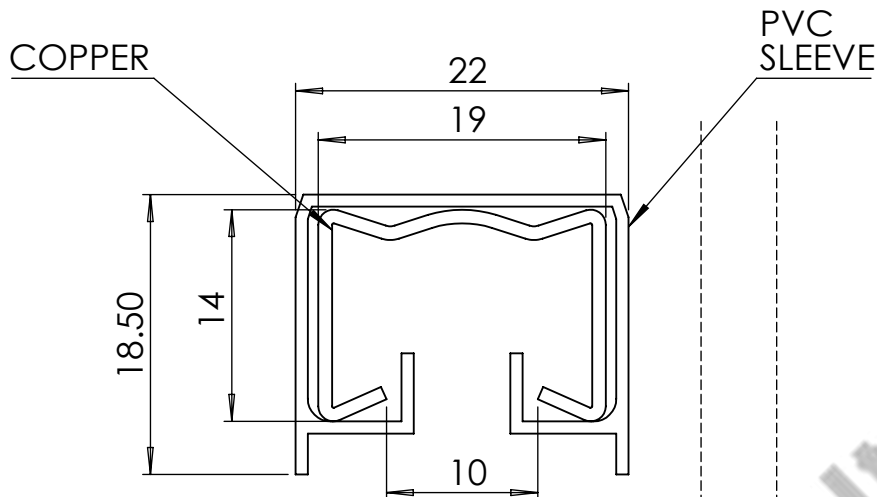
3

2

1

F

F

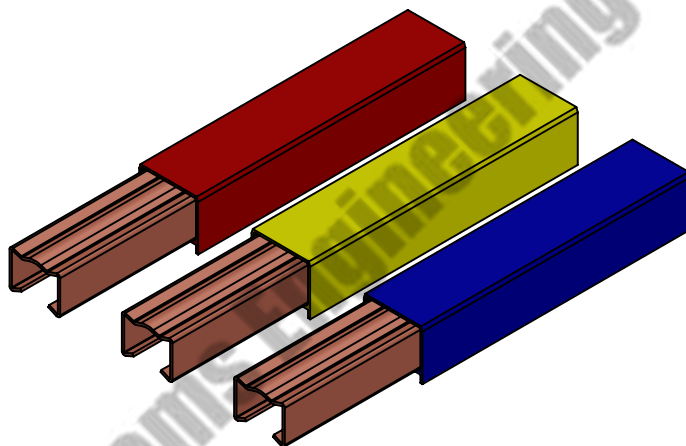


E

E

D

D



C

C

*250AMP- COPPER-
03 BAR PIN TYPE (M)
RED YELLOW BLUE
COLOUR PVC*

B

B

COMPANY NAME:



**ANAND SYSTEM
ENGINEERING PVT LTD**

DO NOT SCALE DRAWING.

REVISION:

TITLE:

**SAFELINK 250Amp
RYB CU M-TYPE 2D**

Email id: info@anandcontrol.in

CONTACT NO: 9137620579

FINISH:

DWG NO.

DATE:

SIGNATURE:

A

A

DRAWN	SAURABH
CHK'D	
APP'D	
MFG	

MATERIAL:

WEIGHT:

SCALE:

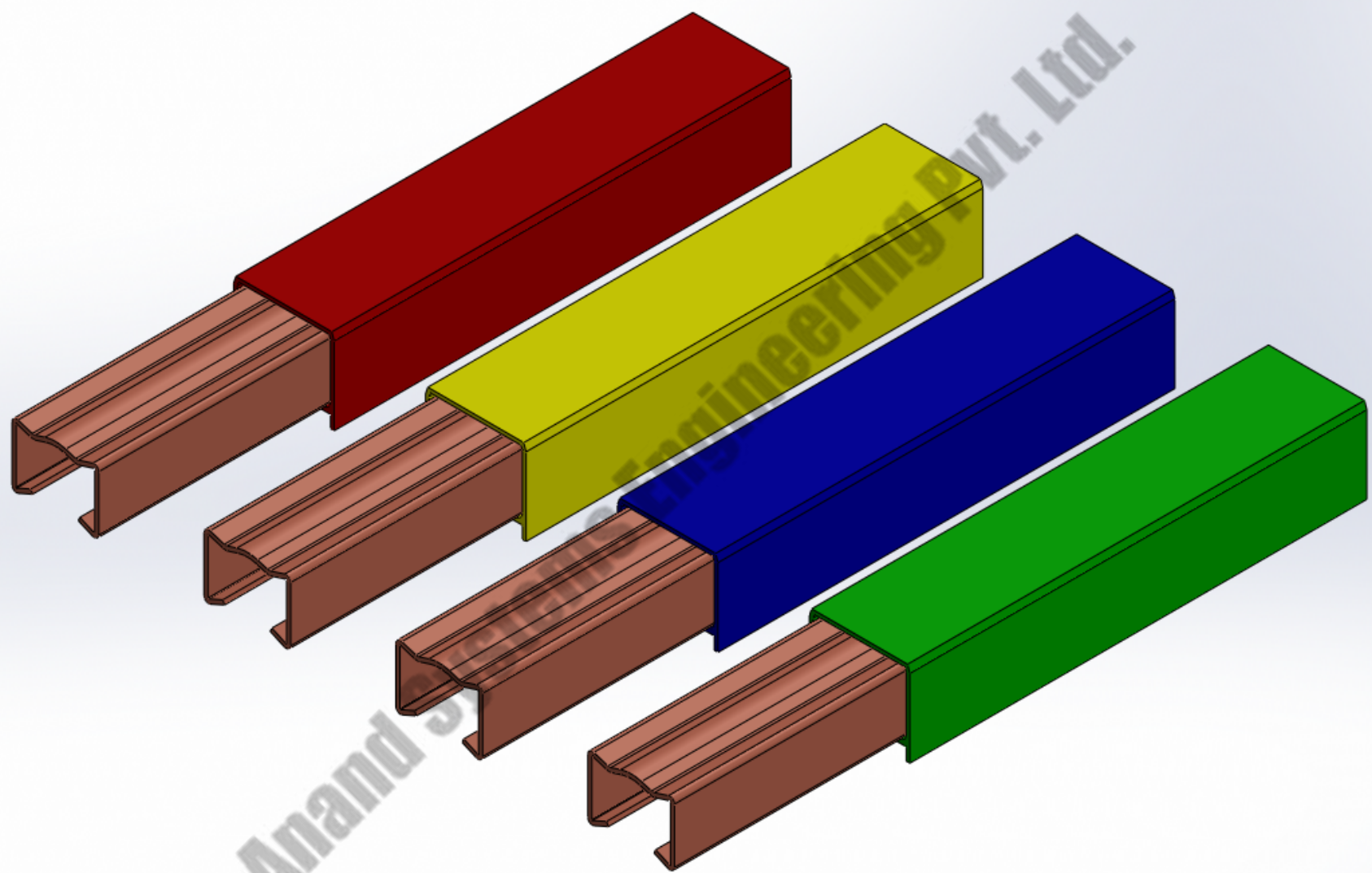
SHEET: 1 OF 1

4

3

2

1



4

3

2

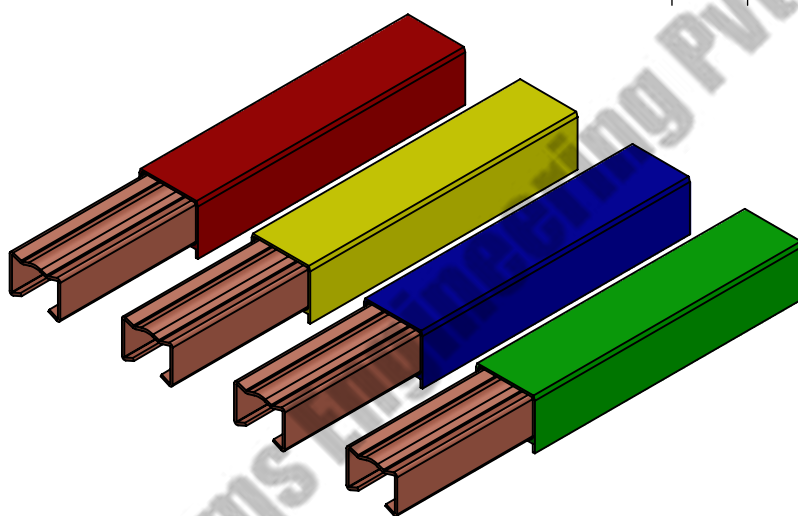
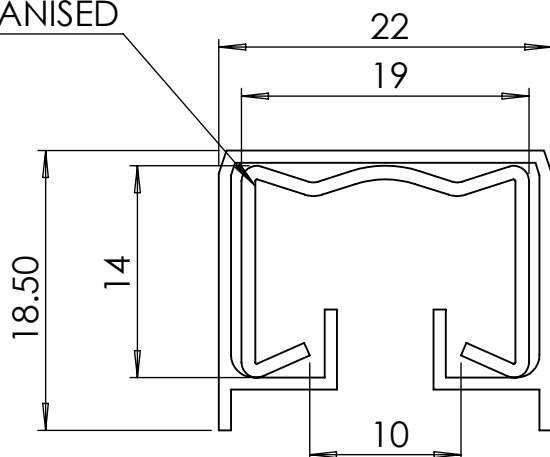
1

F

F

GALVANISED

PVC SLEEVE



*250AMP-CU- 04 BAR PIN
TYPE (M)
RED YELLOW BLUE GREEN
COLOUR PVC*

D

D

C

C

B

B

COMPANY NAME:



**ANAND SYSTEM
ENGINEERING PVT LTD**

DO NOT SCALE DRAWING.

REVISION:

TITLE:

**SAFELINK 250Amp
RYBG CU M-TYPE
2D**

Email id: info@anandcontrol.in

FINISH:

CONTACT NO: 9137620579

DWG NO.

A

A

DRAWN	SAURABH
CHK'D	
APP'D	
MFG	

MATERIAL:

DATE:

SIGNATURE:

A

WEIGHT:

SCALE:

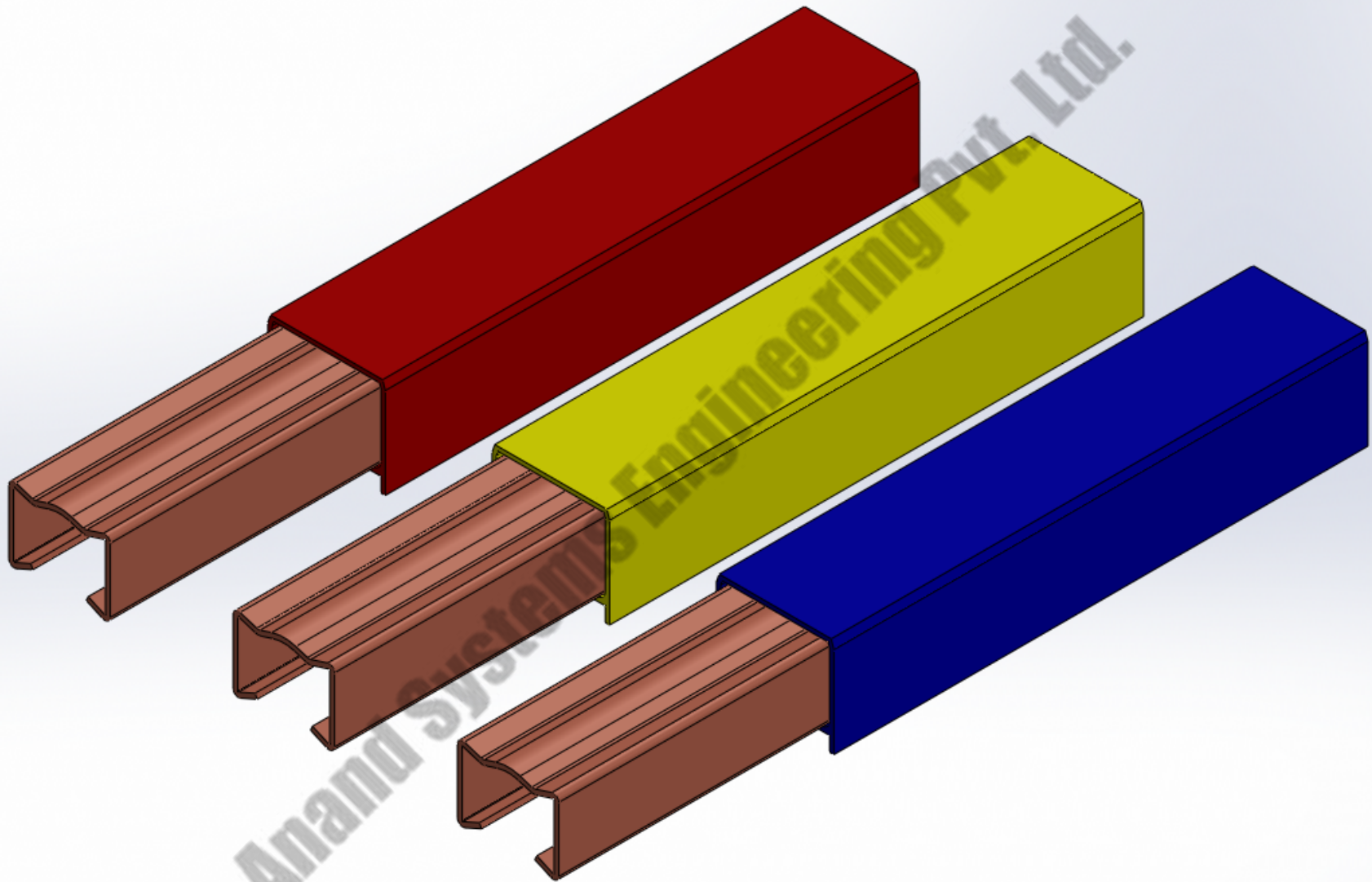
SHEET: 1 OF 1

4

3

2

1



4

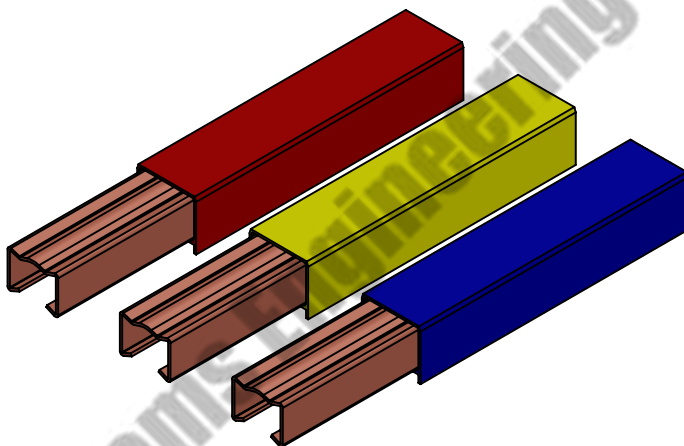
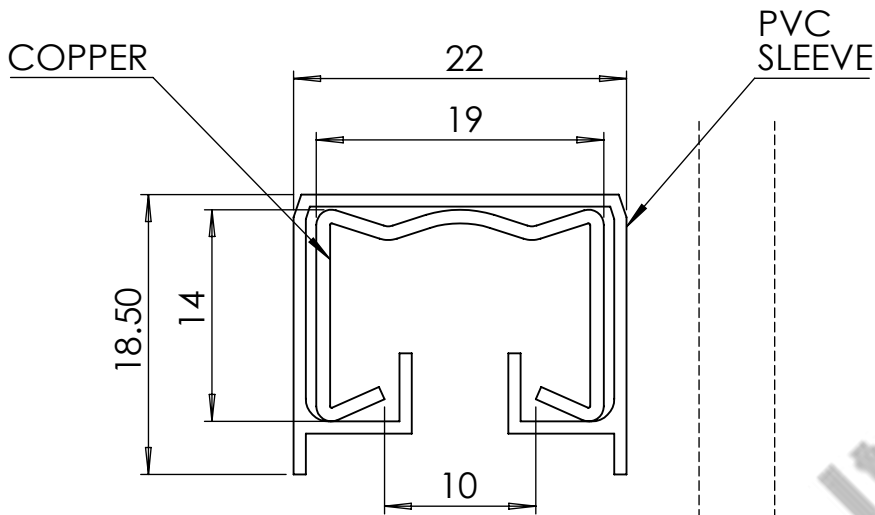
3

2

1

F

F



*315AMP- CU- 03
BAR PIN TYPE (M)
RED YELLOW BLUE
COLOUR PVC*

Anand System Engineering Pvt. Ltd.

B

B

COMPANY NAME:



**ANAND SYSTEM
ENGINEERING PVT LTD**

DO NOT SCALE DRAWING.

REVISION:

TITLE:

**SAFELINK 315Amp
RYB CU M-TYPE 2D**

DWG NO.

Email id: info@anandcontrol.in

FINISH:

CONTACT NO: 9137620579

DATE:

SIGNATURE:

A

A

DRAWN	SAURABH
CHK'D	
APP'D	
MFG	

MATERIAL:

A

WEIGHT:

SCALE:

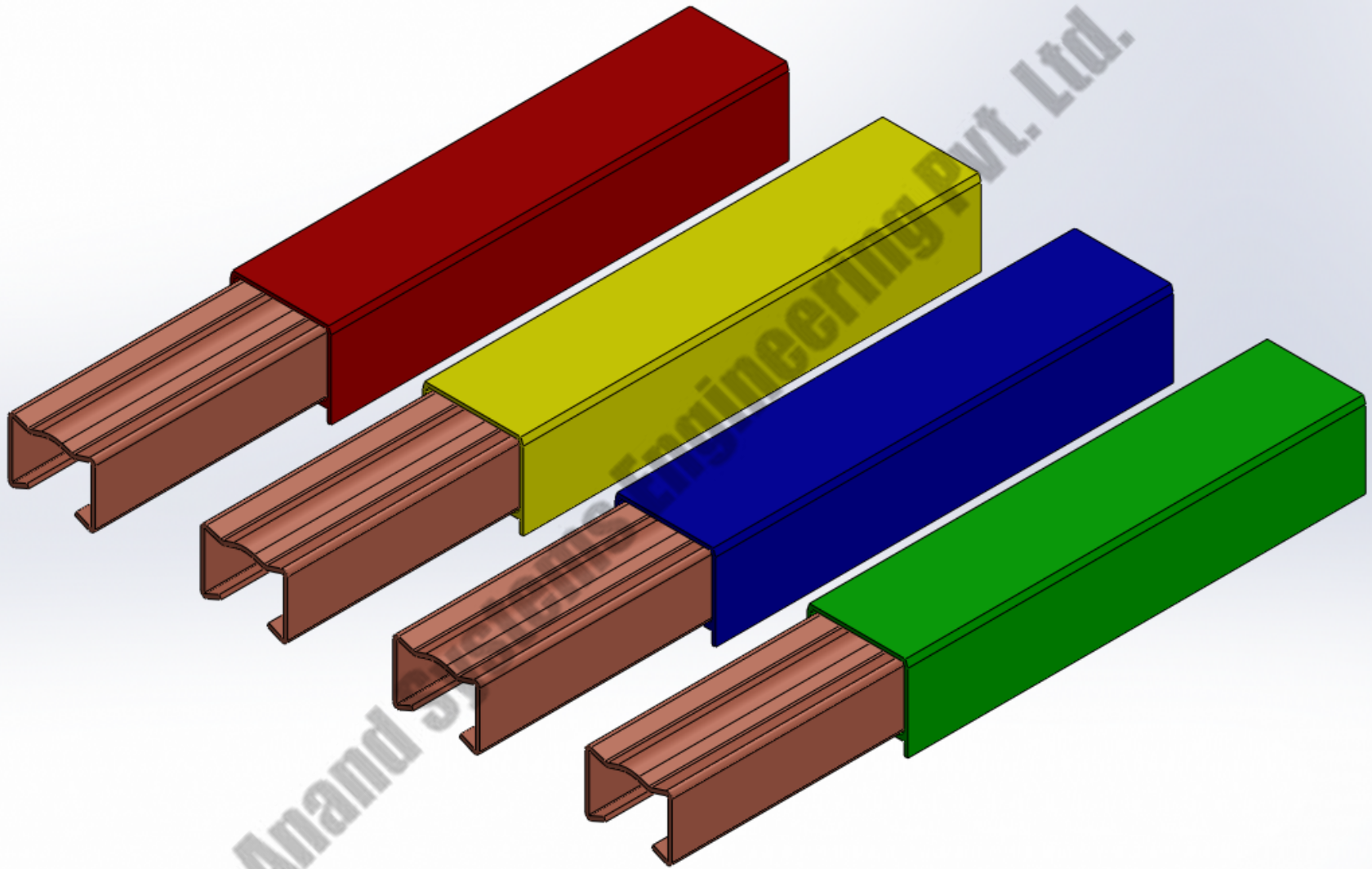
SHEET: 1 OF 1

4

3

2

1



4

3

2

1

F

F

E

E

D

D

C

C

B

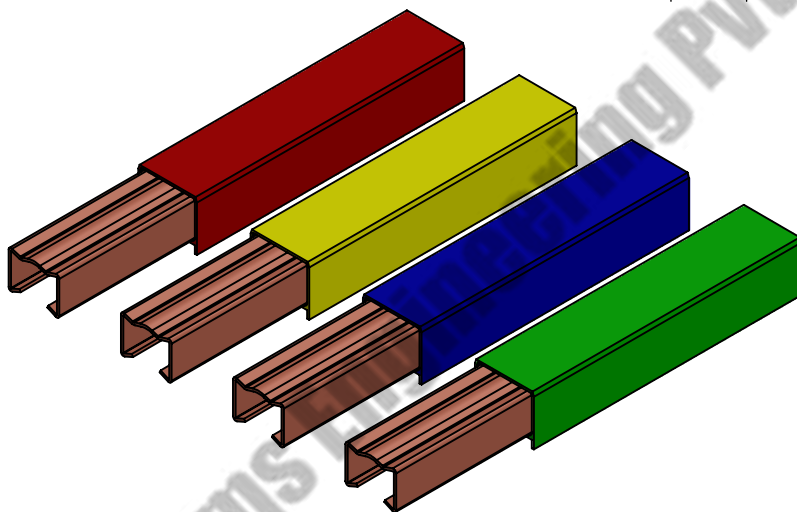
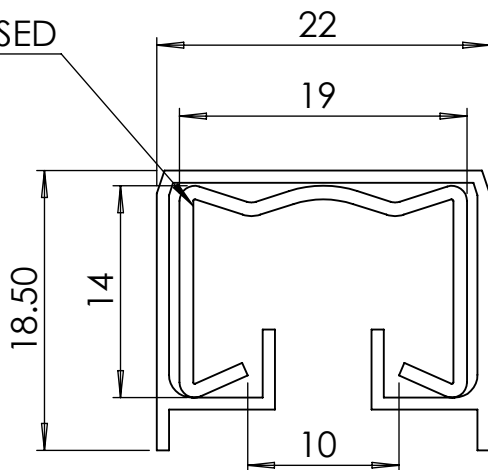
B

A

A

GALVANISED

PVC SLEEVE



*315AMP-CU- 04 BAR PIN
TYPE (M)
RED YELLOW BLUE GREEN
COLOUR PVC*

COMPANY NAME:



**ANAND SYSTEM
ENGINEERING PVT LTD**

DO NOT SCALE DRAWING.

REVISION:

TITLE:

**SAFELINK 315Amp
RYBG CU M-TYPE
2D**

Email id: info@anandcontrol.in

CONTACT NO: 9137620579

FINISH:

DWG NO.

DATE:

SIGNATURE:

DRAWN	SAURABH
CHK'D	
APP'D	
MFG	

MATERIAL:

WEIGHT:

SCALE:

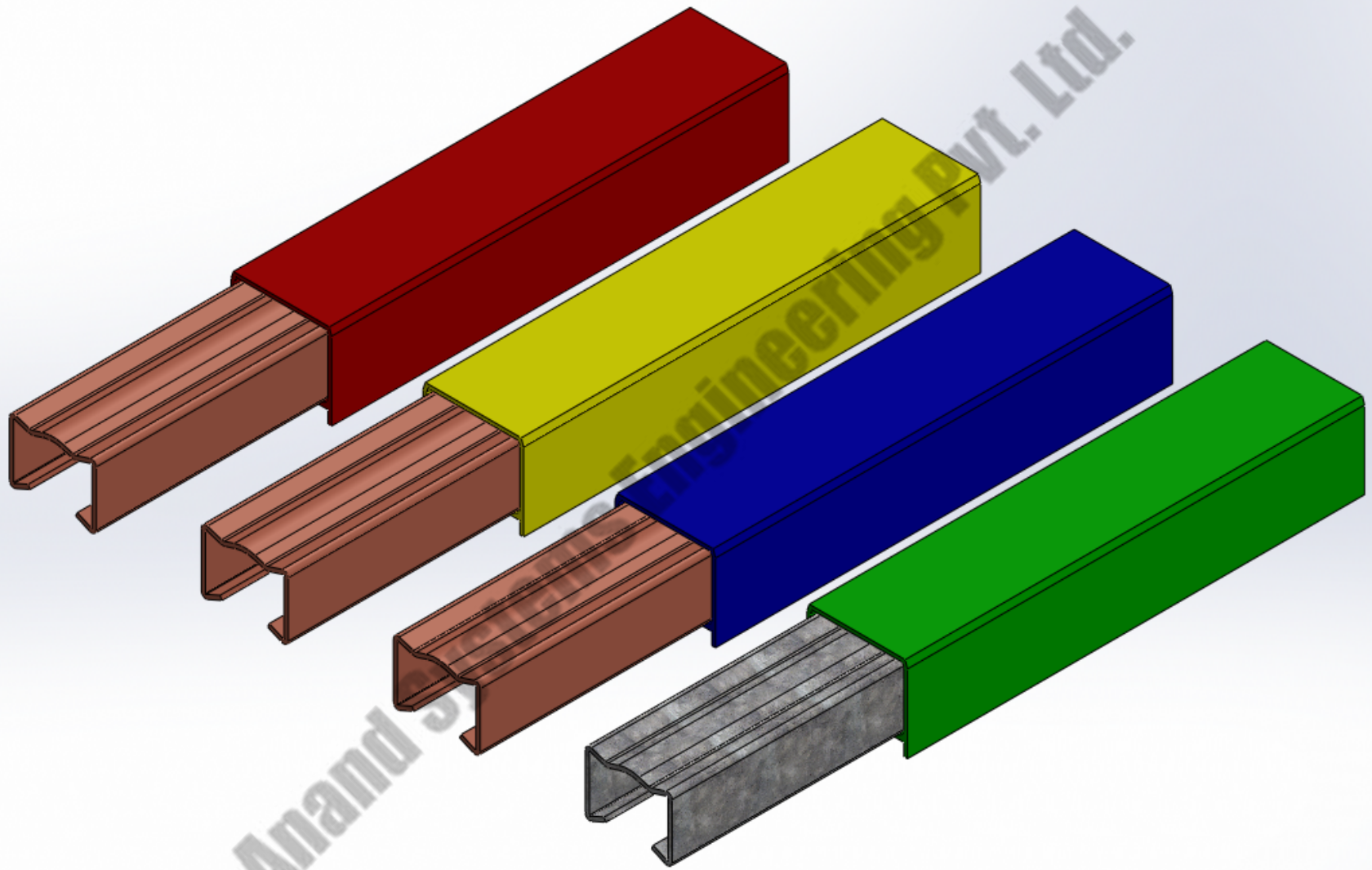
SHEET: 1 OF 1

4

3

2

1



4

3

2

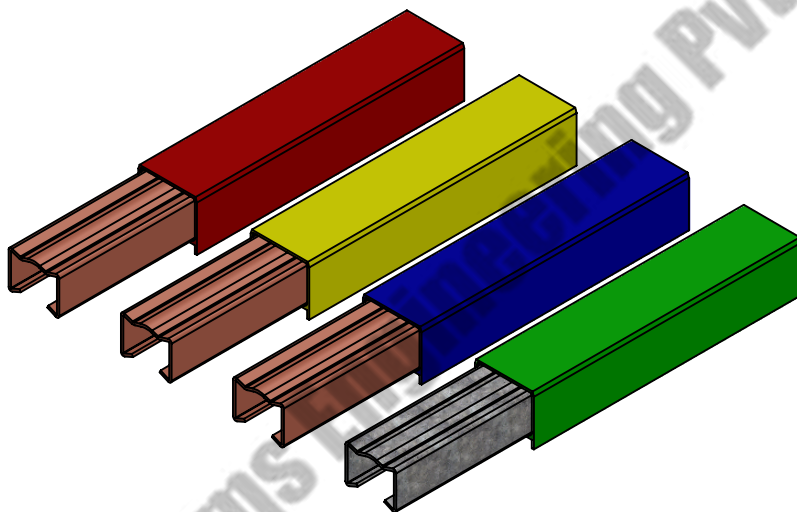
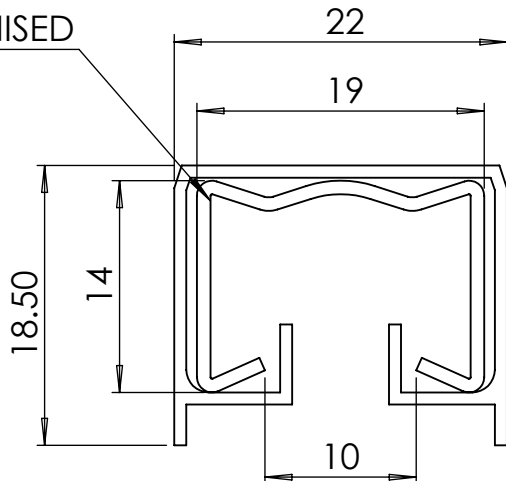
1

F

F

GALVANISED

PVC SLEEVE



315AMP- CU-GI - 04 BAR
 PIN TYPE (M)
 RED YELLOW BLUE GREEN
 COLOUR PVC

D

D

C

C

B

B

COMPANY NAME:



ANAND SYSTEM
 ENGINEERING PVT LTD

DO NOT SCALE DRAWING.

REVISION:

TITLE:

SAFELINK 315Amp
 RYBG CU-GI M-
 TYPE 2D

Email id: info@anandcontrol.in

FINISH:

CONTACT NO: 9137620579

DWG NO.

A

A

DRAWN	SAURABH
CHK'D	
APP'D	
MFG	

MATERIAL:

DATE:

SIGNATURE:

A

WEIGHT:

SCALE:

SHEET: 1 OF 1

4

3

2

1